

STATION SPECIALTIES SERVICE MANUAL

VOLUME I



325-094

OCTOBER 1960

Station Specialties Service Manual Vol I

Comments concerning content, usability, and adequacy of this manual will be welcomed. This sheet may be removed and mailed directly to the Bell System Practices Organization. This sheet is not to be used for ordering manuals. The following page will give you ordering information.

Mail To:

**Bell System
Data Design Engineering Manager
2400 Reynolda Road
Winston-Salem, N. C. 27106**

Orders for these manuals should be placed on:

Western Electric
Indiana Publications Center
P. O. Box 26205
Indianapolis, Indiana 46226

**STATION
SPECIALTIES
SERVICE
MANUAL
VOL I**

Introduction

The practices in this manual provide installation and maintenance information for special apparatus which complements the use of both the Station and Key Telephone Service Manuals. For information not included in this manual, refer to the standard BSP files.

Issue 6, October 1980

TABLE OF CONTENTS

VOL. I

| Section Number | Issue | Subject | Section Number | Issue | Subject |
|-----------------------------------------------|-------------|--------------------------------------|----------------|-------------|---------------------------------------------------------|
| AUTOMATIC DIALERS — TELEPHONE SETS | | | • | 501-164-202 | 3 870B1M and 2870B1M — 32 Adjunct Dial |
| | 502-617-400 | 3 660-Type | • Add | 501-164-203 | 1 |
| Add | 502-617-402 | 1 | • | 501-164-203 | 1 1200AT1 — 12 Adjunct Dial |
| | 502-617-402 | 2 662-Type | • | 501-164-204 | 1 1200AR1 — 12 Adjunct Dial |
| | 502-617-403 | 2 663-Type | • | 503-300-100 | 3 870A1M and 870A2M Telephone Sets — Automatic Dialer |
| | 502-617-405 | 1 660A1M | • | 503-300-101 | 3 2870A1M and 2870A2M Telephone Sets — Automatic Dialer |
| | 502-617-406 | 1 662A1M | • | 503-301-100 | 3 960A01M — 16 Telephone Set |
| | 502-619-400 | 2 2660-Type | • | 503-301-101 | 3 2960A01M — 16 Telephone Set |
| | 502-619-402 | 2 2662-Type | • | 503-400-100 | 1 5001T01A — S Series Telephone Set |
| | 502-619-403 | 1 2663A1 | • | 503-400-200 | 1 5011T01A — S Series Telephone Set |
| • | 502-619-405 | 2 2660A1M | • | 503-603-101 | 4 2872A1M or 2872A2M Telephone Set — Automatic Dialer |
| • | 502-619-406 | 2 2662A1M | • | 503-603-102 | 2 872A1M Telephone Set |
| TOUCH-A-MATIC® TELEPHONE SET AND DIALS | | | | | |
| • | 501-164-201 | 4 870A1 and 2870A1 — 32 Adjunct Dial | | | |

VOL. II

GENERAL

- 512-630-111 2 50A1 Conference Set

SPEAKERPHONE — 3-TYPE

- 512-620-100 7 Speakerphone System — 3-Type

CONNECTIONS

- 512-620-410 3 500R/S, 1500S, and 2500S
- 512-620-415 4 511-, 1511-, and 2511-Type
- 512-620-418 4 558-, 1558-, and 2558-Type
- 512-620-420 4 565-, 1565-, and 2565-Type
- 512-620-440 5 630-, 631-, 1630-, 1631-, 2630-, and 2631-Type
- 512-620-442 3 632-, 1632-, and 2632-Type
- 512-620-460 3 660A1
- 512-620-462 3 662-Type
- 512-620-480 3 752-, 1752-, and 2752-Type
- 512-620-487 2 832-, 833-, 2832-, and 2833-Type
- 512-620-495 3 851- and 2851-Type

SPEAKERPHONE — 4A

- Add 512-700-100 1
- 512-700-100 5 Speakerphone System — 4A

CONNECTIONS

- 512-710-405 3 500S, 500SM, 2500S, and 2500SM
- 512-710-410 5 511- and 2511-Type
- 512-710-412 4 558D, 558F, 558FM, 2558D, and 2558DM
- 512-720-405 4 565- and 2565-Type
- 512-720-406 3 566MD and 566MDM
- 512-730-400 4 630-, 631-, 632-, 634-, 635-, 2630-, 2631-, 2632-, 2634-, and 2535-Type
- 512-730-450 5 660A1, 2660A1, and 2660A1M
- 512-730-455 3 622- and 2662-Type
- 512-740-405 3 702B, 702BM, 2702B, and 2702BM
- 512-740-470 6 830-, 831-, 2830-, and 2831-Type
- 512-740-471 4 832-, 833-, 2832-, and 2833-Type
- 512-740-480 4 851- and 2851-Type
- 512-740-481 2 852- and 2852-Type

KEY EQUIPMENT — ANSWERING AND ANNOUNCEMENT SETS

- 512-314-100 4 Key Equipment — 4A — Identification, Installation, and Maintenance
- 512-314-400 11 Key Equipment — 4A — Common Battery Talking — Common Battery Signaling — Connections

| | Section Number | Issue | Subject |
|---|-----------------------|--------------|--------------------------------------------------------------------------------------------------------------------|
| ● | 514-155-100 | 5 | KS-19245, Lists 1, 13, and 24 — Telephone Answering Set — Identification, Installation, Operation, and Connections |
| ● | Add 514-155-300 | 2 | |
| | 514-155-300 | 3 | KS-19245, List 1 — Telephone Answering Set — Mechanical Adjustment and Maintenance |
| ● | 514-155-301 | 2 | KS-19245, Lists 13 and 24 Telephone Answering Set — Maintenance |

| | Section Number | Issue | Subject |
|--|-----------------------|--------------|----------------------------------------------------------------------------------|
| | 514-210-100 | 5 | KS-16765, List 1 and 2 Announcement Sets — Identification and Maintenance |
| | 514-210-200 | 4 | KS-16765, List 1, 2 Announcement Sets — Installation, Connections, and Operation |

SERVICE

660-TYPE TELEPHONE SETS

1. GENERAL

1.01 These sets are supplied factory wired as a 660A1 only. Modification kits are available for field conversion of the basic set to provide exclusion.

1.02 Reissued to add:

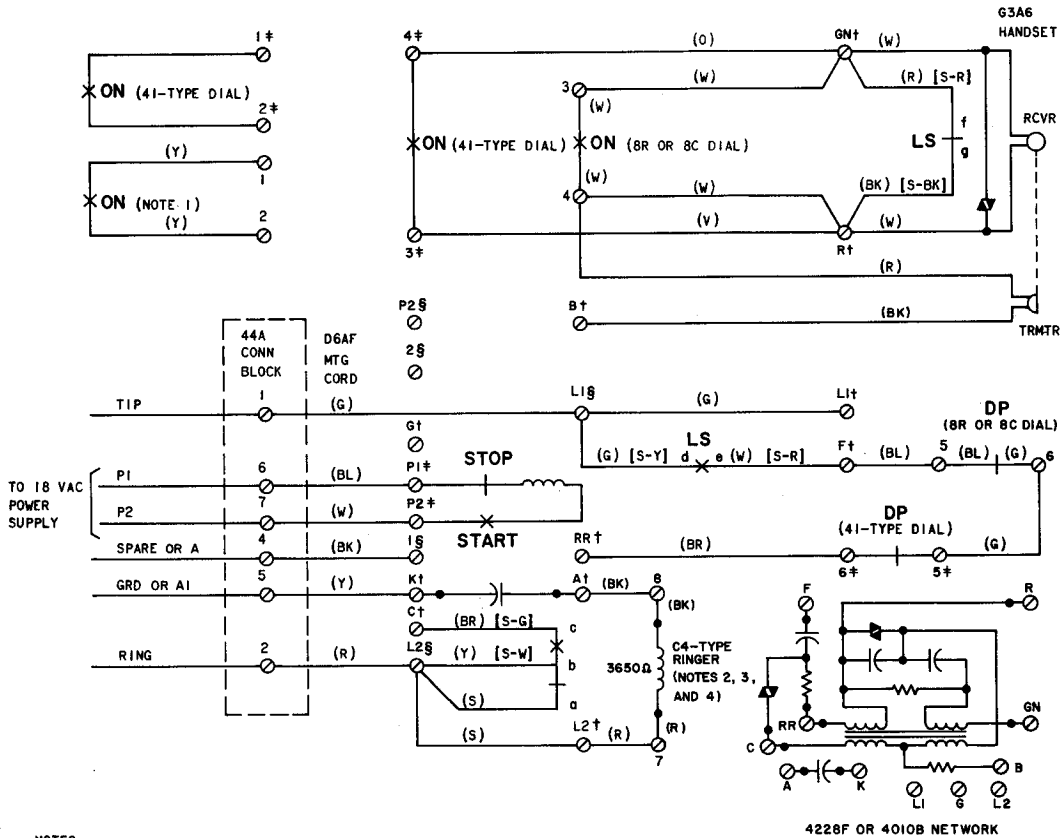
- G3A6 handset
- Key systems lead designation A and A1.

1.03 ♦Refer to Section 502-617-405 for connection information for the 660A1M (modular) telephone set.♦

1.04 ♦For identification and ordering information refer to Reference Section 502-601-120.♦

1.05 For speakerphone connections refer to Division 512.

1.06 ♦To install exclusion switch or for common installation and maintenance information, refer to Section 502-600-102.♦



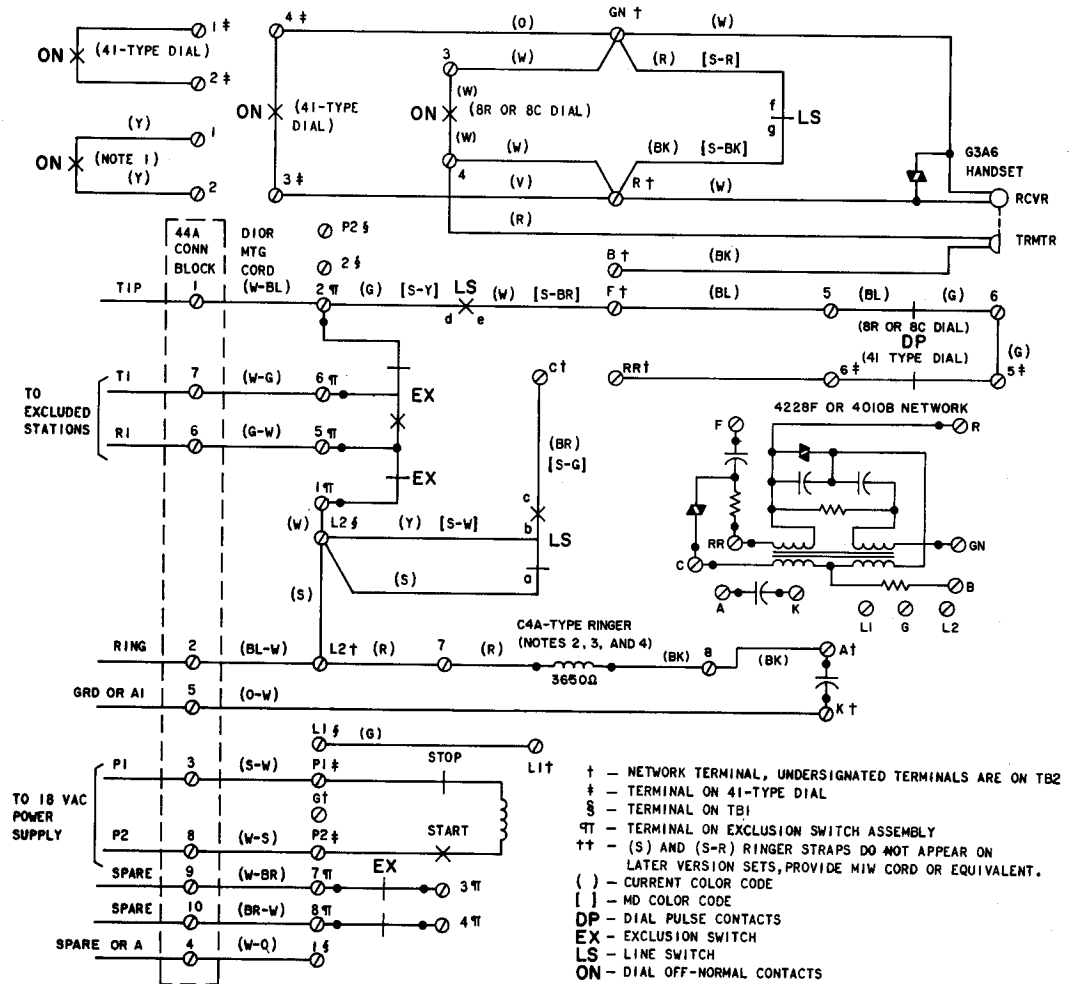
- NOTES:**
- OFF-NORMAL CONTACTS AND ASSOCIATED (Y) LEADS ARE ON 8C DIAL ONLY.
 - IF CAPACITOR IS NOT REQUIRED IN RINGER CIRCUIT MOVE (BK) RINGER LEAD TO TERMINAL K ON NETWORK. FOR LINE AND RINGER CONNECTIONS REFER TO TABLE A.
 - TO SILENCE RINGER PERMANENTLY, REMOVE (BK) RINGER STRAP FROM A OF NETWORK AND CONNECT TO TERMINAL 8 OF TB2.
 - CONNECTIONS FOR C4B RINGER SHOWN. FOR LINE AND RINGER CONNECTIONS REFER TO TABLE A. WHEN C4A RINGER IS PROVIDED CONNECT AS FOLLOWS:

| | |
|---------------------------------|-----------------------------------------------------------|
| (R) RINGER LEAD TO 7 OF TB2. | (R) RINGER STRAP BETWEEN 7 OF TB2 AND L2 OF NETWORK. |
| (BK) RINGER LEAD TO 8 OF TB2. | (BK) RINGER STRAP BETWEEN 8 OF TB2 AND G OF NETWORK. |
| (S) RINGER LEAD TO 9 OF TB2. | RT (S) RINGER STRAP BETWEEN 9 OF TB2 AND K OF NETWORK. |
| (S-R) RINGER LEAD TO 10 OF TB2. | RT (S-R) RINGER STRAP BETWEEN 10 OF TB2 AND A OF NETWORK. |

 C4A RINGER MUST BE USED FOR TIP PARTY IDENTIFICATION. FOR LINE AND RINGER CONNECTIONS REFER TO TABLE B.
 - LINE SWITCH SEQUENCE, HANDSET REMOVED:

| | |
|------------|-------------|
| bc - MAKES | ab - BREAKS |
| de - MAKES | fg - BREAKS |
- () - CURRENT COLOR CODE
 [] - MD COLOR CODE
 † - NETWORK TERMINAL, UNDESIGNATED TERMINALS ARE ON TB2
 ‡ - TERMINAL ON 41-TYPE DIAL
- § - TERMINAL ON TB1
 RT - (S) AND (S-R) RINGER STRAPS DO NOT APPEAR ON LATER VERSION SETS, PROVIDE MIW CORD OR EQUIVALENT.
 DP - DIAL PULSE CONTACTS
 LS - LINE SWITCH
 ON - DIAL OFF-NORMAL CONTACTS

Fig. 1—660A1 Telephone Set, Connections



NOTES:

1. OFF-NORMAL CONTACTS AND ASSOCIATED (Y) LEADS ARE ON 8C DIAL ONLY.
2. IF CAPACITOR IS NOT REQUIRED IN RINGER CIRCUIT MOVE (BK) RINGER STRAP TO K OF NETWORK.
3. TO SILENCE RINGER PERMANENTLY, REMOVE (BK) RINGER STRAP FROM TERMINAL 8 OF TB2 AND CONNECT TO A OF NETWORK.
4. CONNECTIONS FOR C4B RINGER SHOWN. FOR LINE AND RINGER CONNECTIONS REFER TO TABLE C. WHEN C4A RINGER IS PROVIDED CONNECT AS FOLLOWS:

| | |
|--------------------------------|----------------------------------------------------------|
| (R) RINGER LEAD TO 7 OF TB2 | (R) RINGER STRAP BETWEEN 7 OF TB2 AND L2 OF NETWORK |
| (BK) RINGER LEAD TO 8 OF TB2 | (BK) RINGER STRAP BETWEEN 8 OF TB2 AND G OF NETWORK |
| (S) RINGER LEAD TO 9 OF TB2 | †† (S) RINGER STRAP BETWEEN 9 OF TB2 AND K OF NETWORK |
| (S-R) RINGER LEAD TO 10 OF TB2 | †† (S-R) RINGER STRAP BETWEEN 10 OF TB2 AND A OF NETWORK |
5. LINE SWITCH SEQUENCE, HANDSET REMOVED:

| | |
|------------|-------------|
| bc - MAKES | ab - BREAKS |
| de - MAKES | fg - BREAKS |

◆ Fig. 2—660A2 Telephone Set, Connections ◆

TABLE A

LINE AND C4B RINGER CONNECTIONS — 660A1 TELEPHONE SET

| WIRE OR LEAD | | | INDIV OR BRIDGED | RING PARTY | TIP PARTY | 1A1 OR 1A2 KEY TEL SYSTEM (NOTE) |
|-------------------------------|---------------------------------------------|---------------------|------------------------|---------------|-----------------------|-------------------------------------------|
| | | | | | NO IDENT GROUND | |
| Line Wire | Tip Ring Grd A1 A | Connecting Block | 1 | 1 | 1 | 1 |
| | | | 2 | 2 | 2 | 2 |
| Mounting Cord | (G) (R) (Y) (BK) | Connecting Block | 5* | 5 | 5 | 5 |
| | | | 1 | 1 | 2 | 1 |
| Mounting Cord in Set | (G) (R) (Y) (BK) | TB1 | 2 | 2 | 1 | 2 |
| | | | 1 | 5 | 5 | 5 |
| Ringer Leads | (R) (BK) | TB2 | 4 | 4 | 4 | 4 |
| | | | L1 | L1 | L1 | L1 |
| Ringer Straps | (R) (BK) | Net. | L2 | L2 | L2 | L2 |
| | | | A | A | A | A |
| Line Switch | (S) [S-W] (Y) [S-G] (BR) [S-Y] (G) | TB1 | K† | K† | K† | 2 |
| | | | 1 | 1 | 1 | 1 |
| Line Switch | (S) [S-W] (Y) [S-G] (BR) [S-Y] (G) | TB1 | L2 | L2 | L2 | 2 |
| | | | L2 | L2 | L2 | 2 |
| Line Switch | (S) [S-W] (Y) [S-G] (BR) [S-Y] (G) | TB1 | C† | C† | C† | 1 |
| | | | L1 | L1 | L1 | L2 |

* Ground may be omitted if not required for service. Not required for protection of 41-type dial power supply.

† Terminal on network.

() Current color code.

[] MD color code.

Note: Move (G) strap from L1 to C of network and provide M1W strap between C and K of network.

◆ TABLE B ◆

LINE AND C4A RINGER CONNECTIONS — 660A1 TELEPHONE SET

| WIRE OR LEAD | | INDIV OR BRIDGED | RING PARTY | TIP PARTY | | | 1A1 OR 1A2 KEY TEL SYSTEM (NOTE) | |
|----------------------|---------------------------------------------|------------------|----------------------|----------------------|----------------------|----------------------|----------------------------------|-------------------|
| | | | | NO IDENT GROUND | IDENTIFYING GROUND | | | |
| | | | | | 1000Ω | 2650Ω | | |
| Line Wire | Tip Ring Grd A1 A | Connecting Block | 1 2 5* | 1 2 5 | 1 2 5 | 1 2 5 | 1 2 5 4 | |
| Mounting Cord | (G) (R) (Y) (BK) | | 1 2 1 4 | 1 2 5 4 | 2 1 5 4 | 2 1 5 4 | 2 1 5 4 | 1 2 5 4 |
| Mounting Cord in Set | (G) (R) (Y) (BK) | TB1 | L1 L2 G† 1 | L1 L2 G† 1 | L1 L2 G† 1 | L1 L2 G† 1 | L1 L2 2 1 | |
| Ringer Leads | (R) (BK) (S) (S-R) | TB2 | 7 8 9 10 | 7 8 9 10 | 7 8 9 10 | 7 8 9 10 | 7 8 9 10 | |
| Ringer Straps ‡ | (R) (BK) (S) (S-R) | Net. | L2 G K A | L2 G K A | L2 G K A | K G B B | B B K G | L2 C K A |
| Line Switch | (S) {S-W} (Y) {S-G} (BR) {S-Y} (G) | TB1 | L2 L2 C† L1 | L2 L2 C† L1 | L2 L2 C† L1 | A† L2 C† L1 | A† L2 C† L1 | 2 2 1 L2 |

* Ground may be omitted if not required for service. Not required for protection of 41-type dial power supply.

† Terminals on network.

‡ (S) and (S-R) ringer straps do not appear on later version sets, provide M1W cord or equivalent.

() Current color code.

{ } MD color code.

Note: Move (G) strap from L1 of network to C of network.

TABLE C

LINE AND C4B RINGER CONNECTIONS — 660A2 TELEPHONE SET

| WIRE OR LEAD | | | INDIV OR BRIDGED | RING PARTY | TIP PARTY | 1A1 OR 1A2 KEY TEL SYSTEM |
|-------------------------------|---------------------------------------------|---------------------|------------------------|-----------------------|-----------------------|---------------------------------|
| | | | | | NO IDENT GROUND | |
| Line Wire | Tip Ring Grd A1 A | Connecting Block | 1 | 1 | 1 | 1 |
| | | | 2 5* | 2 5 | 2 5 | 2 5 4 |
| Mounting Cord | (W-BL) (BL-W) (O-W) (W-O) | | 1 | 1 | 2 | 1 |
| | | | 2 1 4 | 2 5 4 | 1 5 4 | 2 5 4 |
| Mounting Cord in Set | (W-BL) (BL-W) (O-W) (W-O) | | 2† L2‡ K‡ 1§ | 2† L2‡ K‡ 1§ | 2† L2‡ K‡ 1§ | 2† L2‡ L2§ 1§ |
| Ringer Leads | (R) (BK) | TB2 | 7 8 | 7 8 | 7 8 | 7 8 |
| Ringer Straps | (R) (BK) | Net. | L2 A | L2 A | L2 A | L2 A |
| Line Switch | (S) (S-W) (Y) (S-G) (BR) (S-Y) (G) | TB1 | L2 L2 C‡ 2† | L2 L2 C‡ 2† | L2 L2 C‡ 2† | L2 L2 1 L2‡ |
| Straps | (S) | L2§ to L2‡ | L2§ to L2‡ | L2§ to L2‡ | L2§ to L2‡ | 1† to L2‡ |
| | (W) | L2§ to 1† | L2§ to 1† | L2§ to 1† | L2§ to 1† | 2† to C‡ |

* Ground may be omitted if not required for service. Not required for protection of 41-type dial power supply.

† Terminal on exclusion switch terminal board.

‡ Terminals on network.

§ TB1.

() Current color code.

[] MD color code.

◆ TABLE D ◆

LINE AND C4A RINGER CONNECTIONS — 660A2 TELEPHONE SET

| WIRE OR LEAD | | | INDIV OR BRIDGED | RING PARTY | TIP PARTY | | | 1A1 OR 1A2 KEY TEL SYSTEM |
|----------------------|---------------------------------------------|------------------|-----------------------|-----------------------|-----------------------|-----------------------|-------------------------|---------------------------|
| | | | | | NO IDENT GROUND | IDENTIFYING GROUND | | |
| | | | | | | 1000Ω | 2650Ω | |
| Line Wire | Tip Ring Grd A1 A | Connecting Block | 1 2 5* | 1 2 5 | 1 2 5 | 1 2 5 | 1 2 5 4 | |
| Mounting Cord | (W-BL) (BL-W) (O-W) (W-O) | | 1 2 1 4 | 1 2 5 4 | 2 1 5 4 | 2 1 5 4 | 2 1 5 4 | 1 2 5 4 |
| Mounting Cord in Set | (W-BL) (BL-W) (O-W) (W-O) | | 2† L2† G† 1§ | 2† L2† G† 1§ | 2† L2† G† 1§ | 2† L2† G† 1§ | 2† L2† L2§ L2§ | |
| Ringer Leads | (R) (BK) (S) (S-R) | TB2 | 7 8 9 10 | 7 8 9 10 | 7 8 9 10 | 7 8 9 10 | 7 8 9 10 | |
| Ringer Straps†† | (R) (BK) (S) (S-R) | Net. | L2 G K A | L2 G K A | L2 G K A | K G B B | B B K G | |
| Line Switch | (S) (S-W) (Y) (S-G) (BR) (S-Y) (G) | TB1 | L2 L2 C† 2† | L2 L2 C† 2† | L2 L2 C† 2† | A† L2 C† 2† | A† L2 C† 2† | |
| Straps | (S) | L2§ to L2† | L2§ to L2† | L2§ to L2† | L2§ to L2† | L2§ to L2† | L2§ to L2† | 1† to L2† |
| | (W) | L2§ to 1† | L2§ to 1† | L2§ to 1† | L2§ to 1† | L2§ to 1† | L2§ to 1† | 2† to C† |

* Ground may be omitted if not required for service. Not required for protection of 41-type dial power supply.

† Terminal on exclusion switch terminal board.

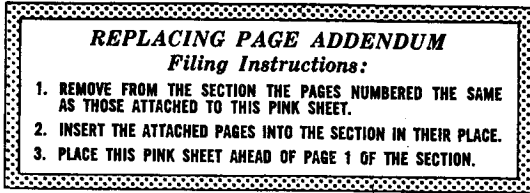
‡ Terminal on network.

§ TB1.

†† (S) and (S-R) ringer straps do not appear on later version sets, provide M1W cord or equivalent.

() Current color code.

[] MD color code.



SERVICE
662-TYPE TELEPHONE SETS

1. GENERAL

1.001 This addendum supplements Section 502-617-402, Issue 2. The attached pages must be inserted in accordance with the filing instructions above.

1.002 This addendum is issued to reference Section 502-601-130 for ordering and installation information and Section 501-163-101 for power supply connections to 41-type dial.

Attached:

Page 1 dated March 1974, Revised
Page 2 dated March 1974, Reissued

1. GENERAL

The following change applies to Part 1 of this section:

(a) 1.02—revised

SERVICE

662-TYPE TELEPHONE SETS

1. GENERAL

1.01 This section is reissued to include the KS-20419L1 buzzer.

1.02 These sets are supplied factory-wired as 662A1 only. For conversion to 662A2 or 662A3 the appropriate key must be ordered and installed separately. Modification kits are available for field conversion to provide exclusion (662A4, 662A5, or 662A6 codes). For ordering and installation information, refer to Section 502-601-130. For power supply connections to the 41-type dial, refer to Section 501-163-101. Speakerphone connections are shown in Division 512.

1.03 When a 662-type telephone set is not used as a speakerphone set and is multiplied with any other set capable of furnishing speakerphone feature, speakerphone leads must be disconnected, insulated, and stored either at the telephone set or at the multiplying point. If not disconnected, the speakerphone leads will provide a common connection between the circuits of the multiplied telephone sets.

1.04 ♦Current sets are factory-equipped with a KS-20419L1 (10 volt AC only) buzzer wired to the (BL-V) (V-BL) cord conductors. These conductors should be used when adding buzzer in the field.♦

TABLE A
PICKUP-SIGNAL KEY CONVERSION — 662A1 OR 662A4 TELEPHONE SET

| CONVERSION OPTIONS | 657A OR 599A KEY LEADS | | | | | |
|-----------------------|------------------------|-------|-------|---------|---------|--------|
| | (O-W) | (S-W) | (G-R) | (BL-BK) | (BR-BK) | (BR-W) |
| HPPPPP (Note) | A2 | A2 | A2 | A2 | A2 | 5 |
| HPPPPS | A2 | A2 | A2 | A2 | SG | 5 |
| HPPSSS | A2 | A2 | A2 | SG | SG | 5 |
| HPPSSS | A2 | A2 | SG | SG | SG | 5 |
| HPPPP*S* | A2 | A2 | A2 | S1 | A2† | S1 |
| HPPPP*S* | A2 | A2 | S1 | S1 | A2† | S1 |
| HPPPP*S* | A2 | S1 | S1 | S1 | A2† | S1 |

* These arrangements use line switch controlled ground for common signal key used with private or intercommunicating lines. Common signal should be used to operate a common signal relay. Do not wire directly to a buzzer. Fig. 2 or 3 shows line switch lead terminations.

† For 1A KTS connect (BR-BK) key lead to BL terminal.

Note: 657A or 599A key as furnished in 662A1 telephone set. To convert from pickup (locking) to signal (nonlocking) remove the P-10E837 screw from the plunger at the key position being converted.

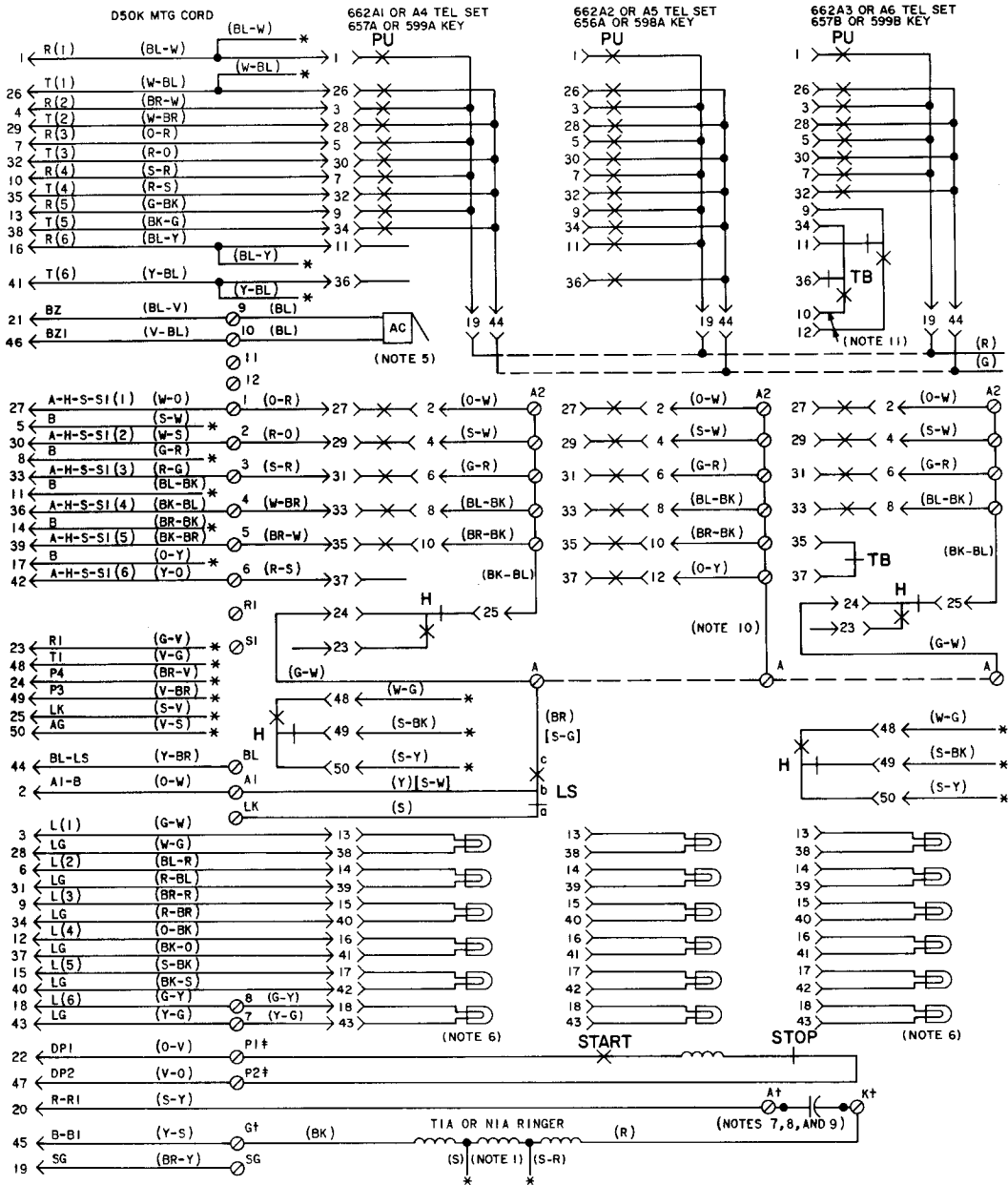


Fig. 1—662-Type Telephone Set, Connections (Sheet 1 of 2)†

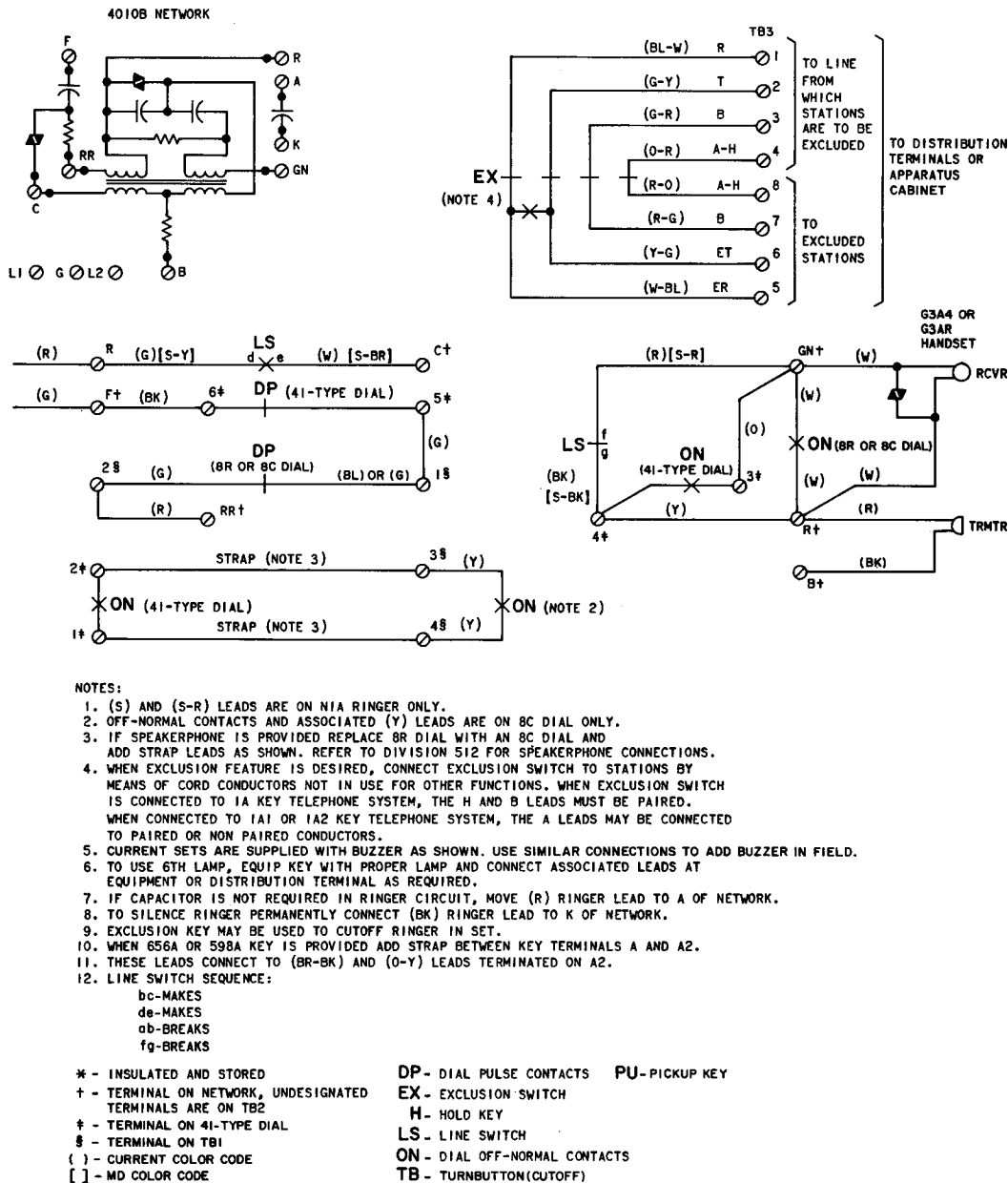
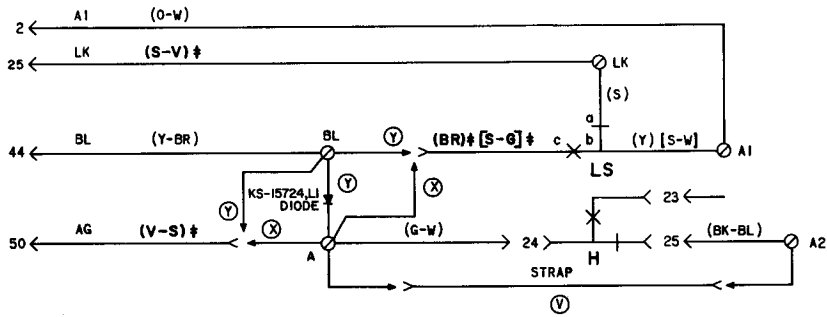
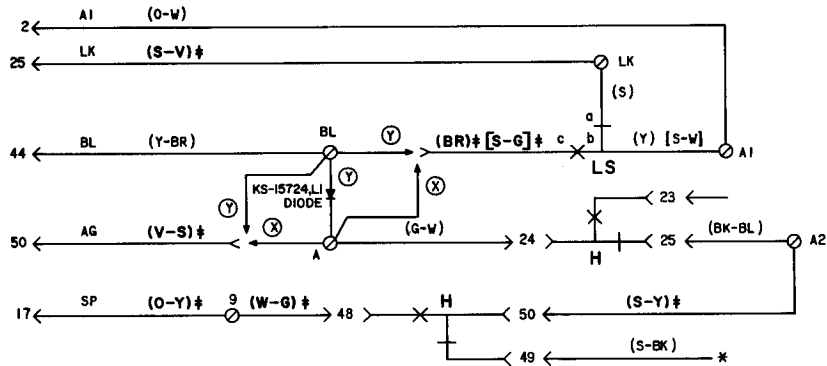


Fig. 1—662-Type Telephone Set, Connections (Sheet 2 of 2)¶



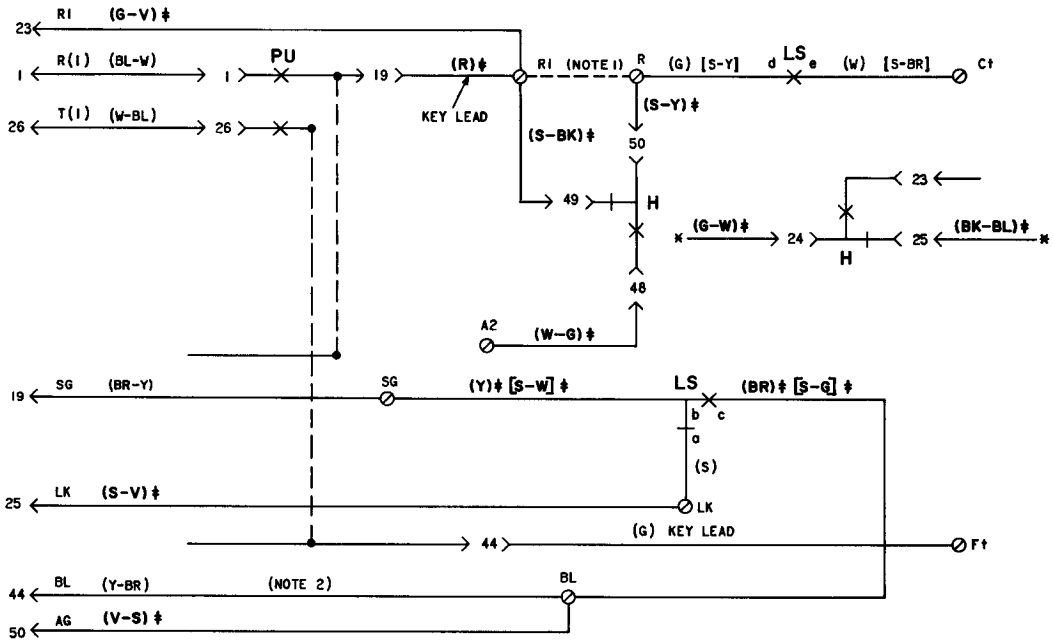
(A) WITHOUT I HOLD



(B) WITH I HOLD

- LS - LINESWITCH
- H - HOLD KEY
- (X) - WITHOUT BUSY LAMP
- (Y) - WITH BUSY LAMP
- (V) - ADD STRAP WHEN 656A OR 598A KEY IS FURNISHED
- () - CURRENT COLOR CODE
- [] - MD COLOR CODE
- x - INSULATED AND STORED
- ‡ - LEADS INVOLVED IN MODIFICATION

Fig. 2—1A1 or 1A2 KTS—I Hold and/or Station Busy Lamp Modification



NOTES:

1. WHEN 656A OR 598A KEY IS USED PLACE STRAP BETWEEN R AND R1.
2. IF STATION BUSY LAMP IS NOT PROVIDED, REMOVE (Y-BR) MOUNTING CORD LEAD FROM BL TERMINAL, INSULATE AND STORE.

- () - CURRENT COLOR CODE
- [] - MD COLOR CODE
- H - HOLD KEY
- LS - LINE SWITCH
- PU - PICKUP KEY
- * - INSULATE AND STORE
- † - TERMINAL ON NETWORK, UNDESIGNATED TERMINALS ARE ON TB2.
- ‡ - LEADS INVOLVED IN MODIFICATION

Fig. 3—662-Type Telephone Set Converted For 1A KTS—With or Without Busy Lamp or Speakerphone

TABLE B

PICKUP-SIGNAL KEY CONVERSION — 662A2 OR 662A5 TELEPHONE SET

| CONVERSION OPTIONS | 656A OR 598A KEY LEADS | | | | | | |
|--------------------|------------------------|-------|-------|---------|---------|-------|-------|
| | (O-W) | (S-W) | (G-R) | (BL-BK) | (BR-BK) | (O-Y) | (R-S) |
| PPPPPP (Note) | A2 | A2 | A2 | A2 | A2 | A2 | 6 |
| PPPPPS | A2 | A2 | A2 | A2 | A2 | SG | 6 |
| PPPPSS | A2 | A2 | A2 | A2 | SG | SG | 6 |
| PPSSSS | A2 | A2 | A2 | SG | SG | SG | 6 |
| PPSSSS | A2 | A2 | SG | SG | SG | SG | 6 |
| PPPPPS* | A2 | A2 | A2 | A2 | S1 | A2† | S1 |
| PPPPPS* | A2 | A2 | A2 | S1 | S1 | A2† | S1 |
| PPPPPS* | A2 | A2 | S1 | S1 | S1 | A2† | S1 |
| PPPPPS* | A2 | S1 | S1 | S1 | S1 | A2† | S1 |

* These arrangements use line switch controlled ground for common signal key used with private or intercommunicating lines. Common signal should be used to operate a common signal relay. Do not wire directly to a buzzer. Fig. 2 or 3 shows line switch lead terminations.

† For 1A KTS connect (O-Y) key lead to BL terminal.

Note: When field installed, connect 656A or 598A key as shown unless converted. To convert from pickup (locking) to signal (nonlocking) remove the P-10E837 screw from the plunger at the key position being converted.

◆ TABLE C ◆

PICKUP-SIGNAL KEY CONVERSION — 662A3 OR 662A6 TELEPHONE SET

| CONVERSION OPTIONS | 657B OR 599B KEY LEADS | | | | | | | | |
|--------------------|------------------------|-------|-------|---------|--------|--------|-----------|---------|-------|
| | (O-W) | (S-W) | (G-R) | (BL-BK) | (W-BR) | (Y-BL) | (BL-Y) | (BR-BK) | (O-Y) |
| HPPPPC(Note) | A2 | A2 | A2 | A2 | 4 | † | † | A2 | A2 |
| HPPPPC | A2 | A2 | A2 | SG | 4 | † | † | A2 | A2 |
| HPPSSC | A2 | A2 | SG | SG | 4 | † | † | A2 | A2 |
| HPPPS* | A2 | A2 | S1 | A2§ | S1 | † | † | A2 | A2 |
| HPPPS* | A2 | S1 | S1 | A2§ | S1 | † | † | A2 | A2 |
| HPPPPC(1) | A2 | A2 | A2 | A2 | 4 | † | † | A2 | A2 |
| HPPPPC(2) | A2 | A2 | A2 | A2 | 4 | TB1-7† | A of Net† | † | † |
| HPPPPC(3) | A2 | A2 | A2 | A2 | 4 | TB2-9 | TB2-10 | † | † |
| HPPPPC(4) | A2 | A2 | A2 | A2 | 4 | † | † | † | † |

* These arrangements use line switch controlled ground for common signal key with private or intercommunicating lines. Common signal should be used to operate a common signal relay. Do not wire directly to a buzzer. Fig. 2 or 3 shows line switch lead terminations.

† Insulated and stored.

‡ Remove mounting cord (S-Y) (Y-S) leads, insulate and store.

§ For 1A KTS connect (BL-BK) key lead to BL terminal.

Turnbutton may be used to

- (1) Operate auxiliary relay [through 5th R and T (G-BK) (BK-G) pair].
- (2) Cutoff ringer in set
- (3) Cutoff buzzer in set
- (4) Cutoff external audible signal [connect 5th R and T (G-BK) (BK-G) pair to ringer or signal circuit; connect 6th R and T (BL-Y) (Y-BL) pair to external signal].

Note: When field installed, connect 657B or 599B key as shown unless converted. To convert from pickup (locking) to signal (nonlocking) remove the P-10E837 screw from the plunger at key position being converted.

♦ TABLE D ♦

CONDUCTOR ASSIGNMENTS USING 66E-TYPE CONNECTOR BLOCK OR A25B CONNECTOR CABLE

| LEAD DESIG | TEL SET TERM.* | MTG CORD OR A25B CONN CABLE | | PLUG OR CONN | 66E-TYPE CONN BLOCK |
|----------------|----------------|-----------------------------|-----------------|--------------|---------------------|
| | | PAIR NO. | CONDUCTOR COLOR | PIN NO. | CLIP TERM. NO. |
| T | 26 | 1 | W-BL | 26 | 1 |
| R | 1 | | BL-W | 1 | 2 |
| A, H, S, or S1 | TB2-1 | 2 | W-O | 27 | 3 |
| A1 or B† | TB2-A1 | | O-W | 2 | 4 |
| LG | 38 | 3 | W-G | 28 | 5 |
| L1 | 13 | | G-W | 3 | 6 |
| T | 28 | 4 | W-BR | 29 | 7 |
| R | 3 | | BR-W | 4 | 8 |
| A, H, S, or S1 | TB2-2 | 5 | W-S | 30 | 9 |
| Spare or B† | ‡ | | S-W | 5 | 10 |
| LG | 39 | 6 | R-BL | 31 | 11 |
| L2 | 14 | | BL-R | 6 | 12 |
| T | 30 | 7 | R-O | 32 | 13 |
| R | 5 | | O-R | 7 | 14 |
| A, H, S, or S1 | TB2-3 | 8 | R-G | 33 | 15 |
| Spare or B† | ‡ | | G-R | 8 | 16 |
| LG | 40 | 9 | R-BR | 34 | 17 |
| L3 | 15 | | BR-R | 9 | 18 |
| T | 32 | 10 | R-S | 35 | 19 |
| R | 7 | | S-R | 10 | 20 |
| A, H, S, or S1 | TB2-4 | 11 | BK-BL | 36 | 21 |
| Spare or B† | ‡ | | BL-BK | 11 | 22 |
| LG | 41 | 12 | BK-O | 37 | 23 |
| L4 | 16 | | O-BK | 12 | 24 |
| T | 34 | 13 | BK-G | 38 | 25 |
| R | 9 | | G-BK | 13 | 26 |
| A, H, S, or S1 | TB2-5 | 14 | BK-BR | 39 | 27 |
| Spare or B† | ‡ | | BR-BK | 14 | 28 |
| LG | 42 | 15 | BK-S | 40 | 29 |
| L5 | 17 | | S-BK | 15 | 30 |
| T | 36 | 16 | Y-BL | 41 | 31 |
| R | 11 | | BL-Y | 16 | 32 |
| A, H, S, or S1 | TB2-6 | 17 | Y-O | 42 | 33 |
| Spare or B† | ‡ | | O-Y | 17 | 34 |
| LG | TB2-7 | 18 | Y-G | 43 | 35 |
| L6 | TB2-8 | | G-Y | 18 | 36 |
| BL or LS | TB2-BL | 19 | Y-BR | 44 | 37 |
| SG | TB2-SG | | BR-Y | 19 | 38 |
| B or B1 | G of net | 20 | Y-S | 45 | 39 |
| R or R1 | A of net | | S-Y | 20 | 40 |
| BZ1 | TB2-10 | 21 | V-BL | 46 | 41 |
| BZ | TB2-9 | | BL-V | 21 | 42 |
| Spare or DP2 | P2 of 41 dial | 22 | V-O | 47 | 43 |
| Spare or DP1 | P1 of 41 dial | | O-V | 22 | 44 |
| Spare T1 | ‡ | 23 | V-G | 48 | 45 |
| Spare R1 | ‡ | | G-V | 23 | 46 |
| Spare P3 | ‡ | 24 | V-BR | 49 | 47 |
| Spare P4 | ‡ | | BR-V | 24 | 48 |
| Spare AG | ‡ | 25 | V-S | 50 | 49 |
| Spare LK | ‡ | | S-V | 25 | 50 |

* Contacts of key plug unless otherwise noted.

† When set is used in 1A key telephone system, these balance leads must not be used for other purposes.

‡ Insulate and store.

SERVICE

663-TYPE TELEPHONE SETS

1. GENERAL

1.01 These sets are supplied factory wired with a 242-type amplifier to provide for headset operation. A head telephone set must be ordered separately. For ordering and installation information refer to the appropriate Reference section in Division 502.

1.02 Reissued to add C4B ringer furnished in current production 663-type telephone sets.

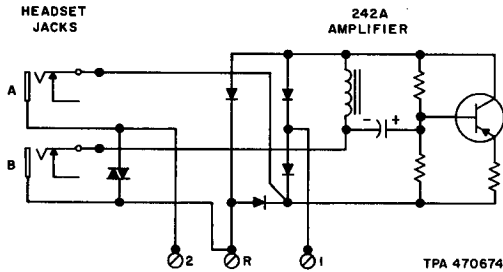


Fig. 1—242A Amplifier connections—663A1 Telephone Set

TABLE A

AMPLIFIER CONNECTIONS — 663A1 TELEPHONE SET

| LEAD | 242A AMPLIFIER | 242B AMPLIFIER* |
|------|----------------|-----------------|
| V-G | R | 2 |
| G-V | 2 | T |
| O-V | 1 | 1 |
| R | 2 | 2 |
| S | R | T |
| BK | 2 | 2 |

* Place P-29E318 strap or equivalent between R and T terminals of amplifier.

TABLE B

LINE AND RINGER CONNECTIONS — 663A1 TELEPHONE SET

| WIRE OR LEAD | | INDIV OR BRIDGED | RING PARTY | TIP PARTY | | | | |
|----------------------|--------|------------------|------------|-----------------|----------------|-------|----|----|
| | | | | NO IDENT GROUND | IDENT GROUND ¶ | | | |
| | | | | | 1000Ω | 2650Ω | | |
| Line Wire | Tip | Connecting Block | 1 | 1 | 1 | 1 | 1 | |
| | Ring | | 2 | 2 | 2 | 2 | 2 | |
| | Grd A1 | | 5* | 5 | 5 | 5 | 5 | |
| | A | | 4 | 4 | 4 | 4 | 4 | |
| Mounting Cord | G | | 1 | 1 | 1 | 1 | 1 | |
| | R | | 2 | 2 | 2 | 2 | 2 | |
| | Y | | 4 | 4 | 4 | 4 | 4 | |
| | BK | | 5 | 5 | 5 | 5 | 5 | |
| Mounting Cord in Set | G | | TB1 | 2 | 2 | 2 | 2 | 2 |
| | R | | | C† | C† | C† | F† | F† |
| | Y | 1 | | 1 | 1 | 1 | 1 | |
| | BK | 3 | | 3 | 3 | 3 | 3 | |
| Ringer Leads | R | TB2 | 7 ¶ or 9 | 7 ¶ or 9 | 7 ¶ or 9 | 7 | 7 | |
| | BK | | 8 | 8 | 8 | 8 | 8 | |
| | S ¶ | | 9 | 9 | 9 | 9 | 9 | |
| | S-R ¶ | | 10 | 10 | 10 | 9 | 9 | |
| Ringer Straps | R | Net. | C | C | 2‡ | K | 3‡ | |
| | BK | | 2‡ | 3‡ | 3‡ | 3‡ | K | |
| | S | | K | K | K | B | B | |
| | S-R ¶ | | A | A | A | B§ | B§ | |
| Key Assembly Leads | S-V | | F | F | F | C | C | |

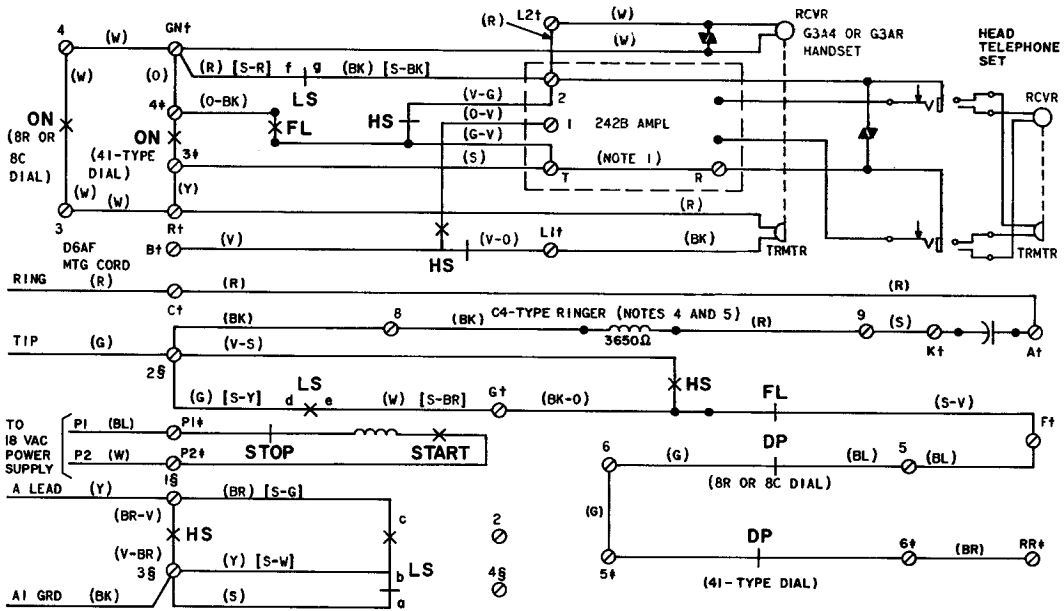
* Ground may be omitted if not required for service. Not required for protection of 41-type dial power supply.

† Network terminal.

‡ TB1.

§ Place M1W cord or equivalent from A of network to 2 of TB1.

¶ C4A ringer only



- NOTES:
1. P-29E318 STRAP.
 2. ON EARLIER MANUFACTURED SETS, AT TB2:
 - (A) TERMINALS 2,5, AND 6 WERE DESIGNATED 6,2 AND 5 RESPECTIVELY
 - (B) (S-V) FROM KEY ASSEMBLY WAS TERMINATED WITH (BL) DIAL LEAD AND (BL) STRAP AT TB2
 3. OFF-NORMAL CONTACTS AND ASSOCIATED (Y) LEADS ARE ON 8C DIAL ONLY.
 4. CONNECTIONS FOR C4B RINGER SHOWN. REFER TO TABLE B FOR LINE AND RINGER CONNECTIONS. IF C4A RINGER IS USED WIRE AS FOLLOWS:
 - (BK) RINGER LEAD TO 8 OF TB2
 - (R) RINGER LEAD TO 7 OF TB2
 - (S) RINGER LEAD TO 9 OF TB2
 - (S-R) RINGER LEAD TO 10 OF TB2
 - (S) STRAP BETWEEN 9 OF TB2 AND K OF NETWORK
 - (S-R) STRAP BETWEEN 10 OF TB2 AND A OF NETWORK
 C4A RINGER MUST BE USED FOR TIP PARTY IDENTIFICATION. REFER TO TABLE B.
 5. TO SILENCE RINGER PERMANENTLY MOVE (BK) RINGER LEAD TO TERMINAL 9 OF TB2.
 6. LINE SWITCH SEQUENCE:
 - bc - MAKES ab - BREAKS
 - de - MAKES fg - BREAKS

- † - NETWORK TERMINAL, UNDESIGNATED TERMINALS ARE ON TB2
- ‡ - TERMINAL ON 41 - TYPE DIAL
- § - TERMINAL ON TB1
- () - CURRENT COLOR CODE
- [] - MD COLOR CODE
- DP - DIAL PULSE CONTACTS
- FL - FLASH KEY
- HS - HEADSET ON-OFF KEY
- LS - LINE SWITCH
- ON - DIAL OFF-NORMAL CONTACTS

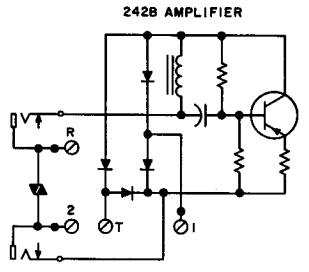
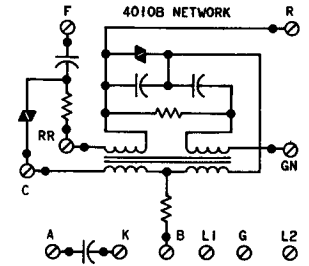
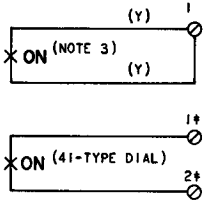


Fig. 2—663A1 Telephone Set, Connections

SERVICE

660A1M TELEPHONE SETS

1. GENERAL

1.01 Whenever this section is reissued, the reason for reissue will be listed in this paragraph.

1.02 For identification and ordering information, refer to reference Section 502-601-121.

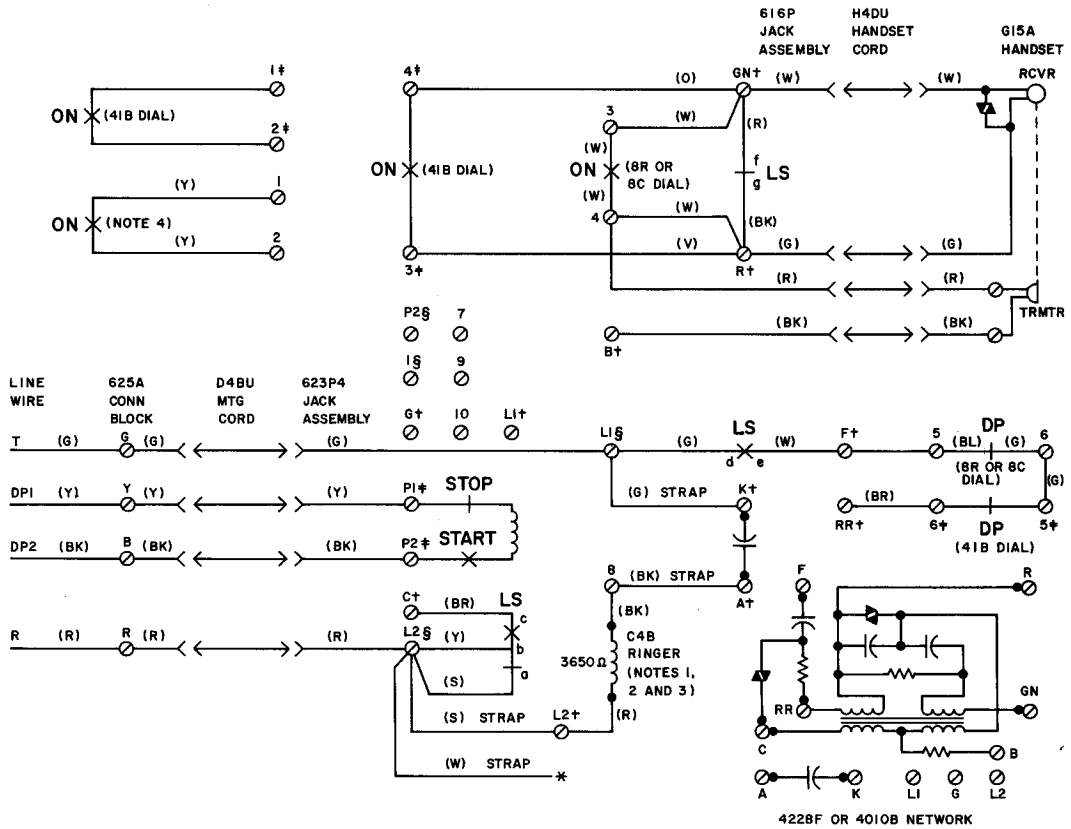
1.03 The 660A1M (modular) telephone set is factory wired for bridged ringing only (Fig. 1). For all other services the D4BU-29 mounting cord and 623P4 jack assembly must be removed and replaced with a D6AF-87 mounting cord, refer to Fig. 2, Tables A and B.

1.04 When exclusion is provided the appropriate D-kit of parts must be installed and the D4BU-29 mounting cord and 623P4 jack assembly must be removed and replaced with a D10R-87 mounting cord, refer to Fig. 3, Tables C and D.

1.05 To install exclusion switch, or for common installation and maintenance information, refer to Section 502-600-102. Speakerphone connections are found in Division 512.

1.06 When a 660A1M telephone set is used as a speakerphone set and is multiplied with any other set capable of furnishing speakerphone feature, speakerphone leads (T1, R1, P3, P4, AG, and LK) at sets not having speakerphone must be disconnected, insulated, and stored either at the telephone set or at the multiplying point. If not disconnected, the speakerphone leads will provide a common connection between the circuits of the multiplied telephone sets.

1.07 For additional information on the modular concept, refer to Section 503-100-100.



NOTES:

1. TELEPHONE SET IS FACTORY-WIRED FOR BRIDGED RINGING ONLY.
2. IF CAPACITOR IS NOT REQUIRED IN RINGER CIRCUIT MOVE (BK) RINGER STRAP FROM A TO TERMINAL K ON NETWORK.
3. TO SILENCE RINGER PERMANENTLY, REMOVE (BK) RINGER STRAP FROM A OF NETWORK AND CONNECT TO TERMINAL 8 OF TB2.
4. OFF-NORMAL CONTACTS AND ASSOCIATED (Y) LEADS ARE ON 8C DIAL ONLY.
5. LINE SWITCH OFF-HOOK SEQUENCE:
 - bc - MAKES ab - BREAKS
 - de - MAKES fg - BREAKS

* - INSULATED AND STORED

† - NETWORK TERMINAL, UNDESIGNATED TERMINALS ARE ON TB2

‡ - TERMINAL ON 41B DIAL

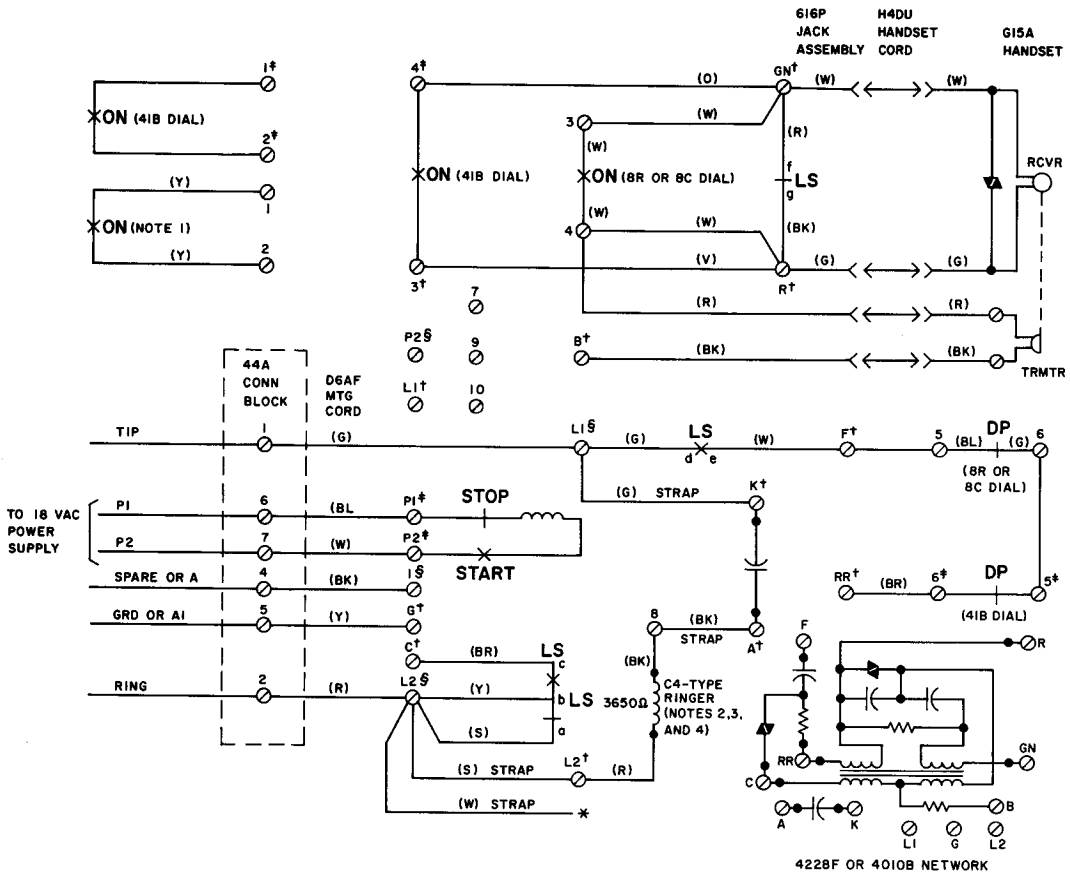
§ - TERMINAL ON TB1

DP - DIAL PULSE CONTACTS

LS - LINE SWITCH

ON - DIAL OFF-NORMAL CONTACTS

Fig. 1—660A1M Telephone Set, Connections



NOTES:

1. OFF-NORMAL CONTACTS AND ASSOCIATED (Y) LEAD ARE ON 8C DIAL ONLY.
2. IF CAPACITOR IS NOT REQUIRED IN RINGER CIRCUIT MOVE (BK) RINGER STRAP FROM A TO TERMINAL K ON NETWORK. FOR LINE AND RINGER CONNECTIONS REFER TO TABLE A.
3. TO SILENCE RINGER PERMANENTLY, REMOVE (BK) RINGER STRAP FROM A OF NETWORK AND CONNECT TO TERMINAL 8 OF TB2.
4. SET IS FACTORY-WIRED FOR BRIDGED RINGING. CONNECTIONS FOR C4B RINGER SHOWN, FOR LINE AND RINGER CONNECTIONS REFER TO TABLE A. C4A RINGER MUST BE USED FOR TIP PARTY IDENTIFICATION, FOR LINE AND RINGER CONNECTIONS REFER TO TABLE B.
5. LINE SWITCH SEQUENCE, OFF-HOOK SEQUENCE:

| | |
|------------|-------------|
| bc - MAKES | ab - BREAKS |
| de - MAKES | fg - BREAKS |

* - INSULATED AND STORED

† - NETWORK TERMINAL, UNDESIGNATED TERMINALS ARE ON TB2

‡ - TERMINAL ON 41B DIAL

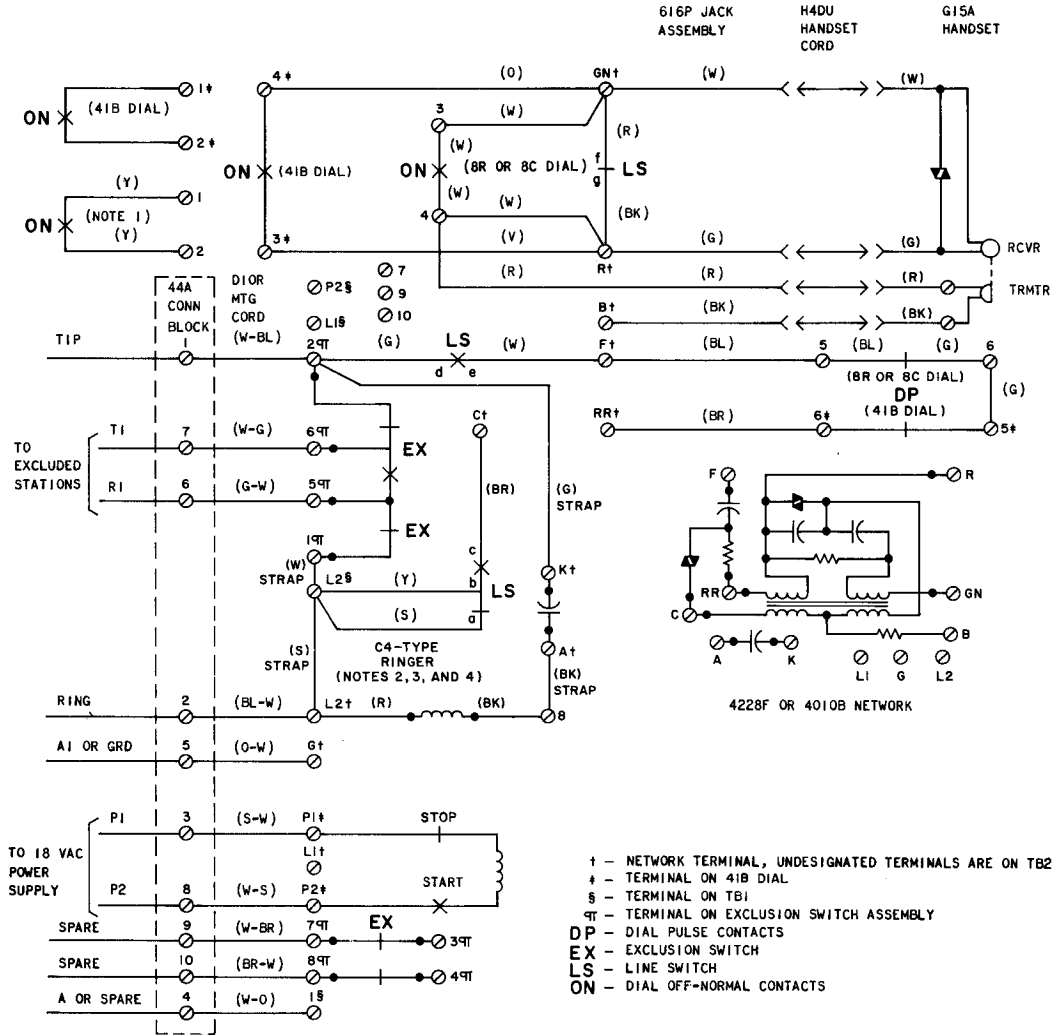
§ - TERMINAL ON TB1

DP - DIAL PULSE CONTACTS

LS - LINE SWITCH

ON - DIAL OFF-NORMAL CONTACTS

Fig. 2—660A1M Telephone Set (Equipped with D6AF Mounting Cord), Connections



NOTES:

1. OFF-NORMAL CONTACTS AND ASSOCIATED (Y) LEADS ARE ON 8C DIAL ONLY.
2. IF CAPACITOR IS NOT REQUIRED IN RINGER CIRCUIT MOVE (BK) RINGER STRAP FROM A TO K NETWORK.
3. TO SILENCE RINGER PERMANENTLY, REMOVE (BK) RINGER STRAP FROM TERMINAL 8 OF TB2 AND CONNECT TO A OF NETWORK.
4. SET IS FACTORY-WIRED FOR BRIDGED RINGING. CONNECTIONS FOR C4B RINGER SHOWN, FOR LINE AND RINGER CONNECTIONS REFER TO TABLE C. C4A RINGER MUST BE USED FOR TIP PARTY IDENTIFICATION, FOR LINE AND RINGER CONNECTIONS REFER TO TABLE D.
5. LINE SWITCH OFF-HOOK SEQUENCE:
 bc - MAKES ab - BREAKS
 de - MAKES fg - BREAKS

Fig. 3—660A1M Telephone Set (Equipped with DIOR Mounting Cord), Connections

TABLE A

**LINE AND C4B RINGER CONNECTIONS
(680A1M TELEPHONE SET EQUIPPED WITH D6AF MOUNTING CORD)**

| WIRE OR LEAD | | | INDIV OR BRIDGED | RING PARTY | TIP PARTY | 1A1 OR 1A2 KEY TEL SYSTEM (NOTE) |
|--------------------------|----------------------------------------|------------------|------------------------|----------------------|-----------------------|-------------------------------------------|
| | | | | | TO IDENT GROUND | |
| Line Wire | Tip Ring Grd A1 A P1 P2 | Connecting Block | 1 | 1 | 1 | 1 |
| | | | 2 | 2 | 2 | 2 |
| | | | 5* | 5 | 5 | 5 |
| | | | — | — | — | 4 |
| | | | 6 | 6 | 6 | 6 |
| | | | 7 | 7 | 7 | 7 |
| | | | | | | |
| Mtg Cord | G R Y BK BL W | Connecting Block | 1 | 1 | 2 | 1 |
| | | | 2 | 2 | 1 | 2 |
| | | | 5 | 5 | 5 | 5 |
| | | | 4 | 4 | 4 | 4 |
| | | | 6 | 6 | 6 | 6 |
| | | | 7 | 7 | 7 | 7 |
| | | | | | | |
| Mtg Cord in Set | G R Y BK | TB1 | L1 L2 G† 1 | L1 L2 G† 1 | L1 L2 G† 1 | L1 L2 G† 1 |
| | | 41B Dial | P1 P2 | P1 P2 | P1 P2 | P1 P2 |
| Line Switch | S Y BR G | TB1 | L2 L2 C† L1 | L2 L2 C† L1 | L2 L2 C† L1 | G† G† 1 L2 |
| Strap | G | | K† to L1 of TB1 | K† to G† | K† to G† | K† to L1 of TB1 |

* Ground may be omitted if not required for service. Not required for protection of 41B dial power supply.

† Terminal on network.

Note: Provide M1W strap between C and K of network

TABLE B

**LINE AND C4A RINGER CONNECTIONS
(660A1M TELEPHONE SET EQUIPPED WITH D6AF MOUNTING CORD)**

| WIRE OR LEAD | | | INDIV OR BRIDGED | RING PARTY | TIP PARTY | | | 1A1 OR 1A2 KEY TEL SYSTEM |
|--------------------------|----------------------------------------|---------------------|------------------------|---------------|-----------------------|--------------------|-----------|---------------------------------|
| | | | | | NO IDENT GROUND | IDENTIFYING GROUND | | |
| | | | | | | 1000Ω | 2650Ω | |
| Line Wire | Tip Ring Grd A1 A P1 P2 | Connecting Block | 1 | 1 | 1 | 1 | 1 | 1 |
| | | | 2 | 2 | 2 | 2 | 2 | 2 |
| | | | 5* | 5 | 5 | 5 | 5 | 5 |
| | | | — | — | — | — | — | — |
| | | | 6 | 6 | 6 | 6 | 6 | 6 |
| | | | 7 | 7 | 7 | 7 | 7 | 7 |
| | | | 7 | 7 | 7 | 7 | 7 | 7 |
| Mtg Cord | G R Y BK BL W | Connecting Block | 1 | 1 | 2 | 2 | 2 | 1 |
| | | | 2 | 2 | 1 | 1 | 1 | 2 |
| | | | 5 | 5 | 5 | 5 | 5 | 5 |
| | | | 4 | 4 | 4 | 4 | 4 | 4 |
| | | | 6 | 6 | 6 | 6 | 6 | 6 |
| | | | 7 | 7 | 7 | 7 | 7 | 7 |
| | | | 7 | 7 | 7 | 7 | 7 | 7 |
| Mtg Cord in Set | G R Y BK | TB1 | L1 | L1 | L1 | L1 | L1 | L1 |
| | | | L2 | L2 | L2 | L2 | L2 | L2 |
| | BK | TB1 | G† | G† | G† | G† | G† | G† |
| | | | 1 | 1 | 1 | 1 | 1 | 1 |
| | BL W | 41B Dial | P1 | P1 | P1 | P1 | P1 | P1 |
| | | | P2 | P2 | P2 | P2 | P2 | P2 |
| Ringer Leads | R BK S S-R | TB2 | L2† | L2† | L2† | K† | B† | L2† |
| | | | 8 | 8 | 8 | 8 | 8 | 8 |
| | | | 9 | 9 | 9 | 9 | 9 | 9 |
| | | | 10 | 10 | 10 | 10 | 10 | 10 |
| Ringer Straps | BK | TB2 | 8 to L1† | 8 to G† | 8 to G† | 8 to B† | 8 to B† | 8 to C† |
| | | | † | 9 to K† | 9 to K† | 9 to B† | 9 to K† | 9 to K† |
| | | | † | 10 to A† | 10 to A† | 10 to B† | 10 to G† | 10 to A† |
| Strap | G | TB1 | L1 to L1† | L1 to L1† | L1 to L1† | L1 to L1† | L1 to L2† | L1 to C† |
| Line Switch | S Y BR G | TB1 | L2 | L2 | L2 | A† | A† | G† |
| | | | L2 | L2 | L2 | L2 | L2 | G† |
| | | | C† | C† | C† | C† | C† | 1 |
| | | | L1 | L1 | L1 | L1 | L1 | L2 |

* Ground may be omitted if not required for service. Not required for protection of 41B dial power supply.

† Terminals on network.

‡ Straps must be provided, use M1W cord or equivalent.

TABLE C
LINE AND C4B RINGER CONNECTIONS
(660A1M TELEPHONE SET EQUIPPED WITH D10R MOUNTING CORD)

| WIRE OR LEAD | | | INDIV OR BRIDGED | RING PARTY | TIP PARTY | 1A1 OR 1A2 KEY TEL SYSTEM |
|--------------------------|------------------------------------------------------------------------|------------------|------------------------|----------------------|-----------------------|---------------------------------|
| | | | | | NO IDENT GROUND | |
| Line Wire | Tip Ring Grd A1 A T1 R1 P1 P2 | Connecting Block | 1 | 1 | 1 | 1 |
| | | | 2 | 2 | 2 | 2 |
| | | | 5* | 5 | 5 | 5 |
| | | | — | — | — | 4 |
| | | | 7 | 7 | 7 | 7 |
| | | | 6 | 6 | 6 | 6 |
| | | | 3 | 3 | 3 | 3 |
| | | | 8 | 8 | 8 | 8 |
| Mtg Cord | W-BL BL-W O-W W-O | Connecting Block | 1 | 1 | 2 | 1 |
| | | | 2 | 2 | 1 | 2 |
| | | | 5 | 5 | 5 | 5 |
| | | | 4 | 4 | 4 | 4 |
| | W-G G-W W-BR BR-W W-S S-W | | 7 | 7 | 7 | 7 |
| | | | 6 | 6 | 6 | 6 |
| | | | 9 | 9 | 9 | 9 |
| | | | 10 | 10 | 10 | 10 |
| 8 | 8 | 8 | 8 | | | |
| 3 | 3 | 3 | 3 | | | |
| Mtg Cord in Set | W-BL BL-W O-W W-O W-G G-W W-BR BR-W W-S S-W | | 2† | 2† | 2† | 2† |
| | | | L2† | L2† | L2† | L2‡ |
| | | | G† | G† | G† | L2§ |
| | | | 1§ | 1§ | 1§ | 1§ |
| | | | 6‡ | 6‡ | 6‡ | 6‡ |
| | | | 5‡ | 5‡ | 5‡ | 5‡ |
| | | | 7‡ | 7‡ | 7‡ | 7‡ |
| | | | 8‡ | 8‡ | 8‡ | 8‡ |
| | | | P2¶ | P2¶ | P2¶ | P2¶ |
| | | | P1¶ | P1¶ | P1¶ | P1¶ |
| | | | Ringer Leads | R BK | TB2 | L2† 8 |
| Ringer Strap | BK | TB2 | 8 to A† | 8 to A† | 8 to A† | 8 to A† |
| Line Switch | S Y BR G | TB1 | L2 L2 C† 2‡ | L2 L2 C† 2‡ | L2 L2 C† 2‡ | L2 L2 1 2† |
| Straps | G | NET. | K to 2‡ | K to G | K to G | K to 2‡ |
| | S | | L2 to L2§ | L2 to L2§ | L2 to L2§ | L2 to 1‡ |
| | W | Excn Switch | 1 to L2§ | 1 to L2§ | 1 to L2§ | 2 to C† |

* Ground may be omitted if not required for service. Not required for protection of 41B dial power supply.

† Terminals on network.

‡ Terminal on exclusion switch terminal board.

§ TB1.

¶ Terminal on 41B dial.

TABLE D
LINE AND C4A RINGER CONNECTIONS
(660A1M TELEPHONE SET EQUIPPED WITH D10R MOUNTING CORD)

| WIRE OR LEAD | | INDIV OR BRIDGED | RING PARTY | TIP PARTY | | | 1A1 OR 1A2 KEY TEL SYSTEM | |
|-----------------|--------|------------------|------------|-----------------|--------------------|-----------|---------------------------|----------|
| | | | | NO IDENT GROUND | IDENTIFYING GROUND | | | |
| | | | | | 1000Ω | 2650Ω | | |
| Line Wire | Tip | Connecting Block | 1 | 1 | 1 | 1 | 1 | |
| | Ring | | 2 | 2 | 2 | 2 | 2 | |
| | Grd A1 | | 5¶ | 5 | 5 | 5 | 5 | |
| | A | | — | — | — | — | 4 | |
| | T1 | | 7 | 7 | 7 | 7 | 7 | |
| | R1 | | 6 | 6 | 6 | 6 | 6 | |
| | P1 | | 3 | 3 | 3 | 3 | 3 | |
| | P2 | | 8 | 8 | 8 | 8 | 8 | |
| Mtg Cord | W-BL | Connecting Block | 1 | 1 | 2 | 2 | 1 | |
| | BL-W | | 2 | 2 | 1 | 1 | 2 | |
| | O-W | | 5 | 5 | 5 | 5 | 5 | |
| | W-O | | 4 | 4 | 4 | 4 | 4 | |
| | W-G | | 7 | 7 | 7 | 7 | 7 | |
| | G-W | | 6 | 6 | 6 | 6 | 6 | |
| | W-BR | | 9 | 9 | 9 | 9 | 9 | |
| | BR-W | | 10 | 10 | 10 | 10 | 10 | |
| | W-S | | 8 | 8 | 8 | 8 | 8 | |
| | S-W | | 3 | 3 | 3 | 3 | 3 | |
| Mtg Cord in Set | W-BL | Connecting Block | 2‡ | 2‡ | 2‡ | 2‡ | 2‡ | |
| | BL-W | | L2‡ | L2‡ | L2‡ | L2‡ | L2‡ | |
| | O-W | | G‡ | G‡ | G‡ | G‡ | L2§ | |
| | W-O | | 1§ | 1§ | 1§ | 1§ | 1§ | |
| | W-G | | 6‡ | 6‡ | 6‡ | 6‡ | 6‡ | |
| | G-W | | 5‡ | 5‡ | 5‡ | 5‡ | 5‡ | |
| | W-BR | | 7‡ | 7‡ | 7‡ | 7‡ | 7‡ | |
| | BR-W | | 8‡ | 8‡ | 8‡ | 8‡ | 8‡ | |
| | W-S | | P2¶ | P2¶ | P2¶ | P2¶ | P2¶ | |
| | S-W | | P1¶ | P1¶ | P1¶ | P1¶ | P1¶ | |
| Ringer Leads | R | TB2 | L2‡ | L2‡ | L2‡ | K‡ | B‡ | L2‡ |
| | BK | | 8 | 8 | 8 | 8 | 8 | 8 |
| | S | | 9 | 9 | 9 | 9 | 9 | 9 |
| | S-R | | 10 | 10 | 10 | 10 | 10 | 10 |
| Ringer Straps | BK | TB2 | 8 to G‡ | 8 to G‡ | 8 to G‡ | 8 to G‡ | 8 to B‡ | 8 to C‡ |
| | ** | | 9 to K‡ | 9 to K‡ | 9 to K‡ | 9 to B‡ | 9 to K‡ | 9 to K‡ |
| Line Switch | S | TB1 | L2 | L2 | L2 | A‡ | A‡ | L2 |
| | Y | | L2 | L2 | L2 | L2 | L2 | L2 |
| | BR | | C‡ | C‡ | C‡ | C‡ | C‡ | 1 |
| | G | | 2‡ | 2‡ | 2‡ | 2‡ | 2‡ | L2‡ |
| Straps | G | NET. | L1 to 2‡ | L1 to G | L1 to G | L1 to G | L1 to G | C to 2‡ |
| | S | | L2 to L2§ | L2 to L2§ | L2 to L2§ | L2 to L2§ | L2 to L2§ | L2 to 1‡ |
| | W | Excn Switch | 1 to L2§ | 1 to L2§ | 1 to L2§ | 1 to L2§ | 1 to L2§ | 1‡ to * |

* Insulate and store.

‡ Terminal on network.

‡ Terminal on exclusion switch terminal board.

§ TB1.

¶ Ground may be omitted if not required for service. Not required for protection of 41B dial.

** Provide M1W cord or equivalent.

SERVICE

662A1M TELEPHONE SETS

1. GENERAL

- 1.01** Whenever this section is reissued the reason for reissue will be listed in this paragraph.
- 1.02** The 662A1M (modular) telephone set is equipped with a 635A5 key. A modification kit is available for field conversion to provide exclusion.
- 1.03** For identification and ordering information, refer to reference Section 502-601-131.
- 1.04** To install exclusion switch, or for common installation and maintenance information,

refer to Section 502-600-102. Speakerphone connections are found in Division 512.

1.05 When a 662A1M telephone set is used as a speakerphone set and is multiplied with any other set capable of furnishing speakerphone feature the speakerphone leads (T1, R1, P3, P4, AG, and LK) at all sets not having speakerphone must be disconnected, insulated, and stored either at the telephone set or at the multiplying point. If not disconnected, the speakerphone leads will provide a common connection between the circuits of the multiplied telephone sets.

1.06 For additional information on the modular concept, refer to Section 503-100-100.

TABLE A

PICKUP-SIGNAL KEY CONVERSION – 662A1M TELEPHONE SET

| CONVERSION OPTIONS | 635A5, KEY LEADS | | | | | |
|-----------------------|------------------|-------|-------|---------|---------|--------|
| | (O-W) | (S-W) | (G-R) | (BL-BK) | (BR-BK) | (BR-W) |
| HPPPPP (Note) | A2 | A2 | A2 | A2 | A2 | 5 |
| HPPPPS | A2 | A2 | A2 | A2 | SG | 5 |
| HPPSSS | A2 | A2 | A2 | SG | SG | 5 |
| HPPSSS | A2 | A2 | SG | SG | SG | 5 |
| HPPPP*S* | A2 | A2 | A2 | S1 | A2† | S1 |
| HPPP*P*S* | A2 | A2 | S1 | S1 | A2† | S1 |
| HPP*P*P*S* | A2 | S1 | S1 | S1 | A2† | S1 |

* These arrangements use line switch controlled ground for common signal key used with private or intercommunicating lines. Common signal should be used to operate a common signal relay. Do not wire directly to a buzzer. Fig. 2 or 3 shows line switch lead terminations.

† For 1A KTS connect (BR-BK) key lead to BL terminal.

Note: 635A5 key is furnished in 662A1M telephone set. To convert from pickup (locking) to signal (nonlocking) remove 812857738 or P-28E773 screw from the plunger at the key position being converted.

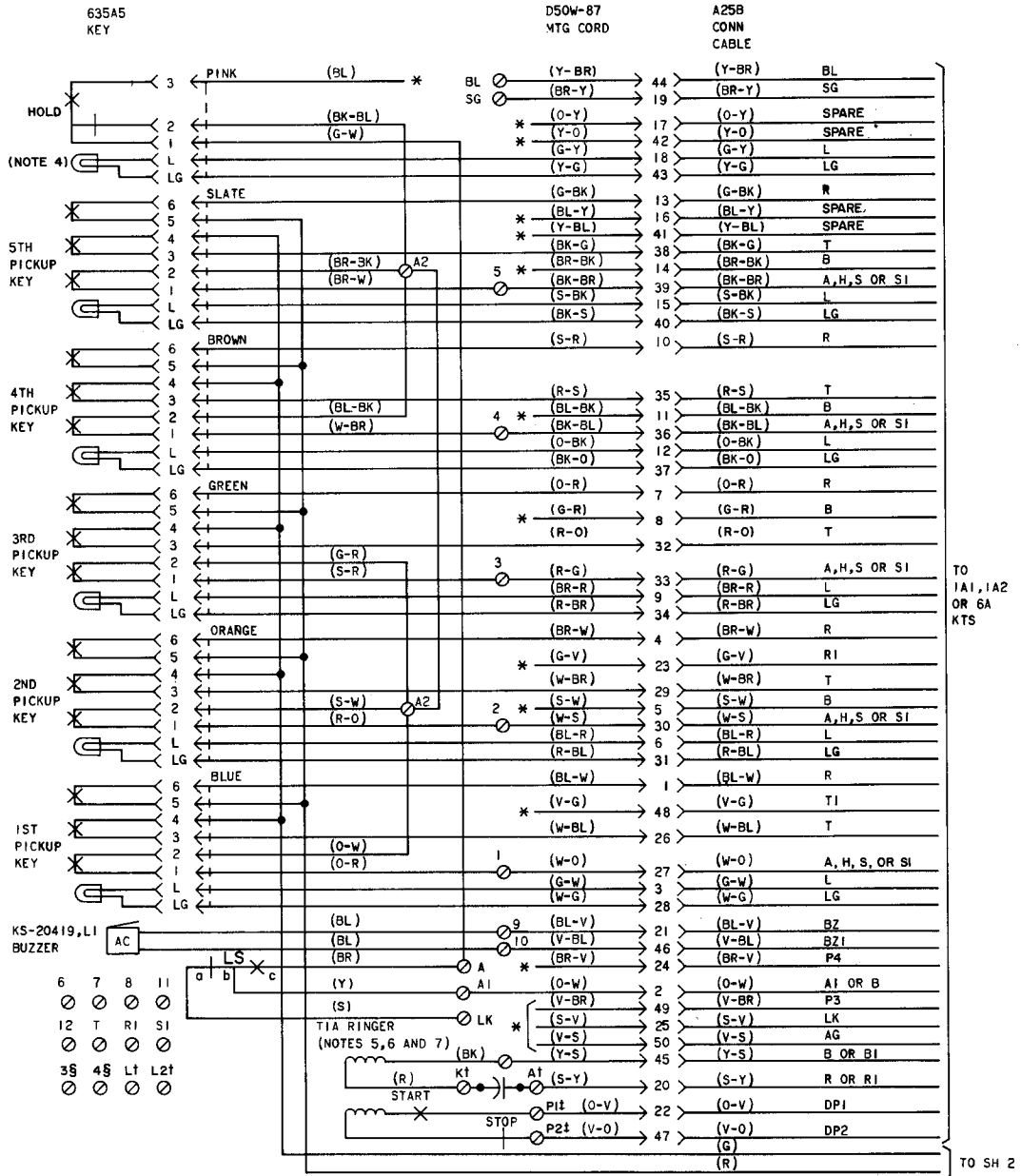


Fig. 1—662A1M Telephone Set Connections (Sheet 1 of 2)

NOTES:

1. OFF-NORMAL CONTACTS AND ASSOCIATED (Y) LEADS ARE ON 8C DIAL ONLY.
2. IF SPEAKERPHONE IS PROVIDED REPLACE 8R DIAL WITH AN 8C DIAL AND ADD STRAP LEADS AS SHOWN. REFER TO DIVISION 512 FOR SPEAKERPHONE CONNECTIONS.
3. WHEN EXCLUSION FEATURE IS DESIRED, CONNECT EXCLUSION SWITCH TO STATIONS BY MEANS OF CORD CONDUCTORS NOT IN USE FOR OTHER FUNCTIONS, WHEN EXCLUSION SWITCH IS CONNECTED TO 1A KEY TELEPHONE SYSTEM, THE H AND B LEADS MUST BE PAIRED. WHEN CONNECTED TO 1A1 OR 1A2 KEY TELEPHONE SYSTEM, THE A LEADS MAY BE CONNECTED TO PAIRED OR NON PAIRED CONDUCTORS.
4. TO USE 6TH LAMP, EQUIP KEY WITH PROPER LAMP AND CONNECT ASSOCIATED LEADS AT EQUIPMENT OR DISTRIBUTION TERMINAL AS REQUIRED.
5. IF CAPACITOR IS NOT REQUIRED IN RINGER CIRCUIT, MOVE (R) RINGER LEAD TO A OF NETWORK.
6. TO SILENCE RINGER PERMANENTLY CONNECT (BK) RINGER LEAD TO K OF NETWORK.
7. EXCLUSION KEY MAY BE USED TO CUTOFF RINGER IN SET.
8. LINE SWITCH OFF-HOOK SEQUENCE
 - bc - MAKES
 - de - MAKES
 - ab - BREAKS
 - fg - BREAKS

- * - INSULATED AND STORED
 - † - TERMINAL ON NETWORK, UNDESIGNATED
 - ‡ - TERMINALS ARE ON TB2
 - § - TERMINAL ON 41-TYPE DIAL
 - ⊥ - TERMINAL ON TB1
- DP - DIAL PULSE CONTACTS
 - EX - EXCLUSION SWITCH
 - H - HOLD KEY
 - LS - LINE SWITCH
 - ON - DIAL OFF-NORMAL CONTACTS
 - TB - TURNBUTTON(CUTOFF)

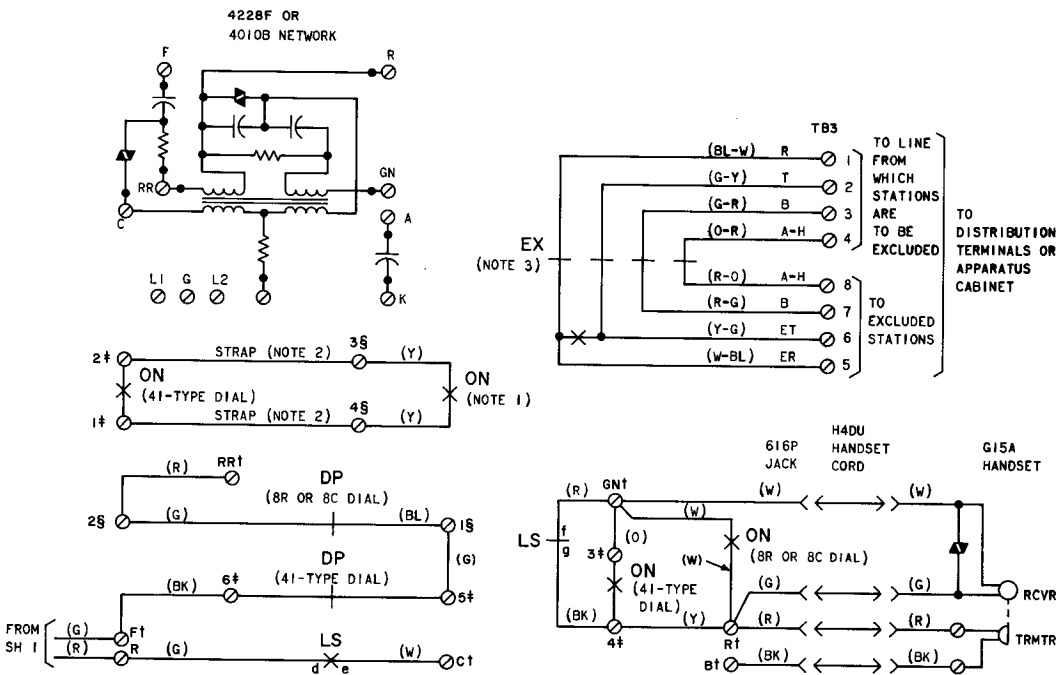
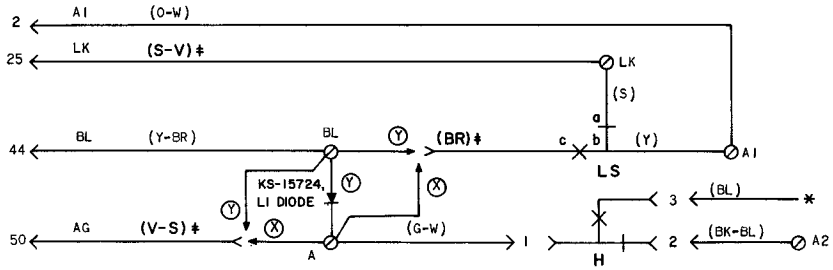
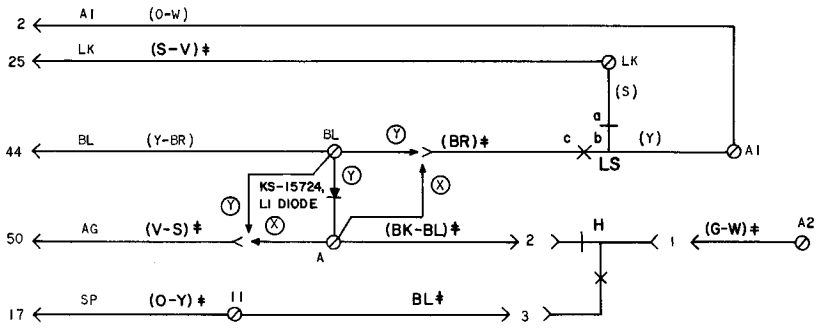


Fig. 1—662AIM Telephone Set Connections (Sheet 2 of 2)



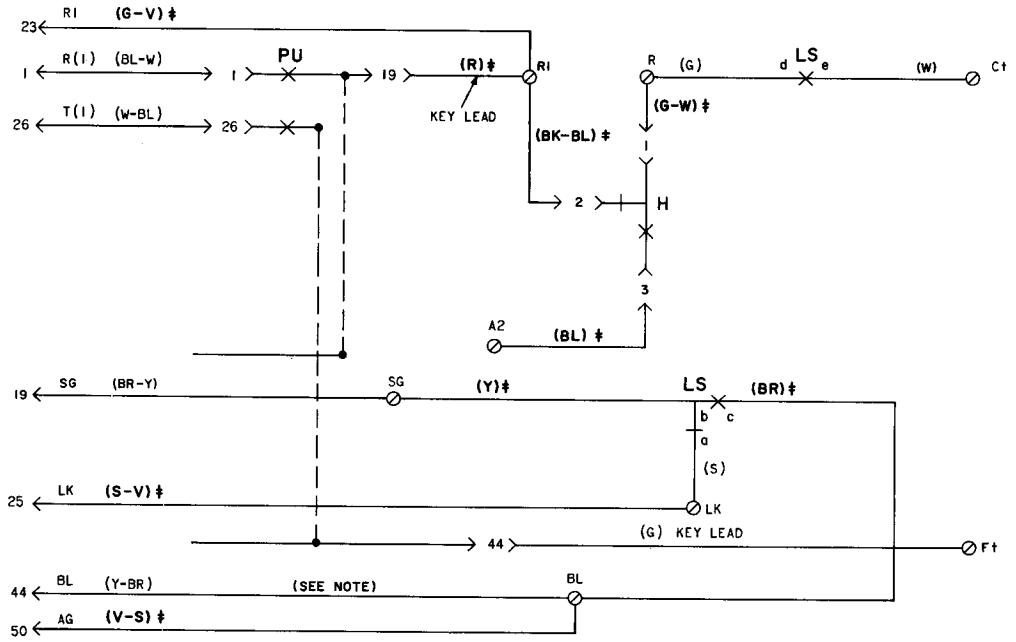
(A) WITHOUT I HOLD



(B) WITH I HOLD

- LS - LINESWITCH
- H - HOLD KEY
- (X) - WITHOUT BUSY LAMP
- (Y) - WITH BUSY LAMP
- * - INSULATED AND STORE
- ‡ - LEADS INVOLVED IN MODIFICATION

Fig. 2—1A1 or 1A2 KTS - I Hold and/or Station Busy Lamp Modification (662A1M) Telephone Set



NOTE:
 IF STATION BUSY LAMP IS NOT PROVIDED, REMOVE (Y-BR)
 MOUNTING CORD LEAD FROM BL TERMINAL, INSULATE AND STORE.

H - HOLD KEY
 LS - LINE SWITCH
 PU - PICKUP KEY

† - TERMINAL ON NETWORK, UNDESIGNATED TERMINALS ARE ON TB2.
 ‡ - LEADS INVOLVED IN MODIFICATION

Fig. 3—662A1M Telephone Set Converted for 1A KTS - With or Without Busy Lamp or Speakerphone

TABLE B
CONDUCTOR ASSIGNMENTS USING 66E-TYPE CONNECTOR BLOCK OR A25B CONNECTOR CABLE

| LEAD DESIG | 662A1M TEL SET TERM.‡ | MTG CORD OR A25B CONN CABLE | | PLUG OR CONN | 66E-TYPE CONN BLOCK |
|-------------------------------|--------------------------------|--------------------------------|----------------|--------------|------------------------|
| | | PAIR NO. | COND COLOR | PIN NO. | CLIP TERM. NO. |
| T R | 3 6 | 1 | W-BL BL-W | 26 1 | 1 2 |
| A, H, S, or S1 A1 or B† | TB2-1 TB2-A1 | 2 | W-O O-W | 27 2 | 3 4 |
| LG L1 | LG L | 3 | W-G G-W | 28 3 | 5 6 |
| T R | 3 6 | 4 | W-BR BR-W | 29 4 | 7 8 |
| A, H, S, or S1 Spare or B† | TB2-2 * | 5 | W-S S-W | 30 5 | 9 10 |
| LG L2 | LG L | 6 | R-BL BL-R | 31 6 | 11 12 |
| T R | 3 6 | 7 | R-O O-R | 32 7 | 13 14 |
| A, H, S, or S1 Spare or B† | TB2-3 * | 8 | R-G G-R | 33 8 | 15 16 |
| LG L3 | LG L | 9 | R-BR BR-R | 34 9 | 17 18 |
| T R | 3 6 | 10 | R-S S-R | 35 10 | 19 20 |
| A, H, S, or S1 Spare or B† | TB2-4 * | 11 | BK-BL BL-BK | 36 11 | 21 22 |
| LG L4 | LG L | 12 | BK-O O-BK | 37 12 | 23 24 |
| T R | 3 6 | 13 | BK-G G-BK | 38 13 | 25 26 |
| A, H, S, or S1 Spare or B† | TB2-5 * | 14 | BK-BR BR-BK | 39 14 | 27 28 |
| LG L5 | LG L | 15 | BK-S S-BK | 40 15 | 29 30 |
| Spare Spare | * * | 16 | Y-BL BL-Y | 41 16 | 31 32 |
| Spare Spare | * * | 17 | Y-O O-Y | 42 17 | 33 34 |
| LG L6 | LG L | 18 | Y-G G-Y | 43 18 | 35 36 |
| BL SG | TB2-BL TB2-SG | 19 | Y-BR BY-Y | 44 19 | 37 38 |
| B or B1 R or R1 | G of net A of net | 20 | Y-S S-Y | 45 20 | 39 40 |
| BZ1 BZ | TB2-10 TB2-9 | 21 | V-BL BL-V | 46 21 | 41 42 |
| Spare or DP2 Spare or DP1 | P2 of 41 dial P1 of 41 dial | 22 | V-O O-V | 47 22 | 43 44 |
| Spare or T1 Spare or R1 | * * | 23 | V-G G-V | 48 23 | 45 46 |
| Spare or P3 Spare or P4 | * * | 24 | V-BR BR-V | 49 24 | 47 48 |
| Spare or AG Spare or LK | * * | 25 | V-S S-V | 50 25 | 49 50 |

* Insulate and store.

† When set is used in 1A key telephone system, these balance leads must not be used for other purposes.

‡ Contacts of key plug unless otherwise noted.

SERVICE

2660-TYPE TELEPHONE SETS

1. GENERAL

1.01 Reissued to add:

- M1B ringer
- D4BT-87 mounting cord
- 4228B network
- G3A6 handset

1.02 The 2660-type telephone set is furnished in the A1 code only. Modification kits are available for field conversion to provide exclusion, signaling, and/or 2-line pickup.

1.03 When any of these features are required the appropriate mounting cord and D-kit of parts must be installed.

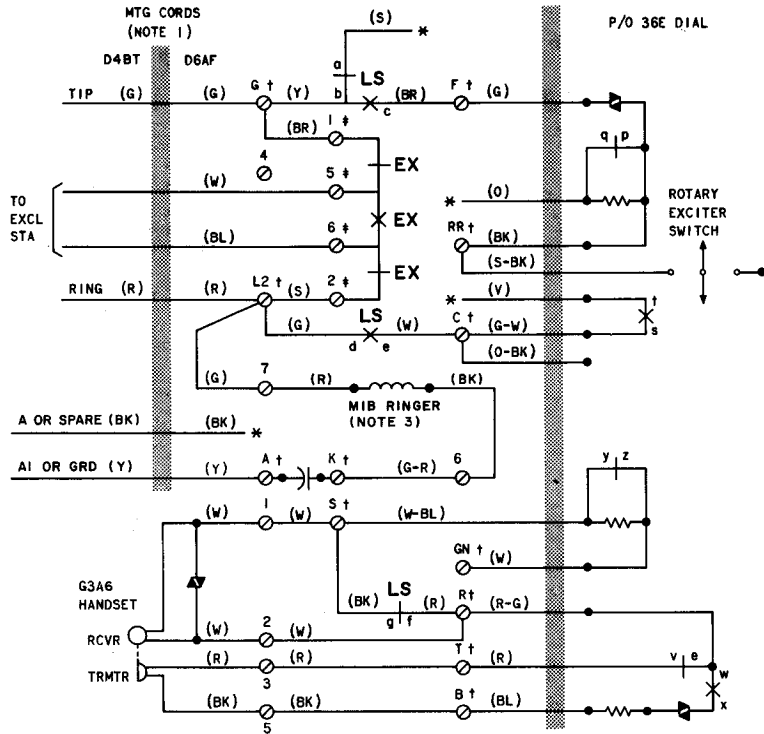
1.04 Refer to Section 502-603-120 for identification and ordering information.

1.05 To install kit of parts or for common installation and maintenance information, refer to Section 502-600-102.

1.06 Speakerphone connections are covered in Division 512.

1.07 When a 2660-type telephone set is used as a speakerphone set and is multiplied with any other set capable of furnishing speakerphone feature, the speakerphone leads (T1, R1, IT, IR, AG, and LK) at sets not having speakerphone must be disconnected, insulated and stored either at the telephone set or at the multiplying point. If not disconnected, the speakerphone leads will provide a common connection between the circuit of the multiplied telephone sets.

1.08 Current production 2660-type telephone sets are equipped with a D4BT-87 mounting cord. Early sets were equipped with a D3BN mounting cord.

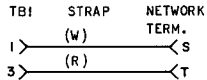


NOTES:

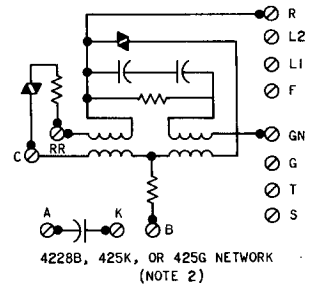
1. D4BT MTG CORD FURNISHED WITH 2660A1 CODE ONLY. D6AF MTG CORD (ORDERED SEPARATELY) REPLACES D4BT MTG CORD TO ADD EXCLUSION FEATURE, 2660A2 CODE.
2. THE 425G NETWORK IS ELECTRICALLY THE SAME AS THE 425K OR 4228B NETWORK, THE 425K OR 4228B PROVIDES TWO ADDITIONAL TIE POINT TERMINALS, S AND T.
3. CONNECTIONS FOR MIB RINGER SHOWN. CONNECTIONS FOR MIA SAME AS MIB EXCEPT (S) AND (S-R) RINGER LEADS ARE INSULATED AND STORED. MIA RINGER MUST BE USED FOR TIP PARTY IDENTIFICATION.

- * - INSULATED AND STORED.
- † - NETWORK TERMINAL, UNDESIGNATED TERMINALS ARE ON TBI.
- ‡ - EXCLUSION SWITCH TERMINAL BOARD.

§ - STRAPS REQUIRED:



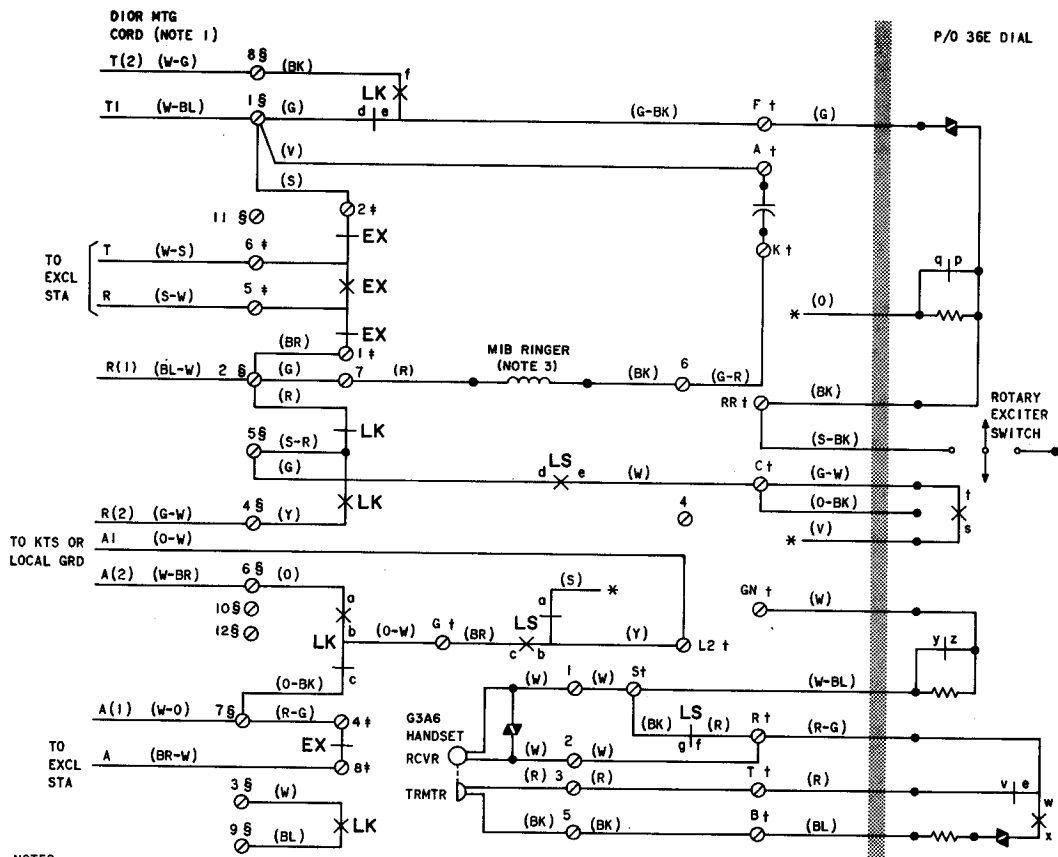
LS - LINE SWITCH
EX - EXCLUSION SWITCH



4228B, 425K, OR 425G NETWORK (NOTE 2)

| NETWORK CONNECTIONS | | | |
|---------------------|-------|----------|-------------------|
| LEADS | COLOR | 425G | 4228B § OR 425K § |
| LINE SWITCH | BK | 1 ON TBI | S ON NETWORK |
| DIAL | W-BL | 3 ON TBI | T ON NETWORK |
| | R | | |

Fig. 1—2660A1 and 2660A2 Telephone Set Connections



- NOTES:
1. THE 2660A3 CODE PROVIDES FOR 2-LINE PICKUP AND SIGNALING. 2660A4 CODE ADDS EXCLUSION FEATURE. INSULATE AND STORE UNUSED MTG CORD CONDUCTORS.
 2. THE 425G NETWORK IS ELECTRICALLY THE SAME AS THE 425K OR 4228B NETWORK. THE 425K OR 4228B PROVIDES TWO ADDITIONAL TIE POINT TERMINALS, S AND T.
 3. CONNECTIONS FOR MIB RINGER SHOWN. CONNECTIONS FOR MIA RINGER SAME AS MIB EXCEPT (S) AND (S-R) RINGER LEADS ARE INSULATED AND STORED. MIA RINGER MUST BE USED FOR TIP PARTY IDENTIFICATION.

- * - INSULATED AND STORED
- † - NETWORK TERMINAL, UNDESIGNATED TERMINALS ARE ON TBI
- ‡ - EXCLUSION SWITCH TERMINAL BOARD
- § - TERMINAL BOARD 2
- LS - LINE SWITCH
- LK - LINE KEY
- EX - EXCLUSION SWITCH

NETWORK CONNECTIONS

| LEADS | COLOR | 425G | 4228B* OR 425K** |
|-------------|-------|----------|------------------|
| LINE SWITCH | BK | 1 ON TBI | S ON NETWORK |
| DIAL | W-BL | 3 ON TBI | T ON NETWORK |

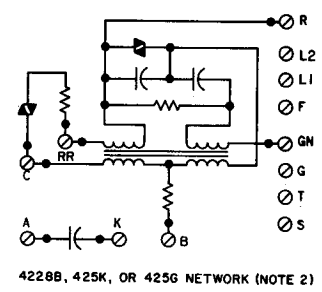
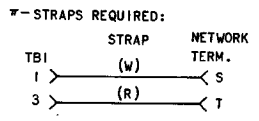


Fig. 2—2660A3 and 2660A4 Telephone Set, Connections

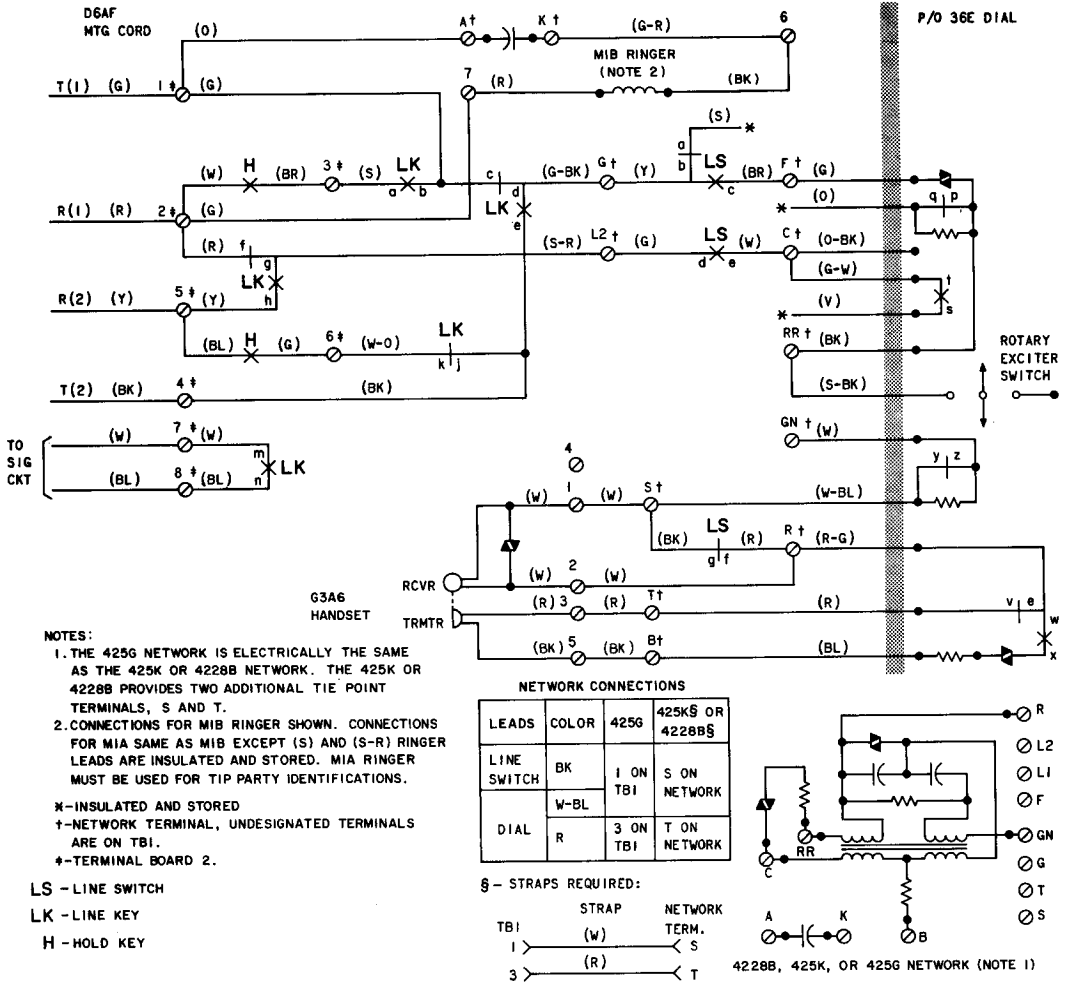


Fig. 3—2660A1 Telephone Set Modified for 2-Line Pickup and Hold (Nonkey Telephone Systems)

♦ TABLE A ♦

LINE AND RINGER CONNECTIONS — 2660A1 AND 2660A2 TELEPHONE SETS

| WIRE OR LEAD | | | INDIV OR BRIDGED | RING PARTY | TIP PARTY | | | 1A1 OR 1A2* KEY TEL SYSTEM | EXCLU- SION † (2660A2 ONLY) |
|--------------------------------------------|--------|------|------------------------|---------------|-----------------------|--------------|-----------|-------------------------------------|--------------------------------------|
| | | | | | NO IDENT GROUND | IDENT GROUND | | | |
| | | | | | | 1000 Ω | 2650 Ω | | |
| Mounting Cord at Connecting Block | Tip | (G) | G | G | G | G | G | G | 2 |
| | Ring | (R) | R | R | R | R | R | R | 1 |
| | Grd A1 | (Y) | G | Y | Y | Y | Y | Y | 4 |
| | A | (BK) | | | | | | B | 5 |
| | ET | (BL) | | | | | | | 7 |
| | ER | (W) | | | | | | | 6 |
| Mounting Cord in Set | Tip | (G) | G | G | G | G | G | A | G |
| | Ring | (R) | L2 | L2 | L2 | L2 | L2 | L2 | L2 |
| | Grd A1 | (Y) | A | A | A | L1 | L1 | G | A |
| | A | (BK) | * | * | * | * | * | F | * |
| | ET | (BL) | | | | | | | 6‡ |
| | ER | (W) | | | | | | | 5‡ |
| Ringer Leads | (R) | | 7 | 7 | 7 | 7 | 7 | 7 | 7 |
| | (BK) | | 6 | 6 | 6 | 6 | 6 | 6 | 6 |
| | (S)§ | | * | * | * | 5 | * | * | * |
| | (S-R)§ | | * | * | * | * | 5 | * | * |
| Line Switch | (BR) | | F | F | F | F | F | F | F |
| | (W) | | C | C | C | C | C | C | C |
| | (S) | | * | * | * | K | K | * | * |
| Dial | (G) | | F | F | F | F | F | A | F |
| Ringer Straps | (G) | | 7 to L2 | 7 to L2 | 7 to G | 7 to A | 7 to A | 7 to L2 | 7 to L2 |
| | (G-R) | | 6 to K | 6 to K | 6 to K | 6 to L1 | 6 to L1 | 6 to K | 6 to K |
| Exclusion Straps (2660A2 only) | (BR) | | | | | | | | G to 1‡ |
| | (S) | | | | | | | | L2 to 2‡ |

* Insulate and store.

† Replace D4BT with D6AF mounting cord.

‡ Terminals on exclusion terminal board.

§ Leads on M1A ringer only. M1A ringer must be used for tip party identification.

TABLE B — CONVERSION OF 2660A1 TO 2660A3 TELEPHONE SETS

| LEADS | REMOVE FROM | FOR 2-LINE PICKUP AND SIGNALING | | FOR 1-LINE, SIGNALING AND SET RINGER USED AS LINE RINGER | |
|---------------------------|---------------------|--------------------------------------------------------|-----------------------------------------------------------|----------------------------------------------------------|---------------------------------------------------------------------|
| | | SET RINGER USED AS LINE RINGER ON LINE 1 CONNECT TO | SET RINGER USED AS COM. OR PVT. LINE RINGER CONNECT TO | EXT. STA. OR RINGER CUT-OFF BY TURN KEY CONNECT TO | EXT. STA. OR RINGER AND SET RINGER CUTOFF BY TURN KEY CONNECT TO |
| Line Switch | (Y) | L2 of network | | | |
| | (BR) | G of network | G of network | | |
| | (G) | F of network | TB2-5 | | |
| Ringer Strap | (G) | L2 of network | TB2-2† | * | TB2-5 A of network |
| | (W-BL) | L2 of network | TB2-1 | | TB2-2 F of network |
| D10R Mtg. Cord (added) | (BL-W) | | TB2-2 | | TB2-5 G of network |
| | (W-O) | | TB2-7 | | G of network |
| | (O-W) | | L2 of network | | L2 of network |
| | (W-G) | | TB2-8 | | TB2-1 |
| | (G-W) | | TB2-4 | | TB2-2 |
| | (W-BR) | | TB2-6 | | TB2-7 |
| | (BR-W) | | * | TB2-3 | * |
| | (W-S) | | TB2-3 | TB1-6† | TB2-3 |
| | (S-W) | | TB2-9 | TB1-7 | TB2-9 |
| | Key Assy (added) | (O-W) | | G of network | |
| (G-BK) | | | F of network | | |
| (G) | | | TB2-1 | | |
| (R) | | | TB2-2 | | |
| (W) | | | TB2-3 | | |
| (Y) | | | TB2-4 | | |
| (S-R) | | | TB2-5 | | |
| (O) | | | TB2-6 | | |
| (O-BK) | | | TB2-7 | | |
| (BK) | | | TB2-8 | | |
| Strap(added) | (BL) | | TB2-9 | | |
| | (V) | | TB2-1 and A of net.† | Store in set | F of net. and A of net. TB2-1 and A of net. |

* Insulate and store.

† For ringer on line 2 move strap (G) from TB2-2 to TB2-4 and strap (V) from TB2-1 to TB2-8.

‡ Ringer connected without capacitor for common or private line ringing. If common audible signal power failure feature is provided, connect capacitor in circuit by moving mounting cord (W-S) lead from TB1-6 to A of network.

TABLE C

**2660A3 TELEPHONE SET
CONDUCTOR ASSIGNMENT
USING 44A CONNECTING BLOCK**

| D10R MTG CORD | 44A CONN. BLOCK TERMINAL | LINE 1 | LINE 2 OR CUTOFF CIRCUIT | SIGNAL* OR COM. RINGER CIRCUIT |
|---------------------|--------------------------------|-----------|--------------------------------|-----------------------------------------|
| (W-BL) | 2 | T | | |
| (BL-W) | 1 | R | | |
| (W-O) | 5 | A | | |
| (O-W) | 4 | A1 or GRD | | |
| (W-G) | 7 | | T | |
| (G-W) | 6 | | R | |
| (W-BR) | 10 | | A | |
| (BR-W) | 9 | | | SPARE or S* |
| (W-S) | 8 | | | S or R |
| (S-W) | 3 | | | G or B |

*When both signaling and common ringer are required, connect mtg. cord (BR-W) set end to TB2-3 and place strap between TB2-9 and L2 of network.

TABLE D

**2660A4 TELEPHONE SET
CONDUCTOR ASSIGNMENT
USING 44A CONNECTING BLOCK**

| D10R MTG CORD | 44A CONN. BLOCK TERMINAL | LINE 1 | LINE 2, CUTOFF, OR SIGNAL CIRCUIT | EXCLUSION OR SIGNAL CIRCUIT |
|---------------------|--------------------------------|-----------|--------------------------------------------|-----------------------------------|
| (W-BL) | 2 | T | | |
| (BL-W) | 1 | R | | |
| (W-O) | 5 | A | | |
| (O-W) | 4 | A1 or GRD | | |
| (W-G) | 7 | | T or S* | |
| (G-W) | 6 | | R or G* | |
| (W-BR) | 10 | | A or SPARE | |
| (BR-W) | 9 | | | A or SPARE |
| (W-S) | 8 | | | T or S |
| (S-W) | 3 | | | R or G |

*Used when both signaling and exclusion are required.

TABLE E

**MODIFICATION FOR 2-LINE PICKUP AND HOLD
(NONKEY TELEPHONE SYSTEM)**

| WIRE OR LEAD | COLOR | CONNECT TO* |
|-------------------------------|-------|---------------------------|
| 2-Line Pickup Key Assembly | S | 3 |
| | G | 1 |
| | G-BK | G of network |
| | BK | 4 |
| | R | 2 |
| | S-R | L2 of network |
| | Y | 5 |
| | W-O | 6 |
| | W | 7 |
| | BL | 8 |
| Hold Key Assembly | G | 6 |
| | BL | 5 |
| | W | 2 |
| | BR | 3 |
| D6AF Mounting Cord† | G | 1 |
| | R | 2 |
| | Y | 5 |
| | BK | 4 |
| | W | 7 |
| | BL | 8 |
| Strap (added) | O | TB2-1 and A of network |
| Ringer Strap‡ | G | 2 |

*Terminals on TB2 except where noted otherwise.

†D6AF mounting cord replaces original D4BT mounting cord.

‡Move existing ringer strap (G) from L2 of network to TB2-2.

TABLE F

P-90D012 OR 819040122 POLARITY GUARD CONNECTIONS

| | TEL SET LEADS | | | POLARITY GUARD LEADS | |
|-------------|---------------------|------------|---------------------|----------------------|---------------|
| | (W) LINE SWITCH | (G-W) DIAL | (BK) DIAL | (W) | (G) |
| Remove From | C of network | | RR of network | — | — |
| Connect To | S of polarity guard | | T of polarity guard | C of network | RR of network |

Note: For use when specified by local instructions for end-to-end signaling.

TABLE G
CONVERSION OF 2660A1 TO 2660A4 TELEPHONE SETS

| LEADS | | REMOVE FROM | FOR 2-LINE PICKUP — RINGER ON LINE 1 | |
|---------------------------|--------|-------------|--------------------------------------|----------------------------------------------------------------|
| | | | WITH EXT EXCL CONNECT TO | WITH SIG AND SET RINGER CUTOFF BY EXCL SWITCH CONNECT TO |
| Line Switch | (Y) | G of net. | L2 of net. | L2 of net. |
| | (BR) | F of net. | G of net. | G of net. |
| | (G) | L2 of net. | TB2-5 | TB2-5 |
| Ringer Strap | (G) | L2 of net. | TB2-2‡ | Excl TB-6 |
| D10R Mtg. Cord (added) | (W-BL) | | TB2-1 | TB2-1 |
| | (BL-W) | | TB2-2 | TB2-2 |
| | (W-O) | | TB2-7 | TB2-7 |
| | (O-W) | | L2 of net. | L2 of net. |
| | (W-G) | | TB2-8 | TB2-8 |
| | (G-W) | | TB2-4 | TB2-4 |
| | (W-BR) | | TB2-6 | TB2-6 |
| | (BR-W) | | Excl TB-8 | * |
| | (W-S) | | Excl TB-6 | TB2-3 |
| | (S-W) | | Excl TB-5 | TB2-9 |
| Key Assy (added) | (O-W) | | G of net. | |
| | (G-BK) | | F of net. | |
| | (G) | | TB2-1 | |
| | (R) | | TB2-2 | |
| | (W) | | TB2-3 | |
| | (Y) | | TB2-4 | |
| | (S-R) | | TB2-5 | |
| | (O) | | TB2-6 | |
| | (O-BK) | | TB2-7 | |
| | (BK) | | TB2-8 | |
| | (BL) | | TB2-9 | |
| Straps (added) | (V) | | TB2-1 and A of net.† | A of net and Excl TB-5 |
| | (S) | | TB2-1 and Excl TB-2† | TB2-1 and Excl TB-2 |
| | (BR) | | TB2-2 and Excl TB-1† | TB2-2 and Excl TB-1 |
| | (R-G) | | TB2-7 and Excl TB-4† | * |

* Insulate and store.

† For exclusion on line 2, move strap (S) from TB2-1 to TB2-8, strap (BR) from TB2-2 to TB2-4, and strap (R-G) from TB2-7 to TB2-6.

‡ For ringer on line 2, move strap (G) from TB2-2 to TB2-4 and strap (V) from TB2-1 to TB2-8.

TABLE G (Cont)
CONVERSION OF 2660A1 TO 2660A4 TELEPHONE SETS

| LEADS | | REMOVE FROM | FOR 1-LINE PICKUP -- SET RINGER USED AS LINE RINGER | | |
|------------------------|--------|-------------|-------------------------------------------------------------------|------------------------------------------------------------------------------------------------|------------------------------------------------------------------|
| | | | WITH EXT EXCL AND EXT STA OR RINGER CUTOFF BY TURN KEY CONNECT TO | WITH SIG. EXT STA OR RINGER CUTOFF BY TURN KEY AND SET RINGER CUTOFF BY EXCL SWITCH CONNECT TO | WITH SIG. SET RINGER CUTOFF BY TURN KEY, AND EXT EXCL CONNECT TO |
| Line Switch | (Y) | G of net. | L2 of net. | L2 of net. | L2 of net. |
| | (BR) | F of net. | G of net. | G of net. | G of net. |
| | (G) | L2 of net. | TB2-5 | TB2-5 | TB2-5 |
| Ringer Strap | (G) | L2 of net. | Excl TB-2 | Excl TB-6 | TB2-2 |
| D10R Mtg. Cord (added) | (W-BL) | | F of net. | F of net. | F of net. |
| | (BL-W) | | TB2-5 | TB2-5 | TB2-5 |
| | (W-O) | | G of net. | G of net. | G of net. |
| | (O-W) | | L2 of net. | L2 of net. | L2 of net. |
| | (W-G) | | TB2-1 | TB2-1 | TB2-3 |
| | (G-W) | | TB2-2 | TB2-2 | TB2-9 |
| | (W-BR) | | TB2-7 | TB2-7 | * |
| | (BR-W) | | Excl TB-8 | * | Excl TB-8 |
| | (W-S) | | Excl TB-6 | TB2-3 | Excl TB-6 |
| | (S-W) | | Excl TB-5 | TB2-9 | Excl TB-5 |
| Key assy (added) | (O-W) | | G of net. | | |
| | (G-BK) | | F of net. | | |
| | (G) | | TB2-1 | | |
| | (R) | | TB2-2 | | |
| | (W) | | TB2-3 | | |
| | (Y) | | TB2-4 | | |
| | (S-R) | | TB2-5 | | |
| | (O) | | TB2-6 | | |
| | (O-BK) | | TB2-7 | | |
| | (BK) | | TB2-8 | | |
| | (BL) | | TB2-9 | | |
| Straps (added) | (V) | | A of net. and Excl TB-1 | A of net. and Excl TB-5 | TB2-1 and A of net. |
| | (S) | | F of net. and Excl TB-2 | F of net. and Excl TB-2 | F of net. and Excl TB-2 |
| | (BR) | | TB2-5 and Excl TB-1 | TB2-5 and Excl TB-1 | TB2-5 and Excl TB-1 |
| | (R-G) | | G of net. and Excl TB-4 | * | G of net. and Excl TB-4 |

* Insulate and store.

† For exclusion on line 2, move strap (S) from TB2-1 to TB2-8, strap (BR) from TB2-2 to TB2-4, and strap (R-G) from TB2-7 to TB2-6.

‡ For ringer on line 2, move strap (G) from TB2-2 to TB2-4 and strap (V) from TB2-1 to TB2-8.

SERVICE

2662-TYPE TELEPHONE SETS

1. GENERAL

1.01 Reissued to:

- Add KS-20419L1 buzzer
- Add M1B ringer
- Add 4228B network.

1.02 These sets are supplied factory-wired as 2662A1 only. For conversion to 2662A2 or 2662A3 the appropriate key must be ordered and installed separately. Modification kits are available for field conversion to provide exclusion (2662A4, 2662A5, or 2662A6 codes). For ordering and installation information, refer to the appropriate Reference section in Division 502. Speakerphone connections are shown in Division 512.

1.03 When a 2662-type telephone set is not used as a speakerphone set and is multiplied with any other set capable of furnishing speakerphone feature, speakerphone leads must be disconnected, insulated, and stored either at the telephone set or at the multiplying point. If not disconnected,

the speakerphone leads will provide a common connection between the circuits of the multiplied telephone sets.

TABLE A
P-90D012 POLARITY GUARD CONNECTIONS

| LEAD | | REMOVE FROM | CONNECT TO | |
|----------------|----|-------------|------------|----------------|
| | | NET | NET | POLARITY GUARD |
| Dial | BK | RR | | T |
| Line Switch | W | C | | S |
| Polarity Guard | G | | RR | |
| | W | | C | |

Note:

Polarity guard used when specified by local instruction for end-to-end signaling installation when battery and ground reversals may be encountered.

TABLE B
PICKUP-SIGNAL KEY CONVERSION, 2662A1 OR 2662A4 TELEPHONE SET

| CONVERSION OPTIONS | 657A OR 599A KEY LEADS | | | | | |
|--------------------|------------------------|-------|-------|---------|---------|--------|
| | (O-W) | (S-W) | (G-R) | (BL-BK) | (BR-BK) | (BR-W) |
| HPPPPP (Note) | A2 | A2 | A2 | A2 | A2 | 5 |
| HPPPPS | A2 | A2 | A2 | A2 | SG | 5 |
| HPPSSS | A2 | A2 | A2 | SG | SG | 5 |
| HPPSSS | A2 | A2 | SG | SG | SG | 5 |
| HPPPP*S* | A2 | A2 | A2 | S1 | A2† | S1 |
| HPPP*P*S* | A2 | A2 | S1 | S1 | A2† | S1 |
| HPP*P*P*S* | A2 | S1 | S1 | S1 | A2† | S1 |

* These arrangements use line switch controlled ground for common signal key used with private or intercommunicating lines. Common signal should be used to operate a common signal relay. Do not wire directly to a buzzer. Fig. 2 and 3 show line switch lead terminations.

† For 1A KTS connect (BR-BK) key lead to BL terminal.

Note: 657A or 599A key as furnished in 2662A1 telephone set. To convert from pickup (locking) to signal (nonlocking) remove the P-10E837 screw from the plunger at the key position being converted.

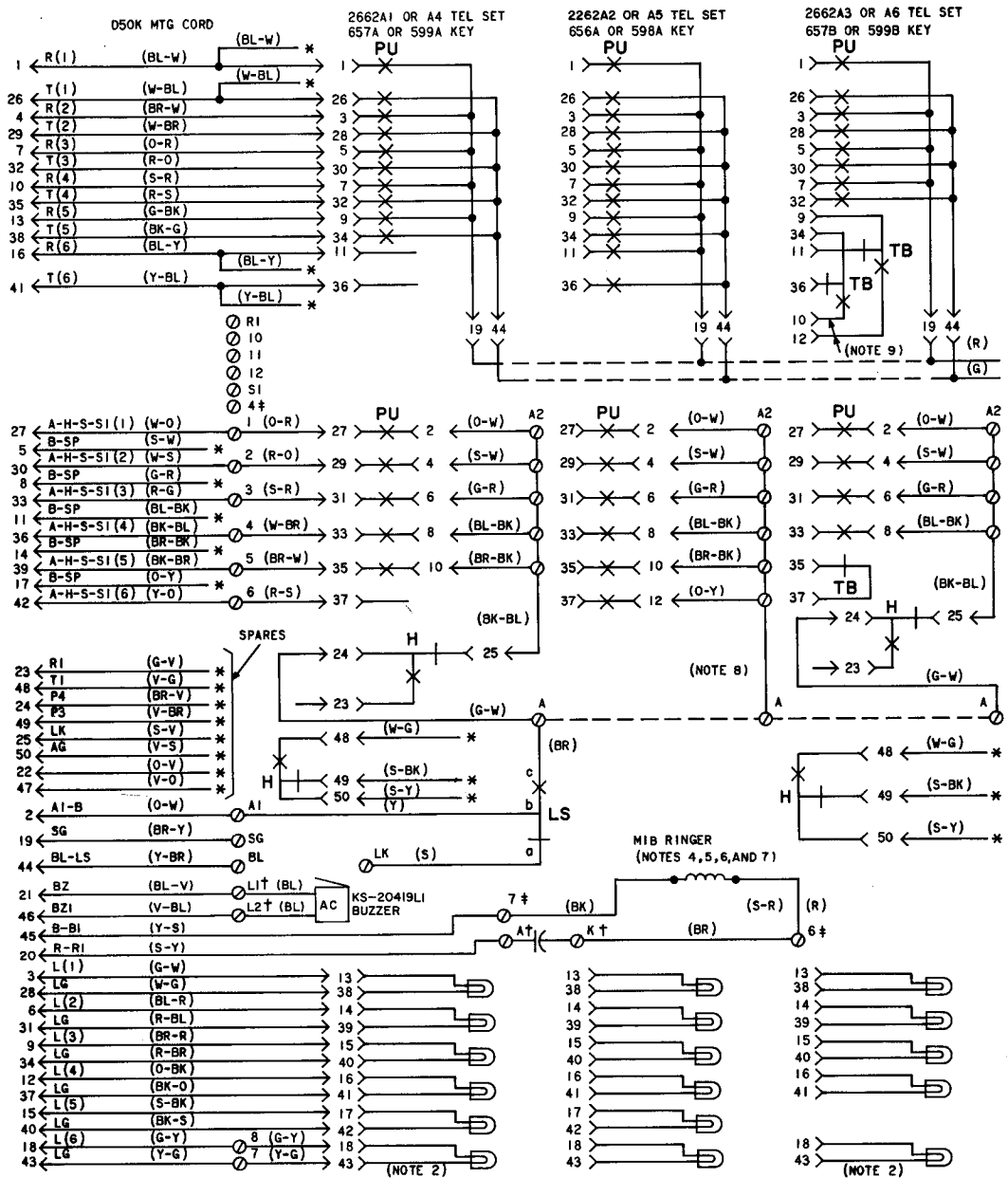
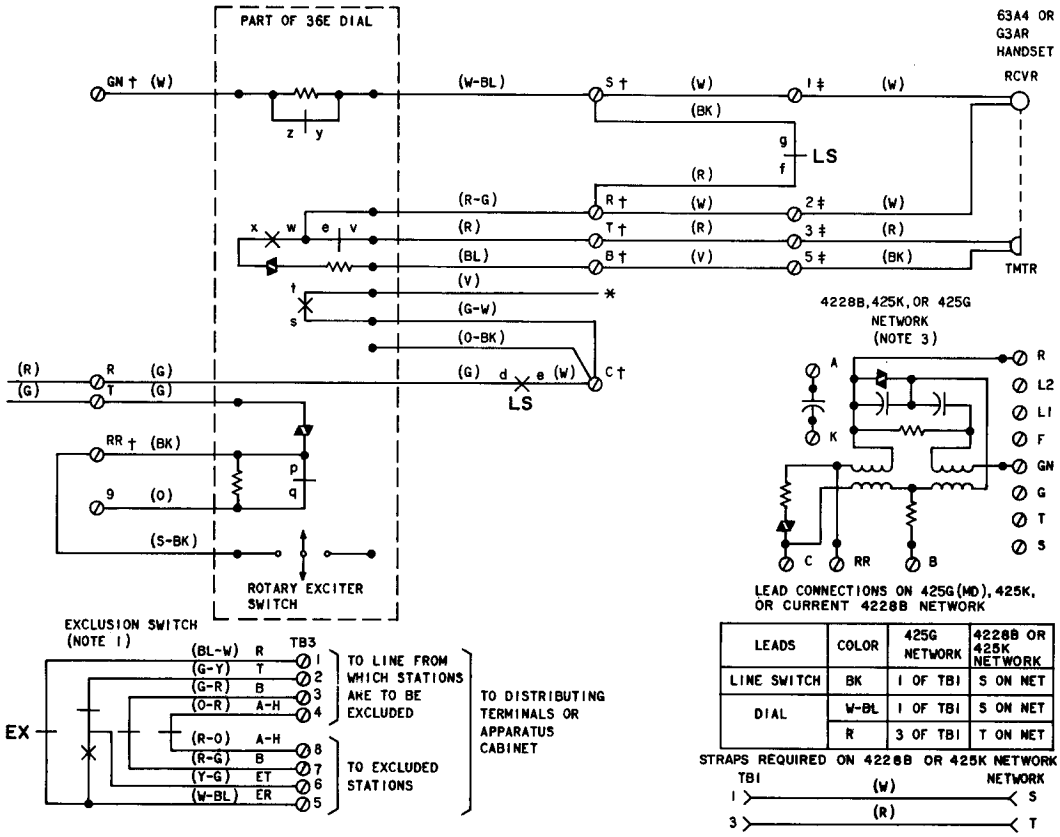


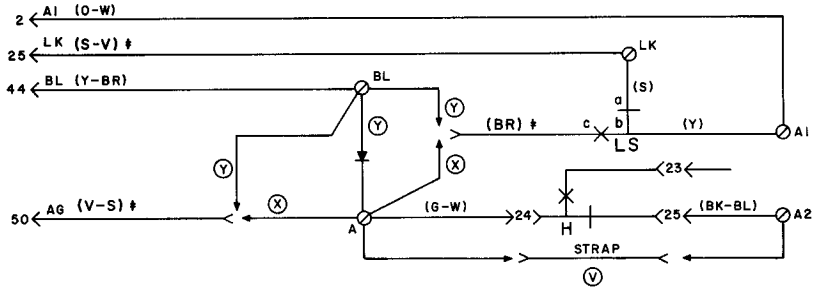
Fig. 1—2662-Type Telephone Set, Connections (Sheet 1 of 2)†



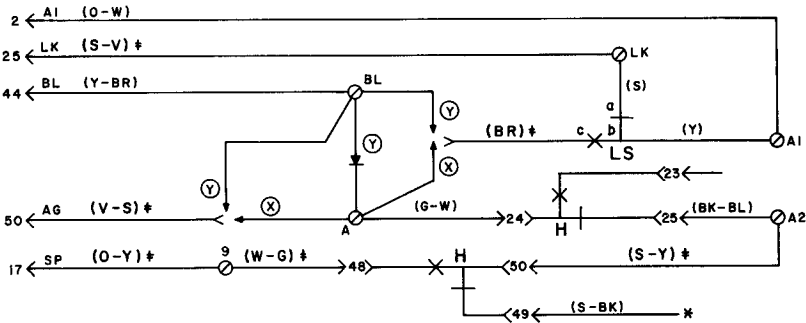
- NOTES:
1. WHEN EXCLUSION FEATURE IS DESIRED, CONNECT EXCLUSION SWITCH TO STATIONS BY MEANS OF CORD CONDUCTORS NOT IN USE FOR OTHER FUNCTIONS. WHEN EXCLUSION SWITCH IS CONNECTED TO 1A KEY TELEPHONE SYSTEM, THE H AND B LEADS MUST BE PAIRED. WHEN CONNECTED TO 1A1 OR 1A2 KEY TELEPHONE SYSTEM, THE A LEADS MAY BE CONNECTED TO PAIRED OR NONPAIRED CONDUCTORS.
 2. TO USE 6TH LAMP, EQUIP KEY WITH THE PROPER LAMP AND CONNECT ASSOCIATED LEADS AT EQUIPMENT OR DISTRIBUTION TERMINAL AS REQUIRED.
 3. THE 4228B NETWORK IS ELECTRICALLY THE SAME AS THE 425K OR 425G (MD) NETWORK. THE 4228B OR 425K NETWORK PROVIDES S AND T TIE POINT TERMINALS.
 4. CONNECTIONS FOR MIB RINGER SHOWN. CONNECTIONS FOR MIA SAME AS MIB EXCEPT UNUSED RINGER LEADS ARE INSULATED AND STORED.
 5. IF CAPACITOR IS NOT REQUIRED IN RINGER CIRCUIT, MOVE (BR) STRAP FROM K TO A OF NETWORK.
 6. TO SILENCE RINGER PERMANENTLY, MOVE (BK) RINGER LEAD FROM TERMINAL 7 TO TERMINAL 6 OF TBI.
 7. EXCLUSION KEY MAY BE USED TO CUTOFF RINGER IN SET.
 8. WHEN 656A OR 598A KEY IS PROVIDED ADD STRAP BETWEEN KEY TERMINALS A AND A2.

9. THESE LEADS CONNECT TO (BR-BK) AND (O-Y) LEADS TERMINATED ON A2.
 10. LINE SWITCH SEQUENCE:
 - bc - MAKES
 - de - MAKES
 - ab - BREAKS
 - fg - BREAKS
- * - INSULATED AND STORED
 † - NETWORK TERMINAL, UNDESIGNATED TERMINALS ARE ON TB2
 ‡ - TERMINAL ON TBI
 EX - EXCLUSION SWITCH
 H - HOLD KEY
 LS - LINE SWITCH
 TB - TURNBUTTON (CUTOFF)
 PU - PICKUP KEY

Fig. 1—2662-Type Telephone Set, Connections (Sheet 2 of 2)



A. WITHOUT I HOLD



B. WITH I HOLD

- * - INSULATED AND STORED
- ‡ - LEADS INVOLVED IN MODIFICATION
- H - HOLD KEY
- LS - LINE SWITCH
- ⊗ - WITHOUT BUSY LAMP
- ⊙ - WITH BUSY LAMP, USE KS-15724, LI DIODE
- Ⓢ - ADD STRAP WHEN 656A OR 598A KEY IS FURNISHED

Fig. 2—1A1 or 1A2 KTS—I Hold and/or Station Busy Lamp Modification

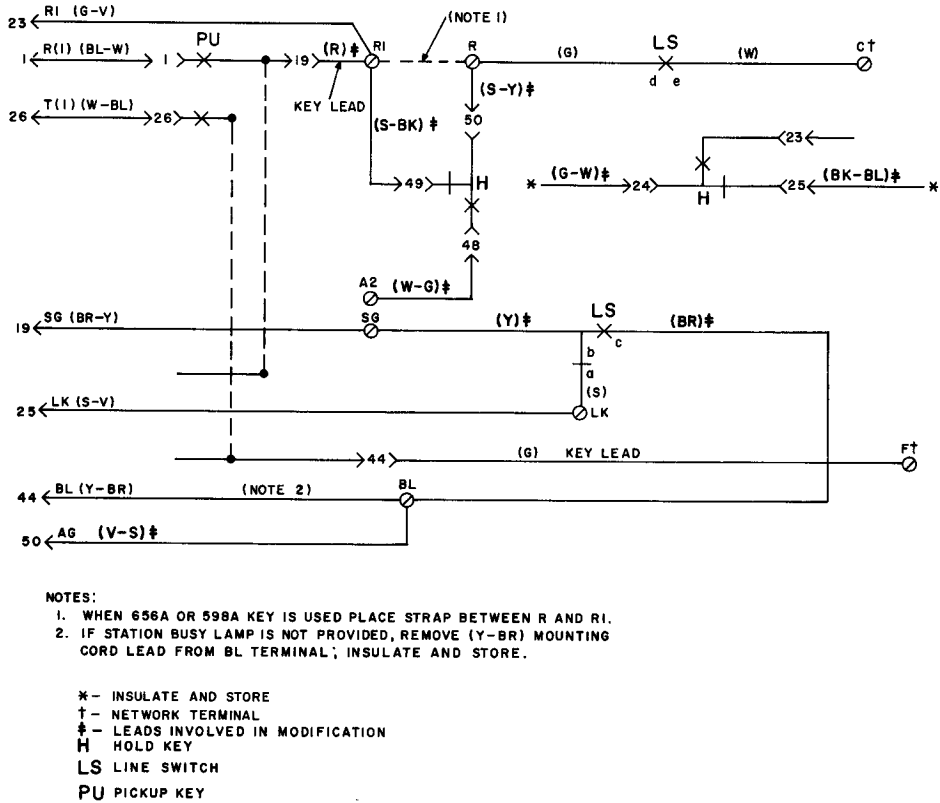


Fig. 3—2662-Type Telephone Set Converted for 1A KTS—With or Without Busy Lamp or Speakerphone

TABLE C
PICKUP-SIGNAL KEY CONVERSION, 2662A2 OR 2662A5 TELEPHONE SET

| CONVERSION OPTIONS | 656A OR 598A KEY LEADS | | | | | | |
|--------------------|------------------------|-------|-------|---------|---------|-------|-------|
| | (O-W) | (S-W) | (G-R) | (BL-BK) | (BR-BK) | (O-Y) | (R-S) |
| PPPPPP (Note) | A2 | A2 | A2 | A2 | A2 | A2 | 6 |
| PPPPPS | A2 | A2 | A2 | A2 | A2 | SG | 6 |
| PPPPSS | A2 | A2 | A2 | A2 | SG | SG | 6 |
| PPSSSS | A2 | A2 | A2 | SG | SG | SG | 6 |
| PPSSSS | A2 | A2 | SG | SG | SG | SG | 6 |
| PPPP*S* | A2 | A2 | A2 | A2 | S1 | A2† | S1 |
| PPPP*P*S* | A2 | A2 | A2 | S1 | S1 | A2‡ | S1 |
| PP*P*P*S* | A2 | A2 | S1 | S1 | S1 | A2‡ | S1 |
| PP*P*P*S* | A2 | S1 | S1 | S1 | S1 | A2‡ | S1 |

* These arrangements use line switch controlled ground for common signal key used with private or intercommunicating lines. Common signal should be used to operate a common signal relay. Do not wire directly to a buzzer. Fig. 2 and 3 show line switch lead terminations.

† For 1A KTS connect (O-Y) key lead to BL terminal.

Note: 656A or 598A key as furnished in 2662A2 telephone set. To convert from pickup (locking) to signal (nonlocking) remove the P-10E837 screw from the plunger at the key position being converted.

◆ TABLE D ◆

PICKUP-SIGNAL KEY CONVERSION, 2662A3 OR 2662A6 TELEPHONE SET

| CONVERSION OPTIONS | 657B OR 599B KEY LEADS | | | | | | | | |
|--------------------|------------------------|-------|-------|---------|--------|-------------|-------------|---------|-------|
| | (O-W) | (S-W) | (G-R) | (BL-BK) | (W-BR) | (Y-BL) | (BL-Y) | (BR-BK) | (O-Y) |
| HPPPPC (Note) | A2 | A2 | A2 | A2 | 4 | † | † | A2 | A2 |
| HPPPSC | A2 | A2 | A2 | SG | 4 | † | † | A2 | A2 |
| HPPSSC | A2 | A2 | SG | SG | 4 | † | † | A2 | A2 |
| HPPP*S*C | A2 | A2 | S1 | A2§ | S1 | † | † | A2 | A2 |
| HPP*P*S*C | A2 | S1 | S1 | A2§ | S1 | † | † | A2 | A2 |
| HPPPPC(1) | A2 | A2 | A2 | A2 | 4 | † | † | A2 | A2 |
| HPPPPC(2) | A2 | A2 | A2 | A2 | 4 | TB1-7† | A of Net.‡ | † | † |
| HPPPPC(3) | A2 | A2 | A2 | A2 | 4 | L1 of Net.§ | L2 of Net.§ | † | † |
| HPPPPC(4) | A2 | A2 | A2 | A2 | 4 | † | † | † | † |

* These arrangements used line switch controlled ground for common signal key with private or intercommunicating lines. Common signal should be used to operate a common signal relay. Do not wire directly to a buzzer. Fig. 2 and 3 show line switch lead terminations.

† Insulated and stored.

‡ Remove mounting cord (S-Y) (Y-S) leads, insulate and store.

§ For 1A KTS connect (BL-BK) key lead to BL terminal.

¶ Remove mounting cord (BL-V) (V-BL) leads; insulate and store.

Turn button may be used to

- (1) Operate auxiliary relay [through 5th R and T (G-BK) (BK-G) pair].
- (2) Cutoff ringer in set } connect 5th R and T (G-BK) (BK-G) pair to ringer or signal circuit.
- (3) Cutoff buzzer in set }
- (4) Cutoff external audible signal [connect 5th R and T (G-BK) (BK-G) pair to signal circuit; connect 6th R and T (BL-Y) (Y-BL) pair to external signal].

Note: 657B or 599B key wired as furnished in 2662A3 telephone set. To convert from pickup (locking) to signal (nonlocking) remove the P-10E837 screw from the plunger at key position being converted.

♦ TABLE E ♦

**CONDUCTOR ASSIGNMENTS USING
66E-TYPE CONNECTOR BLOCK OR A25B CONNECTOR CABLE**

| LEAD DESIG | TEL SET TERM.* | MTG CORD OR A25B CONN CABLE | | PLUG OR CONN | 66E-TYPE CONN BLOCK |
|----------------|-------------------|--------------------------------|--------------------|-----------------|------------------------|
| | | PAIR NO. | CONDUCTOR COLOR | PIN NO. | CLIP TERM. NO. |
| T | 26 | 1 | W-BL | 26 | 1 |
| R | 1 | | BL-W | 1 | 2 |
| A,H,S, or S1 | TB2-1 | 2 | W-O | 27 | 3 |
| A1 or B† | TB2-A1 | | O-W | 2 | 4 |
| LG | 38 | 3 | W-G | 28 | 5 |
| L1 | 13 | | G-W | 3 | 6 |
| T | 28 | 4 | W-BR | 29 | 7 |
| R | 3 | | BR-W | 4 | 8 |
| A,H,S, or S1 | TB2-2 | 5 | W-S | 30 | 9 |
| Spare or B† | ‡ | | S-W | 5 | 10 |
| LG | 39 | 6 | R-BL | 31 | 11 |
| L2 | 14 | | BL-R | 6 | 12 |
| T | 30 | 7 | R-O | 32 | 13 |
| R | 5 | | O-R | 7 | 14 |
| A,H,S, or S1 | TB2-3 | 8 | R-G | 33 | 15 |
| Spare or B† | ‡ | | G-R | 8 | 16 |
| LG | 40 | 9 | R-BR | 34 | 17 |
| L3 | 15 | | BR-R | 9 | 18 |
| T | 32 | 10 | R-S | 35 | 19 |
| R | 7 | | S-R | 10 | 20 |
| A, H, S, or S1 | TB2-4 | 11 | BK-BL | 36 | 21 |
| Spare or B† | ‡ | | BL-BK | 11 | 22 |
| LG | 41 | 12 | BK-O | 37 | 23 |
| L4 | 16 | | O-BK | 12 | 24 |
| T | 34 | 13 | BK-G | 38 | 25 |
| R | 9 | | G-BK | 13 | 26 |
| A,H,S, or S1 | TB2-5 | 14 | BK-BR | 39 | 27 |
| Spare or B† | ‡ | | BR-BK | 14 | 28 |
| LG | 42 | 15 | BK-S | 40 | 29 |
| L5 | 17 | | S-BK | 15 | 30 |
| T | 36 | 16 | Y-BL | 41 | 31 |
| R | 11 | | BL-Y | 16 | 32 |
| A,H,S, or S1 | TB2-6 | 17 | Y-O | 42 | 33 |
| Spare or B† | ‡ | | O-Y | 17 | 34 |
| LG | TB2-7 | 18 | Y-G | 43 | 35 |
| L6 | TB2-8 | | G-Y | 18 | 36 |
| BL or LS | TB2-BL | 19 | Y-BR | 44 | 37 |
| SG | TB2-SG | | BR-Y | 19 | 38 |
| B or B1 | TB1-7 | 20 | Y-S | 45 | 39 |
| R or R1 | A of net. | | S-Y | 20 | 40 |
| BZ1 | L2 of Net. | 21 | V-BL | 46 | 41 |
| BZ | L1 of Net. | | BL-V | 21 | 42 |
| Spare | ‡ | 22 | V-O | 47 | 43 |
| Spare | ‡ | | O-V | 22 | 44 |
| Spare or T1 | ‡ | 23 | V-G | 48 | 45 |
| Spare or R1 | ‡ | | G-V | 23 | 46 |
| Spare or IT | ‡ | 24 | V-BR | 49 | 47 |
| Spare or IR | ‡ | | BR-V | 24 | 48 |
| Spare or AG | ‡ | 25 | V-S | 50 | 49 |
| Spare or LK | ‡ | | S-V | 25 | 50 |

* Contacts of key plug unless otherwise noted.

† When set is used in 1A key telephone system, these balance leads must not be used for other purposes.

‡ Insulate and store.

SERVICE
2663A1 TELEPHONE SETS

1. GENERAL

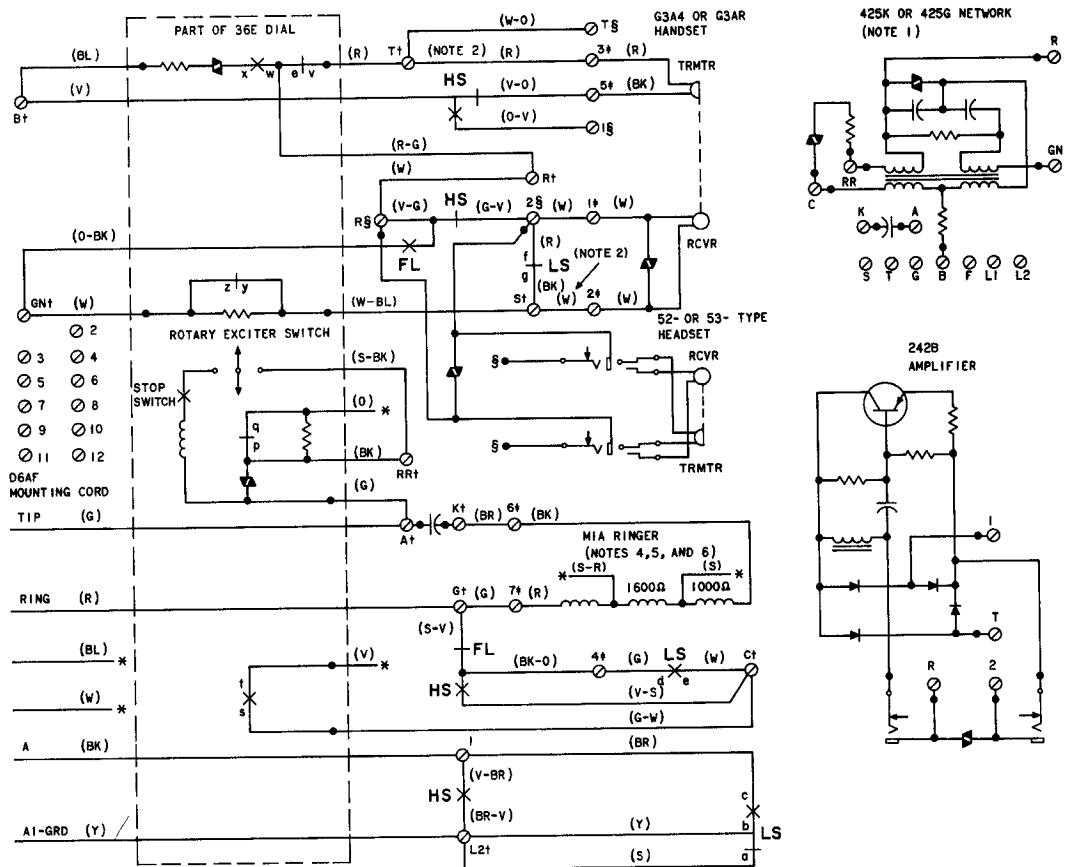
1.01 These sets are supplied factory wired with a 242B amplifier to provide for headset operation and are used with 1A1, 1A2, or 6A KTS. A 52- or 53-type headset must be ordered separately. For ordering and installation information refer to the appropriate Reference section in Division 502.

1.02 Connection information was formerly found in Section 502-660-423 which will be canceled.

TABLE A
P-90D012 POLARITY GUARD CONECTIONS

| LEAD | COLOR | REMOVE FROM | CONNECT TO | |
|----------------|-------|-------------|------------|----------------|
| | | NET. | NET. | POLARITY GUARD |
| Line Switch | W | C | | S |
| Headset Key | V-S | | | |
| Dial | BK | RR | | T |
| Polarity Guard | W | | C | |
| | G | | RR | |

Note: For use when specified by local instructions for end-to-end signaling installations.



- NOTES:
1. 425G NETWORK ELECTRICALLY THE SAME AS 425K NETWORK. THE 425K NETWORK PROVIDES S AND T TIE POINT TERMINALS.
 2. STRAPS REQUIRED ON 425K NETWORK.
 3. A KS-8109L2 OR KS-20419L1 BUZZER CAN BE MOUNTED IN THESE SETS FOR USE AS AN AUXILIARY SIGNAL. USE SPARE CONDUCTORS TO CONNECT TO EQUIPMENT.
 4. IF CAPACITOR IS NOT REQUIRED IN RINGER CIRCUIT, MOVE (BR) LEAD FROM K TO A OF NETWORK.
 5. TO SILENCE RINGER PERMANENTLY MOVE (R) RINGER LEAD FROM TERMINAL 7 TO TERMINAL 6 OF TBI.
 6. FOR LINE AND RINGER CONNECTIONS REFER TO TABLE B.
 7. LINE SWITCH SEQUENCE:
bc - MAKES
de - MAKES
ab - BREAKS
fg - BREAKS

- LEGEND
- * - INSULATE AND STORE
 - † - NETWORK TERMINAL, UNDESIGNATED TERMINALS ARE ON TB2
 - ‡ - TERMINAL ON TBI
 - § - TERMINAL OR CONNECTION ON 242B AMPLIFIER
- FL - FLASH KEY
HS - HEADSET ON-OFF KEY
LS - LINE SWITCH

CONNECTIONS ON 425G OR CURRENT 425K NETWORKS

| LEADS | COLOR | 425G | 425K |
|----------------|-------|----------|--------------|
| LINE SWITCH | BK | 2 OF TBI | S OF NETWORK |
| DIAL | W-BL | 3 OF TBI | T OF NETWORK |
| | R | | |
| 242B AMPLIFIER | W-0 | | |

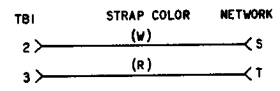


Fig. 1—2663A1 Telephone Set Connections

TABLE B

LINE AND RINGER CONNECTIONS – 2663A1 TELEPHONE SET

| WIRE OR LEAD | | COLOR | INDIV OR BRIDGED | RING PARTY | TIP PARTY | | | 1A1 OR 1A2 KEY TEL SYSTEM |
|--------------------------------------------|----------------------------|-------|------------------------|---------------|--------------------|--------------|--------|---------------------------------|
| | | | | | NO IDENT GROUND | IDENT GROUND | | |
| | | | | | | 1000 Ω | 2650 Ω | |
| Line Wire at Connecting Block | Tip Ring Grd A1 A | | 1 | 1 | 1 | 1 | 1 | 1 |
| | | | 2 | 2 | 2 | 2 | 2 | 2 |
| | | | 4 | 4 | 4 | 4 | 4 | 4 |
| | | | | | | | | |
| Mounting Cord at Connecting Block | | G | 1 | 1 | 1 | 1 | 1 | 1 |
| | | R | 2 | 2 | 2 | 2 | 2 | 2 |
| | | Y | 4 | 4 | 4 | 4 | 4 | 4 |
| | | BK | 5 | 5 | 5 | 5 | 5 | 5 |
| | | BL | 6 | 6 | 6 | 6 | 6 | 6 |
| | | W | 7 | 7 | 7 | 7 | 7 | 7 |
| Mounting Cord in Set | | G | A | G | A | A | A | A |
| | | R | G | A | G | G | G | G |
| | | Y | L2 | L2 | L2 | L2 | L2 | L2 |
| | | BK | TB2-1 | TB2-1 | TB2-1 | TB2-1 | TB2-1 | TB2-1 |
| | | BL | * | * | * | * | * | * |
| | | W | * | * | * | * | * | * |
| Ringer Leads | | R | TB1-7 | TB1-7 | TB1-7 | TB1-6 | TB1-6 | TB1-7 |
| | | BK | TB1-6 | TB1-6 | TB1-6 | TB1-7 | TB1-7 | TB1-6 |
| | | S | * | * | * | B | * | * |
| | | S-R | * | * | * | * | B | * |
| Ringer Straps | | BR | K | K | K | K | K | K |
| | | G | G | L2 | L2 | L2 | L2 | G |
| Dial Leads | | G | A | G | A | A | A | A |
| | | O-BK | C | C | C | C | C | C |
| Headset Key Lead | | S-V | G | A | G | G | G | G |

* Insulate and store

SERVICE

2660A1M TELEPHONE SETS

1. GENERAL

1.01 This section contains connection information for the 2660A1M (modular) telephone set (Fig. 1). For additional information refer to Sections 502-600-102 and 502-603-121. For 4A speakerphone connections refer to Section 512-730-450.

1.02 Reissued to:

- Delete connection information for 2-line pickup and exclusion options

- Revise Table A.

1.03 The 2660A1M telephone set is factory-wired for bridged ringing. For all other services, refer to Table A.

1.04 For polarity guard connections, refer to Table B.

NOTICE

Not for use or disclosure outside the
Bell System except under written agreement

Printed in U.S.A.

Page 1

◆ TABLE A ◆

LINE AND RINGER CONNECTIONS – 2660A1M TELEPHONE SETS

| WIRE OR LEAD | | | INDIV OR BRIDGED | RING PARTY | TIP PARTY | | | 1A1 OR 1A2 KEY TEL SYSTEM |
|----------------------------------------------|--------|---------|------------------------|---------------|-----------------------|--------------|---------|------------------------------------|
| | | | | | NO IDENT GROUND | IDENT GROUND | | |
| | | | | | | 1000Ω | 2650Ω | |
| Mtg Cord at Conn. Block | Tip | G | G | G | G | G | G | |
| | Ring | R | R | R | R | R | R | |
| | Grd A1 | Y | Y | Y | Y | Y | Y | |
| | A | BK | * | * | * | * | B | |
| 623P4 Jack Assy or Mtg Cord at Net. | Tip | G | G | G | G | G | A | |
| | Ring | R | L2 | L2 | L2 | L2 | L2 | |
| | Grd A1 | Y | L1 | L1 | L1 | L1 | G | |
| | A | BK | * | * | * | * | F | |
| Ringer Leads at TB1 | R | 7 | 7 | 7 | 7 | 7 | 7 | |
| | BK | 6 | 6 | 6 | 6 | 6 | 6 | |
| | S† | * | * | * | 5 | * | * | |
| | S-R† | * | * | * | * | 5 | * | |
| Line Switch Leads at Net. | BR | F | F | F | F | F | F | |
| | W | C | C | C | C | C | C | |
| | S | * | * | * | K | K | * | |
| Dial Leads at Net. | G | F | F | F | F | F | A | |
| Ringer Straps between TB2 and Net. | G | 7 to L2 | 7 to L2 | 7 to G | 7 to A | 7 to A | 7 to L2 | |
| | G-R | 6 to K | 6 to K | 6 to K | 6 to L1 | 6 to L1 | 6 to K | |
| Strap between Net. Term. | G | A to G | A to L1 | A to L1 | A to * | A to * | A to * | |

*Insulated and stored.

†Leads on M1A ringer only.

TABLE B

819040122 (P-90D012) POLARITY GUARD CONNECTIONS

| | TEL SET LEADS | | | POLARITY GUARD LEADS | |
|----------------|---------------------|------------|---------------------|----------------------|---------------|
| | (W) LINE SWITCH | (G-W) DIAL | (BK) DIAL | (W) | (G) |
| Remove From | C of network | | RR of network | — | — |
| Connect To | S of polarity guard | | T of polarity guard | C of network | RR of network |

Note: For use when specified by local instructions for end-to-end signaling.

SERVICE

2662A1M TELEPHONE SET

1. GENERAL

1.01 This section contains connection information for the 2662A1M telephone set (Fig. 1). For additional information refer to Sections 502-600-102 and 502-603-131. For 4A speakerphone connections, refer to Section 512-730-455.

1.02 Reissued to:

- Revise Table A
- Delete exclusion connection information
- Add speakerphone lead color information

1.03 When a 2662A1M telephone set is not used as a speakerphone set and is multipled with any other set capable of furnishing speakerphone feature, speakerphone leads must be disconnected, insulated, and stored either at the telephone set or at the multiplying point. If not disconnected, the speakerphone leads will provide a common path between the circuits of the multipled telephone sets. The leads to be disconnected are as follows: T1 (V-G), R1 (G-V), IT (V-BR), IR (BR-V), AG (V-S), and LK (S-V).

1.04 To install polarity guard, refer to Table A.

1.05 For key conversion from pickup to signaling, refer to Table B.

1.06 For conductor assignments on 66-type connecting block or A25B connector cable, refer to Table C.

1.07 The 1A1 or 1A2 KTS can be modified for I hold and station busy lamp options as shown in Fig. 2.

1.08 The 1A KTS can be modified for station busy lamp option as shown in Fig. 3.

◆ TABLE A ◆

819040122 (P-90D012) POLARITY
GUARD CONNECTIONS

| LEAD | | REMOVE FROM | CONNECT TO | |
|----------------|-----|-------------|------------|----------------|
| | | NET | NET | POLARITY GUARD |
| Dial | BK | RR | | T |
| | G-W | C | | S |
| Line Switch | W | C | | S |
| Polarity Guard | G | | RR | |
| | W | | C | |

Note: Polarity guard used when specified by local instruction for end-to-end signaling installation when battery and ground reversals may be encountered.

NOTICE

Not for use or disclosure outside the
Bell System except under written agreement

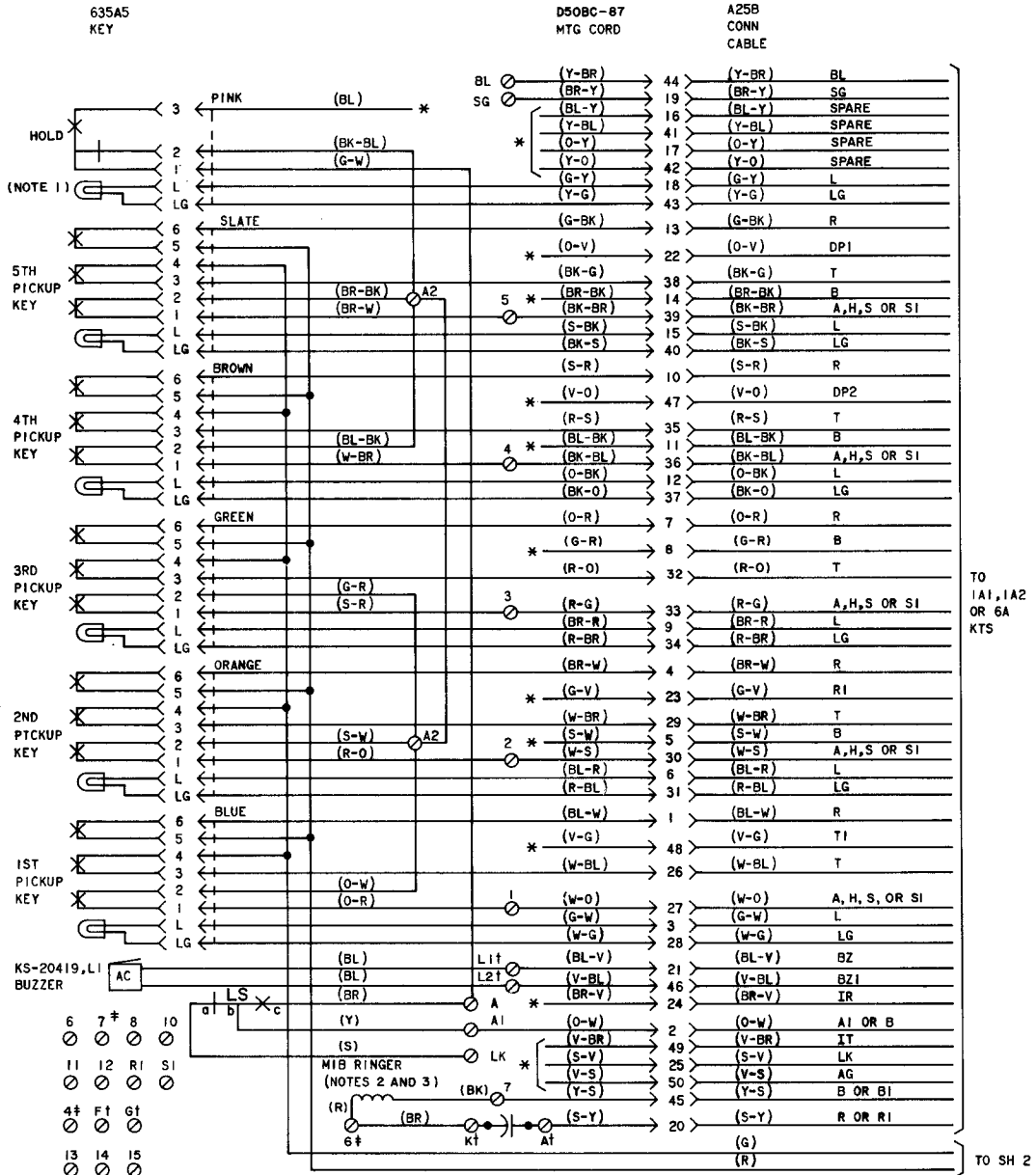


Fig. 1—2662A1M Telephone Set, Connections (Sheet 1 of 2)

NOTES:

1. TO USE 6TH LAMP, EQUIP KEY WITH THE PROPER LAMP AND CONNECT ASSOCIATED LEADS AT EQUIPMENT OR DISTRIBUTION TERMINAL AS REQUIRED.
2. IF CAPACITOR IS NOT REQUIRED IN RINGER CIRCUIT, MOVE (BR) STRAP FROM K TO A OF NETWORK.
3. TO SILENCE RINGER FOR ALL CLASSES OF SERVICE, REFER TO APPROPRIATE RINGER SECTION IN DIVISION 501.
4. TO PREVENT A FALSE HOLD CONDITION WHEN GOING ON-HOOK, THE TIP AND RING LINE SWITCH CONTACTS MUST BREAK BEFORE THE "A" LEAD CONTACTS BREAK. FIELD ADJUSTMENT OF LINE SWITCH IS NOT RECOMMENDED.

- * - INSULATED AND STORED
- † - NETWORK TERMINAL, UNDESIGNATED
- ‡ - TERMINAL ON TB2
- § - TERMINAL ON TB1
- H - HOLD KEY
- LS - LINE SWITCH

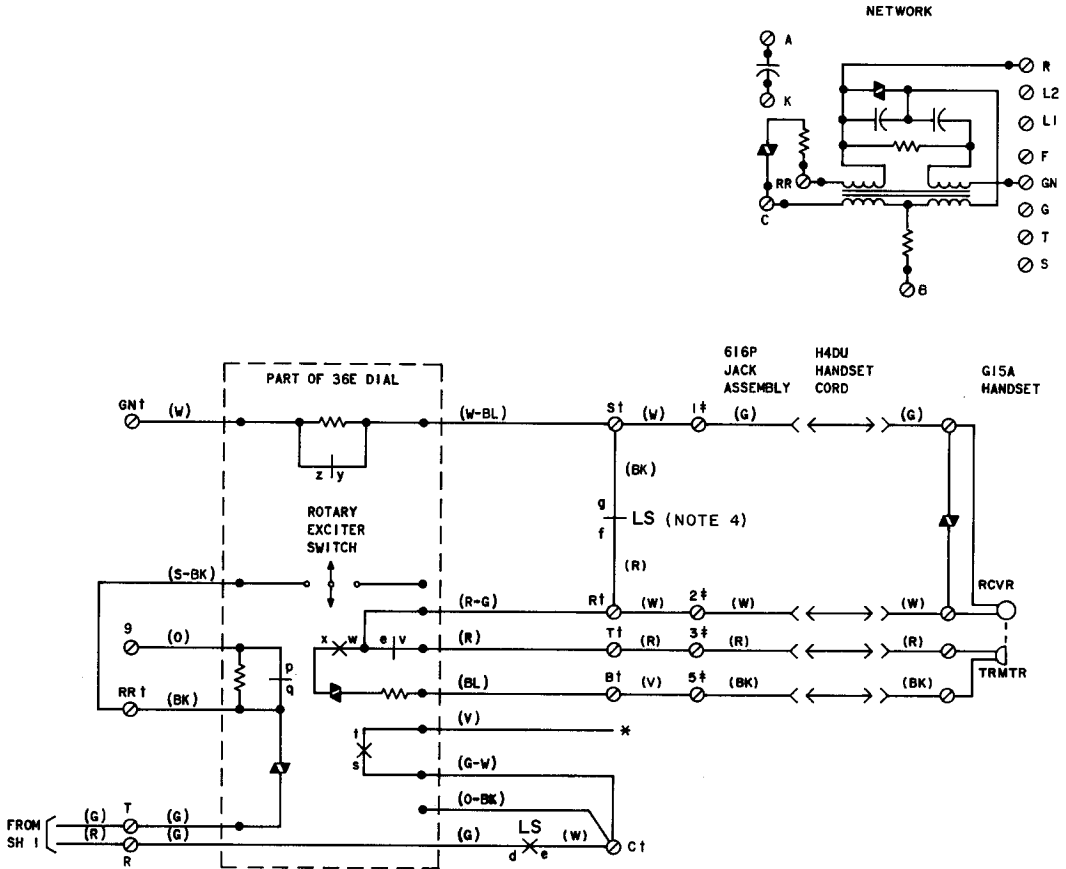
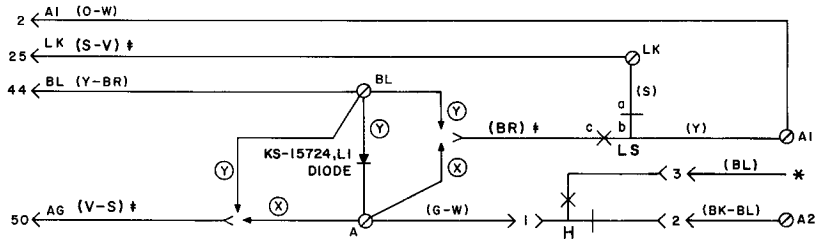
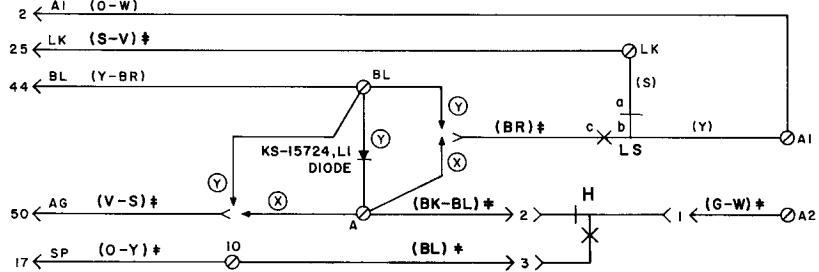


Fig. 1—2662A1M Telephone Set, Connections (Sheet 2 of 2)



A. WITHOUT I HOLD



B. WITH I HOLD

- LEGEND:
- * - INSULATED AND STORED
 - ‡ - LEADS INVOLVED IN MODIFICATION
 - H - HOLD KEY
 - LS - LINE SWITCH
 - (X) - WITHOUT BUSY LAMP
 - (Y) - WITH BUSY LAMP, USE KS-15724, LI DIODE

Fig. 2—1A1 or 1A2 KTS—I Hold and/or Station Busy Lamp Modification (2662A1M Telephone Set)

TABLE B

PICKUP-SIGNAL KEY CONVERSION, 2662A1M TELEPHONE SET

| CONVERSION OPTIONS | 635A5 KEY LEADS | | | | | |
|-----------------------|-----------------|-------|-------|---------|---------|--------|
| | (O-W) | (S-W) | (G-R) | (BL-BK) | (BR-BK) | (BR-W) |
| HPPPPP (Note) | A2 | A2 | A2 | A2 | A2 | 5 |
| HPPPPS | A2 | A2 | A2 | A2 | SG | 5 |
| HPPSSS | A2 | A2 | A2 | SG | SG | 5 |
| HPPSSS | A2 | A2 | SG | SG | SG | 5 |
| HPPPP*S* | A2 | A2 | A2 | S1 | A2† | S1 |
| HPPPP*P*S* | A2 | A2 | S1 | S1 | A2† | S1 |
| HPP*P*P*S* | A2 | S1 | S1 | S1 | A2† | S1 |

* These arrangements use line switch controlled ground for common signal key used with private or intercommunicating lines. Common signal should be used to operate a common signal relay. Do not wire directly to a buzzer.

† For 1A KTS connect (BR-BK) key lead to BL terminal.

Note: 635A5 key is furnished in 2662A1M telephone set. To convert from pickup (locking) to signal (nonlocking) remove 812857738 or P-28E773 screw from plunger at the key position being converted.

TABLE C
CONDUCTOR ASSIGNMENTS USING 66E-TYPE CONNECTOR BLOCK OR A25B CONNECTOR CABLE

| LEAD DESIG | 2662A1M TEL SET TERM.† | MTG CORD OR A25B CONN CABLE | | PLUG OR CONN | 66E-TYPE CONN BLOCK |
|-------------------------------|------------------------------|--------------------------------|----------------|--------------|------------------------|
| | | PAIR NO. | COND COLOR | PIN NO. | CLIP TERM. NO. |
| T R | 3 6 | 1 | W-BL BL-W | 26 1 | 1 2 |
| A, H, S, or S1 A1 or B† | TB2-1 TB2-A1 | 2 | W-O O-W | 27 2 | 3 4 |
| LG L1 | LG L | 3 | W-G G-W | 28 3 | 5 6 |
| T R | 3 6 | 4 | W-BR BR-W | 29 4 | 7 8 |
| A, H, S, or S1 Spare or B† | TB2-2 * | 5 | W-S S-W | 30 5 | 9 10 |
| LG L2 | LG L | 6 | R-BL BL-R | 31 6 | 11 12 |
| T R | 3 6 | 7 | R-O O-R | 32 7 | 13 14 |
| A, H, S, or S1 Spare or B† | TB2-3 * | 8 | R-G G-R | 33 8 | 15 16 |
| LG L3 | LG L | 9 | R-BR BR-R | 34 9 | 17 18 |
| T R | 3 6 | 10 | R-S S-R | 35 10 | 19 20 |
| A, H, S, or S1 Spare or B† | TB2-4 * | 11 | BK-BL BL-BK | 36 11 | 21 22 |
| LG L4 | LG L | 12 | BK-O O-BK | 37 12 | 23 24 |
| T R | 3 6 | 13 | BK-G G-BK | 38 13 | 25 26 |
| A, H, S, or S1 Spare or B† | TB2-5 * | 14 | BK-BR BR-BK | 39 14 | 27 28 |
| LG L5 | LG L | 15 | BK-S S-BK | 40 15 | 29 30 |
| Spare Spare | * * | 16 | Y-BL BL-Y | 41 16 | 31 32 |
| Spare Spare | * * | 17 | Y-O O-Y | 42 17 | 33 34 |
| LG L6 | LG L | 18 | Y-G G-Y | 43 18 | 35 36 |
| BL SG | TB2-BL TB2-SG | 19 | Y-BR BR-Y | 44 19 | 37 38 |
| B or B1 R or R1 | TB1-7 A of net | 20 | Y-S S-Y | 45 20 | 39 40 |
| BZ1 BZ | L2 of net L1 of net | 21 | V-BL BL-V | 46 21 | 41 42 |
| Spare or DP2 Spare or DP1 | * * | 22 | V-O O-V | 47 22 | 43 44 |
| Spare or T1 Spare or R1 | * * | 23 | V-G G-V | 48 23 | 45 46 |
| Spare or IT Spare or IR | * * | 24 | V-BR BR-V | 49 24 | 47 48 |
| Spare or AG Spare or LK | * * | 25 | V-S S-V | 50 25 | 49 50 |

* Insulate and store.

† When set is used in 1A key telephone system, these balance leads must not be used for other purposes.

‡ Contracts of key plug unless otherwise noted.

870A1 AND 2870A1 TOUCH-A-MATIC® 32 ADJUNCT DIAL IDENTIFICATION, INSTALLATION, CONNECTIONS, OPERATION, AND MAINTENANCE

| CONTENTS | PAGE | CONTENTS | PAGE |
|--------------------------------------------------------------------------------------------|------|-----------------------------------------------------------------------------------------------------------------------|------|
| 1. GENERAL | 1 | 4. CONNECTIONS | 14 |
| 2. IDENTIFICATION | 2 | 5. OPERATION | 14 |
| A. Design Features | 2 | A. Record A Number Into Memory | 14 |
| B. Optional Features | 3 | B. Change A Number In Memory | 15 |
| C. Ordering Guide | 4 | C. Delete A Number From Memory | 15 |
| D. Operating Features | 5 | D. Automatically Dial A Number From Memory | 15 |
| 3. INSTALLATION | 5 | E. LAST NUMBER DIALED Feature | 15 |
| STANDARD INSTALLATION | 5 | F. End-to-End Signal (2870A1 Only) | 16 |
| A. Installation Check Procedure | 6 | 6. MAINTENANCE | 16 |
| 870A1 (Rotary Service) Dial | 6 | A. Trouble Analysis | 16 |
| 2870A1 (TOUCH-TONE® Service) Dial | 8 | B. Battery | 17 |
| OPTIONAL APPARATUS INSTALLATION | 9 | C. Memory | 17 |
| A. D-180493 Kit of Parts (Dial Tone Detector and One-Touch Calling Switch) | 9 | D. Dial | 17 |
| B. D-180818 Kit of Parts (Record Disable and Dial Intermix Feature) | 9 | E. Line Sensing Relay Printed Wiring Board Assembly | 18 |
| COMPONENT LOCATION AND ACCESS INFORMATION | 10 | F. Faceplate (Conversion From 870A2 or 2870A2 to 870B1 or 2870B1) | 18 |
| A. Power Supply Board (PSB) Terminals | 11 | G. Defective Dial Adjunct Which Has A D-180837 Kit of Parts Installed | 18 |
| B. Faceplate Removal | 12 | 1. GENERAL | |
| C. Housing Removal | 13 | 1.01 This section contains information on the 870A1 (rotary) and the 2870A1 (TOUCH-TONE® service) Fig. 1 dials. | |

NOTICE

Not for use or disclosure outside the
Bell System except under written agreement



NOTE:

THE 870A1 DIAL APPEARS THE SAME AS THE 2870A1 DIAL EXCEPT THAT IT IS EQUIPPED WITH AN 8-TYPE ROTARY DIAL

Fig. 1—2870A1 Dial

1.02 This section is reissued to:

- Add D-180837 Kit of Parts
- Include connection information for 851BM, 851CM, 2851BM, 2851CM, 852AM, and 2852AM telephone sets in Tables F and G
- Add safety information for the 95B-type power unit.

1.03 These dials are factory-wired as an adjunct dialer to provide manual and automatic rotary (870A1) or TOUCH-TONE (2870A1) dialing service when interfaced with a multiline or nonmodular telephone set or console. For modular single line application, the 870B1M or 2870B1M dials should be provided.

1.04 These dials are shipped from the factory in the Ivory (-50) housing only. However,

housings are available in additional colors per paragraph 2.05(e).

2. IDENTIFICATION

2.01 These dials provide manual dialing plus automatic dialing of 31 frequently called numbers, and a LAST NUMBER DIALED scratch pad memory.

A. Design Features

2.02 The following are design features:

- Integrated circuit memory
- Memory buttons from which to select preprogrammed telephone numbers for automatic dialing

♦TABLE A♦

OPTIONS

| OPTION | ADDITIONAL ITEMS REQUIRED | CONNECT 870A1 PER | | CONNECT 2870A1 PER | |
|--------------------------------------------|--------------------------------------|-------------------|-------|--------------------|-------|
| | | FIG. | TABLE | FIG. | TABLE |
| One-Touch Calling (Note 1) | D-180493 Kit of Parts | 9B, D, E | B | 11B, D, E | B |
| Dial Tone Detector | | 9B, D | | 11B, D | |
| Record Disable Only | D-180818 Kit of Parts (Note 2) | 5 | C | 5 | C |
| Record Disable and Dial Intermix | | | | | |
| Record Disable Only | D-180837 Kit of Parts (Note 2) | | D | | E |
| Record Disable and Dial Intermix | | | | | |
| Record Disable and Manual Dial Lock-out | | | | | |

Note 1. Associated telephone set must be equipped with 3B (MD) or 4A speakerphone system.

Note 2. Adjunct dial must be equipped with an 870B or 2870B Memory when these kits are provided.

- Capability to record and automatically dial 31 telephone numbers of up to 15 digits each
- Last number manually dialed memory
- Plug-in battery
- Capability to pause for subsequent dial tones during automatic dialing (WAIT input).

B. Optional Features

2.03 The following are optional features.

- Decorative Faceplate.
- Speakerphone—these dials interface with telephone sets using either 3B (MD) or 4A speakerphone systems.
- Dial Tone Detector—automatically starts dialer when precise TOUCH-TONE dial tone (350 Hz and 440 Hz) is present.

- One-Touch Calling—depressing one memory button will automatically turn on speakerphone, detect dial tone, and dial complete number.

Note: All dial tones encountered in the process of placing a call must be precise TOUCH-TONE dial tone (350 Hz and 440 Hz) if the call is to be completed automatically.

- D-180818 Kit of Parts provides the following features.

(a) Record Disable Only—turns off recording feature to prevent accidental erasures of previously stored numbers. No recording possible except for LAST NUMBER DIALED memory which will store digits dialed manually from adjunct dial.

(b) Record Disable and Dial Intermix—same as record disable feature plus.

(1) Allows digits dialed with manual dial and from memory to be intermixed without having to depress the RECORD OFF button.

(2) Disables the LAST NUMBER DIALED feature.

- D-180837 Kit of Parts (a low-level security key-lock switch located in the rear of the lower housing) provides the following features.

Note: Normally installed at the service center and not recommended for field installation.

Note: Adjunct dial must be equipped with either an 870B (rotary service) or 2870B (TOUCH-TONE service) memory.

Note: The 2870A1 dial must be equipped with a 4228-type network.

- Record Disable Only—turns off recording feature to prevent accidental erasures of previously stored numbers. No recording possible except for Last Number Dialed memory which will automatically store digits dialed manually from the adjunct dial.
- Record Disable and Dial Intermix—same as record disable feature plus.
 - Allow digits dialed with manual dial and from memory to be intermixed without having to depress the RECORD OFF button.
 - Disables the Last Number Dialed feature.
 - Last Number Dialed position functions like the other memories.
- Record Disable and Manual Dial Lock-out.
 - Turns off record feature.
 - Manual dial electrically inoperative.
 - Last Number Dialed position can be utilized just like the other memory positions to store frequently dialed numbers.♦

2.04 All options are implemented by:

- Wiring changes in the applicable dial

- Wiring changes in the telephone set or console to which the dial is an adjunct
- Installation of appropriate additional items.

C. Ordering Guide

2.05 Ordering guide, order as follows.

- Either of these dials may be ordered complete and ready to install as:
 - Dial, 870A1-50 (Rotary service)
 - Dial, 2870A1-50 (TOUCH-TONE service).
- Ordered Separately.**
 - Unit, Power, 95B1 (required for operation of the automatic dialing feature).

Note: One power unit is required for each adjunct dial.

- Decorative Faceplate, see paragraph 2.05(e).

(c) The 870A1-50 dial may be ordered in its component parts as follows:

- Housing, Lower, 870ADJ1-50
- Housing, Upper, 870A1U-50
- Faceplate, 870B1-122 (Matte Aluminum)
- 841382575 Dial Base (includes the following):
 - Dial, 8EA-119
 - 841382880 Line Sensing Printed Wiring Board Assembly
 - Cord, Mounting, D10U-87
 - Cord, Power, M2SL-87
 - Battery, KS-20390L4
 - Memory, 870B
 - 841382617 Power Supply Printed Wiring Board (PSB) Assembly
 - 840393672 Directory Sheet Set

Booklet, Instruction, Subscriber, SIB-2481B

(d) **The 2870A1-50 dial may also be ordered in its component parts as follows:**

- Housing, Lower, 870ADJ1-50
- Housing, Upper, 870A1U-50
- Faceplate, 2870B1-122 (Matte Aluminum)
- 841381965 Dial Base (includes the following):
Dial, 35AG3A
841382880 Line Sensing Printed Wiring Board Assembly
Cord, Mounting, D10U-87
Cord, Power, M2SL-87
Battery, KS-20390L4
Memory, 2870B
841382385 Power Supply Printed Wiring Board (PSB) Assembly
840393672 Directory Sheet Set
Booklet, Instruction, Subscriber, SIB-2481B.

(e) **Optional Apparatus (order as required):**

- Housing, Lower, 870ADJ1-†
- Housing, Upper, 870A1U-†
- Faceplate, Decorative, 870B1-† or 2870B1-†
- Cord, Mounting, D10Y-50 (Required when adjunct dial connected to some MET sets and some COM-KEY* sets)
- Kit of Parts, D-180493 (Dial Tone Detector and One-Touch Calling Switch)
- Kit of Parts, D-180818 (Record Disable and Dial Intermix)

*Trademark of AT&TCo.

Note: The D-180818 Kit of Parts can only be used on dials equipped with an 870B or 2870B Memory.

D. Operating Features (Fig. 1)

2.06 Operate as follows.

- Dial.
- 32-button array of low force, low travel nonlocking memory buttons arranged in three columns. Left and right columns have eleven buttons, center column has ten buttons.
- LAST NUMBER DIALED button located in lower right corner of memory array, when momentarily depressed, automatically redials the last number manually dialed from the adjunct dial.
- RECORD button (nonlocking), when momentarily depressed, lights the RECORD lamp and enables the memory circuits to store telephone numbers.
- RECORD OFF button (nonlocking), when momentarily depressed extinguishes the RECORD lamp, indicating that the dialer is switched out of the record mode.
- WAIT button (nonlocking), when momentarily depressed during recording operation, enters a code into memory to initiate a halt in the automatic dialing sequence [used where access digit(s) required].

3. INSTALLATION

STANDARD INSTALLATION

3.01 Connect the adjunct dial to the telephone set using the D10U-87 or D10Y-50 mounting cord. Refer to Fig. 6 and 7 for basic interface connections and to Tables F through I for specific connections.

† Color suffix as follows: (-03) Black, (-51) Green, (-58) White, and (-60) Light Beige.

‡ Color suffix as follows: (-108) Teak Woodgrain or (-109) Walnut Woodgrain.

Caution: Do not plug in either battery or power unit until all connections and modifications are completed. Take extreme care not to damage the exposed components, circuit, etc. when the set is opened.

3.02 The dials are shipped from the factory with the battery disconnected. After all wiring changes and modifications have been completed, connect the battery by tilting the adjunct dial up and inserting the battery plug into the mating jack.

Note: Write date of battery installation on label provided.

3.03 Connect the M2SL-87 power cord to the power unit and plug the power unit into an ac outlet not controlled by a switch (continuous ac power is required). A retaining clamp (841050818) will be shipped with the 95B-type power unit and should be mounted to the ac receptacle to hold power unit securely and prevent accidental loss of power.

Danger: For safety, securely attach retaining clamp to ac outlet using outlet cover screw BEFORE attempting to install 95B-type power unit. The power unit and any other cord plugged into the ac outlet should always be unplugged completely from the outlet BEFORE attempting attach or remove the retaining clamp. This will prevent the possibility of a loosened retainer clamp or metallic outlet cover making contact with the ac prongs of the power unit when partially withdrawn from outlet. Do not use retaining clamp on outlets where the cover mounting screw holds the duplex outlet in the box.

Warning: Care should be taken to trim and dress leads connecting to low voltage output terminals of 95B-type power unit to assure that inadvertent connection to conducting surfaces or other power source does not occur. If more than one power unit is plugged into a multiple receptacle power strip, there must be at least one inch separation between power units. Only UL listed receptacle

power strips with adequate power rating shall be used. Use of a continuous terminal power strip that allows the secondary output terminals of the power unit to be in close proximity to the ac line source is not recommended.

Note: The power unit must be located no closer than 1-1/2 feet from the dial in order to prevent a potential noise condition.

3.04 Directory sheets (Fig. 2) are held in place under the faceplate. Additional sheets are available in directory sheet set.

A. Installation Check Procedure

870A1 Dial

3.05 870A1 (Rotary Service) Dial.

(1) Check operation of line sensing circuit per the following tests. (Refer to Part 5 for operation.) In case of failure, refer to Table J (Trouble Analysis).

(a) With telephone handset on-hook, momentarily depress RECORD button—RECORD lamp should light.

(b) Lift telephone handset off-hook—RECORD lamp should be extinguished.

(2) Using the telephone set dial, manually dial a known number to check that the telephone set operates correctly.

(3) For the adjunct dial, perform dial speed test as follows.

(a) Obtain dial tone.

(b) Dial code number for dial speed test.

(c) After dial tone is heard again, manually dial digit 0. One of the following audible signals will indicate how the dial meets the requirements of the test.

(1) Audible ringback—dial speed satisfactory.

(2) Rapidly interrupted dial tone—dial speed fast.

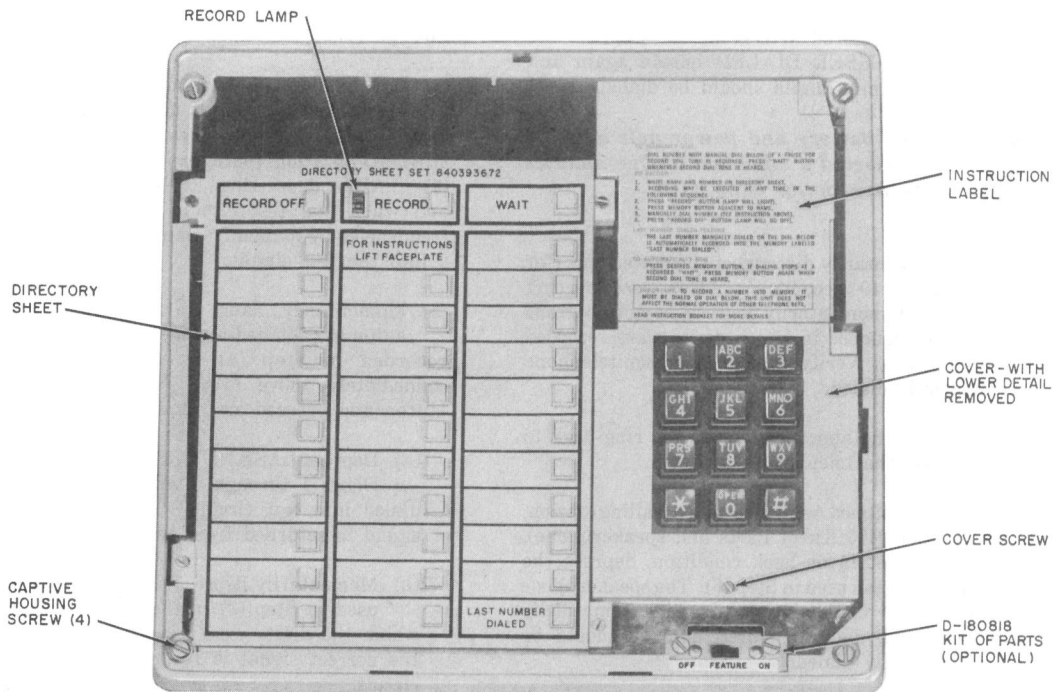


Fig. 2—2870A1 Dial, Faceplate Removed

- (3) Slowly interrupted dial tone—dial speed slow.
- (4) With the telephone handset on-hook, use the dial on the adjunct to record known telephone numbers, storing consecutive digits of the numbers in sequential memory locations. Fill all memory locations except LAST NUMBER DIALED and the location immediately above it [paragraph 5.01 (4) through (7)].
- (5) Automatically dial the telephone numbers stored in Step (4) by momentarily depressing the memory buttons in the same sequence in which the digits were recorded. Verify that the digits thus dialed produce the expected telephone numbers.
- (6) Go off-hook and use the dial on the adjunct to record a known telephone number into memory location immediately above LAST

NUMBER DIALED location [paragraph 5.01 (4) through (7)].

- (7) Momentarily hang up handset and then automatically dial the number recorded in Step (6).
- (8) Go off-hook and from the adjunct, manually dial a known telephone number.

Note: If a pause for second dial tone is required, dial the access digit(s). After the RECORD lamp relights, depress the WAIT button then dial the telephone number.

- (9) Momentarily hang up handset and then automatically redial the number [dialed in Step (8)] by depressing the LAST NUMBER DIALED button.

Note: The dial should stop dialing if it reaches a stored WAIT input. Depress the LAST NUMBER DIALED button again and the remaining digits should be dialed.



The battery and power unit must be connected a minimum of five minutes before doing Step (10).

- (10) Momentarily disconnect the power unit (for 5 to 10 seconds). After reconnecting power unit, momentarily depress memory buttons in same sequence in which digits were recorded in Step (4). Verify that the correct telephone number is dialed.
- (11) Dial the appropriate code for ring-back to test the telephone set ringer.
- (12) If equipped with one-touch calling option, (D-180493 Kit of Parts and speakerphone), and with set in on-hook condition, depress the memory button used in Step (6). The speakerphone should turn on, dial tone should automatically be detected, and the stored number should be automatically dialed.

2870A1 Dial

3.06 2870A1 (TOUCH-TONE Service) Dial

- (1) Check operation of the line sensing circuit per the following tests. (Refer to Part 5 for operation.) In case of failure, refer to Table K (Trouble Analysis).
 - (a) With the telephone handset on-hook, momentarily depress the RECORD button—RECORD lamp should light.
 - (b) Lift telephone handset—RECORD lamp should be extinguished.
- (2) Using the telephone set dial, manually dial a known number to check that telephone set operates correctly.
- (3) With the telephone handset on-hook, use the dial on the adjunct to record digits 1 through 0 in consecutive memory locations, storing one digit per memory. Fill all memory locations except LAST NUMBER DIALED and the memory

location immediately above it [paragraph 5.01 (4) through (7)].

- (4) Lift handset off-hook and record CO dial test and ringer circuit number into memory location immediately above LAST NUMBER DIALED location [paragraph 5.01 (4) through (7)]. After depressing RECORD OFF button, and when dial test circuit is ready, test dial frequencies by manually dialing digits 1 through 0 into the test circuit.
- (5) Momentarily hang up handset and then automatically redial the test circuit number recorded in Step (4) by depressing button immediately above LAST NUMBER DIALED button and proceed as follows:
 - (a) Depress LAST NUMBER DIALED button. Digits 1 through 0 will be automatically dialed into test circuit. Verify that correct signal is returned from test circuit.
 - (b) Momentarily depress the memory buttons used in Step (3) in the same sequence in which the digits were recorded. Verify that the correct signal is returned from the test circuit.



The battery and power unit must be connected a minimum of five minutes before doing Step (c).

- (c) Disconnect the power unit from the ac outlet. With the handset off-hook and using the telephone set dial, manually dial a known number to check that the telephone set operates correctly.

Note: With ac power removed, the adjunct dial is inoperative.

- (6) Reconnect the power unit, momentarily depress the LAST NUMBER DIALED button. Verify that the number dialed is the same as that recorded in Step (4).
- (7) If equipped with one-touch calling option (D-180493 Kit of Parts and speakerphone), and with the telephone set in on-hook condition, depress the memory button previously used in Step (4). The speakerphone should turn on, dial

tone should automatically be detected, and the stored number should be automatically dialed.

OPTIONAL APPARATUS INSTALLATION

A. D-180493 Kit of Parts (Dial Tone Detector and One-Touch Calling Switch)

3.07 To install.

- (1) Remove the housing (paragraph 3.11), and access PSB terminal board (paragraph 3.09).
- (2) Insert the dial tone detector board assembly from the back of the dial, such that the two tabs on the board assembly fit into the slots in the chassis (Fig. 3).
- (3) Insert the self-threading screw through the side of the chassis to secure the board in position.
- (4) Mount the one-touch calling switch below the dial with the two screws provided.

Note: If the switch for D-180818 Kit of Parts is already present, the one-touch calling switch cannot be installed. The terminals on the PSB to which the one-touch switch should have been connected (Table B) shall be strapped together. (The one-touch calling option can no longer be disabled by the subscriber.)

- (5) Connect per Table B.
- (6) Break off the detail at the bottom of the cover (Fig. 4) and trim edge as required.
- (7) Verify correct operation of option.
- (8) Reassemble.

B. D-180818 Kit of Parts (Record Disable and Dial Intermix Feature)

3.08 To install.

- (1) Remove faceplate (paragraph 3.10).
- (2) Loosen the captive screw at the bottom of the cover around the dial and remove the cover (Fig. 2).

- (3) Disengage dial from chassis (paragraph 6.05 or 6.06).
- (4) Loosen the four captive Memory mounting screws (Fig. 3).
- (5) Rotate the left edge of the Memory upward as shown in Fig. 4.

Note: If existing memory is 870A or 2870A, it must be replaced with 870B or 2870B, respectively. Carefully repack existing memory to ensure recovery.

- (6) Mount switch below dial with the two screws provided.

Note: If the one-touch calling switch (D-180493 Kit of Parts) is already present it shall be removed and the PSB terminals to which it was connected (Table B) shall be strapped together. (The one-touch calling option can no longer be disabled by the subscriber.)

- (7) Connect switch lead connectors to terminal posts on memory board per Table C.
- (8) Set feature switch to OFF position and verify that dial operates in normal manner.
 - Numbers can be recorded into memory
 - Numbers can be deleted or changed in memory
 - Numbers can be automatically dialed.
- (9) Set feature switch to ON position and verify feature provided.
 - Record disable only feature.
 - (a) Record lamp will not light when RECORD button depressed.
 - (b) No telephone numbers can be recorded, deleted, or changed in memory.
 - (c) LAST NUMBER DIALED feature still operative.
 - Record disable and dial intermix features.

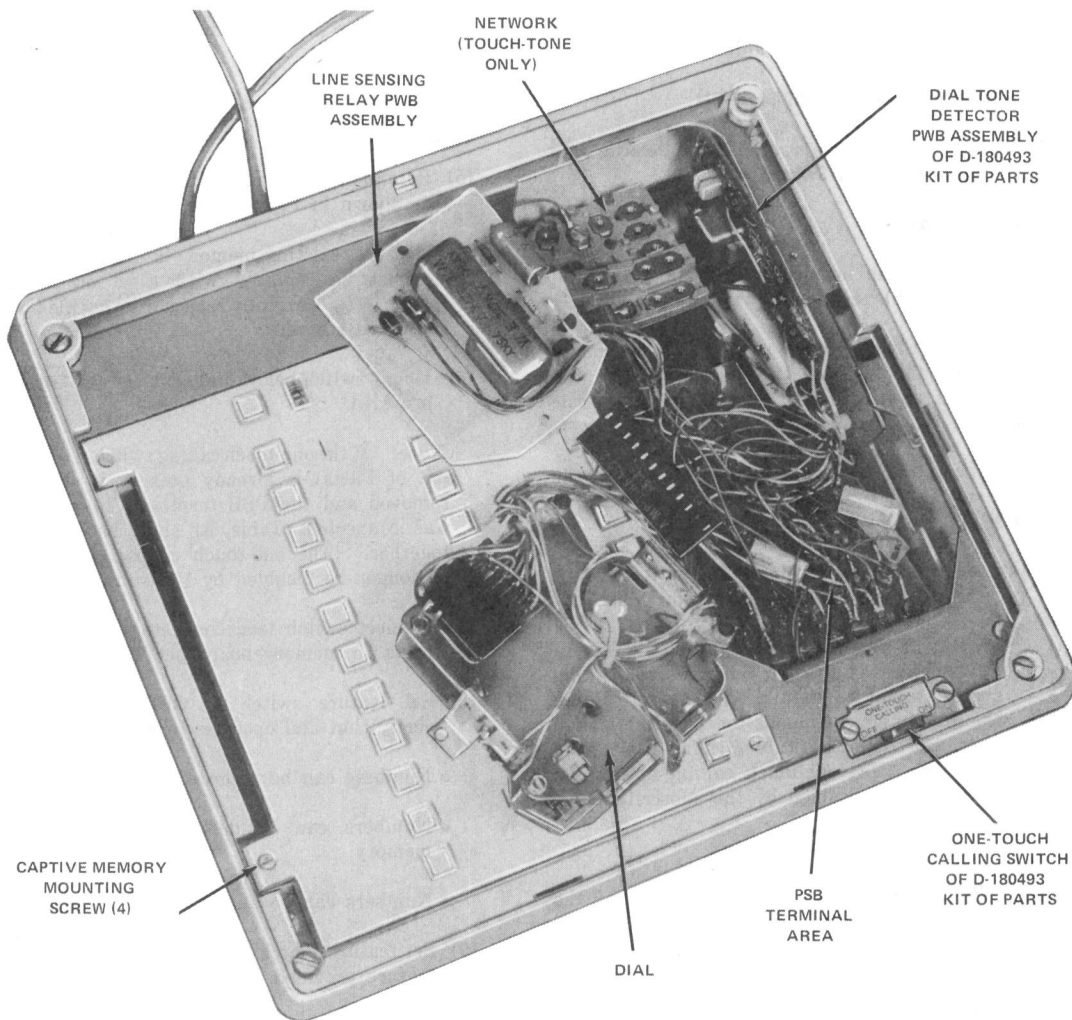


Fig. 3—2870A1 Dial, Dial and Memory Removed to Show Terminal Area

- (a) Record lamp will not light when RECORD button is depressed.
 - (b) No telephone numbers can be recorded, deleted, or changed in memory.
 - (c) Manually and automatically dialed digits may be intermixed. (Depression of RECORD OFF button not required.)
 - (d) LAST NUMBER DIALED feature disabled.
- (10) Reassemble adjunct dial.

COMPONENT LOCATION AND ACCESS INFORMATION

Warning: *When it is necessary to access component parts of terminal areas, ac power must be disconnected.*

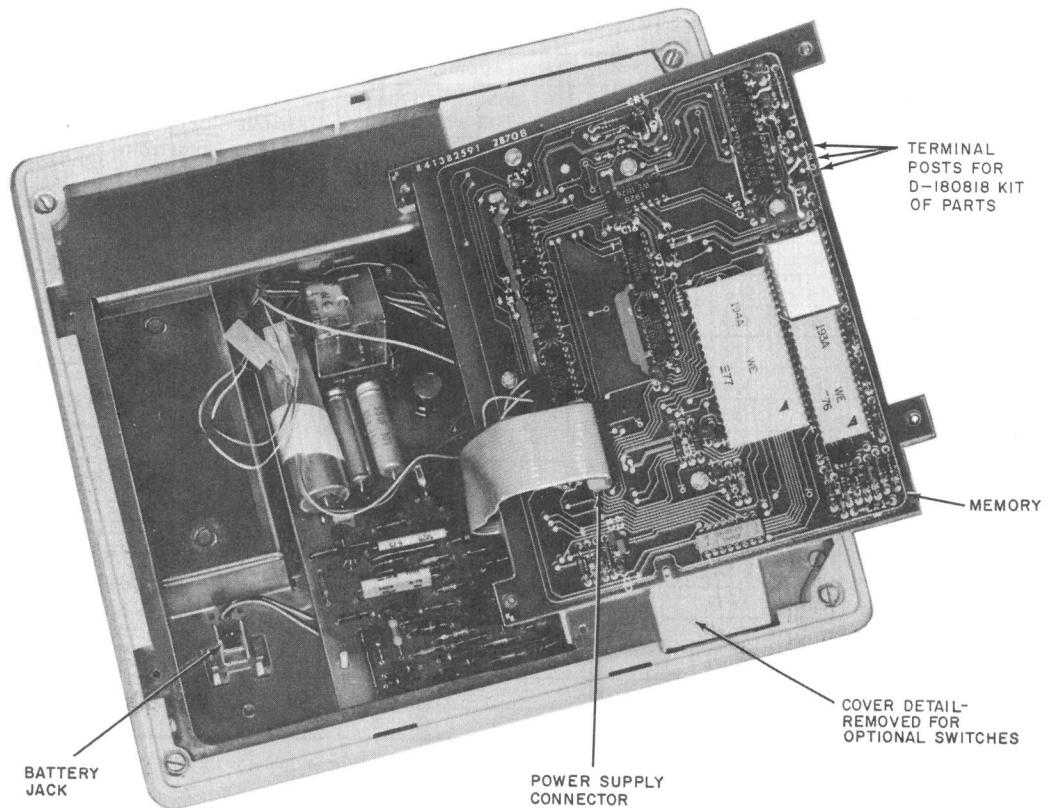


Fig. 4—2870A1 Dial, Internal View

A. Power Supply Board (PSB) Terminals

3.09 To access the terminal field on the power supply board, proceed as follows.

- (1) Disconnect power unit from ac outlet.
- (2) Remove the faceplate (paragraph 3.10).
- (3) Loosen the captive cover screw at the bottom of the cover around the dial (Fig. 2).
- (4) Remove the cover.
- (5) Loosen the two captive dial mounting screws.

Note: On units with metal dial brackets, the screws will have to be removed.

- (6) On the 870A1 dial, place the 8-type dial aside to gain access to some of the PSB terminals. On the 2870A1 dial, carefully disengage the connector of the 35-type dial and rotate the dial onto the memory button field (Fig. 3).
- (7) Remove the two mounting screws for the Line Sensing Relay Board and place the board assembly aside to access the remaining terminals on the PSB.
- (8) To reassemble, reverse this procedure.

TABLE B

CONNECTIONS FOR DIAL TONE DETECTOR ONLY AND ONE-TOUCH CALLING (NOTE)

| APPARATUS | LEAD | | ON 870A1 DIAL | | | ON 2870A1 DIAL | | | |
|------------------------------|--------------------|----------|-----------------|--------------------------|-------------------|-----------------|--------------------------|-------------------|----|
| | | | REMOVE FROM PSB | CONNECT TO PSB TERM. FOR | | REMOVE FROM PSB | CONNECT TO PSB TERM. FOR | | |
| | DESIG | COLOR | | DIAL TONE DETECTOR ONLY† | ONE-TOUCH CALLING | | DIAL TONE DETECTOR ONLY† | ONE-TOUCH CALLING | |
| 870A1 or 2870A1 Dial Adjunct | Strap | BK | 11 | * | * | 19 | * | * | |
| | Strap | BK | 20§ | — | * | 26 | * | * | |
| | Strap | BK | 23 | * | * | 29§ | — | * | |
| D-180493 Kit of Parts | Dial Tone Detector | Input | G-R | | 2 | 2 | | 16 | 16 |
| | | PB | O-BK | | 7 | 7 | | 9 | 9 |
| | | Input | G-R | | 16 | 16 | | 17 | 17 |
| | | DT | O-Y | | 11 | 11 | | 19 | 19 |
| | | LK | Y-G | | * | 13 | | * | 33 |
| | | VDD | R-O | | 17 | 17 | | 21 | 21 |
| | | SPR | Y-BL | | * | 18 | | * | 27 |
| | | DR | Y-O | | 19 | 19 | | 24 | 24 |
| | | COM | BK-O | | 20 | 20 | | 29 | 29 |
| | | SPO | G-Y | | * | 21 | | * | 34 |
| | | PL | O-R | | 22 | 22 | | 25 | 25 |
| | | DTT | BL-Y | | 23 | 23 | | 26 | 26 |
| | | Switch ‡ | S1 | S | | * | 15 | | * |
| | S2 | | S | | * | 20 | | * | 29 |

Note: For connection of D10U-87 or D10Y-50 cord at telephone set end. Refer to Tables F through I.

* Insulate and store.

† When dial tone detector only is provided, first dial tone may or may not be precise (350 Hz and 440 Hz) but all subsequent dial tones must be precise.

‡ Switch is required for one-touch calling option only (dial tone detector and speakerphone) and all dial tones must be precise (350 Hz and 440 Hz).

§ Do not remove from PSB when dial tone detector only is provided.

B. Faceplate Removal

3.10 To remove, proceed as follows.

(a) 870B1 or 2870B1 faceplate.

- (1) The B1 faceplate is held in place by a spring clip attached to the 870A1U upper housing. To disengage the faceplate, lift up on the tab which protrudes from the center of the back edge of the faceplate.

(b) 870A2 (MD) or 2870A2 (MD) faceplate.

- (1) For those adjunct dials equipped with a 870A2-87 or 2870A2-87 faceplate, it is held in place by two snaps bonded to the faceplate and aligned to fit holes in the chassis. To remove the faceplate, grasp it by any convenient edge and lift off.

Note: The B1 faceplate is not a direct replacement for the A2 faceplate described

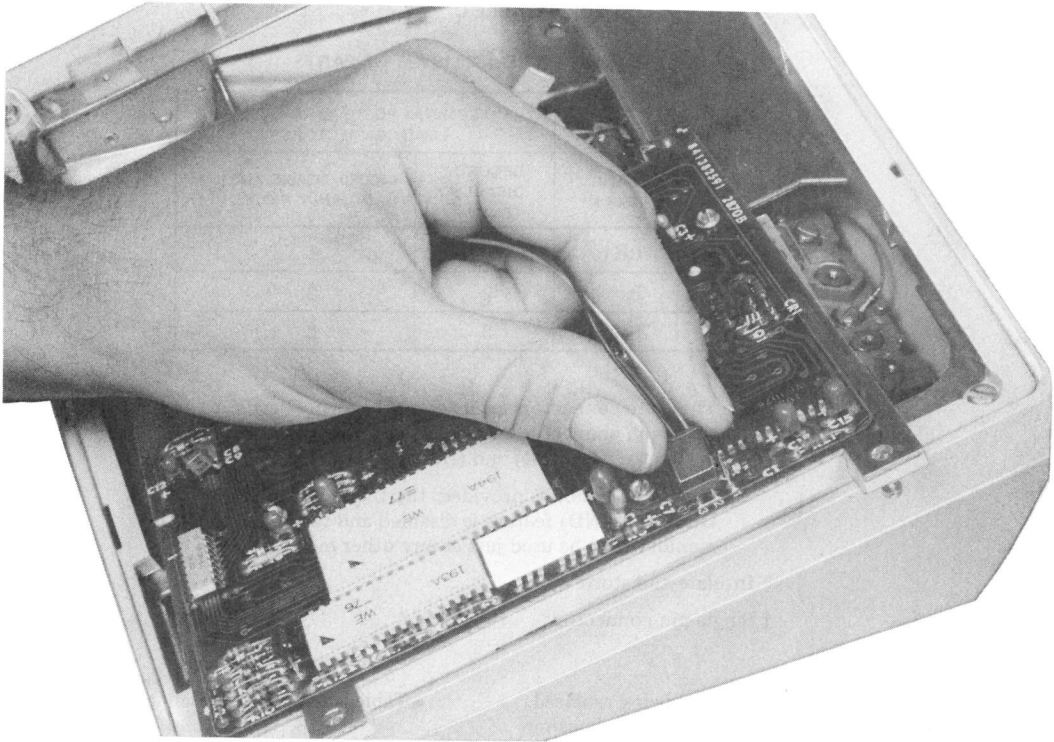


Fig. 5—2870A1 Dial, Connection of D-180818 Kit of Parts, Record Disable Feature Only

since an 870A1U upper housing is also required (paragraph 6.08).

C. Housing Removal

3.11 To remove, proceed as follows.

(a) *Lower housing.*

- (1) Remove the faceplate (paragraph 3.10).
- (2) Disengage the captive housing screws (Fig. 2). One is located in each of the four corners of the chassis.
- (3) Separate the housing from the adjunct dial base while feeding the two cords through hole in bottom of housing.

- (4) Before replacing the housing, lift the adjunct to check that the shoulders of the battery jack are against the two chassis tabs. Misalignment may cause the bottom of the housing to bow.

(b) *Upper housing.*

- (1) Remove the faceplate (paragraph 3.10).
- (2) Disengage the captive housing screws. One is located in each of the four corners of the upper housing (Fig. 2).
- (3) Pull the upper housing away from the chassis as each housing screw is backed out. This will separate the upper housing from the chassis.

TABLE C

CONNECTIONS FOR D-180818 KIT OF PARTS

| D-KIT SWITCH LEADS | | TERMINAL POSTS FOR SWITCH LEAD CONNECTORS | |
|--------------------|----------------|-------------------------------------------|-------------------------------------------|
| DESIG | COLOR (Note 1) | RECORD DISABLE ONLY | RECORD DISABLE AND DIAL INTERMIX (NOTE 2) |
| WDC | BK† | * | 1 |
| VDD | R | 2 | 2 |
| RCD | BK | 3 | 3 |

Notes:

1. There are connectors attached to the switch leads, a single pin connector with a (BK) lead and a double pin connector with a (R) and (BK) lead.
2. When this option is provided, the LAST NUMBER DIALED (LND) feature is disabled and the 32nd memory may be used just as any other memory.

* Insulate and store.

† Single pin connector.

Note: If the upper housing is being replaced, it will be necessary to remove the housing screws.

(4) To reassemble, reverse procedure.

4. CONNECTIONS

4.01 Typical interface connections for the basic 870A1 and 2870A1 dials are shown in Fig. 6.

4.02 Typical interface connections for the 870A1 and 2870A1 dials to provide the one-touch calling feature are shown in Fig. 7.

4.03 Connections for the adjunct dial to a selected variety of telephone sets and consoles may be found in the following tables:

- Table F—870A1 Dial Connections to Telephones
- Table G—2870A1 Dial Connections to Telephones
- Table H—870A1 Dial Connections to Consoles

- Table I—2870A1 Dial Connections to Consoles.

4.04 Refer to Table A for connection reference for all options.

4.05 Adjunct dial connections are shown in Fig. 9 for the 870A1 dial and in Fig. 11 for the 2870A1 dial.

4.06 Partial functional schematics are shown in Fig. 10 for the 870A1 dial and in Fig. 12 for the 2870A1 dial.

4.07 Connections for D-180837 Kit of Parts (installed at the service center) are shown in Tables D and E.

5. OPERATION

A. Record A Number Into Memory

Note: If equipped with the D-180818 or D-180837 Kit of Parts, switch must be in the OFF position.

5.01 To record, only the dial of the adjunct may be used. Digits manually dialed on the

- (2) Write or type the desired name and telephone number for a selected memory button on the associated position of the directory sheet.
- (3) Replace the directory sheet and faceplate.
- (4) Depress the RECORD button. The RECORD lamp will light. (A number can be called and recorded simultaneously by lifting handset before depressing the RECORD button.)
- (5) Depress the specific memory button adjacent to the desired telephone number listed on the directory sheet.
- (6) Using the adjunct dial, manually dial the desired telephone number.

Note: If an access code and pause for second dial tone is required.

- (a) Dial the access digit(s).
- (b) After the RECORD lamp lights, push the WAIT button. (The WAIT entry counts as one digit.)
- (c) Using the adjunct dial, manually dial the telephone number.

Note: A number up to 15 digits in length may be recorded. The RECORD lamp will go out momentarily as each digit is dialed. If exactly 15 digits are recorded, the RECORD lamp will go out and stay out, indicating that the dialer has been reset. If a memory button has not been depressed, the RECORD lamp will go out when the first digit is dialed and recording operation will be voided.

- (7) Depress the RECORD OFF button if less than 15 digits are recorded. The RECORD lamp will go out. The dialer will be reset. The number is now stored in the selected memory. The dialer will also be reset by a switchhook or speakerphone operation.

B. Change A Number In Memory

Note: If equipped with the D-180818 or D-180837 Kit of Parts, switch must be in the OFF position.

5.02 Whenever a new number is recorded in a previously used memory position, it will automatically replace the previously stored number.

C. Delete A Number From Memory

Note: If equipped with the D-180818 or D-180837 Kit of Parts, switch must be in the OFF position.

5.03 To delete a number.

- (1) Depress the RECORD button.
- (2) Depress the memory button corresponding to the name and number to be deleted.
- (3) Depress the RECORD OFF button.

D. Automatically Dial A Number From Memory

5.04 To automatically dial a number.

- (1) Go off-hook on the telephone set, listen for dial tone, and depress the desired memory button. If WAIT input has been recorded, automatic dialing will stop. When second dial tone is heard, depress memory button again to complete automatic dialing.
- (2) If the adjunct dial is equipped with the dial tone detector only, go off-hook, listen for dial tone, and depress the memory button.
- (3) If the adjunct dial is wired to provide the one-touch calling feature (telephone set is equipped with speakerphone, and adjunct dial equipped with dial tone detector), simply depress the memory button.

E. LAST NUMBER DIALED Feature

Note: If equipped with the D-180818 or D-180837 Kit of Parts, and dial intermix feature is provided, switch must be in the OFF position.

5.05 The adjunct dial automatically records into the LAST NUMBER DIALED position (Fig. 1) any number called using the dial of the adjunct. Each number in the LAST NUMBER DIALED position is automatically replaced by the next number manually dialed. Although the unit is recording, the RECORD lamp does not light at any time during this operation.

1) any number called using the dial of the adjunct. Each number in the LAST NUMBER DIALED position is automatically replaced by the next number manually dialed. Although the unit is recording, the RECORD lamp does not light at any time during this operation.

5.06 Operation of LAST NUMBER DIALED feature.

(a) *If no access digit(s) required.*

- (1) Go off-hook on the telephone set.
- (2) Listen for dial tone.
- (3) Manually dial telephone number using the adjunct dial.
- (4) To redial same number automatically, go off-hook on telephone set, listen for dial tone, and depress LAST NUMBER DIALED button.

(b) *If an access code and pause for second dial tone is required.*

- (1) Go off-hook on the telephone set.
- (2) Listen for dial tone.
- (3) Dial access digit(s) using adjunct dial.
- (4) After second dial tone is heard depress WAIT button.
- (5) Manually dial telephone number using adjunct dial.
- (6) To redial same number automatically, go off-hook, listen for dial tone, and depress LAST NUMBER DIALED button. When second dial tone is heard, depress LAST NUMBER DIALED button again to complete automatic dialing.

F. End-to-End Signaling (2870A1 Only)

5.07 For end-to-end signaling (such as data transmission), the 2870A1 dial has the capability to intermix manual and automatic dialing.

5.08 If the one-touch calling option is provided, the initial number must be dialed automatically

(even if the one-touch calling switch is in the OFF position). This allows the dial tone detector to complete its function. Additional numbers may then be dialed automatically or manually if desired.

(1) *Standard Operation.*

(a) If at any time, digit(s) are keyed manually using the 2870A1 dial, the RECORD OFF button must be depressed before additional digits can be dialed automatically from memory. (The RECORD lamp will not light at any time but depressing the RECORD OFF button will remove the dial from the LAST NUMBER DIALED mode to allow additional automatic dialing.)

(2) *Dial Intermix Mode (with D-180818 or D-180837 Kit of Parts).*

(a) Manually and automatically dialed digits may be intermixed as desired when the feature switch is in the ON position.

Note: In this mode, the RECORD button and the LAST NUMBER DIALED feature are inoperative.

6. MAINTENANCE

6.01 In case of power failure, the adjunct dial is inoperative. The battery retains the number associated with each of the memory buttons for at least 24 hours. If power loss exceeds 24 hours, the numbers may have to be rerecorded.

A. Trouble Analysis

6.02 When trouble is encountered, the subsequent procedure should be followed.

- (1) Confirm improper operation either as a basic dial or as an automatic dialer (Part 5).
- (2) Check connections.
- (3) Refer to Trouble Analysis Table J (870A1) or Table K (2870A1).
- (4) If removal of adjunct dial is required, proceed as follows.
 - (a) Disconnect power unit from ac outlet and unplug battery.

- (b) Disconnect adjunct dial.
- (c) Place battery plug sideways into housing slot below battery pack and tape into place.

Caution: Failure to restrain plug can result in plug damage requiring battery replacement.

B. Battery

6.03 The battery has an expected life of about 4 years. It can be replaced without loss of stored numbers provided that commercial ac power to the dial is continuously maintained. To replace the battery, proceed as follows.

- (1) Tilt the front of the dial adjunct up.
- (2) Unplug the battery.
- (3) Loosen captive screw on the battery support.
- (4) Remove battery support.
- (5) Remove battery.
- (6) Install and check new battery (paragraph 3.05 or 3.06).

C. Memory

6.04 The memory may be replaced in the following manner.

- (1) Disconnect power unit from ac outlet and unplug battery.

Note: Removal of the memory or ac and battery power results in loss of stored numbers.

- (2) Remove the faceplate (paragraph 3.10).
- (3) Loosen the four captive memory mounting screws (Fig. 3).
- (4) Rotate the left edge of the memory upward as shown in Fig. 4.
- (5) Disengage the connector(s) by pulling them perpendicular to the printed wiring board.

(6) Replace the memory by engaging the dial connector (2870A1 only) first. The connector(s) are keyed, one position is filled and should fit over the vacant position in the row of pins. The flat power supply cable should not be twisted.

- (7) Reassemble dial.
- (8) Reconnect battery and power unit.
- (9) Test per paragraph 3.05 or 3.06 as required.
- (10) Reprogram memory, see Part 5.

D. Dial

6.05 To replace rotary dial.

- (1) Disconnect power unit from ac outlet and unplug battery.

Note: Removal of ac and battery power results in loss of stored numbers.

- (2) Remove faceplate (paragraph 3.10).
- (3) Loosen the captive screw at bottom of the cover around the dial and remove the cover.
- (4) Remove the two dial mounting screws and set dial aside.
- (5) Remove dial leads from terminals on PSB.
- (6) Remove dial.
- (7) Reverse procedure to replace dial.
- (8) Reconnect battery and power unit.
- (9) Reprogram memory, see Part 5.

6.06 To replace TOUCH-TONE dial.

- (1) Disconnect power unit from ac outlet and unplug battery.

Note: Removal of ac and battery power results in loss of stored numbers.

- (2) Remove faceplate (paragraph 3.10).

- (3) Loosen the captive screw at bottom of the cover around the dial and remove the cover.
- (4) Disengage the two dial mounting screws.

Note: On early units with metal dial brackets, the screws will have to be removed.

- (5) Disengage the four captive memory mounting screws (Fig. 3).
- (6) Gently raise the memory to a position that permits access to the dial connector.
- (7) Disengage the dial connector by carefully pulling on it perpendicular to the printed wiring board.
- (8) Disengage the second dial connector from the power supply printed wiring board.
- (9) Lift the dial out.
- (10) To replace with a new dial, reverse the previous steps. The connectors are keyed to orient them relative to the pins. Observe the correct orientation and do not force the connection.
- (11) Reconnect battery and power unit.
- (12) Reprogram memory, see Part 5.

E. Line Sensing Relay Printed Wiring Board Assembly

6.07 To replace:

- (1) Disconnect power unit from ac outlet and unplug battery.

Note: Removal of ac and battery power results in the loss of stored numbers.

- (2) Remove faceplate (paragraph 3.10).
- (3) Loosen the captive screw at the bottom of the cover around the dial and remove the cover.
- (4) Remove the two dial mounting screws (870A1) or disengage (2870A1).
- (5) Place the dial aside to gain access to the PSB terminals.

- (6) Remove the two mounting screws for the Line Sensing Relay Board and move the board assembly to one side.

- (7) Disconnect the leads of the Line Sensing Relay Board from associated terminals on the PSB, and remove the board assembly.

- (8) Connect the leads of the replacement Line Sensing Relay Board to the appropriate terminals on the PSB (Fig. 9B and 9C for the 870A1 dial or Fig. 11B and 11C for the 2870A1 dial).

- (9) Reassemble adjunct dial.

- (10) Reconnect battery and power unit.

- (11) Reprogram memory, see Part 5.

F. Faceplate (conversion from 870A2 or 2870A2 to 870B1 or 2870B1)

6.08 To replace an 870A2-87 or 2870A2-87 faceplate with an 870B1-87 or 2870B1-87 faceplate.

- (1) Remove the A2 faceplate by lifting up on any of its edges.

- (2) Remove the four captive housing screws (Fig. 2) from the chassis.

- (3) Use the four housing screws to mount the 870A1U upper housing to the chassis and 870ADJ1 housing. The three parts should be held tightly together as the screws are driven.

- (4) Place the two tabs located along the lower edge of the B1 faceplate in the notches in the lower side of the 870A1U upper housing.

- (5) Lower the faceplate to rest on the memory. The spring clip located in the center of the upper side of the upper housing should retain the faceplate.

G. Defective Dial Adjunct Which Has A D-180837 Kit of Parts Installed

6.09 To replace a defective dial adjunct which has a D-180837 Kit of Parts installed, it is necessary to move the lower housing of the defective dial to the new dial as follows.

- (1) Disconnect power unit from ac outlet and unplug battery.

Note: Removal of ac and battery power results in lose of stored numbers.

- (2) Remove faceplate (paragraph 3.10).
 (3) Remove the upper housing [see paragraph 3.11(b)].



Before doing Steps (4), (5), (6), and (7) note switch wire color and designation (see Tables D and E).

- (4) Remove memory [paragraph 6.04 (3), (4), and (5)] and disconnect switch leads from memory.
 (5) Disconnect (Y) switch lead from chassis.

- (6) Rotary dial only—disconnect two (G) switch leads from terminals 4 and 5 on power supply board.

- (7) TOUCH-TONE dial only—disconnect (BR) switch lead from connector housing in D-kit.

- (8) TOUCH-TONE dial only—disconnect (BR) switch lead from position No. 2 of connector J1.

- (9) Remove lower housing and install on new dial adjunct (see Tables D and E).

- (10) Reconnect battery and power unit.

- (11) Test per paragraph 3.05 or 3.06 as required.

- (12) Reprogram memory, see Part 5.

♦TABLE D♦

CONNECTIONS FOR D-180837 KIT OF PARTS
(870A1 ADJUNCT DIAL)

| FEATURE | LEAD | | CONNECT TO | COMMENTS |
|-----------------------------------------|--------|-------|------------|----------------------------------|
| | DESIG. | COLOR | | |
| Record Disable Only | DP | G | * | Term. posts on 870B Memory board |
| | DP | G | * | |
| | VDD | R | TP-2 | |
| | RCD | BK† | TP-3 | |
| | WDC | BK† | * | |
| | GRD | Y | Chassis | |
| | Neg | BR | * | |
| | Neg | BR | * | |
| Record Disable and Dial Intermix | DP | G | * | Term. posts on 870B Memory board |
| | DP | G | * | |
| | VDD | R | TP-2 | |
| | RCD | BK† | TP-3 | |
| | WDC | BK† | TP-1 | |
| | GRD | Y | Chassis | |
| | Neg | BR | * | |
| | Neg | BR | * | |
| Record Disable and Manual Dial Lock-out | DP | G | PSB-4 | Term. posts on 870B Memory board |
| | DP | G | PSB-5 | |
| | VDD | R | TP-2 | |
| | RCD | BK† | TP-3 | |
| | WDC | BK† | TP-1 | |
| | GRD | Y | Chassis | |
| | Neg | BR | * | |
| | Neg | BR | * | |

* Insulated and stored.

† (BK) leads are interchangeable.

♦TABLE E♦

**CONNECTIONS FOR D-180837 KIT OF PARTS
(2870A1 ADJUNCT DIAL)**

| FEATURE | APPARATUS | LEAD | | REMOVE FROM | CONNECT TO | COMMENTS |
|-----------------------------------------|-----------------------|--------|-------------|--------------------------------|--------------------------------|-----------------------------|
| | | DESIG. | COLOR | | | |
| Record Disable Only | D-180837 Kit of Parts | Neg. | BR (Male) | | * | Term. posts on 2870B Memory |
| | | Neg. | BR (Female) | | * | |
| | | GRD | Y | | Chassis | |
| | | VDD | R | | TP-2 | |
| | | RCD | BK† | | TP-3 | |
| | | WDC | BK† | | * | |
| | | DP | G | | * | |
| Record Disable and Dial Intermix | D-180837 Kit of Parts | Neg. | BR (Male) | | * | Term. posts on 2870B Memory |
| | | Neg. | BR (Female) | | * | |
| | | GRD | Y | | Chassis | |
| | | VDD | R | | TP-2 | |
| | | RCD | BK† | | TP-3 | |
| | | WDC | BK† | | TP-1 | |
| | | DP | G | | * | |
| Record Disable and Manual Dial Lock-out | Adjunct Dial | Neg. | BR | Position No. 2 on connector J1 | Connector housing in D-Kit | See Note |
| | D-180837 Kit of Parts | Neg. | BR (Male) | | Connector housing in D-Kit | Term. posts on 2870B Memory |
| | | Neg. | BR (Female) | | Position No. 2 in connector J1 | |
| | | GRD | Y | | Chassis | |
| | | VDD | R | | TP-2 | |
| | | RCD | BK† | | TP-3 | |
| | | WDC | BK† | | TP-1 | |
| | | DP | G | | * | |
| | DP | G | | * | | |

* Insulated and stored.

† (BK) leads are interchangeable.

Note: Connector J1 is the 12-position dial connector. Place pointed object or paper clip in slot No. 2 in the side of the connector housing and push gently to release spring latch while pulling on the (BR) lead.

TABLE F

CONNECTIONS FOR 870A1 DIAL TO TELEPHONE SET

| TEL SET | COMMON TIP PATH | | | COMMON RING PATH | | |
|------------------------|-----------------|-------------|---------------|------------------|-------------|---------------|
| | LEAD COLOR | REMOVE FROM | CONNECT TO §§ | LEAD COLOR | REMOVE FROM | CONNECT TO ¶¶ |
| 565HK, HKM | G | Net. F | Spare 1 | G, G-V | 9 | Spare 2 |
| 564HL, HLM | G | Net. F | Spare 1 | G | 9 | Spare 2 |
| 630DA, DAM | (2) G | Net. F | Spare 1 | G§§§ | 13 | Spare 2 |
| 681DA, 681DAM | (2) G | Net. F | Spare 1 | G§§§ | 13 | Spare 2 |
| 634DA, DAM | W-BL | Net. F | Spare 1 | BL-W§§§ | 13 | Spare 2 |
| 635DA, DAM | W-BL | Net. F | Spare 1 | BL-W§§§ | 13 | Spare 2 |
| 636CA, CAM | (2) G | Net. F | Spare 1 | W-BL | 13 | Spare 2 |
| 637DA, DAM | (2) G | Net. F | Spare 1 | W-BL | 13 | Spare 2 |
| 830CM† | G†† | 8 | Spare 1 | R | 6 | Spare 2 |
| 830CM‡ | G | 16 | Spare 1 | R | 6 | Spare 2 |
| 830CM§ | G | Net. F | Spare 1 | R | 6 | Spare 2 |
| 830DM†,‡ | G†† | 8 | Spare 1 | R | 3 | Spare 2 |
| 830DM§ | G | Net. F | Spare 1 | R | 3 | Spare 2 |
| 831CM† | (2) G†† | 8 | Spare 1 | (2) R | 6 | Spare 2 |
| 831CM‡ | (2) G | 16 | Spare 1 | (2) R | 6 | Spare 2 |
| 831CM§ | (2) G | Net. F | Spare 1 | (2) R | 6 | Spare 2 |
| 831DM†,‡,¶ | (2) G†† | 8 | Spare 1 | G | 6 | Spare 2 |
| 831DM§,¶ | (2) G | Net. F | Spare 1 | G | 6 | Spare 2 |
| 832-Type¶ | G | 22 | Spare 1 | R | 4 | Spare 2 |
| 833-Type¶ | (2) G | 22 | Spare 1 | (2) R | 4 | Spare 2 |
| 851B 851BT 851BM | G | Net. F | Spare 1 | R | 13 | Spare 2 |
| 851CM | G | 2*** | Spare 1 | R | 13 | Spare 2 |
| 852A 852AM | G | 4††† | Spare 1 | R | 1 | Spare 2 |
| 870A1M | W-BL | TB1 8 | TB1 15 | BL-W | TB1 4 | TB1 16 |
| 870A2M | G | TB1 8 | TB1 15 | R | TB1 4 | TB1 16 |
| 870A1 Dial‡‡ | W-O | 26 | 27 | O-W | 9 | Spare 1 |
| 872A1M | G | TB1 8 | TB1 15 | R | PSB 9 | Net. G |

TABLE F (Contd)

CONNECTIONS FOR 870A1 DIAL TO TELEPHONE SET

| D10U-87 CORD (FROM ADJUNCT DIAL) | | | | | | | | | |
|----------------------------------|--------|---------|---------|--------|---------|------------------------|---------------|-------|-------|
| STANDARD FUNCTIONS | | | | | | SPEAKERPHONE/ONE-TOUCH | | | |
| LT | T1 | LR | R1 | M1 | M2 | LK | SPO | P3 | P4 |
| W-BL | W-O | BL-W | O-W | BR-W | W-BR | G-W | W-G | S-W | W-S |
| Spare 1 | Net. F | 9 | Spare 2 | Net. R | Net. GN | Net. L1 | See Fig. 8 | 8 | 7 |
| Spare 1 | Net. F | 9 | Spare 2 | Net. R | Net. GN | * | | * | * |
| Spare 1 | Net. F | 13 | Spare 2 | Net. R | Net. GN | 4 | | 9 | 14 |
| Spare 1 | Net. F | 13 | Spare 2 | Net. R | Net. GN | 4 | | 9 | 14 |
| Spare 1 | Net. F | Spare 2 | 13 | Net. R | Net. GN | 4 | | 14 | 9 |
| Spare 1 | Net. F | Spare 2 | 13 | Net. R | Net. GN | 4 | | 14 | 9 |
| Spare 1 | Net. F | Spare 2 | 13 | Net. R | Net. GN | * | | * | * |
| Spare 1 | Net. F | Spare 2 | 13 | Net. R | Net. GN | * | | * | * |
| Spare 1 | 8 | Spare 2 | 6 | Net. R | Net. GN | 29 | | 30 | 24 |
| Spare 1 | 16 | Spare 2 | 6 | Net. R | Net. GN | 29 | | 30 | 24 |
| Spare 1 | Net. F | Spare 2 | 6 | Net. R | Net. GN | 29 | | 30 | 24 |
| Spare 1 | 8 | Spare 2 | 3 | Net. R | Net. GN | 29 | | 30 | 24 |
| Spare 1 | Net. F | Spare 2 | 3 | Net. R | Net. GN | 29 | | 30 | 24 |
| Spare 1 | 8 | Spare 2 | 6 | Net. R | Net. GN | 29 | | 30 | 24 |
| Spare 1 | 16 | Spare 2 | 6 | Net. R | Net. GN | 29 | | 30 | 24 |
| Spare 1 | Net. F | Spare 2 | 6 | Net. R | Net. GN | 29 | | 30 | 24 |
| Spare 1 | 8 | 6 | Spare 2 | Net. R | Net. GN | 29 | | 30 | 24 |
| Spare 1 | Net. F | 6 | Spare 2 | Net. R | Net. GN | 29 | | 30 | 24 |
| Spare 1 | 22 | Spare 2 | 4 | Net. R | Net. GN | 29 | | 30 | 24 |
| Spare 1 | 22 | Spare 2 | 4 | Net. R | Net. GN | 29 | | 30 | 24 |
| Spare 1 | Net. F | Spare 2 | 13 | Net. R | Net. GN | Net. L1 | | 15 | 17 |
| Spare 1 | 2*** | Spare 2 | 13 | Net. R | Net. GN | 20 | | 15 | 17 |
| Spare 1 | 4††† | Spare 2 | 1 | Net. R | Net. GN | 10 | | ††† | ††† |
| TB1 15 | TB1 8 | TB1 16 | TB1 4 | Net. R | Net. GN | PSB 27 | PSB 21 | PSB 3 | PSB 6 |
| TB1 15 | TB1 8 | TB1 16 | TB1 4 | Net. R | Net. GN | PSB 27 | PSB 21 | PSB 3 | PSB 6 |
| PSB 26 | PSB 27 | PSB 9 | Spare 1 | PSB 1 | PSB 8 | PSB 13 | PSB 21 | PSB 3 | PSB 6 |
| TB1 15 | TB1 8 | Net. G | PSB 9 | Net. R | Net. GN | PSB 13 | PSB 21 | PSB 3 | PSB 6 |

◆ TABLE F (Contd)◆

CONNECTIONS FOR 870A1 DIAL TO TELEPHONE SET

| TEL SET | COMMON TIP PATH | | | COMMON RING PATH | | |
|------------|----------------------|-------------|--------------|------------------|-------------|--------------|
| | LEAD COLOR | REMOVE FROM | CONNECT TO§§ | LEAD COLOR | REMOVE FROM | CONNECT TO¶¶ |
| 960A01M | G | PSB-7 | PSB-14 | R | PSB-6 | PSB-19 |
| 981-Type** | Remove Shorting Bars | | | | | |
| 983-Type** | | | | | | |

♦TABLE F (Contd)♦

CONNECTIONS FOR 870A1 DIAL TO TELEPHONE SET

| D10U-87 CORD (FROM ADJUNCT DIAL) | | | | | | | | | |
|----------------------------------|-------|--------|-------|-------|--------|------------------------|-----|-----|-----|
| STANDARD FUNCTIONS | | | | | | SPEAKERPHONE/ONE-TOUCH | | | |
| LT | T1 | LR | R1 | M1 | M2 | LK | SPO | P3 | P4 |
| W-BL | W-O | BL-W | O-W | BR-W | W-BR | G-W | W-G | S-W | W-S |
| PSB-14 | PSB-7 | PSB-19 | PSB-6 | PSB-8 | PSB-20 | * | * | * | * |
| Plug D10Y cord into set | | | | | | | | | |

* Insulate and store.

† Manufactured after 2-77 with new line switch (new line switch is identified by two additional blue leads).

‡ Manufactured prior to 2-77 with new line switch.

§ Manufactured prior to 2-77 with old line switch (old line switch has no blue leads).

¶ Only CO lines can be dialed from adjunct dial (no intercom lines).

** Replace the D10U-87 cord in the 870A1 dial with a D10Y-50 cord, observing same color code.

†† From line key.

‡‡ Each adjunct dial adds 1 db loss to the loop. 20 ma loop current is required for proper operation of unit.

§§ Spare "1s" use same spare terminal or D-161488 connector in telephone set.

¶¶ Spare "2s" use same spare terminal or D-161488 connector in telephone set.

*** Network F when using 4A speakerphone.

††† Common tip lead from line key. Located on terminal 2 in 852AM sets manufactured before 3-4-77

‡‡‡ Connect to same terminals as P3 and P4 leads from 4A speakerphone.

§§§ If speakerphone is provided, speakerphone lead designated R1 must also be moved from 13 to spare 2.

TABLE G4

CONNECTIONS FOR 2870A1 DIAL TO TELEPHONE SET

| TEL SET | COMMON TIP PATH | | | COMMON RING PATH | | |
|-----------------------------|----------------------|-------------|--------------|------------------|-------------|---------------|
| | LEAD COLOR | REMOVE FROM | CONNECT TO** | LEAD COLOR | REMOVE FROM | CONNECT TO*** |
| 2565HK, 2565HKM | G†† | Net. L2 | Spare 1 | G, G-V | 9 | Spare 2 |
| 2630DA 2630DAM | G‡‡ | 12 | Spare 1 | G§§§ | 13 | Spare 2 |
| 2631DA, 2631DAM | G‡‡ | 12 | Spare 1 | G§§§ | 13 | Spare 2 |
| 2634DA 2634DAM | W-BL | Net. L2 | Spare 1 | BL-W§§§ | 13 | Spare 2 |
| 2635DA 2635DAM | W-BL | Net. L2 | Spare 1 | BL-W§§§ | 13 | Spare 2 |
| 2636CA, CAM | G‡‡ | 12 | Spare 1 | BL-W | 9 | Spare 2 |
| 2637DA, DAM | G‡‡ | 12 | Spare 1 | BL-W | 9 | Spare 2 |
| 2830CM† | G†† | 8 | Spare 1 | R | 6 | Spare 2 |
| 2830CM‡ | G†† | 16 | Spare 1 | R | 6 | Spare 2 |
| 2830CM§ | G†† | 8 | Spare 1 | R | 6 | Spare 2 |
| 2830DM†,‡ | G†† | 8 | Spare 1 | R | 3 | Spare 2 |
| 2830DM§ | G†† | 8 | Spare 1 | R | 3 | Spare 2 |
| 2831CM† | (2) G†† | 8 | Spare 1 | (2) R | 6 | Spare 2 |
| 2831CM‡ | (2) G†† | 16 | Spare 1 | (2) R | 6 | Spare 2 |
| 2831CM§ | (2) G†† | 8 | Spare 1 | (2) R | 6 | Spare 2 |
| 2831DM†,‡,§ | (2) G†† | 8 | Spare 1 | (2) R | 3 | Spare 2 |
| 2831DM§,¶ | (2) G†† | 8 | Spare 1 | (2) R | 3 | Spare 2 |
| 2832-Type¶ | G | 22 | Spare 1 | R | 4 | Spare 2 |
| 2833-Type¶ | (2) G | 22 | Spare 1 | (2) R | 4 | Spare 2 |
| 2851B, 2851BT, 2851BM | G | 20††† | Spare 1 | R | 13 | Spare 2 |
| 2851CM | G | 2††† | Spare 1 | R | 13 | Spare 2 |
| 2852A, 2852AM | G | 4§§§ | Spare 1 | R | 1 | Spare 2 |
| 2870A1M | W-BL | TB1 8 | TB1 11 | BL-W | TB1 4 | TB1 12 |
| 2870A2M | G | TB1 8 | TB1 11 | R | TB1 4 | TB1 12 |
| 2870A1 Dial§§ | W-O | PSB-2 | Net. G | O-W | PSB-11 | Net. L1 |
| 2872A1M, 2872A2M | G | TB1 8 | TB1-15 | R | PSB-12 | Net. G |
| 2960A01M | G | PSB-7 | PSB-14 | R | PSB-6 | PSB-19 |
| 2981-Type** | Remove Shorting Bars | | | | | |
| 2983-Type** | | | | | | |

♦TABLE G (Contd)♦

CONNECTIONS FOR 2870A1 DIAL TO TELEPHONE SET

| D10U-87 CORD (FROM ADJUNCT DIAL) | | | | | | | | | |
|----------------------------------|---------|---------|---------|--------|-------------|------------------------|---------------|-------|-----|
| STANDARD FUNCTIONS | | | | | | SPEAKERPHONE/ONE-TOUCH | | | |
| LT | T1 | LR | R1 | A1 | AG | LK | SPO | SPARE | |
| W-BL | W-O | BL-W | O-W | BR-W | W-BR | G-W | W-G | S-W | W-S |
| Spare 1 | Net. L2 | 9 | Spare 2 | 1B | N | Net. L1 | See Fig. 8 | | |
| 12 | Spare 1 | 13 | Spare 2 | 8 | 7 | 4 | | | |
| 12 | Spare 1 | 13 | Spare 2 | 8 | 7 | 4 | | | |
| Spare 1 | Net. L2 | Spare 2 | 13 | 10 | 56 | 4 | | | |
| Spare 1 | Net. L2 | Spare 2 | 13 | 10 | 56 | 4 | | | |
| 12 | Spare 1 | 9 | Spare 2 | 8 | 7 | * | | | |
| 12 | Spare 1 | 9 | Spare 2 | 8 | 7 | * | | | |
| Spare 1 | 8 | Spare 2 | 6 | 10 | 22 | 29 | | | |
| Spare 1 | 16 | Spare 2 | 6 | 10 | 22 | * | | | |
| Spare 1 | 8 | Spare 2 | 6 | 10 | 22 | 29 | | | |
| Spare 1 | 8 | Spare 2 | 3 | 10 | 22 | 29 | | | |
| Spare 1 | 8 | Spare 2 | 3 | 10 | 22 | 29 | | | |
| Spare 1 | 8 | Spare 2 | 6 | 10 | 22 | 29 | | | |
| Spare 1 | 16 | Spare 2 | 6 | 10 | 22 | 29 | | | |
| Spare 1 | 8 | Spare 2 | 6 | 10 | 22 | 29 | | | |
| Spare 1 | 8 | Spare 2 | 3 | 10 | 22 | 29 | | | |
| Spare 1 | 8 | Spare 2 | 3 | 10 | 22 | 29 | | | |
| Spare 1 | 22 | Spare 2 | 4 | 10 | 8 | 29 | | | |
| Spare 1 | 22 | Spare 2 | 4 | 10 | 8 | 29 | | | |
| Spare 1 | 20 | Spare 2 | 13 | 4 | 3 | Net. L1 | | | |
| Spare 1 | 2### | Spare 2 | 13 | 4 | 3 | 20 | | | |
| Spare 1 | 4\$\$\$ | Spare 2 | 1 | 3 | 11 | 10 | | | |
| TB1 11 | TB1 8 | TB1 12 | TB1 4 | TB1 2 | TB1 1 | PSB-17 | PSB-34 | | |
| TB1 11 | TB1 8 | TB1 12 | TB1 4 | TB1 2 | TB1 1 | PSB-17 | PSB-34 | | |
| PSB-2 | Net. G | PSB-11 | Net. L1 | PSB-1 | PSB-32 | PSB-33 | PSB-34 | | |
| TB1 15 | TB1 8 | Net. G | PSB-12 | TB1 12 | Net. L2**** | PSB-17 | PSB-34 | | |
| PSB-14 | PSB-7 | PSB-19 | PSB-6 | PSB-5 | PSB-9 | * | * | | |

Plug D10Y cord into set

TABLE G (Contd)

CONNECTIONS FOR 2870A1 DIAL TO TELEPHONE SET

| TEL SET | COMMON TIP PATH | | | COMMON RING PATH | | |
|---------|----------------------|-------------|------------|------------------|-------------|---------------|
| | LEAD COLOR | REMOVE FROM | CONNECT TO | LEAD COLOR | REMOVE FROM | CONNECT TO*** |
| 2991A** | 0 | 54 | * | G-Y | 7 | 6 |
| 2991C** | Remove Shorting Bars | | | | | |
| 2992A | 0 | 54 | * | G-Y | 7 | 6 |
| 2992C** | Remove Shorting Bars | | | | | |
| 2993A | 0 | 54 | * | G-Y | 7 | 6 |
| 2993C** | Remove Shorting Bars | | | | | |
| 2994C** | | | | | | |

†TABLE G (Contd)†

CONNECTIONS FOR 2870A1 DIAL TO TELEPHONE SET

| D10U-87 CORD (FROM ADJUNCT DIAL) | | | | | | | | | |
|----------------------------------|-----|------|-----|------|------|------------------------|--------|-------|-----|
| STANDARD FUNCTIONS | | | | | | SPEAKERPHONE/ONE-TOUCH | | | |
| LT | T1 | LR | R1 | A1 | AG | LK | SPO | SPARE | |
| W-BL | W-O | BL-W | O-W | BR-W | W-BR | G-W | W-G | S-W | W-S |
| 54 | 38 | 7 | 6 | * | * | 27 | Fig. 8 | * | * |
| Plug D10Y cord into set | | | | | | | | | |
| 54 | 38 | 7 | 6 | * | * | 27 | Fig. 8 | * | * |
| Plug D10Y cord into set | | | | | | | | | |
| 54 | 38 | 7 | 6 | * | * | 27 | Fig. 8 | * | * |
| Plug D10Y cord into set | | | | | | | | | |

* Insulate and store.

† Manufactured after 2-77 with new line switch (new line switch is identified by two additional blue leads).

‡ Manufactured prior to 2-77 with new line switch.

§ Manufactured prior to 2-77 with old line switch (old line switch has no blue leads).

¶ Only CO lines can be dialed from adjunct dial (no intercom lines).

** Replace the D10U-87 cord in the 2870A1 dial with a D10Y-50 cord, observing same color code.

†† From line key.

‡‡ From dial.

§§ Each adjunct dial adds 1 db loss to the loop. 20 ma loop current is required for proper operation of unit.

¶¶ Spare "1s" use same spare terminal or D-161488 connector in telephone set.

*** Spare "2s" use same spare terminal or D-161488 connector in telephone set.

††† Common tip lead from line key.

‡‡‡ Common tip lead from line key. Terminal 1 when using 4A speakerphone.

§§§ Common tip lead from line key. On terminal 2 in 2852AM sets manufactured before 3-4-77.

¶¶¶ If speakerphone is provided, speakerphone lead designated R1 must also be moved from 13 to spare 2.

**** Network terminal F in early telephone sets.

TABLE H
CONNECTIONS FOR 870A1 DIAL TO TELEPHONE CONSOLE (NOTE 1)

| TEL CONSOLE (NOTE 7) | COMMON TIP PATH | | | COMMON RING PATH | | |
|-------------------------|-----------------|-------------|--------------|------------------|-------------|--------------|
| | LEAD COLOR | REMOVE FROM | CONNECT TO † | LEAD COLOR | REMOVE FROM | CONNECT TO ‡ |
| 3, 4-Type | O-BK | Net. F | Spare 1 | G-R | Net. C | Spare 2 |
| 10, 11-Type | BL | 2 | Spare 1 | BK-BL | 4 | Spare 2 |
| 14A1, 14A3 | BK | Net. RR | Spare 1 | W | Net. C | Spare 2 |
| 15A1, 15A3 | BK | Net. RR | Spare 1 | W | Net. C | Spare 2 |
| 22A3R | BK | Net. RR | Spare 1 | S | Net. C | Spare 2 |
| 23A2R,23A9R | BK | Net. RR | Spare 1 | S | Net. C | Spare 2 |
| 24A8R,24B8R | BK | Net. RR | Spare 1 | S | Net. C | Spare 2 |
| 29A2R,29B2R | BK | Net. RR | Spare 1 | S | Net. C | Spare 2 |
| 32A3R | BK | Net. RR | Spare 1 | S | Net. C | Spare 2 |
| 34A5R,34B5R | BK | Net. RR | Spare 1 | S | Net. C | Spare 2 |
| 43A5R | BK | Net. RR | Spare 1 | S | Net. C | Spare 2 |
| 53A5R,53A9R | BK | Net. RR | Spare 1 | S | Net. C | Spare 2 |
| 53B5R,53B9R | BK | Net. RR | Spare 1 | S | Net. C | Spare 2 |
| 53C5R | BK | Net. RR | Spare 1 | S | Net. C | Spare 2 |
| 54A8R,54B8R | BK | Net. RR | Spare 1 | S | Net. C | Spare 2 |
| 63B5R,63B9R | BK | Net. RR | Spare 1 | S | Net. C | Spare 2 |
| 83B5R,83B9R | BK | Net. RR | Spare 1 | S | Net. C | Spare 2 |
| 83C5R | BK | Net. RR | Spare 1 | S | Net. C | Spare 2 |
| 128A3R,128A4R | G | 42 § | Spare 1 | R | 4 | Spare 2 |
| 138A4R | G | 42 § | Spare 1 | R | 4 | Spare 2 |
| 21-Type | Not Compatible | | | | | |
| 41-Type | | | | | | |
| 45-Type | | | | | | |
| 51-Type | | | | | | |
| DIMENSION® PBX | | | | | | |

Notes:

1. The following changes shall be made in the 870A1 dial in addition to connections shown in table.
 - (a) Remove (BL-R) lead from PSB-28 and (BL-W) lead from PSB-2 and connect together using spare term. or D-161488 connector.
 - (b) Move the (G-W) lead from PSB-13 to PSB-2.
 - (c) Move the (W-G) lead from PSB-21 to PSB-28.
2. Remove (G) or (BL) dial lead from term. 19 in console and connect to (W-G) lead of D10U cord using spare term. or D-161488 connector.
3. Remove (G) or (BL) dial lead from term. 42 in console and connect to (W-G) lead of D10U cord using spare term. or D-161488 connector.
4. Remove (G) or (BL) dial lead from term. 11 in console and connect to (W-G) lead of D10U cord using spare term. or D-161488 connector.

TABLE H (Contd)
CONNECTIONS FOR 870A1 DIAL TO TELEPHONE CONSOLE (NOTE 1)

| D10U-87 CORD (FROM ADJUNCT DIAL) | | | | | | | | | |
|----------------------------------|---------|---------|---------|--------|---------|-----|--------|-----|-----|
| STANDARD FUNCTIONS | | | | | | | | | |
| LT | T1 | LR | R1 | M1 | M2 | G-W | W-G | S-W | W-S |
| W-BL | W-O | BL-W | O-W | BR-W | W-BR | | | | |
| Spare 1 | Net. F | Spare 2 | Net. C | TB2 3 | TB2 4 | * | * | * | * |
| 2 | Spare 1 | 4 | Spare 2 | Net. R | Net. GN | * | * | * | * |
| Spare 1 | Net. RR | Spare 2 | Net. C | * | * | 7 | Note 6 | 6 | 8 |
| Spare 1 | Net. RR | Spare 2 | Net. C | * | * | 7 | Note 6 | 6 | 8 |
| Spare 1 | Net. RR | Spare 2 | Net. C | * | * | 19 | Note 2 | 28 | 29 |
| Spare 1 | Net. RR | Spare 2 | Net. C | * | * | 42 | Note 3 | 39 | 38 |
| Spare 1 | Net. RR | Spare 2 | Net. C | * | * | 11 | Note 4 | 11 | 14 |
| Spare 1 | Net. RR | Spare 2 | Net. C | * | * | 28 | Note 5 | 33 | 34 |
| Spare 1 | Net. RR | Spare 2 | Net. C | * | * | 19 | Note 2 | 28 | 29 |
| Spare 1 | Net. RR | Spare 2 | Net. C | * | * | 11 | Note 4 | 11 | 14 |
| Spare 1 | Net. RR | Spare 2 | Net. C | * | * | 42 | Note 3 | 39 | 38 |
| Spare 1 | Net. RR | Spare 2 | Net. C | * | * | 42 | Note 3 | 39 | 38 |
| Spare 1 | Net. RR | Spare 2 | Net. C | * | * | 42 | Note 3 | 39 | 38 |
| Spare 1 | Net. RR | Spare 2 | Net. C | * | * | 42 | Note 3 | 39 | 38 |
| Spare 1 | Net. RR | Spare 2 | Net. C | * | * | 11 | Note 4 | 11 | 14 |
| Spare 1 | Net. RR | Spare 2 | Net. C | * | * | 42 | Note 3 | 39 | 38 |
| Spare 1 | Net. RR | Spare 2 | Net. C | * | * | 42 | Note 3 | 39 | 38 |
| Spare 1 | Net. RR | Spare 2 | Net. C | * | * | 42 | Note 3 | 39 | 38 |
| Spare 1 | 42 § | Spare 2 | 4 | Net. R | Net. GN | * | * | 37 | 38 |
| Spare 1 | 42 § | Spare 2 | 4 | * | * | * | * | * | * |
| Not Compatible | | | | | | | | | |

5. Remove (G) or (BL) dial lead from term. 28 in console and connect to (W-G) lead of D10U cord using spare term. or D-161488 connector.
6. Remove (G) dial lead from term. 7 in console and connect to (W-G) lead of D10U cord using spare term. or D-161488 connector.
7. To allow proper placement of adjunct the D10U-87 cord may have to be replaced by a D10R-87 cord, observing same color code.

* Insulate and store.
† Spare "1s" use same spare term. or D-161488 connector in console.
‡ Spare "2s" use same spare term. or D-161488 connector in console.
§ If neither Privacy nor DSS option is provided, this will be terminal 22.

TABLE I
CONNECTIONS FOR 2870A1 DIAL TO TELEPHONE CONSOLE

| TEL CONSOLE (NOTE 1 AND 2) | COMMON TIP PATH | | | COMMON RING PATH | | |
|-------------------------------|-----------------|-------------|--------------|------------------|-------------|--------------|
| | COLOR | REMOVE FROM | CONNECT TO † | LEAD COLOR | REMOVE FROM | CONNECT TO ¶ |
| 1, 2-Type ‡ | Strap | TB1 9-14 | | Strap | TB1 3-8 | |
| 10, 11-Type | R-S | 5 | Spare 1 | BK-O | 4 | Spare 2 |
| 14A2, 14A4 | BK | Net. RR | Spare 1 | W | Net. C | Spare 2 |
| 14A5, 14A6 | BK | Net. RR | Spare 1 | W | Net. C | Spare 2 |
| 15A2, 15A4 | BK | Net. RR | Spare 1 | W | Net. C | Spare 2 |
| 15A5, 15A6 | BK | Net. RR | Spare 1 | W | Net. C | Spare 2 |
| 22A3T | BK | Net. RR | Spare 1 | S | Net. C | Spare 2 |
| 23A2T, 23A9T | BK | Net. RR | Spare 1 | S | Net. C | Spare 2 |
| 24A8T, 24B8T | BK | Net. RR | Spare 1 | S | Net. C | Spare 2 |
| 26A9T | BK | Net. RR | Spare 1 | S | Net. C | Spare 2 |
| 27-Type | BK | TB1 8 § | TB1 3 | W-O | TB1 45 | TB1 5 |
| 28-Type | G | TB1 6 | TB1 7 | S, O-BK | TB1 1 | TB1 2 |
| 29A2T, 29B2T | BK | Net. RR | Spare 1 | S | Net. C | Spare 2 |
| 32A3T | BK | Net. RR | Spare 1 | S | Net. C | Spare 2 |
| 34A5T, 34B5T | BK | Net. RR | Spare 1 | S | Net. C | Spare 2 |
| 43A5T | BK | Net. RR | Spare 1 | S | Net. C | Spare 2 |
| 46A9T | BK | Net. RR | Spare 1 | S | Net. C | Spare 2 |
| 47-Type | BK | TB1 8 § | TB1 3 | W-O | TB1 45 | TB1 5 |
| 48-Type | G | TB1 6 | TB1 7 | S, O-BK | TB1 1 | TB1 2 |
| 53A5T, 53B5T | BK | Net. RR | Spare 1 | S | Net. C | Spare |
| 53A9T, 53B9T | BK | Net. RR | Spare 1 | S | Net. C | Spare 2 |
| 53C5T | BK | Net. RR | Spare 1 | S | Net. C | Spare 2 |
| 54A8T, 54B8T | BK | Net. RR | Spare 1 | S | Net. C | Spare 2 |
| 56A9T | BK | Net. RR | Spare 1 | S | Net. C | Spare 2 |
| 63B5T, 63B9T | BK | Net. RR | Spare 1 | S | Net. C | Spare 2 |
| 83B5T, 83B9T, 83C5T | BK | Net. RR | Spare 1 | S | Net. C | Spare 2 |
| 121-Type | BK | TB1 41 § | TB1 3 | G | TB1 22 | TB1 5 |
| 128A3T, 128A4T | G | 42 ** | Spare 1 | R | 4 | Spare 2 |
| 131-Type | BK | TB1 41 § | TB1 3 | Y-O | TB1 22 | TB1 5 |
| 138A4T | G | 42 ** | Spare 1 | R | 4 | Spare 2 |
| 151-Type | BK | TB1 41 § | TB1 3 | Y-O | TB1 22 | TB1 5 |

Notes:

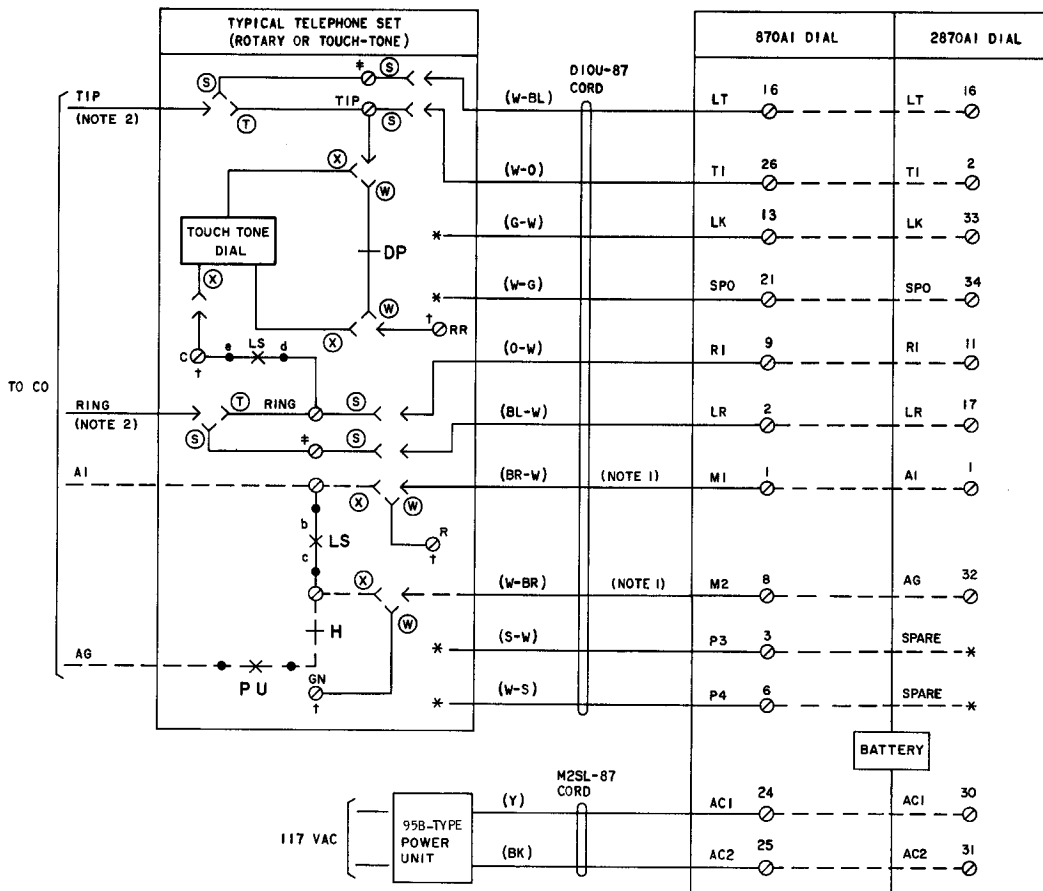
1. To allow proper placement of adjunct, the D10U-87 may have to be replaced by a D10R-87 mounting cord, observing same color code.
2. 2870A1 dial not compatible with 21, 41-, 45-, 51-Type or AGD-, A G H-Type (DIMENSION® PBX) consoles.

* Insulate and store.

TABLE I (Contd)
CONNECTIONS FOR 2870A1 DIAL TO TELEPHONE CONSOLE

| D10U-87 CORD (FROM ADJUNCT DIAL) | | | | | | | | | |
|----------------------------------|---------|---------|---------|------------------------|------|-----|-----|-------|----|
| STANDARD FUNCTIONS | | | | SPEAKERPHONE/ONE-TOUCH | | | | | |
| LT | T1 | LR | R1 | A1 | AG | LK | SPO | SPARE | |
| W-BL | W-O | BL-W | O-W | BR-W | W-BR | G-W | W-G | S-W | WS |
| TB1 14 | TB1 9 | TB1 8 | TB1 3 | | | | | | |
| 5 | Spare 1 | 4 | Spare 2 | | | | | | |
| Spare 1 | Net. RR | Spare 2 | Net. C | | | | | | |
| Spare 1 | Net. RR | Spare 2 | Net. C | | | | | | |
| Spare 1 | Net. RR | Spare 2 | Net. C | | | | | | |
| Spare 1 | Net. RR | Spare 2 | Net. C | | | | | | |
| Spare 1 | Net. RR | Spare 2 | Net. C | | | | | | |
| Spare 1 | Net. RR | Spare 2 | Net. C | | | | | | |
| Spare 1 | Net. RR | Spare 2 | Net. C | | | | | | |
| TB1 8 | TB1 3 | TB1 5 | TB1 45 | | | | | | |
| TB1 6 | TB1 7 | TB1 1 | TB1 2 | | | | | | |
| Spare 1 | Net. RR | Spare 2 | Net. C | | | | | | |
| Spare 1 | Net. RR | Spare 2 | Net. C | | | | | | |
| Spare 1 | Net. RR | Spare 2 | Net. C | * | * | * | * | * | * |
| Spare 1 | Net. RR | Spare 2 | Net. C | | | | | | |
| Spare 1 | Net. RR | Spare 2 | Net. C | | | | | | |
| TB1 8 | TB1 3 | TB1 5 | TB1 45 | | | | | | |
| TB1 6 | TB1 7 | TB1 1 | TB1 2 | | | | | | |
| Spare 1 | Net. RR | Spare 2 | Net. C | | | | | | |
| Spare 1 | Net. RR | Spare 2 | Net. C | | | | | | |
| Spare 1 | Net. RR | Spare 2 | Net. C | | | | | | |
| Spare 1 | Net. RR | Spare 2 | Net. C | | | | | | |
| Spare 1 | Net. RR | Spare 2 | Net. C | | | | | | |
| Spare 1 | Net. RR | Spare 2 | Net. C | | | | | | |
| Spare 1 | Net. RR | Spare 2 | Net. C | | | | | | |
| TB1 41 | TB1 3 | TB1 5 | TB1 22 | | | | | | |
| Spare 1 | 42 ** | Spare 2 | 4 | | | | | | |
| TB1 41 | TB1 3 | TB1 5 | TB1 22 | | | | | | |
| Spare 1 | 42 ** | Spare 2 | 4 | | | | | | |
| TB1 41 | TB1 3 | TB1 5 | TB1 22 | | | | | | |

† Spare "1s" use same spare terminal or D-161488 connector in console.
 ‡ Consoles equipped with TOUCH-TONE dials only.
 § Lead from network terminal RR.
 ¶ Spare "2s" use same spare terminal or D-161488 connector in console.
 ** If neither Privacy nor DSS option is provided, this will be terminal 22.



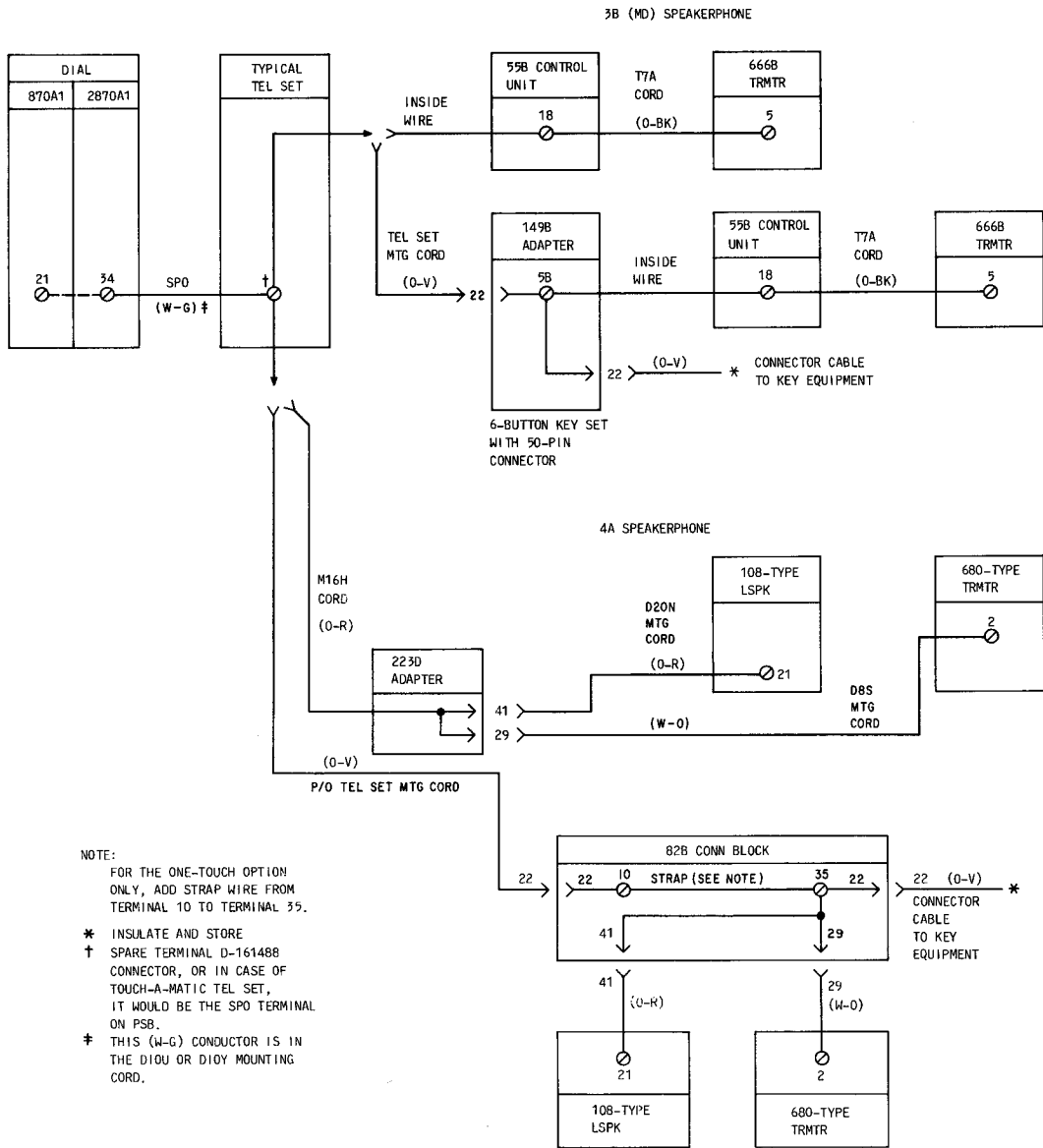
NOTES:

1. THE (BR-W) AND (W-BR) ARE HANDSET MUTING LEADS ONLY IN CASE OF THE 870A1 DIAL ONLY.
2. LT AND LR LEADS OF THE ADJUNCT DIAL MUST CONNECT TO THE INCOMING TIP AND RING LEADS IN THE TELEPHONE SET AT THE FIRST ACCESSIBLE POINT. IN THE CASE OF KEY TELEPHONE SETS, IT MUST BE BEHIND THE LINE PICKUP KEYS. THE LT, TI, AND LR, RI, LEADS MUST BE CONNECTED INTO THE TELEPHONE SET IN SERIES WITH THE TIP AND RING PATH.

* SPARE TERMINAL OR D-161488 CONNECTOR
DP DIAL PULSE

- Ⓣ NORMAL TELEPHONE SET CONNECTION
- Ⓢ CONNECTION WITH ADJUNCT DIAL
- Ⓦ ROTARY DIAL SET
- Ⓧ "TOUCH-TONE" DIAL SET
- * INSULATE AND STORE
- † TERMINAL ON NETWORK

Fig. 6—Basic Interface Connections for 870A1 and 2870A1 Dials



NOTE:
 FOR THE ONE-TOUCH OPTION ONLY, ADD STRAP WIRE FROM TERMINAL 10 TO TERMINAL 35.
 * INSULATE AND STORE
 † SPARE TERMINAL D-161488 CONNECTOR, OR IN CASE OF TOUCH-A-MATIC TEL SET, IT WOULD BE THE SPO TERMINAL ON PSB.
 ‡ THIS (W-G) CONDUCTOR IS IN THE D10U OR D10Y MOUNTING CORD.

Fig. 8—870A1 and 2870A1 Dials, "SPO" Interface Connections for One-Touch Calling

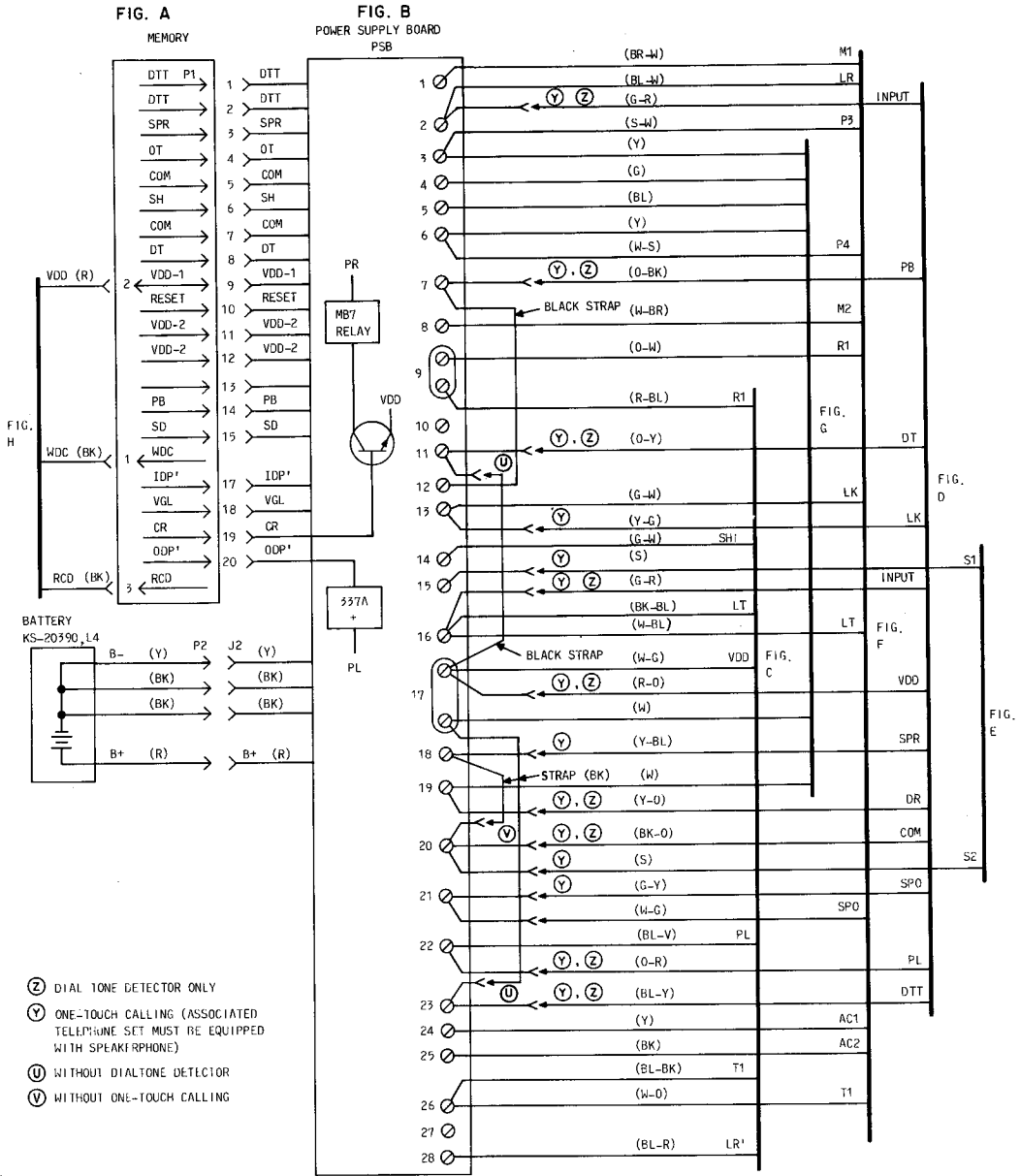


Fig. 9—870A1 Dial, Connections (Sheet 1 of 2)

FIG. C
LINE SENSING RELAY PWB
841382880

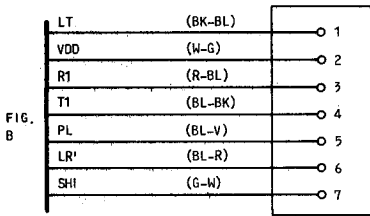


FIG. D
DIAL TONE DETECTOR
(D-180493)

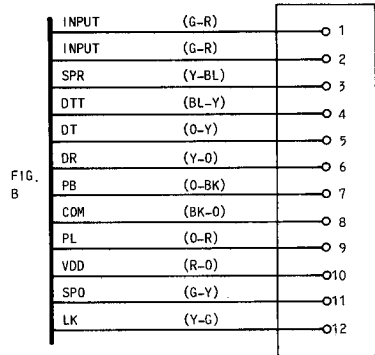


FIG. E
ONE-TOUCH CALLING SWITCH
(D-180493)

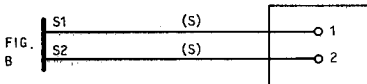


FIG. G
8EA -119 DIAL

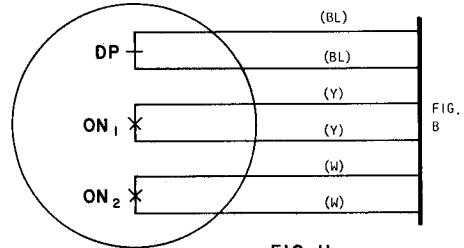


FIG. F
DIOU-87 MOUNTING CORD
ASSOCIATED TELEPHONE SET

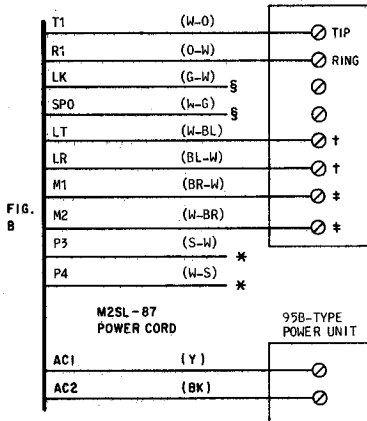
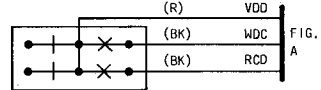


FIG. H
RECORD DISABLE/DIAL INTERMIX (D-180818)



DP - DIAL PULSE

ON - OFF NORMAL

* INSULATE AND STORE UNLESS SPEAKERPHONE IS PROVIDED

† SPARE TERMINAL OR D-161488 CONNECTOR

‡ APPROPRIATE TERMINAL TO PROVIDE MUTING OF RECEIVER

§ INSULATE AND STORE UNLESS ONE TOUCH CALLING IS PROVIDED

Fig. 9—870A1 Dial, Connections (Sheet 2 of 2)

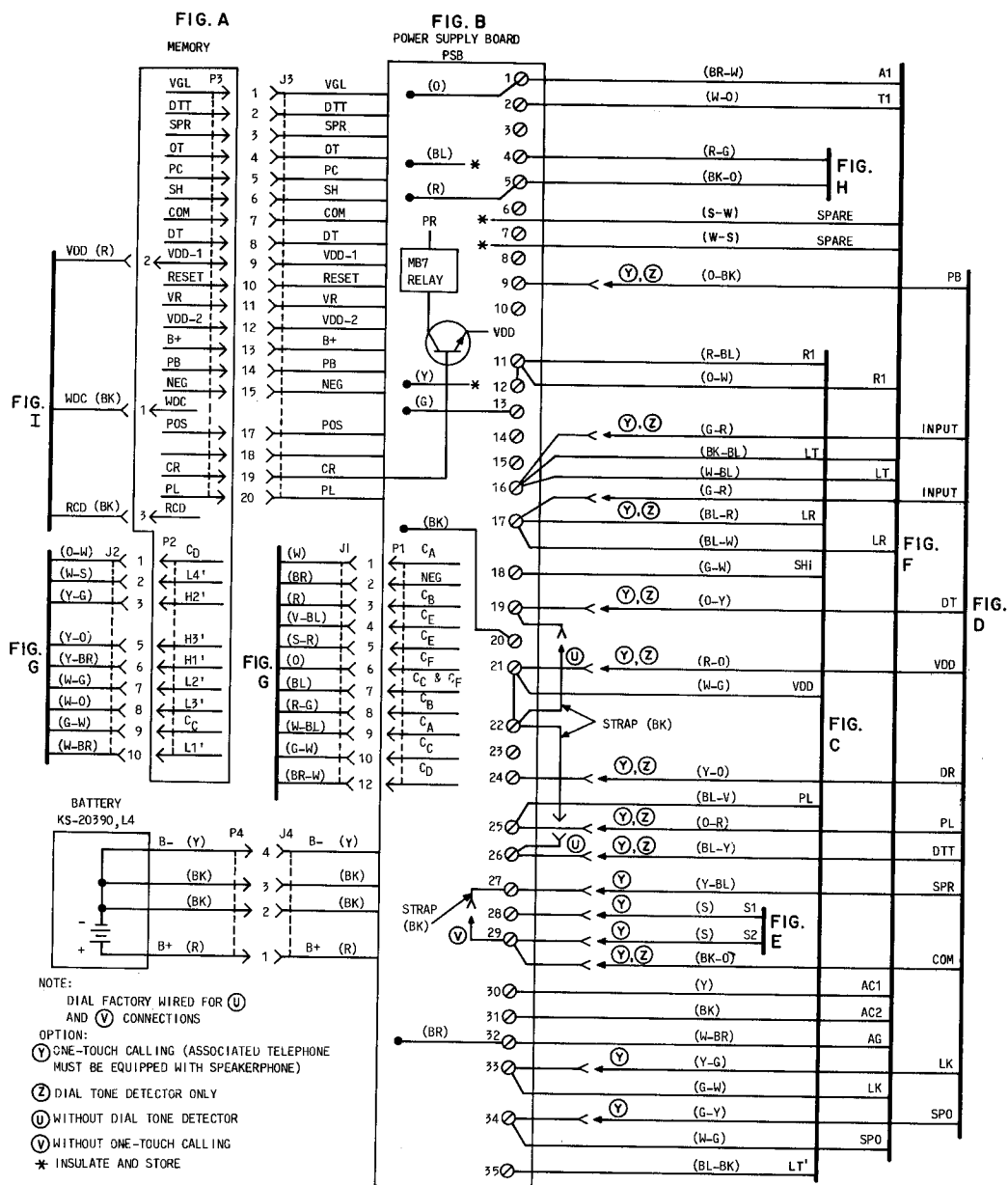
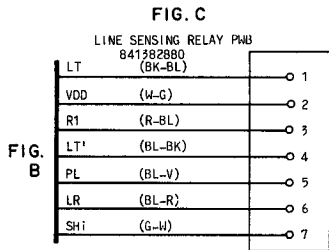


Fig. 11—2870A1 Dial, Connections (Sheet 1 of 2)



NOTE:
ASSOCIATED TELEPHONE SET
MUST BE EQUIPPED WITH
SPEAKERPHONE
* INSULATE AND STORE
+ SPARE TERMINAL OR
D-161488 CONNECTOR
INSULATE AND STORE UNLESS
ONE TOUCH CALLING IS PROVIDED
(ASSOCIATED TELEPHONE
SET EQUIPPED WITH
SPEAKERPHONE)

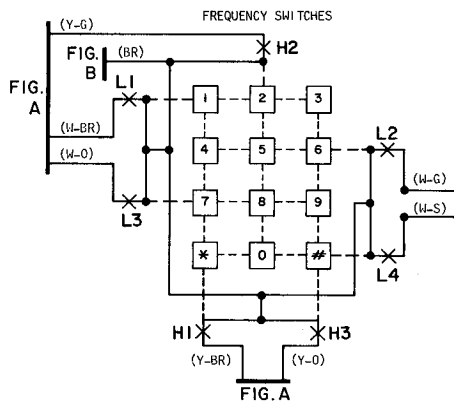
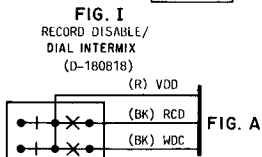
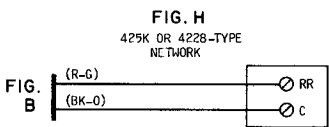
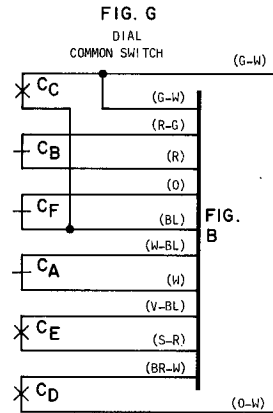
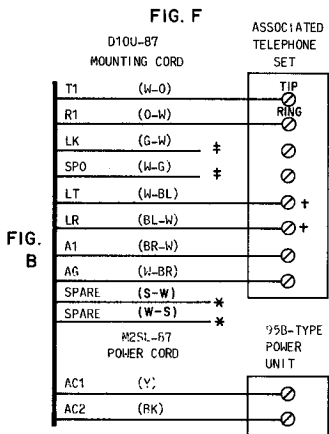
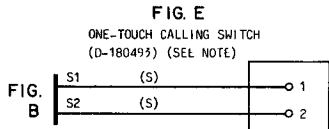
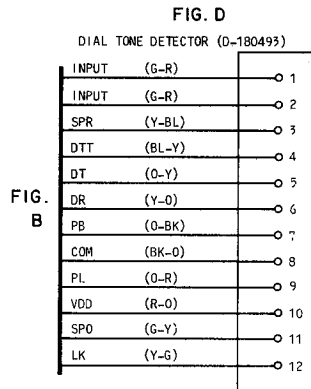


Fig. 11—2870A1 Dial, Connections (Sheet 2 of 2)

TABLE J

TROUBLE ANALYSIS - 870A1 DIAL

| TROUBLE NUMBER | FAILURE | ADDITIONAL SYMPTOM | POSSIBLE CAUSE | REMEDIAL ACTION |
|----------------|------------------------------------------------------------------------------------------|----------------------------------------------------------------------------------------------------------------------|-------------------------------------------------------------|----------------------------------------------------------------------------------------------------------------------------------------------------------------------------------|
| 1 | Dead set when off-hook | No dial tone, Connect transmit or receive when off-hook using handset | Mounting cord improperly connected to telephone set | Check cord connections from line to telephone set or console and to adjunct dial. See Fig. 6, 7 or Tables F-I. |
| | | | Open cord conductor or defective Line Sensing Relay PWB | Check continuity between W-BL and W-O conductors and between BL-W and O-W conductors. (Nominal resistance is 8 ohms.) If open, replace mounting cord or Line Sensing Relay board |
| | | | Unknown | Replace adjunct dial* |
| 2 | Cannot manually dial when off-hook using either telephone set dial or 870A1 adjunct dial | Cannot break dial tone or cannot hang-up set | Extension station off-hook | Place extension station on-hook |
| 3 | Cannot manually dial when off-hook using adjunct dial | Cannot dial using set dial but can manually dial using 870A1 dial only when ac power is disconnected | Improperly installed or defective memory | 1. Check connector cable 2. Replace memory |
| | | | Defective PSB | Replace adjunct dial* |
| | | | Improperly installed or defective rotary dial | 1. Check connections 2. Replace rotary dial |
| | | No dialing clicks heard when dial is returning. Condition remains unchanged when 95B-type power unit is disconnected | Unknown | Replace adjunct dial* |
| 4 | RECORD lamp does not function properly | RECORD lamp does not turn on when RECORD button is depressed or RECORD lamp is on and cannot be turned off | Battery not plugged in or defective | Connect or replace battery |
| | | | AC power not present | Check for commercial power |
| | | | 95B-type power unit not plugged in or defective | Check or replace power unit (should read 13.4 to 18 Vac across screw terminals 24 and 25 on PSB) |
| | | | Switch of D-180818 or D-180837 Kit of Parts in ON position. | Change switch position to OFF |
| | | RECORD lamp does not turn on when RECORD button is depressed | Bad connections or defective M2SL-87 cord | 1. Check connections and cord 2. Replace cord |

*Refer to 6,02(4).

TABLE J (Contd)

TROUBLE ANALYSIS - 870A1 DIAL

| TROUBLE NUMBER | FAILURE | ADDITIONAL SYMPTOM | POSSIBLE CAUSE | REMEDIAL ACTION |
|----------------|-----------------------------------------------------------------------------------------|---------------------------------------------------------------------------------------------------------------------------------------------------------------------------------------|--------------------------------------------------------------------|------------------------------------------------------------|
| 4 (Contd) | | | Memory, RECORD OFF or WAIT button stuck down | Clear stuck button |
| | | | Defective lamp or lamp driver circuit | Replace memory |
| | | | Unknown | Replace adjunct dial* |
| | | Lamp turns off when any memory button is depressed | Defective logic | Replace memory |
| | | | Unknown | Replace adjunct dial* |
| | | Lamp does not turn off as dial is returning. No MB7 relay click heard at beginning of dial wind-up or at end of dial return | Improperly connected or defective rotary dial (off-normal contact) | 1. Check rotary dial connections 2. Replace rotary dial |
| | | | Unknown | Replace adjunct dial* |
| | | Lamp does not turn off as dial is returning, but MB7 relay click is heard at beginning of dial wind-up and at end of dial return. Can manually dial off-hook | Improperly connected or defective memory | 1. Check connector cable 2. Replace memory |
| | | | Unknown | Replace adjunct dial* |
| | | Lamp turns off as dial is returning and stays off | Memory button was not depressed prior to the operation of the dial | Record per 5.01 |
| | | | Defective memory | Replace memory |
| | | | Unknown | Replace adjunct dial* |
| 5 | Cannot record properly into the 31 memory positions or into LAST NUMBER DIALED position | RECORD lamp functions properly and can manually dial using adjunct dial | Defective Memory | Replace memory |
| | | | Unknown | Replace adjunct dial* |
| | | Party is reached when number is recorded as it is manually dialed; however, when number is subsequently dialed from memory, party is not reached - wrong number is dialed from memory | Check recording procedure | Record per 5.01 |
| | | | Defective memory | Replace memory |
| | | | Switch of D-180818 or D-180837 Kit of Parts in ON position | Change switch position to OFF |
| | | | Unknown | Replace adjunct dial* |
| 6 | Cannot dial properly from memory | MB7 relay clicks heard when manual dial is operated, but no automatic dialing possible. RECORD lamp does not light | Battery not plugged in | Plug in battery |

*Refer to 6.02(4).

TABLE J (Contd)

TROUBLE ANALYSIS – 870A1 DIAL

| TROUBLE NUMBER | FEATURE | ADDITIONAL SYMPTOM | POSSIBLE CAUSE | REMEDIAL ACTION |
|----------------|---------|---------------------------------------------------------------------------------------------------------------------------------------------------------|-------------------------------------------------------------------------|------------------------------------------------------------------------------------------------------------------------------------------------------------------------------------------------------------------------------------------------------------------------------------|
| 6 (Contd) | | MB7 relay does not operate (no click heard) when memory button is depressed | Memory not securely mounted | Tighten memory mounting screws |
| | | | Improper and/or defective strap from PSB terminal 18 to PSB terminal 20 | Check and/or replace strap lead. See Fig. 9B |
| | | | Improper connection to or defective memory | 1. Check connector cable 2. Replace memory |
| | | Can dial from memory by adding temporary strap lead between PSB terminals 14 and 17 | Improperly installed or defective Line Sensing Relay PWB | 1. Check connections 2. Replace Line Sensing Relay PWB |
| | | | Unknown | Replace adjunct dial* |
| | | MB7 relay operates (click heard) when memory button is depressed but no dialing clicks are heard. In addition, transmit and receive levels are very low | WAIT button is stuck down or defective | Free stuck WAIT button or replace memory |
| | | | Unknown | Replace adjunct dial* |
| | | No digits, random digits or all the same digits in memory location(s). Note: memory may or may not have functioned properly as some previous time | AC power outage for 24 hours or longer | Reestablish ac power and rerecord numbers into memory |
| | | | Disconnected or defective battery | 1. Plug in the battery 2. Allow the battery to be charged for a minimum of 5 minutes. Then remove the power unit from the ac power outlet for 10 seconds and reinsert 3. If previously stored numbers are not dialed from memory, replace the battery 4. Repeat procedure |
| | | Defective memory | | Replace memory |
| | | Unknown | | Replace adjunct dial* |
| | | Automatically dials through a WAIT | Memory not securely mounted | Tighten memory mounting screws |
| | | | Improper connection to PSB terminal 23 | Check connection to and/or replace strap to PSB terminal 23 |
| | | | Defective memory | Replace memory |
| | | | Unknown | Replace adjunct dial* |

*Refer to 6.02(4).

TABLE J (Contd)

TROUBLE ANALYSIS – 870A1 DIAL

| TROUBLE NUMBER | FAILURE | ADDITIONAL SYMPTOM | POSSIBLE CAUSE | REMEDIAL ACTION |
|----------------|-----------------------------------------------------------------------------------------------------------|-----------------------------------------------------------------------------------------------------------------------------|-------------------------------------------------------------------------------------------------------------|--------------------------------------------------------------------|
| 6 (Contd) | | Number appears to be dialed out correctly but results in "high and dry" condition or connection to invalid number recording | Switching transients causing line break greater than 300 milliseconds due to incompatibility with switching | Consult your Telco engineer |
| 7 | Cannot dial properly from memory when off-hook and using adjunct dial (wired for dial tone detector only) | MB7 relay clicks when manual dial is operated, but no automatic dialing possible. RECORD lamp does not light | Battery not plugged in | Plug in battery |
| | | MB7 relay does not operate (no click heard) when memory button is depressed | Precise dial tone may not be present | Make sure precise (350 Hz and 440 Hz) dial tone is present |
| | | | Memory not securely mounted | Tighten memory mounting screws |
| | | | Improper installation of dial tone detector | Check connections for D-180493 installation. See Table B. |
| | | Same as above – Addition of temporary strap lead between PSB terminals 11 and 20 does not correct problem | Improper connection to or defective memory | 1. Check connector cable 2. Replace memory |
| | | Addition of temporary strap lead between PSB terminals 11 and 20 corrects problem | Defective dial tone detector | Replace D-180493 dial tone detector |
| Unknown | Replace adjunct dial* | | | |
| 8 | Speakerphone does not turn on when a memory button is momentarily depressed (wired for ONE-TOUCH option) | | SPO path not completed via proper lead in telephone set mounting cord | Check for correct lead assignment per Fig. 8. |
| | | | With 4A speakerphone 82B connecting block not modified per Fig. 8 | Add strap lead between terminals 10 and 35 on 82B connecting block |
| | | | ONE-TOUCH calling switch in OFF position | Turn ONE-TOUCH calling switch on |
| | | With addition of a temporary strap between PSB terminals 15 and 20, speakerphone turns on when a memory button is depressed | Defective ONE-TOUCH calling switch | Replace switch assembly of D-180493 Kit of Parts |
| | | With addition of a temporary strap between PSB terminals 13 and 21, speakerphone turns on | Defective connections between dial tone detector and PSB | Check (Y-G) and (G-Y) leads to PSB terminals 13 and 21 |
| | | | Defective Line Sensing Relay PWB | Replace Line Sensing Relay PWB |
| | | | Defective dial tone detector | Replace dial tone detector of D-180493 Kit of Parts |

*Refer to 6.02(4).

TABLE J (Contd)
TROUBLE ANALYSIS — 870A1 DIAL

| TROUBLE NUMBER | FAILURE | ADDITIONAL SYMPTOM | POSIBLE CAUSE | REMEDIAL ACTION |
|----------------|-------------------------------------------------------------------------------------------------------------------------------------|---------------------------------------------------------------------------------------------------------------------------|----------------------------------------------------------------------------------------------------|----------------------------------------------------------------------------------------------------------------------------------------------------------------------------------------|
| 9 | Speakerphone turns on but adjunct dial does not automatically dial when memory button is depressed (wired for ONE-TOUCH option) | | (BK) strap leads from screw terminals 11 and 23 on PSB were not disconnected when option was wired | Disconnect, insulate and store strap leads |
| | | Set automatically dials when screw terminals 11 and 20 on PSB are temporarily shorted | Precise dial tone not present or a defective dial tone detector | 1. Check CO line for presence of precise dial tone (350 Hz and 440 Hz) 2. If correct dial tone is present, replace dial tone detector PWB assembly of D-180493 Kit of Parts |
| 10 | Delay time between depression of a memory button and initiation of automatic dialing exceeds 3 seconds (wired for ONE-TOUCH option) | | Defective timing circuit | 1. Replace memory 2. Replace dial tone detector PWB assembly of D-180439 Kit of Parts |
| 11 | Cannot turn speakerphone off (wired for ONE-TOUCH option) | Speakerphone turns off when OFF button is depressed but turns on when OFF button is released | Memory button depressed when TIP and RING not connected to telephone set | Depress RECORD OFF button and then depress speakerphone OFF button |
| | | | (BK) strap lead from terminal 18 on PSB was not disconnected when option was wired | Disconnect, insulate and store strap lead |
| | | Speakerphone turns off and stays off when (Y-BL) lead is disconnected from terminal 18 on PSB and OFF button is depressed | Defective logic from memory | Replace memory |
| | | Speakerphone turns off when handset is taken off-hook but turns on when handset is placed on-hook | Defective circuit on D-180493 Kit of Parts | Replace dial tone detector board assembly of D-180493 Kit of Parts |
| 12 | Automatic dialing commences for no apparent reason (wired for ONE-TOUCH option) | | Static discharge damage | 1. Replace memory 2. Consult Telco engineer for proper grounding procedures |
| 13 | Adjunct dials automatically but does wait for dial tone (wired for ONE-TOUCH option) | | Noise on line | 1. Add .05 μ f capacitor between PSB-21 and PSB-26 2. Remove above capacitor and add resistor (10k Ω — 50k Ω) in series with a G-R dial tone detector input lead |

TABLE K

TROUBLE ANALYSIS – 2870A1 DIAL

| TROUBLE NUMBER | FAILURE | ADDITIONAL SYMPTOM | POSSIBLE CAUSE | REMEDIAL ACTION |
|----------------|-----------------------------------------------------------------------------|------------------------------------------------------------------------------------------------------------|--------------------------------------------------------------|----------------------------------------------------------------------------------------------------------------------------------------------------------------------------------|
| 1 | Dead set when off-hook | No dial tone Cannot transmit or receive when off-hook using handset | Mounting cord improperly connected to telephone set | Check cord connections from line to telephone set or console and to adjunct dial. See Fig. 6, 7 or Tables F-I |
| | | | Open cord conductor or defective Line Sensing Relay PWB | Check continuity between W-BL and W-O conductors and between BL-W and O-W conductors. (Nominal resistance is 8 OHMS.) If open, replace mounting cord or Line Sensing Relay Board |
| | | | Unknown | Replace adjunct dial* |
| 2 | Cannot manually dial when off-hook using telephone set dial or adjunct dial | Clicking sounds or damped TOUCH-TONE signals heard when dial buttons are depressed. Cannot hang up set | Extension station off-hook | Place extension station on-hook |
| 3 | Cannot manually dial when off-hook and using adjunct dial | No audible TOUCH-TONE signal present | Power supply cable connector not properly inserted on memory | Check connector insertion |
| | | | Dial connectors not properly inserted | 1. Check connector 2. Replace 35-type dial |
| | | | Defective memory | Replace memory |
| | | | Unknown | Replace adjunct dial* |
| | | Some TOUCH-TONE dial frequencies incorrect | Static discharge damage | 1. Replace memory 2. Consult Telco engineer for proper grounding procedures |
| 4 | Cannot manually dial some digits when off-hook using adjunct dial | | Open or loose leads to dial contacts | Check for proper insertion of leads into 10-position dial connector |
| | | | Defective frequency contacts on 35-type dial | Replace 35-type dial |
| | | | Defective memory | Replace memory |
| | | | Unknown | Replace adjunct dial* |
| 5 | RECORD lamp does not function properly | RECORD lamp does not turn on when RECORD button is depressed or RECORD lamp is on and cannot be turned off | Battery not plugged in or defective | Connect or replace battery |
| | | RECORD lamp does not turn on when RECORD button is depressed | AC power not present | Check for commercial power |

*Refer to 6.02(4).

TABLE K (Contd)

TROUBLE ANALYSIS – 2870A1 DIAL

| TROUBLE NUMBER | FAILURE | ADDITIONAL SYMPTOM | POSSIBLE CAUSE | REMEDIAL ACTION |
|----------------|---------------------------------------------------------------------------------------------|----------------------------------------------------------------------------------------------|------------------------------------------------------------------------------------------------------------------------------------------------------------------|-------------------------------------------------------------------------------------------------|
| 5 (Contd) | | | Power unit not plugged in or defective | Check or replace power unit. Should read 13.9 to 18 Vac across screw terminals 30 and 31 on PSB |
| | | | Bad connections or defective M2SL cord | 1. Check connections and cord 2. Replace cord |
| | | | Memory, RECORD OFF or WAIT button stuck down | Clear stuck button |
| | | | Switch of D-180818 or D-180837 Kit of Parts in ON position | Change switch position to OFF |
| | | | Defective lamp or lamp driver circuit | Replace memory |
| | | | Static discharge damage | 1. Replace memory 2. Consult Telco engineer for proper grounding procedures |
| | | | Unknown | Replace adjunct dial* |
| | | | Lamp turns off, flashes or lights erratically when any memory button is depressed or lamp does not momentarily turn off when dial button on adjunct is depressed | Defective logic |
| | Unknown | Replace adjunct dial* | | |
| 6 | Cannot read into memory | RECORD lamp momentarily flashes when RECORD button is depressed | Stuck RECORD OFF button | Check RECORD OFF button |
| | | | WAIT contacts closed even when WAIT button is not depressed or stuck WAIT button | Replace memory |
| | | | Defective Line Sensing Relay PWB | Replace Line Sensing Relay PWB |
| | | Digits appear to be accepted correctly but cannot automatically dial from memory | Dialing problem | See Trouble No. 8 |
| 7 | Cannot record properly into the 31 memory positions or into the LAST NUMBER DIALED position | Warble tones heard when automatically dialing. Get intercept for automatic or manual dialing | WAIT contacts closed even when WAIT button is not depressed or stuck WAIT button | Replace memory |
| | | RECORD lamp does not light | Switch of D-180818 or D-180837 Kit of Parts in ON position | Change switch position to OFF |

*Refer to 6,02(4).

TROUBLE ANALYSIS – 2870A1 DIAL

| TROUBLE NUMBER | FAILURE | ADDITIONAL SYMPTOM | POSSIBLE CAUSE | REMEDIAL ACTION | |
|----------------|----------------------------------|---------------------------------------------------------------------------------------------------------------------------------------------------------------------------------------|-------------------------------------------------------------------------------------------------------------|------------------------------------------------------------------------------------------------------------------------------------------------------------------------------------------------------------------------------------------------------------------------------------|---------------------------------------------|
| 7 (Contd) | | Party is reached when number is recorded as it is manually dialed. However, when number is subsequently dialed from memory, party is not reached – wrong number is dialed from memory | Incorrect dial contact sequence | Replaces adjunct dial* | |
| | | | Defective logic | Replace memory | |
| | | | Open circuit on PSB | Replace adjunct dial* | |
| | | | Unknown | | |
| 8 | Cannot dial properly from memory | | Did not record properly | 1. Record per 5.01 2. See Trouble No. 6 | |
| | | | Battery not plugged in | Connect battery | |
| | | MB7 relay does not operate (no clicking sound heard) when memory button is depressed. No audible TOUCH-TONE signal is present | Open circuit in power path | Check for proper strap lead connections on PSB See Fig. 11(B) | |
| | | | Defective logic | Replace memory | |
| | | MB7 relay operates (clicking sound heard) but holds for less than 0.1 second for a 15 digit number | Incorrect dial sequence | Replace 35-type dial | |
| | | | | | No audible TOUCH-TONE signal present |
| | | | | | Audible gap in train of digits being dialed |
| | | No digits or random digits in memory | AC power outage for 24 hours or longer | Reestablish ac power rerecord numbers into memory | |
| | | | Disconnected or defective battery | 1. Plug in the battery 2. Allow the battery to be charged for a minimum of 5 minutes. Then remove the power unit from the ac power outlet for 10 seconds and reinsert 3. If previously stored numbers are not dialed from memory, replace the battery 4. Repeat procedure | |
| | | | Defective power supply circuit | Replace adjunct dial* | |
| | | Number appears to be dialed out correctly but results in "high and dry" conditions or connection to invalid number recording | Switching transients causing line break greater than 300 milliseconds due to incompatibility with switching | Consult your Telco engineer | |

*Refer to 6.02(4).

TABLE K (Contd)

TROUBLE ANALYSIS — 2870A1 DIAL

| TROUBLE NUMBER | FAILURE | ADDITIONAL SYMPTOM | POSSIBLE CAUSE | REMEDIAL ACTION |
|----------------|-----------------------------------------------------------------------------------------------------------|----------------------------------------------------------------------------------------------------------------------------------|-----------------------------------------------------------------------|--------------------------------------------------------------------------------------------------------------|
| 8 (Contd) | | No digits or all the same in random memory locations | Defective memory | Replace memory |
| | | Two or more memory locations have same digits which are usually different from originally recorded digits | Static discharge damage | 1. Replace memory 2. Consult Telco engineer for proper grounding procedures |
| | | Automatically dials through a WAIT | Memory not securely mounted | Tighten memory mounting screws |
| | | | Improper connection to PSB terminal 26 | Check connection to and/or replace strap to PSB terminal 26 |
| | | | Defective memory | Replace memory |
| Unknown | Replace adjunct dial* | | | |
| 9 | Cannot dial properly from memory when off-hook and using adjunct dial (wired for dial tone detector only) | MB7 relay clicks when manual dial is operated but no automatic dialing possible. RECORD lamp does not light. | Battery not plugged in | Plug in battery |
| | | MB7 relay does not operate (no click heard) when memory button is depressed | Precise dial tone may not be present | Make sure precise (350 Hz and 440 Hz) dial tone is present |
| | | | Memory not securely mounted | Tighten memory mounting screws |
| | | | Improper installation of dial tone detector | Check connections of D-180493 installation. See Fig. 11D and Table B |
| | | Same as above — Addition of temporary strap lead between PSB terminals 19 and 29 does not correct problem | Improper connection to or defective memory | 1. Check connector cable 2. Replace memory |
| | | Addition of temporary strap lead between PSB terminals 19 and 29 corrects problem | Defective dial tone detector | Replace D-180493 dial tone detector |
| Unknown | Replace adjunct dial* | | | |
| 10 | Speakerphone does not turn on when a memory button is momentarily depressed (wired for ONE-TOUCH option) | | SPO path not completed via proper lead in telephone set mounting cord | Check for correct lead assignment in Fig. 8. |
| | | | With 4A speakerphone 82B connecting block not modified per Fig. 8 | Add strap lead between terminals 10 and 35 on 82B |
| | | With addition of a temporary strap between PSB screw terminals 28 and 29 speakerphone turns on when a memory button is depressed | ONE-TOUCH calling switch turned off or defective | 1. Turn ONE-TOUCH calling switch on 2. Replace ONE-TOUCH calling switch assembly of D-180493 Kit of Parts |

*Refer to 6.02(4).

TABLE K (Contd)

TROUBLE ANALYSIS – 2870A1 DIAL

| TROUBLE NUMBER | FAILURE | ADDITIONAL SYMPTOM | POSSIBLE CAUSE | REMEDIAL ACTION |
|----------------|-------------------------------------------------------------------------------------------------------------------------------------|-----------------------------------------------------------------------------------------------------------------------------------|-----------------------------------------------------------------------------------------------|--------------------------------------------------------------------------------------------------------------------------------------------------------------|
| 10 (Contd) | | With addition of a temporary strap between PSB screw terminals 33 and 35, speakerphone turns on when a memory button is depressed | Defective connections between dial tone detector and PSB | Check (Y-G) and (G-Y) leads to PSB terminals 33 and 34, respectively. |
| | | | Defective Line Sensing Relay PWB | Replace Line Sensing Relay PWB |
| | | | Defective dial tone detector | Replace D-180493 dial tone detector |
| 11 | Speakerphone turns on but adjunct dial does not automatically dial when memory button is depressed (wired for ONE-TOUCH option) | | Strap leads from screw terminals 19 and 26 on PSB were not disconnected when option was wired | Disconnect, insulate and store strap leads |
| | | Dial automatically dials when screw terminals 19 and 29 on PSB are temporarily shorted | Precise TOUCH-TONE dial tone not present or a defective dial tone detector | 1. Check CO line for presence of precise TOUCH-TONE dial tone (350 Hz and 440 Hz) 2. If correct dial tone is present, replace D-180493 dial tone detector |
| 12 | Delay time between depression of a memory button and initiation of automatic dialing exceeds 3 seconds (wired for ONE-TOUCH option) | | Defective timing circuit | 1. Replace memory 2. Replace D-180493 dial tone detector |
| 13 | Cannot turn speakerphone off (wired for ONE-TOUCH option) | Speakerphone turns off when OFF button is depressed but turns on when OFF button is released | Memory button depressed when TIP & RING disconnected from set | Depress RECORD OFF button |
| | | | (BK) strap lead from terminal 27 on PSB was not disconnected when option was wired | Disconnect, insulate and store strap lead. |
| | | Speakerphone turns off and stays off when (Y-BL) lead is disconnected from terminal 27 on PSB and OFF button is depressed | Defective logic | Replace memory |
| | | Speakerphone turns off when handset is taken off-hook but turns on when handset is placed on-hook | Defective circuit on D-180493 Kit of Parts | Replace D-180493 dial tone detector |

TABLE K (Contd)

TROUBLE ANALYSIS – 2870A1 DIAL

| TROUBLE NUMBER | FAILURE | ADDITIONAL SYMPTOM | POSSIBLE CAUSE | REMEDIAL ACTION |
|----------------|------------------------------------------------------------------------------------------|--------------------|-------------------------|-----------------------------------------------------------------------------------------------------------------------------------------------------------------------------------------------------------------------------------------------------------------------------|
| 14 | Automatic dialing commences for no apparent reason (wired for ONE-TOUCH option) | | Static discharge damage | <ol style="list-style-type: none"> 1. Replace memory 2. Consult Telco engineer for proper grounding procedures |
| 15 | Adjunct dials automatically but does not wait for dial tone (wired for ONE-TOUCH option) | | Noise on line | <ol style="list-style-type: none"> 1. Add .05 μf capacitor between PSB-21 and PSB-26 2. Remove above capacitor and add resistor (10kΩ - 50kΩ) in series with a G-R dial tone detector input lead |

870B1M AND 2870B1M TOUCH-A-MATIC® 32 ADJUNCT DIAL IDENTIFICATION, INSTALLATION, CONNECTIONS, OPERATION, AND MAINTENANCE

| CONTENTS | PAGE | CONTENTS | PAGE |
|----------------------------------------------------------------------------------|------|------------------------------------------------------------------|------|
| 1. GENERAL | 2 | C. Housing Removal | 10 |
| 2. IDENTIFICATION | 2 | 4. CONNECTIONS | 11 |
| A. Design Features | 3 | 5. OPERATION | 12 |
| B. Optional Features | 3 | A. Record A Number Into Memory | 12 |
| C. Ordering Guide | 4 | B. Change A Number In Memory | 14 |
| D. Operating Features | 4 | C. Delete A Number From Memory | 14 |
| 3. INSTALLATION | 5 | D. Automatically Dial A Number From Memory | 14 |
| STANDARD INSTALLATION | 5 | E. LAST NUMBER DIALED Feature | 14 |
| A. Installation Check Procedure | 6 | F. End-to-End Signaling | 14 |
| 870B1M (Rotary Service) Dial | 6 | 6. MAINTENANCE | 15 |
| 2870B1M (TOUCH-TONE® Service) Dial | 7 | A. Trouble Analysis | 15 |
| OPTIONAL APPARATUS INSTALLATION | 8 | B. Battery | 15 |
| A. D-180493 Kit of Parts (Dial Tone Detector) | 8 | C. Memory | 15 |
| B. D-180818 Kit of Parts (Record Disable and Dial Intermix Feature) | 8 | D. Rotary Dial | 16 |
| COMPONENT LOCATION AND ACCESS INFORMATION | 9 | E. TOUCH-TONE Dial | 16 |
| A. Power Supply Board (PSB), Terminals | 9 | F. Line Sensing Relay Printed Wiring Board Assembly | 17 |
| B. Faceplate Removal | 10 | G. Faceplate (Conversion From A2- to B1-Type) | 18 |
| | | H. Jack (Mounting and/or Interface Cord) | 18 |

NOTICE

Not for use or disclosure outside the
Bell System except under written agreement

| | CONTENTS | PAGE |
|----|---------------------------------|------|
| I. | Dial Pulse Muting | 19 |
| J. | D-180837 Kit of Parts | 19 |

1. GENERAL

1.01 This section contains information on the 870B1M (rotary service) and the 2870B1M (TOUCH-TONE® service) dials Fig. 1.

1.02 This section is reissued to:

- Add D-180837 Kit of Parts
- Add Fig. 5
- Revise Fig. 9, 10, 11, 12, and 13
- Revise Table B

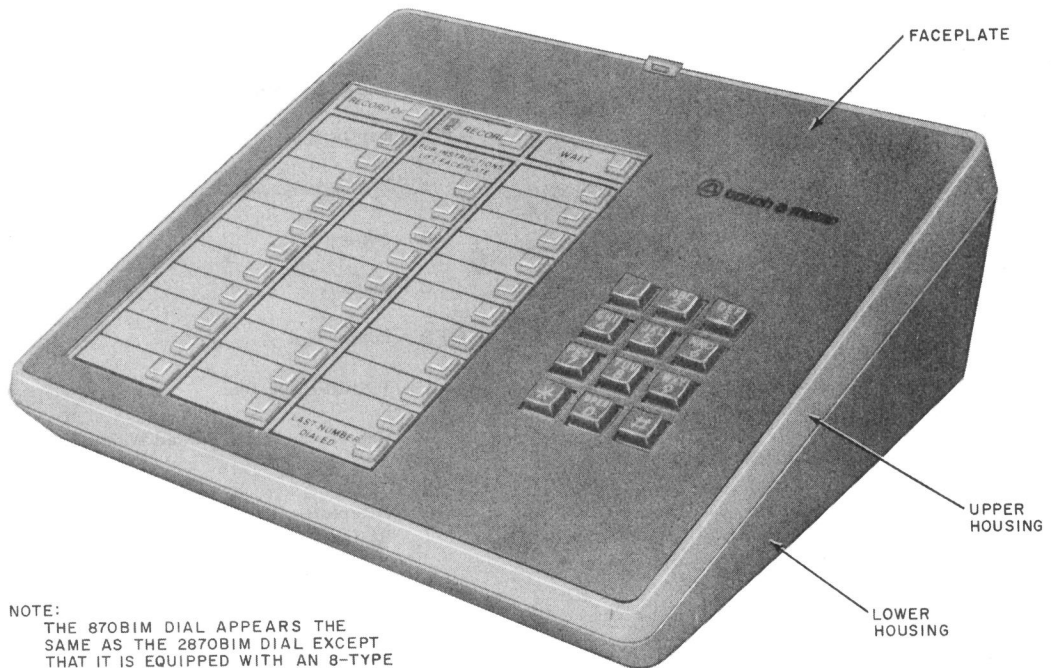
- Add safety information on the 95B-type power unit.

1.03 These dials are factory-wired to provide manual or automatic rotary (870B1M) or TOUCH-TONE (2870B1M) dialing service when interfaced with miniature plug and jack equipped single line telephone sets and connecting blocks. All other applications should use the 870A1 and 2870A1 dials. Single line installation with speakerphone service and the one touch calling option should also use the 870A1 and 2870A1 dials.

1.04 These dials are available in Ivory (-50) color only, except as indicated in paragraph 2.05(e).

2. IDENTIFICATION

2.01 These dials provide manual dialing, plus automatic dialing of 31 frequently called numbers, and a LAST NUMBER DIALED scratch pad memory.



NOTE:
THE 870B1M DIAL APPEARS THE SAME AS THE 2870B1M DIAL EXCEPT THAT IT IS EQUIPPED WITH AN 8-TYPE ROTARY DIAL

Fig. 1—2870B1M Dial

A. Design Features**2.02 Design Features:**

- Modular unit
- Integrated circuit memory
- Memory buttons from which to select preprogrammed telephone numbers for automatic dialing
- Capability to record and automatically dial 31 telephone numbers of up to 15 digits each
- Last number manually dialed memory
- Capability to detect when associated telephone set is off-hook
- Plug-in battery
- Capability to pause for subsequent dial tones during automatic dialing (WAIT input).

B. Optional Features**2.03 Optional Features:**

- Decorative Faceplate.
- Dial Tone Detector: automatically starts dialer when precise TOUCH-TONE dial tone (350 Hz and 440 Hz) is present.
- D-180818 Kit of Parts provides the following features.
 - (a) Record Disable: turns off recording feature to prevent accidental erasures of previously stored numbers. No recording possible except for LAST NUMBER DIALED memory which will store digits manually dialed from adjunct dial.
 - (b) Record Disable and Dial Intermix Feature: digits dialed manually from adjunct dial and digits dialed automatically from memory may be intermixed without depressing RECORD OFF button. Memories cannot be altered and LAST NUMBER DIALED feature is inoperative.

- D-180837 Kit of Parts (a low-level security key-lock switch located in the rear of the lower housing) provides the following features.

Note: Normally installed at the service center and not recommended for field installation.

Note: Adjunct dial must be equipped with either an 870B (rotary service) or 2870B (TOUCH-TONE service) memory.

Note: The 2870B1M dial must be equipped with a 4228-type network.

- (a) Record Disable Only - turns off recording to prevent accidental erasures of previously stored numbers. No recording possible except for Last Number Dialed memory which will automatically store digits dialed manually from the adjunct dial.
- (b) Record Disable and Dial Intermix - same as record disable feature plus.
 - (1) Allow digits dialed with manual dial and from memory to be intermixed without having to depress the RECORD OFF button.
 - (2) Disables the LAST NUMBER DIALED feature.
 - (3) Last Number Dialed position functions like the other memories.
- (c) Record Disable and Manual Dial Lock-out.
 - (1) Turns off record feature.
 - (2) Manual dial electrically inoperative.
 - (3) Last Number Dialed position can be utilized just like the other memory positions to store frequently dialed numbers.⚡

2.04 All options are implemented by:

- Wiring changes in the applicable dial
- Wiring changes in the telephone set to which the dial is an adjunct
- Installation of appropriate additional items.

C. Ordering Guide**2.05 Ordering Guide:**

- (a) Either of these dials may be ordered as complete units:
- Dial, 870B1M-50 (Rotary Service)
 - Dial, 2870B1M-50 (TOUCH-TONE Service).
- (b) D4BU-29 mounting cords (2) must be ordered separately.
- (c) The 870B1M-50 dial is comprised of the following component parts:
- 841365505 Housing, lower, (Ivory)
 - Housing, upper, 870A1U-50
 - Faceplate, 870B1-122 (Matte Aluminum)
 - 841387574 Base, Dial, (includes the following):
 - Unit, Power, 95B1
 - Dial, 8EA-119
 - 841382880 Line Sensing Printed Wiring Board Assembly
 - Jack, 623P4 (2)
 - Cord, Power, M2SL-87
 - Battery, KS-20390L4
 - Memory, 870B
 - 841382617 Power Supply Printed Wiring Board (PSB) Assembly
 - 840393672 Directory Sheet Set
 - Booklet, Instruction, Subscriber, SIB-2481B.
- (d) The 2870B1M-50 dial is comprised of the following component parts:
- 841365505 Housing, (Ivory)
 - Housing, upper, 870A1U-50

- Faceplate, 2870B1-122 (Matte Aluminum)
- 841387566, Base, Dial, (includes the following):
 - Unit, Power, 95B1
 - Dial, 35AG3A
 - Line Sensing Printed Wiring Board Assembly, 841382880
 - Jack, 623P4 (2)
 - Cord, Power, M2SL-87
 - Battery, KS-20390L4
 - Memory, 2870B
 - 841382385 Power Supply Printed Wiring Board (PSB) Assembly
 - 840393672 Directory Sheet Set
 - Booklet, Instruction, Subscriber, SIB-2481B.

(e) Optional Apparatus (order as required):

- Kit of Parts, D-180818 (Record Disable and Dial Intermix Feature)
- Kit of Parts, D-180493 (Dial Tone Detector)
- Housing, 870ADJ1-* (See Note)
- Housing, 870A1U-*
- Faceplate, 870B1-† or 2870B1-†.

Note: Nonmodular 870ADJ1-type housing must be modified with 798A tool (Fig. 8).

D. Operating Features**2.06 Operating Features (Fig. 2).**

- Dial.

* Color suffix as follows: Black (-03), Green (-51), White (-58), and Light Beige (-60).

† Color suffix as follows: Teak Woodgrain (108) and Walnut Woodgrain (109).

- 32-button array of low force, low travel nonlocking memory buttons arranged in three columns. Left and right columns have eleven buttons, center column has ten buttons.
- LAST NUMBER DIALED button located in lower right corner of memory array, when momentarily depressed, automatically redials the last number manually dialed on the adjunct dial.
- RECORD button (nonlocking), when momentarily depressed, lights the RECORD lamp and enables the memory circuits to store telephone numbers.
- RECORD OFF button (nonlocking), when momentarily depressed extinguishes the RECORD lamp, indicating that the dialer is switched out of the record mode.
- WAIT button (nonlocking), when momentarily depressed during recording operation, enters a code into memory to initiate a halt in the automatic dialing sequence [used where access digit(s) required].
- Additional dial pulse muting (optional) paragraph 6.10.

3. INSTALLATION

STANDARD INSTALLATION

3.01 Connect a D4BU-29 mounting cord between the connecting block and the jack in the adjunct dial identified LINE. Connect a second D4BU-29 mounting cord between the jack in the adjunct dial identified SET and the telephone set. Refer to Fig. 9 for basic interface connections.

Caution: *Do not plug in either battery or power unit until all connections and modifications are completed. Take extreme care not to damage the exposed components, circuit, etc. when the adjunct dial is opened.*

3.02 The dials are shipped from the factory with the battery disconnected. After all wiring changes and modifications have been completed, connect the battery by tilting the adjunct dial up and inserting the battery plug into the mating jack.

Note: Write date of battery installation on label provided (Fig. 6).

3.03 Plug the power unit into an ac outlet not controlled by a switch (continuous ac power is required). A retaining clamp (841050818) will be shipped with the 95B-type power unit and should be mounted to the ac receptacle to hold power unit securely and prevent accidental loss of power.

Note: The power unit must be located no closer than 1-1/2 feet from the dial in order to prevent a potential noise condition.

DANGER: *For safety, securely attach retaining clamp to ac outlet using outlet cover screw BEFORE attempting to install 95B-type power unit. The power unit and any other cord plugged into the ac outlet should always be unplugged completely from the outlet BEFORE attempting to attach or remove the retaining clamp. This will prevent the possibility of a loosened retaining clamp or metallic outlet cover making contact with the ac prongs of the power unit when partially withdrawn from outlet. Do not use retaining clamps on outlets where the cover mounting screw holds the duplex outlet in the box.*

Warning: *Care should be taken to trim and dress leads connecting to low voltage output terminals of 95B-type power unit to assure that inadvertent connection to conducting surfaces or other power source does not occur. If more than one power unit is plugged into a multiple receptacle power strip, there must be at least one inch separation between power units. Only UL listed receptacle power strips with adequate power rating shall be used. Use of a continuous terminal power strip that allows the secondary output terminals of the power unit to be in close proximity to the ac line source is not recommended.*

3.04 Station number card may be placed in the location provided on the dial (870B1M) or below the dial (2870B1M).

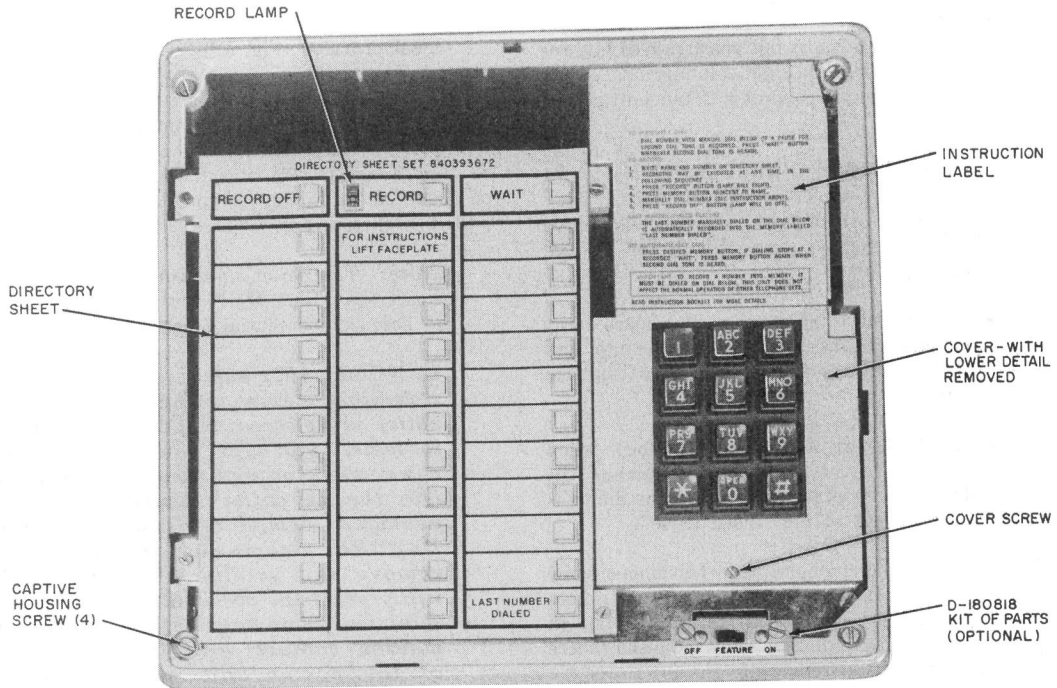


Fig. 2—2870B1M Dial, Faceplate Removed

3.05 Directory sheets (Fig. 2) are held in place by the faceplate. Additional sheets are available in directory sheet set, 840393672.

A. Installation Check Procedure

870B1M Dial

3.06 870B1M (Rotary Service) Dial.

- (1) Check operation of the line sensing circuit as follows.
 - (a) With handset on-hook, momentarily depress RECORD button. RECORD lamp shall light.
 - (b) Go off-hook with handset. RECORD lamp shall extinguish.

(2) Using the dial on the telephone set, manually dial a known number to check that the telephone set operates correctly.

(3) For the adjunct dial, perform dial speed test as follows.

- (a) Obtain dial tone.
- (b) Dial code number for dial speed test.
- (c) After dial tone is heard again, manually dial digit 0. One of the following audible signals will indicate how the dial meets the requirements of the test:
 - Audible ringback-dial speed satisfactory
 - Rapidly interrupted dial tone—dial speed fast

- Slowly interrupted dial tone—dial speed slow.
- (4) With the telephone handset on-hook, use the dial on the adjunct to record known telephone numbers, storing consecutive digits of the numbers in sequential memory locations except LAST NUMBER DIALED and the location immediately above it [paragraph 5.01 (4) through (7)].
 - (5) Automatically dial the telephone numbers stored in Step (4) by momentarily depressing the memory buttons in the same sequence in which the digits were recorded. Verify that the digits thus dialed produce the expected telephone numbers.
 - (6) Go off-hook and use the dial on the adjunct to record a known telephone number into memory location immediately above LAST NUMBER DIALED location [paragraph 5.01 (4) through (7)].
 - (7) Momentarily hang up handset and then automatically dial the number recorded in Step (6).
 - (8) Go off-hook and from the adjunct, manually dial a known telephone number.

Note: If a pause for second dial tone is required, dial the access digits. After the RECORD lamp relights, depress the WAIT button then dial the telephone number.

- (9) Momentarily hang up handset and then automatically redial the number [dialed in Step (8)] by depressing the LAST NUMBER DIALED button.

Note: The dial should stop dialing if it reaches a stored WAIT input. Depress the LAST NUMBER DIALED button again and the remaining digits should be dialed.



The battery and power unit must be connected a minimum of five minutes before doing Step 10.

- (10) Momentarily disconnect the power unit (for 5 to 10 seconds). After reconnecting power unit, momentarily depress memory buttons

in same sequence in which digits were recorded in Step (4). Verify that the correct telephone numbers are dialed out.

- (11) Dial the appropriate code for ring-back to test the telephone set ringer.

2870B1M Dial

3.07 2870B1M (TOUCH-TONE Service) Dial.

- (1) Check operation of the line sensing circuit as follows.
 - (a) With the telephone handset on-hook momentarily depress the RECORD button. RECORD lamp should light.
 - (b) Go off-hook with handset. RECORD lamp should extinguish.
- (2) Using the dial on the telephone set, manually dial a known number to check that the telephone set operates correctly.
- (3) With the telephone handset on-hook, use the dial on the adjunct to record digits 1 through 0 in consecutive memory locations, storing one digit per memory. Fill all memory locations except LAST NUMBER DIALED and the memory location immediately above it [paragraph 5.01 (4) through (7)].
- (4) Lift handset off-hook and record CO dial test and ringer circuit number into memory location immediately above LAST NUMBER DIALED location [paragraph 5.01 (4) through (7)]. After depressing RECORD OFF button, and when dial test circuit is ready, test dial frequencies by manually dialing digits 1 through 0 into the test circuit.
- (5) Momentarily hang up handset and then automatically redial the test circuit number recorded in Step (4) by depressing button immediately above LAST NUMBER DIALED button and proceed as follows:
 - (a) Depress LAST NUMBER DIALED button. Digits 1 through 0 will be automatically dialed into test circuit. Verify that correct signal is returned from test circuit.

- (b) Momentarily depress the memory buttons used in Step (3) in the same sequence in which the digits were recorded. Verify that the correct signal is returned from the test circuit.



The battery and power unit must be connected a minimum of five minutes before doing Step (C).

- (c) Disconnect the power unit from the ac outlet. With the handset off-hook and using the telephone set dial, manually dial a known number to check that the telephone set operates correctly.

Note: With ac power removed, the adjunct dial is inoperative.

- (6) Reconnect the power unit. Momentarily depress the LAST NUMBER DIALED button. Verify that the number dialed out is the same as that recorded in Step (4).

OPTIONAL APPARATUS INSTALLATION

A. D-180493 Kit of Parts (Dial Tone Detector)

3.08 To install.

- (1) Remove the housing (paragraph 3.13), and access PSB terminal field (paragraph 3.10).
- (2) Insert the dial tone detector board assembly from the back of the dial, so that the two tabs on the board assembly fit into the slots in the chassis (Fig. 3).
- (3) Insert the self-threading screw through the side of the chassis to secure the board in position.
- (4) Connect the dial tone detector as shown in Table B.

B. D-180818 Kit of Parts (Record Disable and Dial Intermix Feature)

3.09 To install.

- (1) Remove faceplate (paragraph 3.11 or 3.12).

- (2) Loosen the captive screw at the bottom of the cover around the dial and remove the cover.

- (3) Disengage dial from chassis (paragraph 6.05 or 6.06).

- (4) Loosen the four captive memory mounting screws (Fig. 3).

- (5) Rotate the left edge of the memory upward as shown in (Fig. 4).

Note: If existing memory is 870A or 2870A, it must be replaced with 870B or 2870B, respectively. Carefully pack and return old memory according to local procedures.

- (6) Mount switch below dial with the two screws provided.

- (7) Connect switch lead connectors to post terminals on memory board per Table C.

- (8) Set feature switch to OFF position and verify that dial operates in normal manner.

- Numbers can be recorded into memory

- Numbers can be automatically dialed.

- (9) Set feature switch to ON position and verify feature provided.

- Record disable feature only.

- (a) RECORD lamp will not light when button is depressed.

- (b) No telephone numbers can be recorded in memory.

- (c) LAST NUMBER DIALED feature is still operative.

- Record disable and dial intermix feature.

- (a) RECORD lamp will not light when RECORD button is depressed.

- (b) No telephone numbers can be recorded in memory.

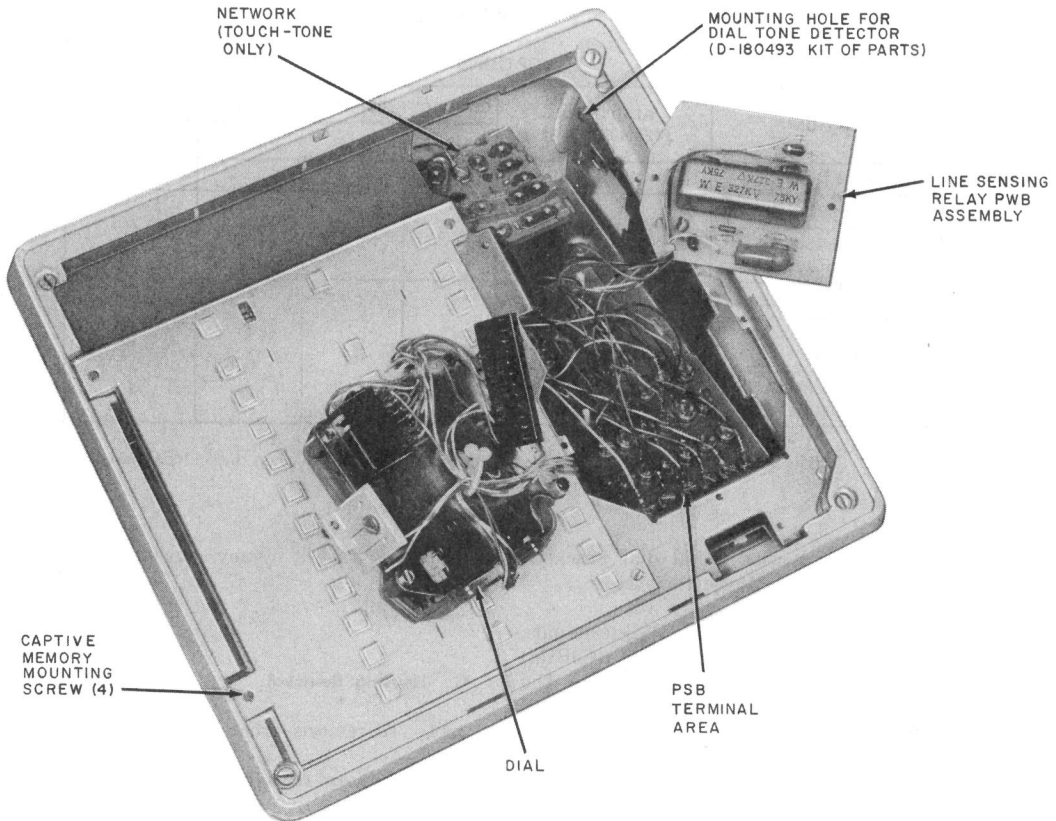


Fig. 3—2870B1M Dial, View to Show Terminal Area

(c) Manually and automatically dialed digits may be intermixed (depression of RECORD OFF button not required).

(d) LAST NUMBER DIALED feature is disabled and the LAST NUMBER DIALED position can be utilized just like the other memory positions to store frequently dialed numbers.

(10) Reassemble adjunct dial.

COMPONENT LOCATION AND ACCESS INFORMATION

Warning: When it is necessary to access component parts of terminal areas, ac power must be disconnected.

A. Power Supply Board (PSB), Terminals

3.10 To access the terminal field on the power supply board, proceed as follows.

- (1) Disconnect power unit from ac outlet.
- (2) Remove the faceplate (paragraph 3.11 or 3.12).
- (3) Loosen the captive cover screw at the bottom of the cover around the dial (Fig. 2).
- (4) Remove the cover.
- (5) Loosen the two captive dial mounting screws.

◆ TABLE A ◆

OPTIONS

| OPTION | ADDITIONAL ITEMS REQUIRED | CONNECT 870BIM PER | | CONNECT 2870BIM PER | |
|-----------------------------------------|---------------------------------|--------------------|-------|---------------------|-------|
| | | FIG. | TABLE | FIG. | TABLE |
| Dial Tone Detector | D-180493 Kit of Parts | 10B, F | B | 12 B, H | B |
| Record Disable Only | D-180818 Kit of Parts (Note) | 5 | C | 5 | C |
| Record Disable and Dial Intermix | | | | | |
| Record Disable Only | D-180837 Kit of Parts (Note) | | D | | E |
| Record Disable and Dial Intermix | | | | | |
| Record Disable and Manual Dial Lock-out | | | | | |

Note: Adjunct dial must be equipped with an 870B or 2870B memory when these kits are used.

Note: On units with metal dial brackets, the screws will have to be removed.

(6) To gain access to some of the PSB terminals, either place the 8-type dial aside (870B1M) or carefully disengage the connector of the 35-type dial and rotate the dial onto the memory button field (2870B1M).

(7) Remove the two mounting screws for the Line Sensing Relay Board and place the board assembly aside to access the remaining terminals on the PSB.

(8) To reassemble, reverse this procedure.

B. Faceplate Removal

3.11 The B1-type faceplate is held in place by a spring clip attached to the 870A1U upper housing. To disengage the faceplate, lift up on the tab which protrudes from the center of the back edge of the faceplate.

Note: The B1-type faceplate is not a direct replacement for the A2-type faceplate described below. An 870A1U upper housing is also required (paragraph 6.08).

3.12 The 870A2-87 and 2870A2-87 faceplates are MD. For those adjunct dials equipped with either faceplate, it is held in place by two snaps bonded to fit holes in the chassis. To remove the

faceplate, grasp it by any convenient edge and lift off.

C. Housing Removal

3.13 To remove, proceed as follows.

(a) Lower Housings.

- (1) Disconnect the power unit from ac outlet.
- (2) Remove the faceplate (paragraph 3.11 or 3.12).
- (3) Disengage the captive housing screws (Fig. 2) one located in each of the four corners of the chassis.
- (4) Separate the housing from the adjunct dial base while feeding the two cords through holes in bottom of housing.
- (5) Before replacing the housing, lift the adjunct dial to check that the shoulders of the battery jack are against the two tabs of the chassis. Misalignment may cause the bottom of the housing to bow.

(b) Upper Housings.

- (1) Disconnect the power unit from ac outlet.

TABLE B

CONNECTIONS FOR DIAL TONE DETECTOR ‡

| APPARATUS | | LEAD | | 870B1M DIAL | | 2870B1M DIAL | |
|--------------------------------------|---------------------------|------------------------------|-------|-----------------|----------------------|-----------------|----------------------|
| | | DESIG | COLOR | REMOVE FROM PSB | CONNECT TO PSB TERM. | REMOVE FROM PSB | CONNECT TO PSB TERM. |
| 870B1M or 2870B1M Dial Adjunct | | Strap | BK | 11 | * | 19 | * |
| | | Strap | BK | 23 | * | 26 | * |
| D-180493 Kit of Parts | Dial Tone Dectector | Input | G-R | | 16 | | 16 |
| | | PB | O-BK | | 7 | | 9 |
| | | Input | G-R | | 2 | | L2† |
| | | DT | O-Y | | 11 | | 19 |
| | | LK | Y-G | | * | | * |
| | | VDD | R-O | | 17 | | 21 |
| | | SPR | Y-BL | | * | | * |
| | | DR | Y-O | | 19 | | 24 |
| | | COM | BK-O | | 20 | | 29 |
| | | SPO | G-Y | | * | | * |
| | | PL | O-R | | 22 | | 25 |
| | DTT | BL-Y | | 23 | | 26 | |
| | Switch | NOT REQUIRED, DO NOT INSTALL | | | | | |

* Insulate and store.

† Terminal on network.

‡ First dial tone may or may not be precise (350 Hz and 440 Hz) but all subsequent dial tones must be precise.

(2) Remove the faceplate (paragraph 3.11 or 3.12).

(3) Disengage the captive housing screws, one located in each of the four corners of the upper housing. This will release the lower housing.

(4) Pull the lower housing away from the chassis as each housing screw is backed out. This will separate the upper housing from the chassis.

Note: If the upper housing is being replaced, it will be necessary to remove housing screws.

(5) To reassemble, reverse procedure.

4. CONNECTIONS

4.01 Basic interface connections are shown in Fig. 9 for the 870B1M dial and the 2870B1M dial.

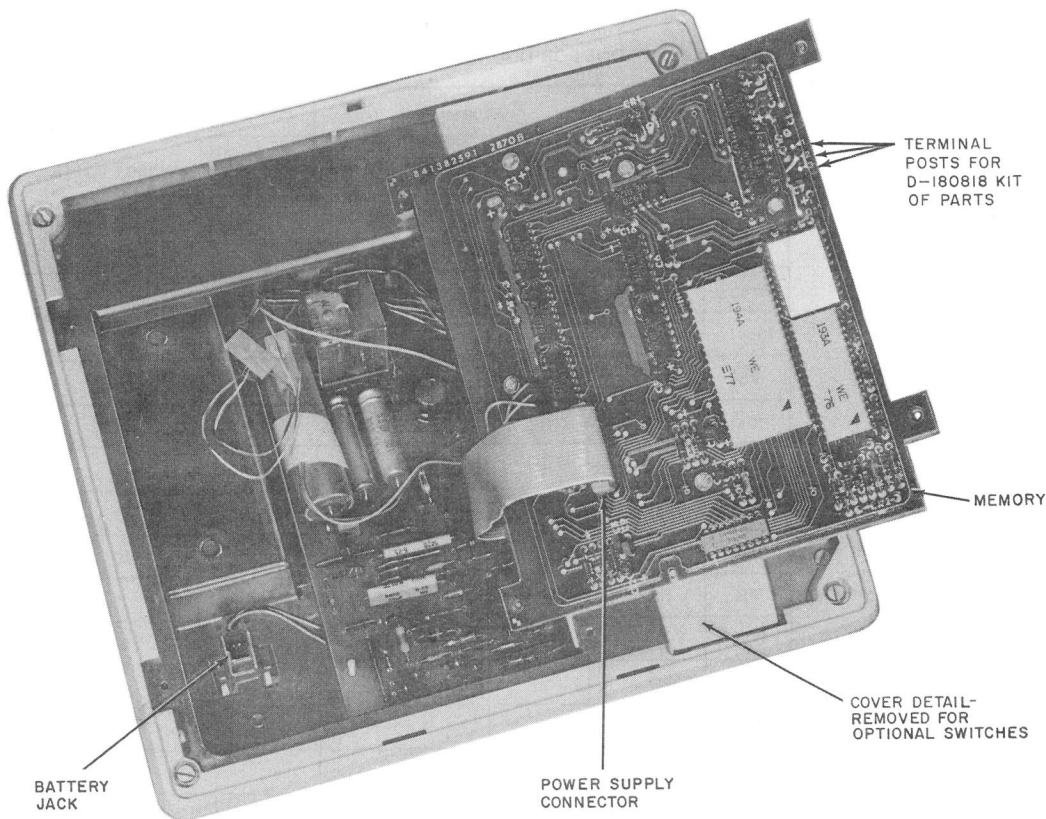


Fig. 4—2870B1M Dial, Internal View

4.02 Adjunct dial connections are shown in Fig. 10 for the 870B1M dial and in Fig. 12 for the 2870B1M dial.

4.03 Partial functional schematics are shown in Fig. 11 for the 870B1M dial and in Fig. 13 for the 2870B1M dial.

4.04 Connections for D-180837 Kit of Parts (record disable, dial intermix, plus disabling manual dial, installed at the service center) are shown in Tables D and E.

5. OPERATION

A. Record A Number Into Memory

5.01 To record, only the dial of the adjunct may be used. Digits manually dialed on the associated telephone set will not be recorded into memory.

- (1) Remove the faceplate (paragraph 3.11 or 3.12).

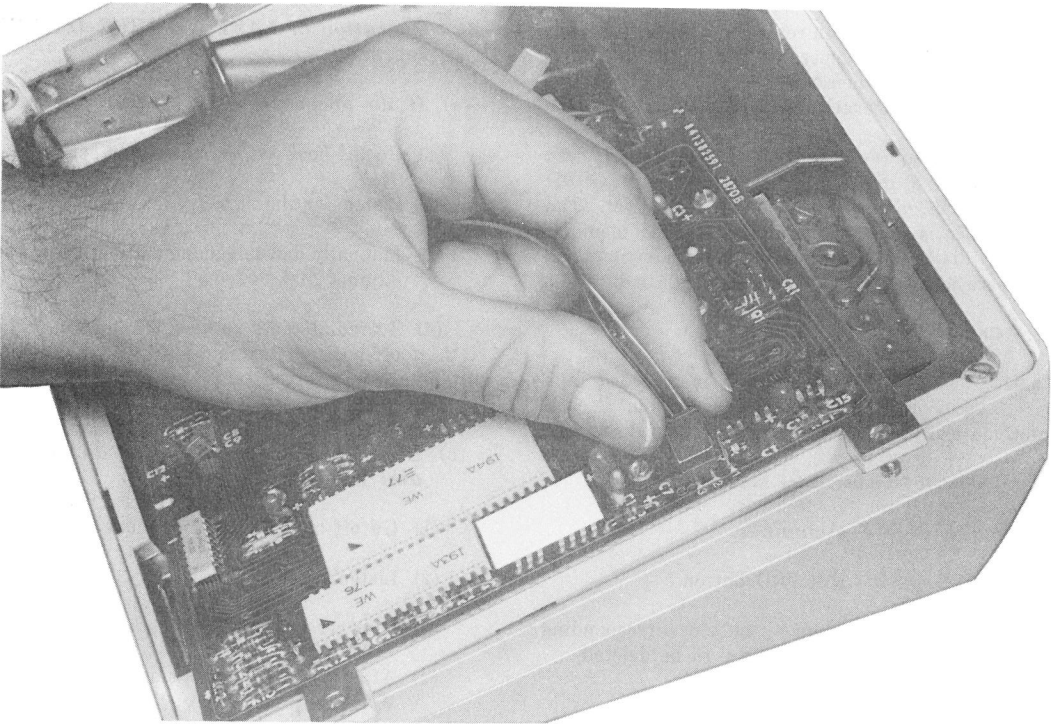


Fig. 5—2870B1M Dial, Connection of D-180818 Kit of Parts (Record Disable Feature Only)

- (2) Write or type the desired name and telephone number for a selected memory button on the associated position of the directory sheet.
- (3) Replace the directory sheet and faceplate.
- (4) Depress the RECORD button. The RECORD lamp will light. (A number can be called and recorded simultaneously by lifting handset before depressing the RECORD button.)

Note: If equipped with the D-180818 or D-180837 Kit of Parts, switch should be placed in the OFF position.

- (5) Depress memory button adjacent to the desired telephone number listed on the directory sheet.

- (6) Using adjunct dial, manually dial the desired telephone number.

Note: If an access code and pause for second dial tone is required.

- (a) Dial the access digit(s).
- (b) Push the WAIT button after RECORD lamp relights. (The WAIT entry counts as one digit.)
- (c) Using the adjunct dial, manually dial the telephone number.

Note: A number up to 15 digits in length may be recorded. The RECORD lamp will go out momentarily as each digit is dialed. If exactly 15 digits are recorded, the RECORD lamp will go out and stay out, indicating that

the dialer has been reset. If a memory button has not been depressed, the RECORD lamp will go out when the first digit is dialed and recording operation will be voided.

- (7) Depress the RECORD OFF button if less than 15 digits are recorded. The RECORD lamp will go out. The dialer will be reset. The number is now stored in the selected memory. The dialer will also be reset by a switchhook operation longer than 300 milliseconds in duration.

B. Change A Number In Memory

5.02 Whenever a new number is recorded in a previously used memory position, it will automatically replace the previously stored number.

C. Delete A Number From Memory

5.03 To delete a number.

- (1) Depress the RECORD button.
- (2) Depress the memory button corresponding to the name and number to be deleted.
- (3) Depress the RECORD OFF button.

D. Automatically Dial A Number From Memory

5.04 To automatically dial a number.

- (1) Go off-hook on the telephone set, listen for dial tone, and depress the desired memory button. If wait input has been recorded, automatic dialing will stop. When second dial tone is heard, depress memory button again to complete automatic dialing.
- (2) If the adjunct dial is equipped with the dial tone detector, go off-hook, listen for dial tone, and depress the memory button.

E. LAST NUMBER DIALED Feature

5.05 The adjunct dial automatically records into the LAST NUMBER DIALED position (Fig. 1) any number called using the dial of the adjunct. Each number in the LAST NUMBER DIALED position is automatically replaced by the next number manually dialed from the adjunct dial. Although the unit is recording, the RECORD lamp does not light at any time during this operation.

5.06 Operation of LAST NUMBER DIALED feature.

(a) If no access digit(s) required.

- (1) Go off-hook on the telephone set.
- (2) Listen for dial tone.
- (3) Manually dial telephone number using the adjunct dial.
- (4) To redial same number automatically, go off-hook on telephone set, listen for dial tone, and depress LAST NUMBER DIALED button.

(b) If an access code and pause for second dial tone is required.

- (1) Go off-hook on the telephone set.
- (2) Listen for dial tone.
- (3) Dial access digit(s) using adjunct dial.
- (4) After second dial tone is heard depress WAIT button.
- (5) Manually dial telephone number using adjunct dial.
- (6) To redial same number automatically, go off-hook, listen for dial tone, and depress LAST NUMBER DIALED button. When second dial tone is heard, depress LAST NUMBER DIALED button again to complete automatic dialing.

F. End-to-End Signaling (2870B1M Only)

5.07 For end-to-end signaling (such as data transmission) this set has the capability to intermix manual and automatic dialing.

(1) Standard Operation:

- (a) If at any time digit(s) are keyed manually using the 2870B1M dial, the RECORD OFF button must be depressed before additional digits can be dialed automatically from memory. (The RECORD lamp will not light at any time but depressing the RECORD OFF button will remove the dial from the LAST NUMBER

DIALED mode to allow additional automatic dialing.)

(2) **Dial Intermix Mode (with D-180818 or D-180837 Kit of Parts).**

(a) Manually and automatically dialed digits may be intermixed as desired when the feature switch is in the ON position.

Note: In this mode, the RECORD button and the LAST NUMBER DIALED feature are inoperative.

6. MAINTENANCE

6.01 In case of power failure, the automatic dialing feature cannot be used. The battery retains the number associated with each of the memory buttons for at least 24 hours. If power loss exceeds 24 hours, the numbers may have to be rerecorded.

A. Trouble Analysis

6.02 When trouble is encountered, the subsequent procedure should be followed.

- (1) Confirm improper operation either as a basic dial or as an automatic dialer (Part 5).
- (2) Check connections.
- (3) Refer to Trouble Analysis Table F for 870B1M dial and Table G for 2870B1M dial.
- (4) If removal of adjunct dial is required proceed as follows.
 - (a) Disconnect power unit from ac outlet and unplug battery.
 - (b) Disconnect adjunct dial.
 - (c) Place battery plug sideways into housing slot below battery jack and tape into place.

Warning: Failure to restrain plug can result in plug damage requiring battery replacement.

B. Battery

6.03 The battery has an expected operational life of about 4 years. It can be replaced without loss of stored numbers provided that commercial ac power to dial is continuously maintained. To replace the battery proceed as follows.

- (1) Tilt the front of the adjunct dial up.
- (2) Unplug the battery.
- (3) Loosen captive screw on the battery support.
- (4) Remove battery support.
- (5) Remove battery.
- (6) Install and check new battery (paragraph 3.06 or 3.07). Write date of installation on battery (Fig. 6).

C. Memory

6.04 The memory may be replaced in the following manner.

- (1) Disconnect power unit from ac outlet and unplug battery.

Note: Removal of the memory or ac and battery power results in loss of stored numbers.

- (2) Remove the faceplate (paragraph 3.11 or 3.12).
- (3) Loosen the four captive memory mounting screws (Fig. 3).
- (4) Rotate the left edge of the memory upward and over dial area as shown in Fig. 4.
- (5) Disengage the connector(s) by pulling on them perpendicular to the printed wiring board.
- (6) Replace the memory by engaging the dial connector (2870B1M only) first. The connector(s) are keyed, one position is filled and should fit over the vacant position in the row of pins. The flat power supply cable should not be twisted.
- (7) Reassemble adjunct dial.

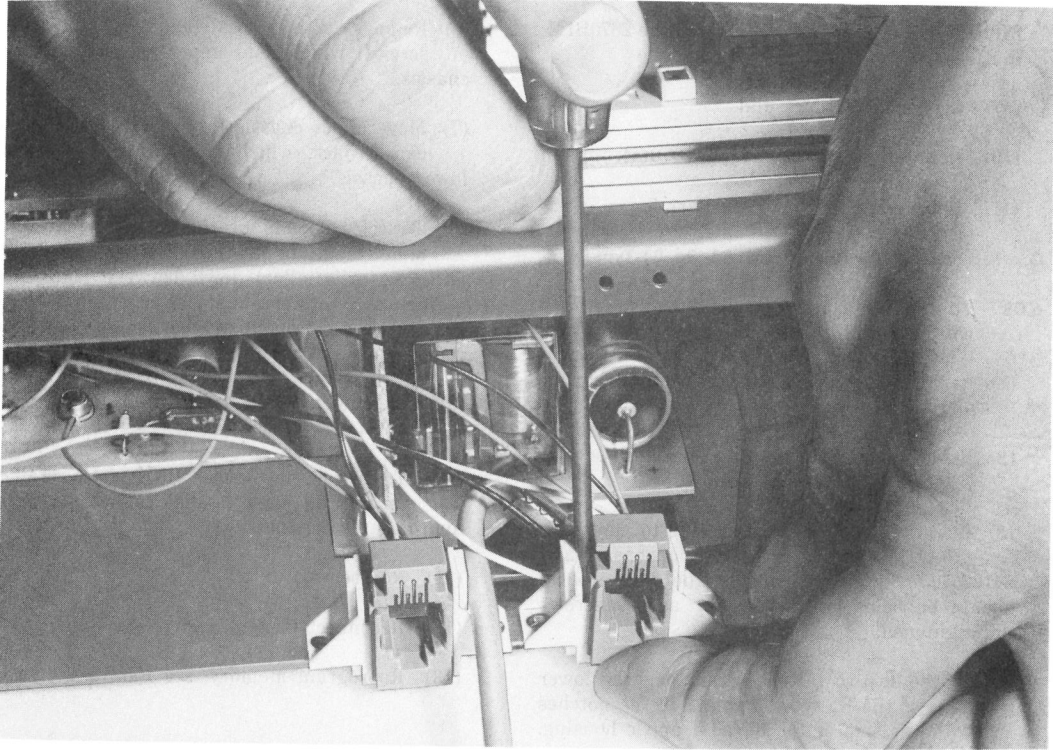


Fig. 7—Removing Mounting Cord Jack or Interface Cord Jack From Dial Base

- (11) Reconnect battery and power unit.
- (12) Reprogram memory, see Part 5.

F. Line Sensing Relay Printed Wiring Board Assembly

6.07 To replace.

- (1) Disconnect power unit from ac outlet and unplug battery.

Note: Removal of ac and battery power results in loss of stored numbers.

- (2) Remove faceplate (paragraph 3.11 or 3.12).
- (3) Loosen captive screw at bottom of the cover around dial and remove cover.

- (4) Remove the two dial mounting screws.

(5) On the 870B1M dial, place the rotary dial aside to gain access to the PSB terminals. On the 2870B1M dial, disengage the dial connector and carefully rotate the TOUCH-TONE service dial onto the memory button field.

- (6) Remove the two mounting screws of the Line Sensing Relay Board.

(7) Disconnect the Line Sensing Relay Board leads from associated terminals on the PSB and remove the board assembly.

- (8) Connect the leads of the replacement Line Sensing Relay Board to the appropriate terminals on the PSB (Fig. 10B and 10C for the

870B1M dial or Fig. 12B and 12C for the 2870B1M dial).

- (9) Reassemble adjunct dial.
- (10) Reconnect battery and power unit.
- (11) Reprogram memory, see Part 5.

G. Faceplate (Conversion From A2- to B1-Type)

6.08 To replace a 870A2 or 2870A2 faceplate with a 870B1 or 2870B1, proceed as follows.

- (1) Remove A2-type faceplate by lifting up on any of its edges.
- (2) Remove the four captive housing screws (Fig. 2) from the chassis.
- (3) Use the four housing screws to mount a 870A1U upper housing to the chassis and 841365505 (lower) housing. The three parts should be held tightly together as the screws are tightened.
- (4) Place the two tabs located along the lower edge of the B1-type faceplate in the notches in the lower side of the 870A1U upper housing.
- (5) Lower the faceplate to rest on the memory. The spring clip located in the center of the top side of the upper housing should retain the faceplate.

H. Jack (Mounting and/or Interface Cord)

6.09 To replace.

- (1) Disconnect power unit from ac outlet and unplug battery.

Note: Removal of ac and battery power results in loss of stored numbers.

- (2) Disconnect mounting cord and interface cord from mating jacks in adjunct dial.
- (3) Remove faceplate (paragraph 3.11 or 3.12).
- (4) Loosen captive screw at bottom of the cover around the dial and remove cover.
- (5) Remove housings (paragraph 3.13).

- (6) Remove 4 screws (located adjacent to housing screws) which hold upper chassis to lower chassis.

- (7) Move upper chassis toward front of unit to expose jack, which is mounted to back of lower chassis.

- (8) To release snap of the retainer, carefully slide blade of a thin-bladed screwdriver (KS-6854 or smaller) down between right side of jack and retainer, (as viewed from front of set), while pushing up on bottom of jack, and remove jack (Fig. 7).

- (9) Disconnect leads from appropriate PSB terminals.

- (10) To install new jack, slip it into retainer until snap engages and connect leads to appropriate terminals.

- (11) Reassemble unit.

- (12) Reconnect battery and power unit.

- (13) Reprogram memory, see Part 5.

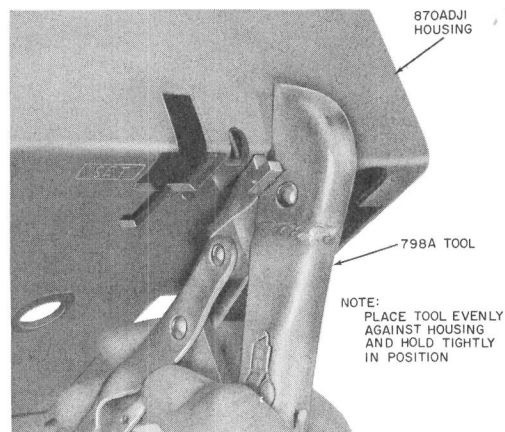


Fig. 8—Notched 870ADJ1 Housing

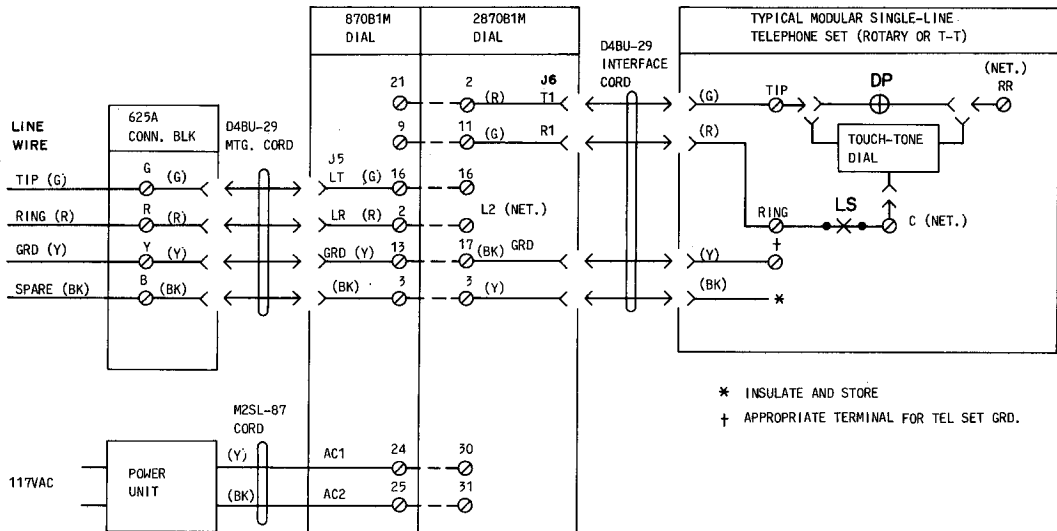


Fig. 9—Basic Interface Connections for 870B1M and 2870B1M Dials

I. Dial Pulse Muting

6.10 Additional dial pulse muting of the handset receiver is available in the 870B1M dial, if the (Y) and (BK) leads in the mounting cord are unused. Proceed as follows.

- (1) Disconnect power unit from ac outlet and unplug battery.

Note: Removal of ac and battery power results in loss of stored numbers.

- (2) Access PSB terminal area (paragraph 3.10).
- (3) Move (Y) interface cord jack lead on 870B1M dial from PSB-3 to PSB-1.
- (4) Move (BK) interface cord jack lead on 870B1M dial from PSB-13 to PSB-8.
- (5) Reassemble adjunct dial.
- (6) Reconnect battery and power unit.
- (7) Reprogram memory, see Part 5.

- (8) Connect (Y) and (BK) mounting cord jack leads on the associated telephone set across the f-g line switch contacts.

Note: If the (Y) and (BK) leads are not available in mounting cord the 870A1 dial should be used to provide the desired muting.

J. Defective Dial Adjunct Which Has a D-180837 Kit of Parts Installed

6.11 To replace a defective dial adjunct which has a D-180837 Kit of Parts installed, it is necessary to move the lower housing of the defective dial to the new dial as follows.

- (1) Disconnect power unit from ac outlet and unplug battery.

Note: Removal of ac and battery power results in loss of stored numbers.

- (2) Remove faceplate (paragraph 3.11).
- (3) Remove the upper housing [paragraph 3.13(b)].

- (4) Remove memory [paragraph 6.04 (3), (4), and (5)] and disconnect switch leads from memory.
- (5) Disconnect (Y) switch lead from chassis.
- (6) Rotary dial only: Disconnect two (G) leads from power supply board.
- (7) TOUCH-TONE dial only: Disconnect (BR) negative switch lead from connector housing in D-kit.
- (8) TOUCH-TONE dial only: Disconnect (BR) negative switch lead from position No. 2 of connector J1.
- (9) Remove lower housing and install on new dial adjunct (see Table D and E).
- (10) Reconnect battery and power unit.
- (11) Test per paragraph 3.06 to 3.07 as required.
- (12) Reprogram memory, see Part 5.

TABLE C

CONNECTIONS FOR D-180818 KIT OF PARTS

| D-KIT SWITCH LEADS | | TERMINAL POSTS FOR SWITCH LEAD CONNECTORS | |
|--------------------|----------------|-------------------------------------------|---------------------------------------------------|
| DESIG | COLOR (Note 1) | RECORD DISABLE ONLY | RECORD DISABLE AND DIAL INTERMIX FEATURE (Note 2) |
| WDC | BK† | * | 1 |
| VDD | R | 2 | 2 |
| RCRD | BK | 3 | 3 |

Notes:

1. There are connectors attached to the switch leads, a single pin connector with a (BK) lead and a double pin connector with a (R) and (BK) lead.
2. When this option is provided, the LAST NUMBER DIALED (LND) feature is disabled and the 32nd memory may be used just as any other memory.

* Insulate and store.

† Single pin connector.

TABLE D
 CONNECTIONS FOR D-180837 KIT OF PARTS
 (870BIM ADJUNCT DIAL)

| FEATURE | LEAD | | CONNECT TO | COMMENTS |
|-----------------------------------------|--------|-------|------------|----------------------------------|
| | DESIG. | COLOR | | |
| Record Disable Only | DP | G | * | Term. Posts on 870B Memory Board |
| | DP | G | * | |
| | VDD | R | TP-2 | |
| | RCD | BK† | TP-3 | |
| | WDC | BK† | * | |
| | GRD | Y | Chassis | |
| | Neg. | BR | * | |
| | Neg. | BR | * | |
| Record Disable and Dial Intermix | DP | G | * | Term. Posts on 870B Memory Board |
| | DP | G | * | |
| | VDD | R | TP-2 | |
| | RCD | BK† | TP-3 | |
| | WDC | BK† | TP-1 | |
| | GRD | Y | Chassis | |
| | Neg. | BR | * | |
| | Neg. | BR | * | |
| Record Disable and Manual Dial Lock-out | DP | G | PSB-4 | Term. Posts on 870B Memory Board |
| | DP | G | PSB-5 | |
| | VDD | R | TP-2 | |
| | RCD | BK† | TP-3 | |
| | WDC | BK† | TP-1 | |
| | GRD | Y | Chassis | |
| | Neg. | BR | * | |
| | Neg. | BR | * | |

* Insulated and stored.

† (BK) leads are interchangeable.

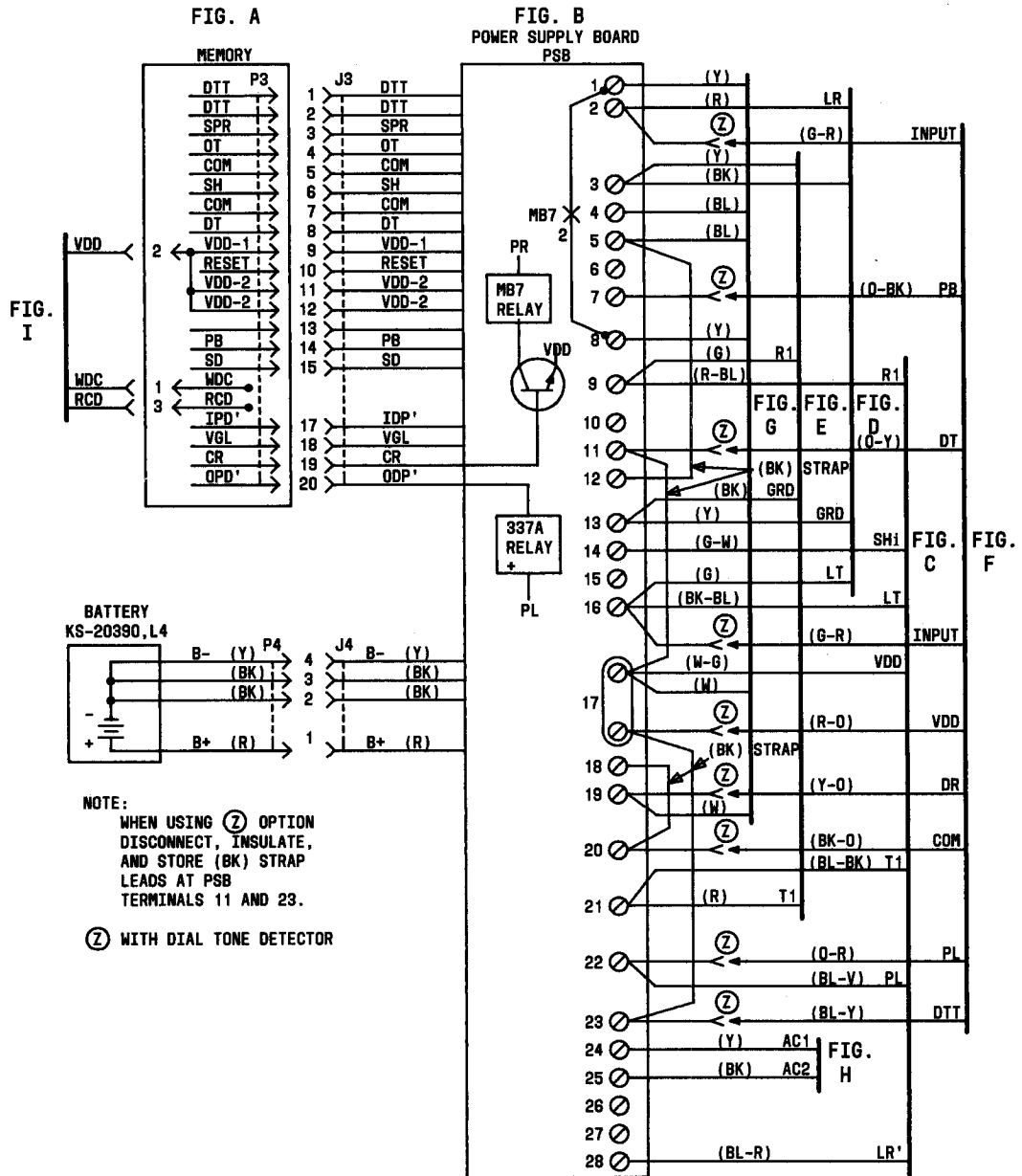


Fig. 10—870B1M Dial, Connections (Sheet 1 of 2)

FIG. C
LINE SENSING RELAY
PMB ASSY 841382880

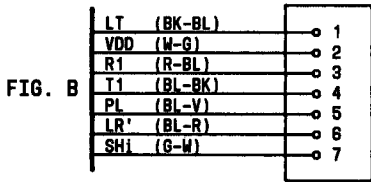


FIG. D

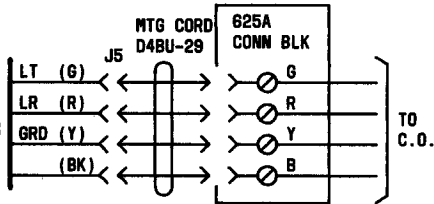
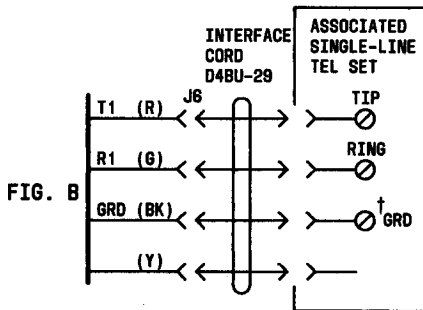


FIG. E



* INSULATE AND STORE
† APPROPRIATE TERMINAL

FIG. F
DIAL TONE DETECTOR
(D-180483)

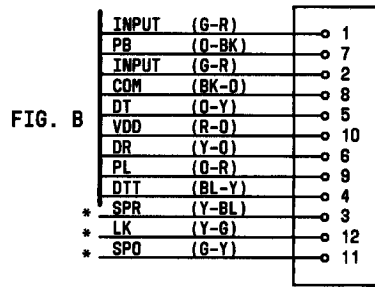
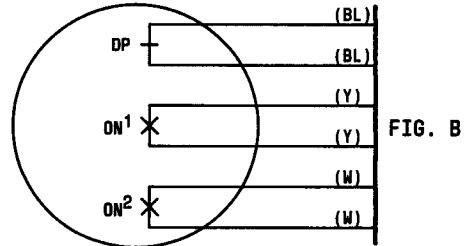


FIG. G
8EA-119 DIAL



DP - DIAL PULSE
ON - OFF NORMAL

FIG. H
POWER UNIT
95B1 OR 95B2

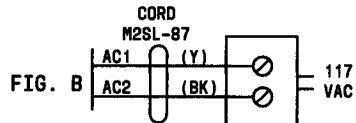


FIG. I
RECORD DISABLE AND DIAL
INTERMIX FEATURE (D-180818)

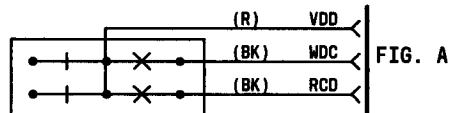


Fig. 10—870B1M Dial, Connections (Sheet 2 of 2)

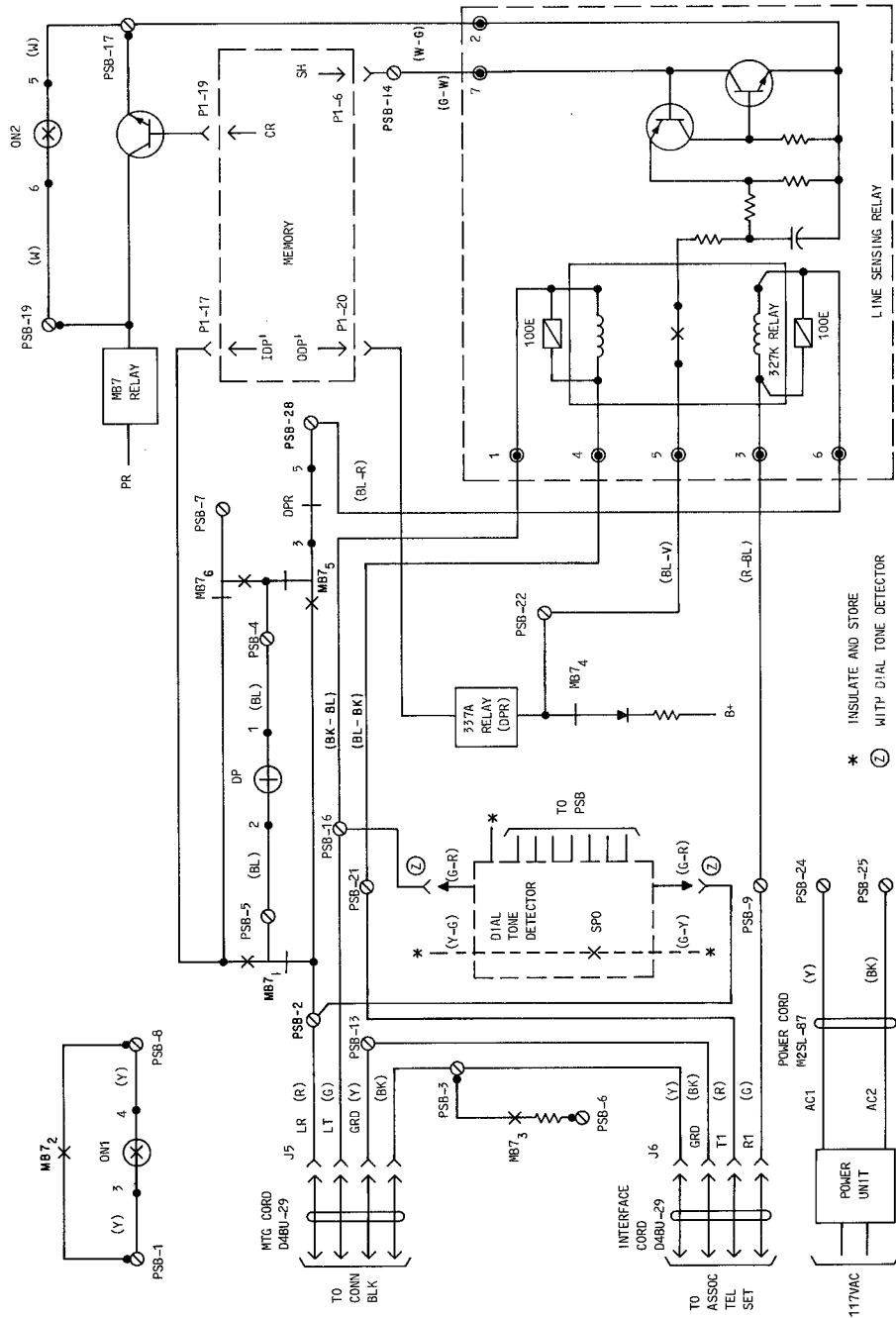


Fig. 11—870B1M Dial, Partial Functional Schematic

TABLE E
 CONNECTIONS FOR D-180837 KIT OF PARTS
 (2870BIM ADJUNCT DIAL)

| FEATURE | APPARATUS | LEAD | | REMOVE FROM | CONNECT TO | COMMENTS |
|-----------------------------------------|-----------------------|--------|-------------|----------------------------|----------------------------|-----------------------------|
| | | DESIG. | COLOR | | | |
| Record Disable Only | D-180837 Kit of Parts | Neg. | BR (Male) | | * | |
| | | Neg. | BR (Female) | | * | |
| | | GRD | Y | | Chassis | |
| | | VDD | R | | TP-2 | Term. Posts on 2870B Memory |
| | | RCD | BK† | | TP-3 | |
| | | WDC | BK† | | * | |
| | | DP | G | | * | |
| | | DP | G | | * | |
| Record Disable and Dial Intermix | D-180837 Kit of Parts | Neg. | BR (Male) | | * | |
| | | Neg. | BR (Female) | | * | |
| | | GRD | Y | | Chassis | |
| | | VDD | R | | TP-2 | Term. Posts on 2870B Memory |
| | | RCD | BK† | | TP-3 | |
| | | WDC | BK† | | TP-1 | |
| | | DP | G | | * | |
| | | DP | G | | * | |
| Record Disable and Manual Dial Lock-out | Dial | Neg. | BR | Position No. 2 on Conn. J1 | Conn. Housing in D-kit | See Note |
| | D-180837 Kit of Parts | Neg. | BR (Male) | | Conn. Housing in D-kit | |
| | | Neg. | BR (Female) | | Position No. 2 in Conn. J1 | |
| | | GRD | Y | | Chassis | |
| | | VDD | R | | TP-2 | Term. Posts on 2870B Memory |
| | | RCD | BK† | | TP-3 | |
| | | WDC | BK† | | TP-1 | |
| | | DP | G | | * | |
| | DP | G | | * | | |

* Insulated and stored.

† (BK) leads are inter changeable.

Note: Connector J1 is the 12-position dial connector. Place pointed object or paper clip in slot No. 2 in the side of the connector housing and push gently to release spring latch while pulling on the (BR) lead.

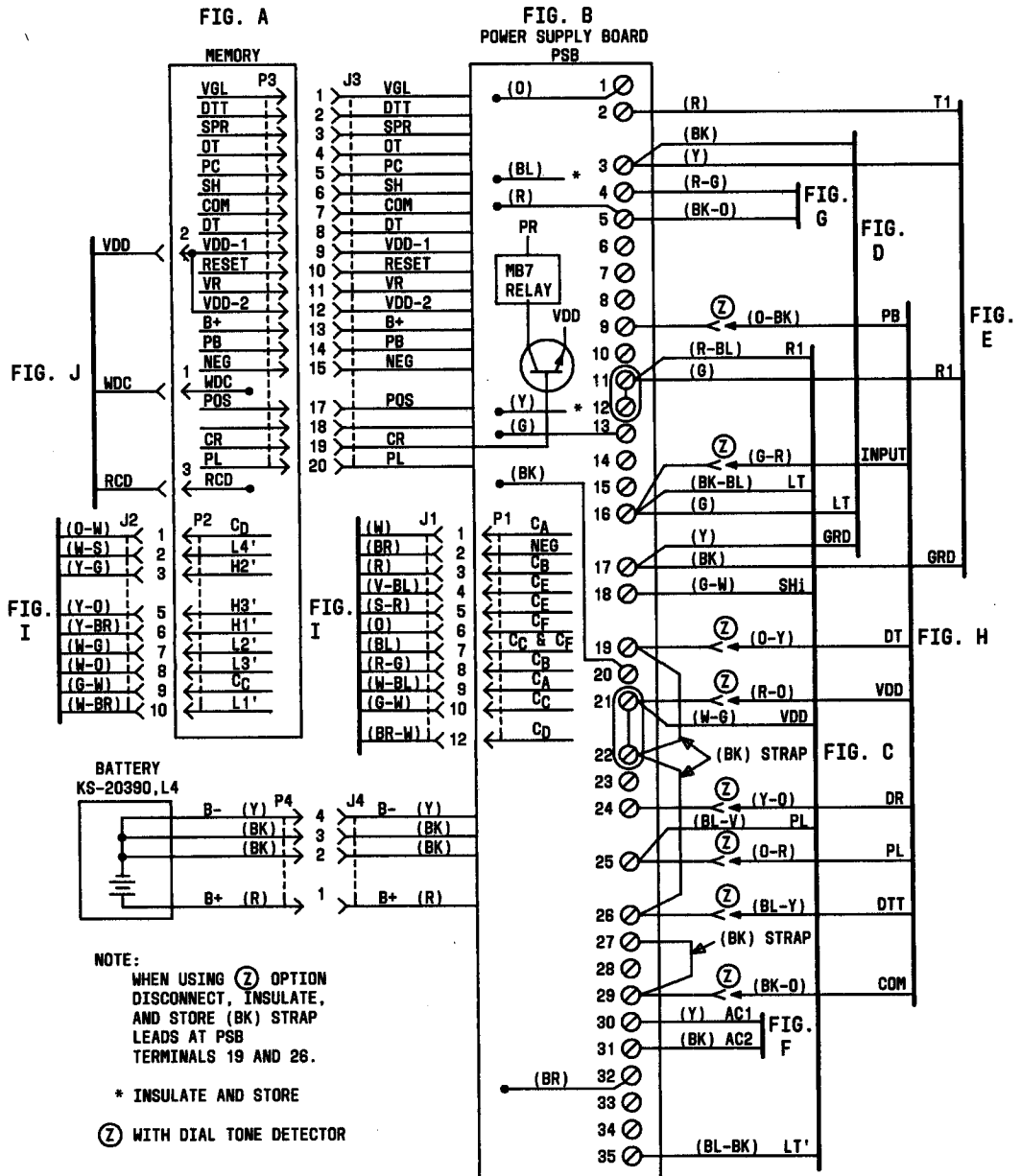


Fig. 12—2870B1M Dial, Connections (Sheet 1 of 2)

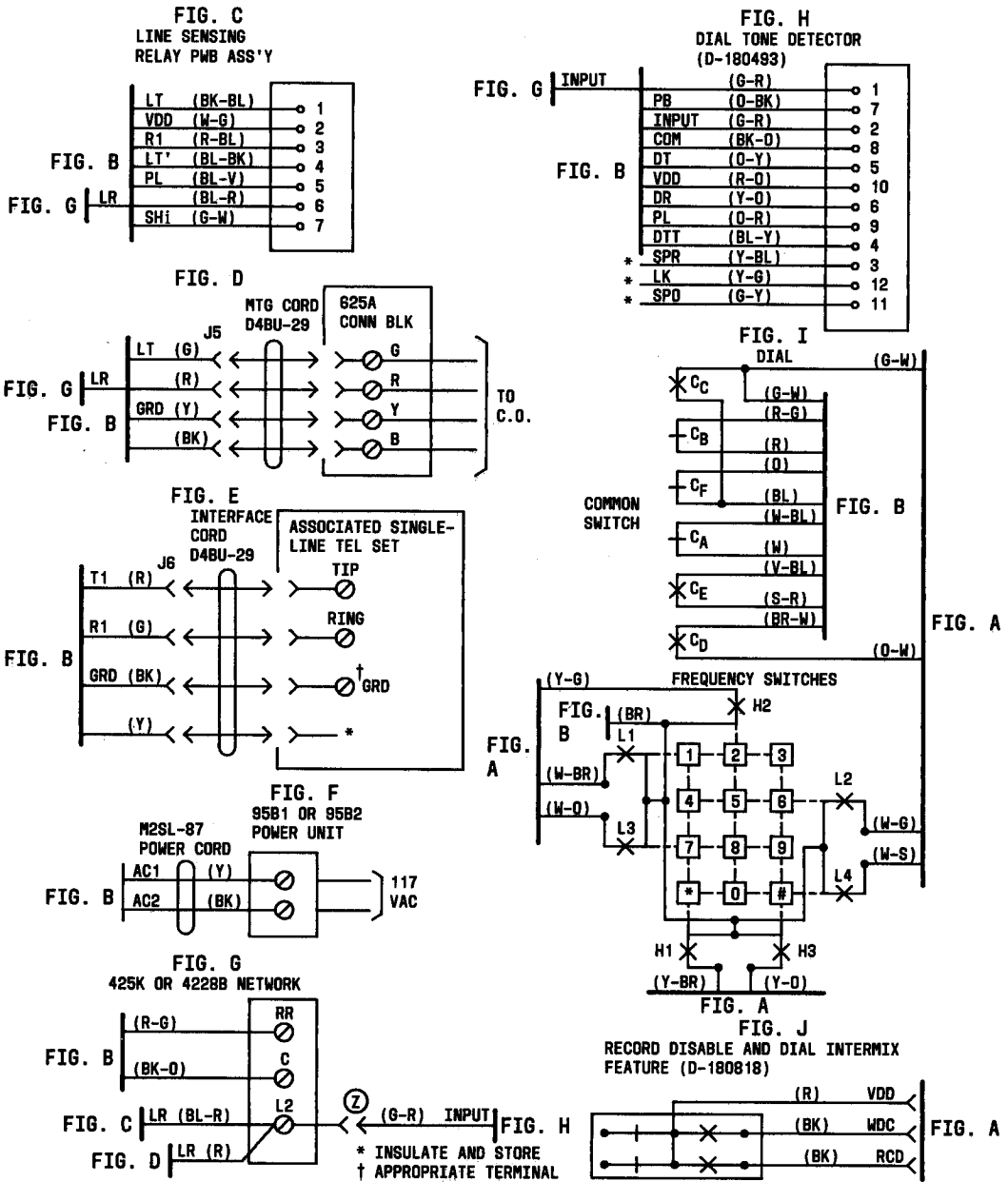


Fig. 12—2870B1M Dial, Connections (Sheet 2 of 2)

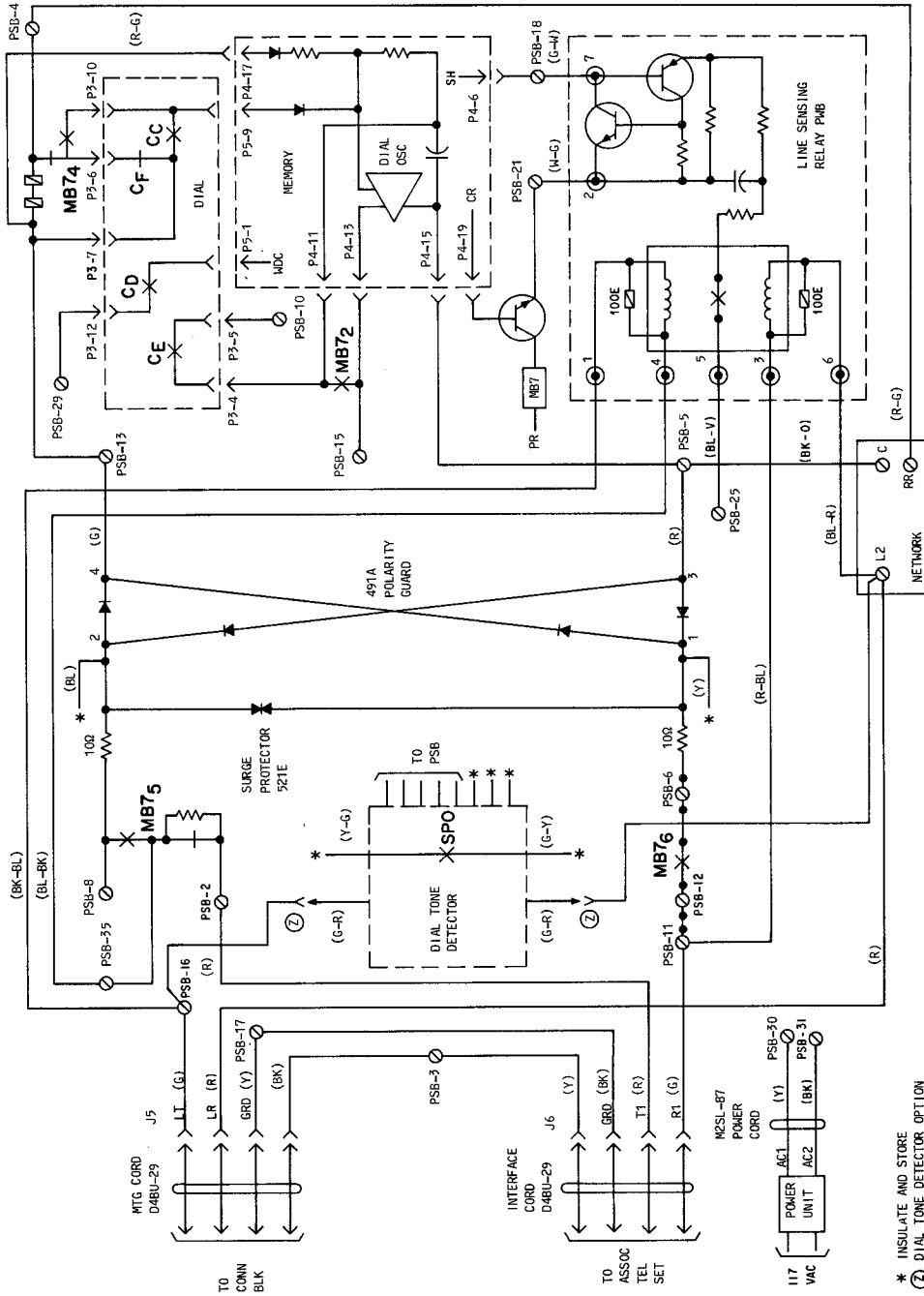


Fig. 13—2870B1M Dial, Partial Functional Schematic

* INSULATE AND STORE
 Ⓢ DIAL TONE DETECTOR OPTION

TABLE F
TROUBLE ANALYSIS -- 870B1M DIAL

| TROUBLE NUMBER | FAILURE | ADDITIONAL SYMPTOM | POSSIBLE CAUSE | REMEDIAL ACTION |
|----------------|------------------------------------------------------------------------------------|--------------------------------------------------------------------------------------------------------|-------------------------------------------------------------------------------------|--------------------------------------------------------------------------------------------------------------------------------------------------|
| 1 | Dead set when off-hook | No dial tone. Cannot transmit or receive when off-hook using handset. | Mounting cord or interface cord improperly connected | Check cord insertions to connecting block, adjunct dial and telephone set |
| | | | Defective lead connections from Line Sensing Relay to terminals on PSB. See Fig. 11 | Check continuity between PSB terminals 9 and 28 and between 16 and 21. (Nominal resistance is 8 ohms.) If open, replace Line Sensing Relay board |
| 2 | Cannot manually dial when off-hook using either telephone set dial or adjunct dial | Cannot break dial tone or cannot hang-up set | Unknown | Replace adjunct dial* |
| | | | Bridged set off-hook | Place bridged set on-hook |
| 3 | Cannot manually dial when off-hook using adjunct dial | When ac power is disconnected cannot dial using set dial but can manually dial using adjunct dial only | Improperly installed or defective Memory | 1. Check connector cable 2. Replace Memory |
| | | | Defective PSB | Replace adjunct dial* |
| | | | Improperly installed or defective rotary dial | 1. Check connections 2. Replace rotary dial |
| | | | Defective PSB | Replace adjunct dial* |
| 4 | RECORD lamp does not function properly | RECORD lamp does not turn on when RECORD button is depressed. | AC power not present | Check for commercial power |
| | | | Battery not connected | Connect battery |
| | | | Power unit not plugged in or defective | Check or replace power unit (should read 13.4 to 18 across screw terminals 24 and 25 on PSB) |
| | | | Defective M2SL-87 cord or improper connections | 1. Check connections and cord 2. Replace cord |

* Refer to 6.02 (4).

TABLE F (Contd)
TROUBLE ANALYSIS - 870B1M DIAL

| TROUBLE NUMBER | FAILURE | ADDITIONAL SYMPTOM | POSSIBLE CAUSE | REMEDIAL ACTION |
|----------------|------------------------------------------------------------------------------------------|----------------------------------------------------|--------------------------------------------------------------------|------------------------------------------------------------|
| 4 (Contd) | | | RECORD OFF, WAIT, or memory button stuck down | Clear stuck button |
| | | | Defective lamp or lamp driver circuit | Replace Memory |
| | | | Switch of D-180818 or D-180837 Kit of Parts in ON position | Change switch position to OFF |
| | | | Unknown | Replace adjunct dial* |
| | | | Defective logic | Replace Memory |
| | | | Unknown | Replace adjunct dial* |
| | | | Improperly connected or defective rotary dial (off-normal contact) | 1. Check rotary dial connections 2. Replace rotary dial |
| | | | Unknown | Replace adjunct dial* |
| | | | Improperly connected or defective Memory | 1. Check connector cable 2. Replace Memory |
| | | | Unknown | Replace adjunct dial* |
| 5 | Cannot record properly into the 31 memory positions or into LAST NUMBER DIALED position. | Lamp turns off as dial is returning and stays off. | Memory button was not depressed prior to the operation of the dial | Record per 5.01 |
| | | | Defective Memory | Replace Memory |
| | | | Unknown | Replace adjunct dial* |
| | | | Defective Memory | Replace Memory |
| | | | Unknown | Replace adjunct dial* |

* Refer to 6.02 (4).

TABLE F (Contd)
TROUBLE ANALYSIS – 870B1M DIAL

| TROUBLE NUMBER | FAILURE | ADDITIONAL SYMPTOM | POSSIBLE CAUSE | REMEDIAL ACTION |
|---------------------------------------------------------------------------------------------------------------------------------------------------------|----------------------------------------|-------------------------------------------------------------------------------------------------------------------------------------------------------------------------------------|-------------------------------------------------------------------------|-------------------------------------------------------|
| 5 (Contd) | | Party is reached when number is recorded as it is manually dialed; however, when number is subsequently dialed from memory, party is not reached—wrong number is dialed from memory | Check recording procedure | Record per 5.01 |
| | | | Switch of D-180818 or D-180837 Kit of Parts in ON position | Change switch position to OFF |
| | | | Defective Memory | Replace Memory |
| 6 | Cannot dial properly from memory | MB7 relay clicks when manual dial is operated, but no automatic dialing possible. RECORD lamp does not light. | Unknown | Replace adjunct dial* |
| | | | Battery not connected | Connect battery |
| | | MB7 relay does not operate (no click heard) when memory button is depressed | Memory not securely mounted. | Tighten Memory mounting screws |
| | | | Improper and/or defective strap from PSB terminal 18 to PSB terminal 20 | Check and/or replace strap lead. See Fig. 10B |
| | | Can dial from memory with temporary strap lead between PSB terminals 14 and 17 | Improper connection to or defective Memory | 1. Check connector cable 2. Replace Memory |
| | | | Improperly installed or defective Line Sensing Relay | 1. Check connections 2. Replace Line Sensing Relay |
| | | | Unknown | Replace adjunct dial* |
| MB7 relay operates (click heard) when memory button is depressed but no dialing clicks are heard. In addition, transmit and receive levels are very low | WAIT button is stuck down or defective | Free stuck WAIT button or replace Memory | | |
| | Unknown | Replace adjunct dial* | | |
| No digits, random digits or all the same digits in memory location(s). Note: memory may or may not have functioned properly at some | AC power outage for 24 hours or longer | Reestablish ac power and rerecord numbers into memory | | |

* Refer to 6.02(4).

TABLE F (Contd)
TROUBLE ANALYSIS – 870B1M DIAL

| TROUBLE NUMBER | FAILURE | ADDITIONAL SYMPTOM | POSSIBLE CAUSE | REMEDIAL ACTION |
|----------------|--------------------------------------------------------------------------------------|---------------------------------------------------------------------------------------------------------------|-----------------------------------|------------------------------------------------------------------------------------------------------------------------------------------------------------|
| 6 (Contd) | | previous time. | Disconnected or defective battery | 1. Plug in the battery |
| | | | | 2. Allow the battery to be charged for a minimum of 5 minutes. Then momentarily remove the power unit from the ac power outlet for 10 seconds and reinsert |
| 7 | Cannot dial properly from memory when off-hook (wired for dial tone detector option) | | Defective Memory | 3. If previously stored numbers are not dialed from memory, replace the battery |
| | | | | 4. Repeat procedure |
| | | | | Replace Memory |
| | | | | Replace adjunct dial* |
| | | | | Tighten Memory mounting screws |
| | | | | Check connection to and/or replace strap to PSB terminal 23 |
| | | | | Replace Memory |
| | | | | Replace adjunct dial* |
| | | | | Connect battery |
| | | | | Make sure precise (350 Hz and 440 Hz) dial tone is present |
| | | Automatically dials through a WAIT after pausing momentarily at the WAIT space on a train of recorded digits | Memory not securely mounted | Tighten Memory mounting screws |
| | | | | Improper connection to PSB terminal 23 |
| | | MB7 relay clicks when manual dial is operated, but no automatic dialing possible. RECORD lamp does not light. | Defective Memory | Replace Memory |
| | | | | Unknown |
| | | MB7 relay does not operate (no click heard) when memory button is depressed | Battery not connected | Connect battery |
| | | | | Precise TOUCH-TONE® dial tone may not be present |
| | | Memory not securely mounted | Memory not securely mounted | Tighten Memory mounting screws |

* Refer to 6.02 (4).

TABLE F (Contd)
TROUBLE ANALYSIS – 870B1M DIAL

| TROUBLE NUMBER | FAILURE | ADDITIONAL SYMPTOM | POSSIBLE CAUSE | REMEDIAL ACTION |
|----------------|---------|-------------------------------------------------------------------------------------------------|------------------------------------------------------|-----------------------------------------------------------------------------|
| 7 (Contd) | | | Improper installation of dial tone detector D-180493 | Check connections for D-180493 installation See Fig. 10B and F and Table B. |
| | | Same as above — Addition of strap lead between PSB terminals 11 and 20 does not correct problem | Improper connection to or defective Memory | 1. Check connector cable 2. Replace Memory |
| | | Addition of strap lead between PSB terminals 11 and 20 corrects problem. | Defective Memory | Replace Memory |
| | | | Defective dial tone detector | Replace D-180493 dial tone detector |
| | | Unknown | | Replace adjunct dial * |

* Refer to 6.02 (4).

TABLE G
TROUBLE ANALYSIS - 2870B1M DIAL

| TROUBLE NUMBER | FAILURE | ADDITIONAL SYMPTOM | POSSIBLE CAUSE | REMEDIAL ACTION |
|----------------|------------------------------------------------------------------------------|------------------------------------------------------------------------------------------------------------|------------------------------------------------------------------------------------------------------------------------------------------------------|---------------------------------------------------------------------------------------------------------------------------------------------------------------------------------------------------------------------------------------------------------|
| 1 | Dead set when off-hook | No dial tone. Cannot transmit or receive when off-hook using handset. | Mounting cord or interface cord improperly connected Defective lead connections from Line Sensing Relay to terminals on PSB. See Fig. 13 | Check cord insertions to connecting block, adjunct dial, and telephone set Check continuity between PSB terminals 16 and 35 and between 11 and network terminal L2 (Nominal resistance is 8 ohms.) If open, replace Line Sensing Relay Board. |
| 2 | Cannot manually dial when off-hook using telephone set dial or adjunct dial. | Clicking sounds or damped TOUCH-TONE signals heard when dial buttons are depressed. Cannot hang up set. | Unknown Bridged set off-hook. | Replace adjunct dial* Place bridged set on-hook. |
| 3 | Cannot manually dial when off-hook and using adjunct dial. | No audible TOUCH-TONE signal present. | 20-pin power supply connector not properly inserted on Memory Dial connectors not properly inserted. Defective Memory. Unknown. | Check connector insertion. 1. Check connector insertion. 2. Replace 35-type dial Replace Memory. Replace adjunct dial* |
| 4 | Cannot manually dial some digits when off-hook using adjunct dial. | | Open or loose leads to dial contacts. Defective frequency contacts on 35-type dial Defective Memory. Unknown. | Check for proper insertion of leads into 10-position dial connector. Replace 35-type dial Replace Memory. Replace adjunct dial* |

* Refer to 6.02 (4).

TABLE G (Contd)
TROUBLE ANALYSIS – 2870BTM DIAL

| TROUBLE NUMBER | FAILURE | ADDITIONAL SYMPTOM | POSSIBLE CAUSE | REMEDIAL ACTION |
|----------------|-----------------------------------------|------------------------------------------------------------------------------------------------------------------------------------|-----------------------------------------------------------------------------------------------------------------------------------------------------------------------------------------------------------------------------------------------------------------------------------------|----------------------------------------------------------------------------------------------------------------------------------------------------------------------------------------------------------------------------------------------------------------------|
| 5 | RECORD lamp does not function properly. | RECORD lamp does not turn on when RECORD button is depressed or RECORD lamp is on and cannot be turned off | Battery not connected, or defective | Connect or replace battery |
| | | RECORD lamp does not turn on when RECORD button is depressed | AC power not present. Power unit not plugged in or defective. Switch of D-180818 or D-180837 Kit of Parts in ON position Defective M2SL-87 cord or improper connections RECORD OFF, WAIT, or Memory button stuck down. Defective lamp or lamp driver circuit Unknown. | Check for commercial power. Check or replace power unit. Should read 13.4 to 18 V ac across screw terminals 30 and 31 on PSE. Change switch position to OFF 1. Check and connections and cord 2. Replace cord. Clear stuck button. Replace Memory. |
| 6 | Cannot record into memory. | Lamp turns off when any memory button is depressed or Lamp does not momentarily turn off when adjunct dial button is depressed. | Unknown Defective logic. Unknown | Replace adjunct dial* Replace Memory. Replace adjunct dial* |
| | | See Trouble No. 5 RECORD lamp momentarily flashes when RECORD button is depressed. | Stuck RECORD OFF button WAIT contacts closed even when WAIT button is not depressed. | Check RECORD OFF button. 1. Check WAIT button. 2. Replace Memory. |

* Refer to 6.02 (4)

TABLE G (Contd)
TROUBLE ANALYSIS - 2870B1M DIAL

| TROUBLE NUMBER | FAILURE | ADDITIONAL SYMPTOM | POSSIBLE CAUSE | REMEDIAL ACTION |
|----------------|----------------------------------------------------------------------------------------------|--------------------------------------------------------------------------------------------------------------------------------------------------------------------------------------|--------------------------------------------------------------|---------------------------------------------------------------|
| 6 (Contd) | | Digits appear to be accepted correctly but cannot dial from memory | Defective Line Sensing Relay PWB | Replace Line Sensing PWB |
| | | Warble tones heard when automatically dialing. Get "cannot complete" intercept for automatic or manual dialing. | Dialing problem | See trouble No. 8 |
| 7 | Cannot record properly into the 31 memory positions or into the LAST NUMBER DIALED position. | Warble tones heard when automatically dialing. Get "cannot complete" intercept for automatic or manual dialing. | WAIT contacts closed even when WAIT button is not depressed. | Replace Memory. |
| | | Party is reached when number is recorded as it is manually dialed. However, when number is subsequently dialed from Memory, party is not reached—wrong number is dialed from Memory. | Incorrect dial contact sequence. | Replace dial. |
| | | | Defective logic. | Replace Memory. |
| | | | Open circuit on PSB. | Replace adjunct dial* |
| 8 | Cannot dial properly from memory. | | Unknown. | |
| | | | Did not record properly. | 1. Record per 5.01. 2. See trouble No. 6 |
| | | | Battery not connected or defective | Connect or replace battery |
| | | | Open circuit in power path. | Check for proper strap lead connections on PSB. See Fig. 12B. |
| | | | Defective logic. | Replace Memory. |
| | | | Incorrect dial sequence. | Replace 35-type dial |
| | No audible TOUCH-TONE signal present. | | | |

* Refer to 6.02 (4)

TABLE G (Contd)
TROUBLE ANALYSIS – 2870B1M DIAL

| TROUBLE NUMBER | FAILURE | ADDITIONAL SYMPTOM | POSSIBLE CAUSE | REMEDIAL ACTION |
|----------------|-----------------------------------------------------------------------------------------|-------------------------------------------------------------------------------------------------------------------|-----------------------------------------------------------------------------------|------------------------------------------------------------------------------------------------------------------------------------------------------------------------------------------------------------------------------------------------------------------------------------------------------------------------------------------------------------------|
| 8 (Contd) | | Audible gap in train of digits being dialed. | | |
| | | No digits or random digits in memory. | AC power outage for 24 hours or longer. Disconnected or defective battery. | Reestablish ac power and rerecord numbers into memory. 1. Plug in the battery. 2. Allow the battery to be charged for a minimum of 5 minutes. Then momentarily remove the power unit from the ac power outlet for 10 seconds and reinsert. 3. If previously stored numbers are not dialed from memory, replace the battery. 4. Repeat procedure. |
| 9 | Cannot dial properly from memory when off hook. (Wired with dial tone detector option.) | No digits or all the same in random memory locations | Defective power supply circuit. Defective Memory. | Replace adjunct dial* Replace Memory. |
| | | Two or more memory locations have same digits which are usually different from originally recorded digits. | Static discharge damage | 1. Consult telephone company for proper grounding procedure. 2. Replace memory. |
| | | Automatically dials through a "wait" after pausing momentarily at the "wait" space on a train of recorded digits. | Defective WAIT contacts or defective circuit components. | 1. Replace Memory. 2. Replace dial tone detector PWB assembly of D-180493 Kit of Parts (if option is provided). |
| | | MB7 relay does not operate (no click heard) when button is depressed. | Precise TOUCH-TONE dial tone may not be present. Battery not connected | Make sure precise dial tone (350 Hz and 440 Hz) is present. Connect battery |

* Refer to 6.02 (4).

TABLE G (Contd)
TROUBLE ANALYSIS – 2870B1M DIAL

| TROUBLE NUMBER | FAILURE | ADDITIONAL SYMPTOM | POSSIBLE CAUSE | REMEDIAL ACTION |
|----------------|---------|--------------------------------------------------------------------------------------------------|-------------------------------------------------------|----------------------------------------------------------|
| 9 (Contd) | | | Memory not securely mounted | Tighten Memory mounting screws. |
| | | | Improper installation of dial tone detector D-180493. | Check connections for D-180493 installation. See Table B |
| | | Same as above - Addition of strap lead between PSB terminals 19 and 29 does not correct problem. | Improper connection to or defective Memory. | 1. Check connector cable. 2. Replace Memory. |
| | | | Defective Memory. | Replace Memory. |
| | | Addition of strap lead between PSB terminals 19 and 29 corrects | Defective dial tone detector. | Replace D-180493 dial tone detector. |
| | Unknown | Replace adjunct dial* | | |

*Refer to 6.02 (4).

**1200AT1 TOUCH-A-MATIC® 12 ADJUNCT DIAL
IDENTIFICATION, INSTALLATION, CONNECTIONS, OPERATION, AND MAINTENANCE**

1. GENERAL

1.001 This addendum supplements Section 501-164-203, Issue 1. Place this pink sheet ahead of Page 1 of this section.

1.002 This addendum is issued to delete all references to the optional D-180882 Kit of Parts. This kit will not be made available as originally proposed.

NOTICE

Not for use or disclosure outside the
Bell System except under written agreement

Printed in U.S.A.

Page 1
1 Page

1200AT1 TOUCH-A-MATIC® 12 ADJUNCT DIAL

IDENTIFICATION, INSTALLATION, CONNECTIONS, OPERATION, AND MAINTENANCE

1. GENERAL

- 1.01** This section contains information on the 1200AT1 TOUCH-A-MATIC 12 Adjunct Dial.
- 1.02** Whenever this section is reissued, the reason for reissue will be listed in this paragraph.
- 1.03** This dial is factory-wired to interface with a modular single line or two line (first line only) telephone set equipped for TOUCH-TONE® service (Fig. 1). The dial cannot be used where A lead control is required, but can be used on party line service.
- 1.04** It is available in all the standard promoted colors, Table A. The faceplate provided with each dial is silver.

TABLE A

COLOR ORDERING GUIDE

| COLOR | SUFFIX | BATTERY COVER |
|--------|--------|---------------|
| Black | -03 | 841399264 |
| Ivory | -50 | 841399272 |
| Green | -51 | 841399280 |
| Red | -53 | 841399298 |
| Yellow | -56 | 841399306 |
| White | -58 | 841399256 |
| Beige | -60 | 841399314 |
| Blue | -62 | 841399322 |
| Brown | -104 | 841399330 |
| Rust | -124 | 841399348 |



Fig. 1—Adjunct Dial and Associated Telephone Set

2. IDENTIFICATION

2.01 The dial provides automatic dialing of up to 12 frequently called telephone numbers. A number up to 16-digits in length can be stored.

2.02 *Design Features:*

- Modular unit
- Solid state circuit memory
- Will automatically dial up to 12 preprogrammed telephone numbers
- Will store up to 16-digits per number
- Capability to record, change, or delete numbers in memory
- Single button dialing and directory space for each telephone number

NOTICE

Not for use or disclosure outside the Bell System except under written agreement

- Has an internal S1 Sounder unit which provides tones for dialing, indicating proper recording procedures, and for checking the battery
- Battery powered (customer replaceable)
- Recording can be done with handset on- or off-hook. Off-hook recording does not interfere with conversation
- Record button protected during normal use by faceplate to prevent inadvertent erasure of stored numbers
- Can be used as a data input device for end-to-end signaling.

2.03 **Operating Features:**

- 12-button memory field with low force, short travel nonlocking buttons
- RECORD ON/OFF button (top button when faceplate is removed), when momentarily depressed places adjunct dial in the record mode, subsequent operation terminates the recording mode.

2.04 **Ordering Guide:**

- (a) The 1200AT1 dial is a modular type adjunct dial and may be ordered as follows.
- Dial, 1200AT1-* (includes the following):
 - Faceplate, 1200A1-122 (silver)
 - Customer Instruction Booklet, CIB-2502F
 - Battery, KS-21618L2 (9-volt)
 - Cord, Mounting, D4BU-29 (2-foot)
 - 841386352 Directory Marker (color dots)
 - 841396559 Directory Sheet (double-sided).
- (b) **Replaceable Components:**
- Alkaline Battery, 9-volt (subscriber replacement only)

*Add color suffix, Table A.

- Cord, Mounting, D4BU-29 (2-foot)
- Faceplate, 1200A1-122 (silver)
- 841396559 Directory Sheet (double-sided)
- Cover, Battery (Table A).

(c) **Optional Apparatus, ordered separately (D-180882 Kit of Parts) includes the following:**

- Adapter, 304A
- Cord, Mounting, D8AA-87 (7-foot)

3. **INSTALLATION AND CONNECTIONS**

3.01 There are three types of installations—standard, optional, and special.

A. **Standard Installation**

3.02 Assure that the central office (CO) line is terminated into a connecting block which will accept a standard modular D4BU mounting cord.

3.03 This adjunct dial is shipped with a 9-volt alkaline battery which is to be connected at the time of installation. Remove the battery cover located on bottom side of dial and make the necessary connection (Fig. 2). The battery should last a year under normal telephone usage.

Note: All subsequent batteries will be provided and installed by the subscriber. If service is discontinued, disconnect and discard the battery.

3.04 Plug one end of the standard D4BU mounting cord into LINE jack located under battery cover of the dial and other end into connecting block from CO. Plug one end of the two-foot D4BU telephone set mounting cord (furnished with the dial) into the PHONE jack on adjunct dial and plug other end of the cord into the telephone set mounting cord jack (Fig. 3).

3.05 Dress the two (2) cords flatwise in the cord channel under the cord retaining tab and replace the battery cover (Fig. 2).

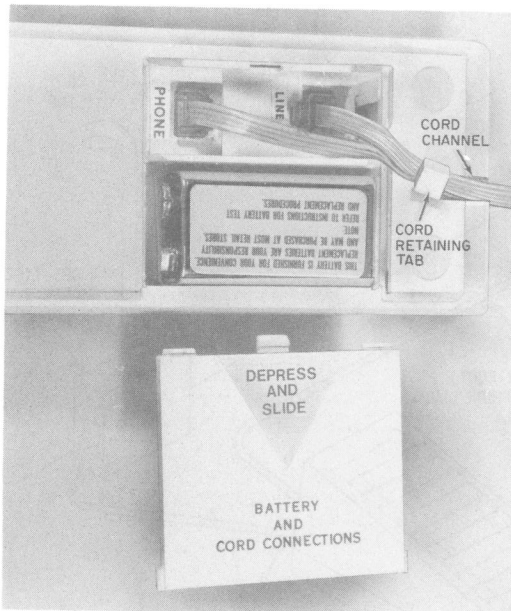


Fig. 2—Location of Battery and Cords

3.06 For proper illumination of incandescent dial lamp in associated telephone set, the total length of modular mounting cords may be limited. Refer to Section 502-303-101 for TRIMLINE® telephone sets and Section 502-703-101 for PRINCESS® telephone sets.

Caution: *If the mounting cords are reversed at the adjunct dial, you cannot break dial tone.*

B. Optional 304A Adapter Installation

3.07 To allow for customer portability, a D-180882 Kit of Parts (ordered separately) can be installed as follows.

- (1) Plug the 304A adapter (Fig. 4) into a 625-type connecting block or equivalent.
- (2) Plug one end of the D8AA mounting cord into the larger (8-conductor) jack on the adapter and other end of the cord into the LINE jack located under the battery cover of the adjunct dial (Fig. 5).

- (3) Plug one end of the standard telephone set D4BU mounting cord into the adapter PHONE jack and the other end into the telephone set mounting cord jack.

Note: When disconnecting a dialer utilizing the D-180882 Kit of Parts, unplug the D8AA mounting cord from the 304A adapter. **Do not unplug mounting cord from the dialer as this will disconnect the telephone set from the incoming line.**

C. Special Installation

3.08 If an RJ32X USOC arrangement using a 635A (MD) or 635B connecting block is available, the dial can be directly connected using a D8AA mounting cord from the connecting block to the line jack on the dial. This arrangement provides a series tip and ring connection through the connecting block. Refer to Section 463-400-130 for additional information.

D. Installation Test

Associated Telephone Set

3.09 Manually dial the appropriate code for ring-back to test the telephone set ringer and to check that the telephone operates properly.

Adjunct Dial

3.10 To test the adjunct dial proceed as follows.

- (1) Record digits 1 through 9, *, 0, and # into first memory location (see paragraph 4.02).
- (2) From the subscribers telephone set, manually dial CO dial test and ringer circuit.
- (3) Depress the first memory button (where test information was recorded); verify that correct signal is returned from CO.

4. OPERATION

4.01 The buttons on the adjunct dial serve a dual purpose.

- (1) To select memory locations.
- (2) To be used as specific digits when recording a telephone number.

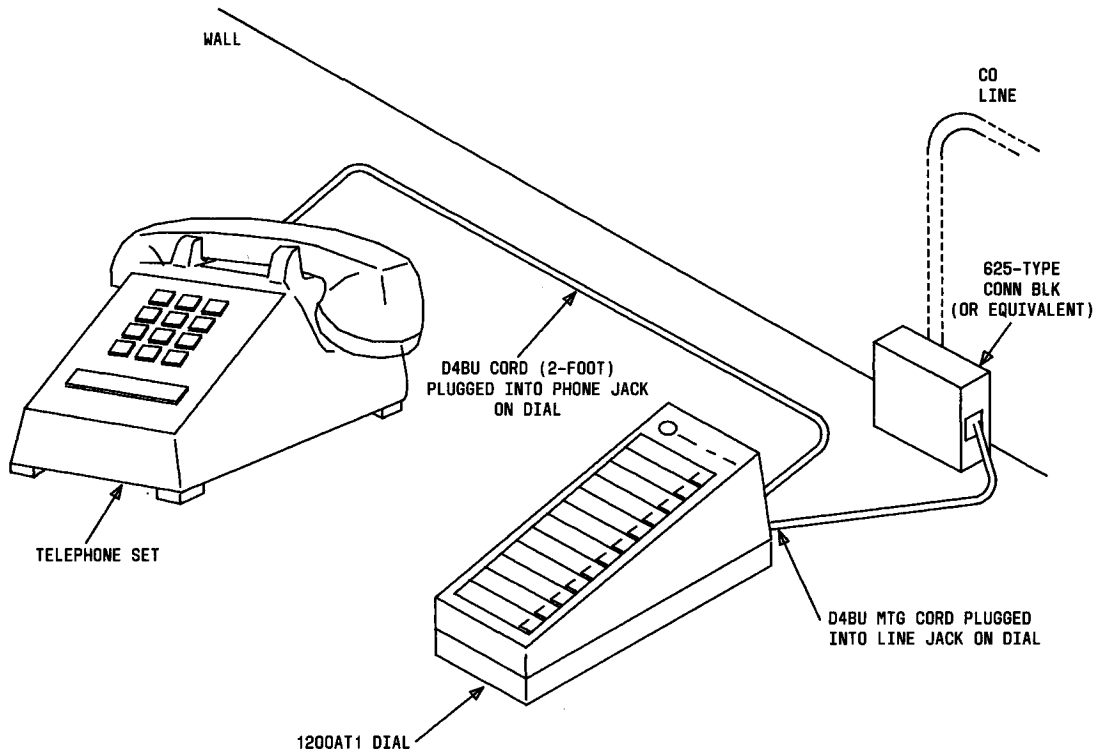


Fig. 3—Recommended Installation for Single Line Modular Desk Type Telephone Set

A. To Record a Number Into Memory

4.02 Perform the following operations in sequence.

- (1) Remove the adjunct dial faceplate (Fig. 6), using fingernail in slot at top.
- (2) Remove the directory sheet and write or type the desired name(s) and telephone number(s). Replace the directory sheet on the dial.

Note: The self-adhesive color dots are furnished with the dial so that the customer can place them on the directory sheet to emphasize or highlight important telephone numbers.

- (3) Momentarily depress the RECORD ON/OFF button (Fig. 7). (A constant tone will be heard.)
- (4) Momentarily depress the memory button adjacent to the desired name listed on the directory sheet. (A double interrupt of the tone will be heard.)
- (5) Manually dial the desired telephone number using the digit designations to the right of the memory buttons on adjunct dial. (The tone will interrupt momentarily as each digit is recorded.) A total of 16-digits can be recorded. If 16-digits are recorded the dial will beep three (3) times and automatically end the recording procedure.

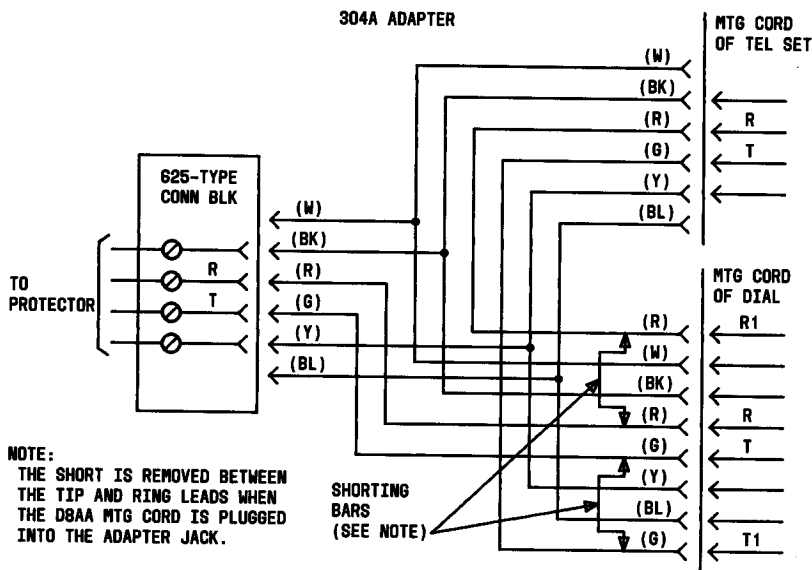


Fig. 4—Layout of 304A Adapter



If the dialer is inadvertently left in the record mode it will time out after about one (1) minute, give three (3) beeps, and automatically reset.

- (6) Momentarily depress the RECORD ON/OFF button. (The tone will cease and the dialer will be ready either for automatic dialing or to record another telephone number into memory.)
- (7) Replace the faceplate after all numbers have been recorded.

B. To Change a Number In Memory

4.03 When a new number is recorded in a previously used memory position it will automatically replace the previously stored number.

C. To Delete A Number From Memory

4.04 Perform the following operations in sequence.

- (1) Remove the adjunct dial faceplate.
- (2) Momentarily depress the RECORD ON/OFF button.
- (3) Depress the memory button corresponding to the name and telephone number to be deleted.
- (4) Momentarily depress the RECORD ON/OFF button.
- (5) Remove the persons name and telephone number previously written or typed on the directory sheet.

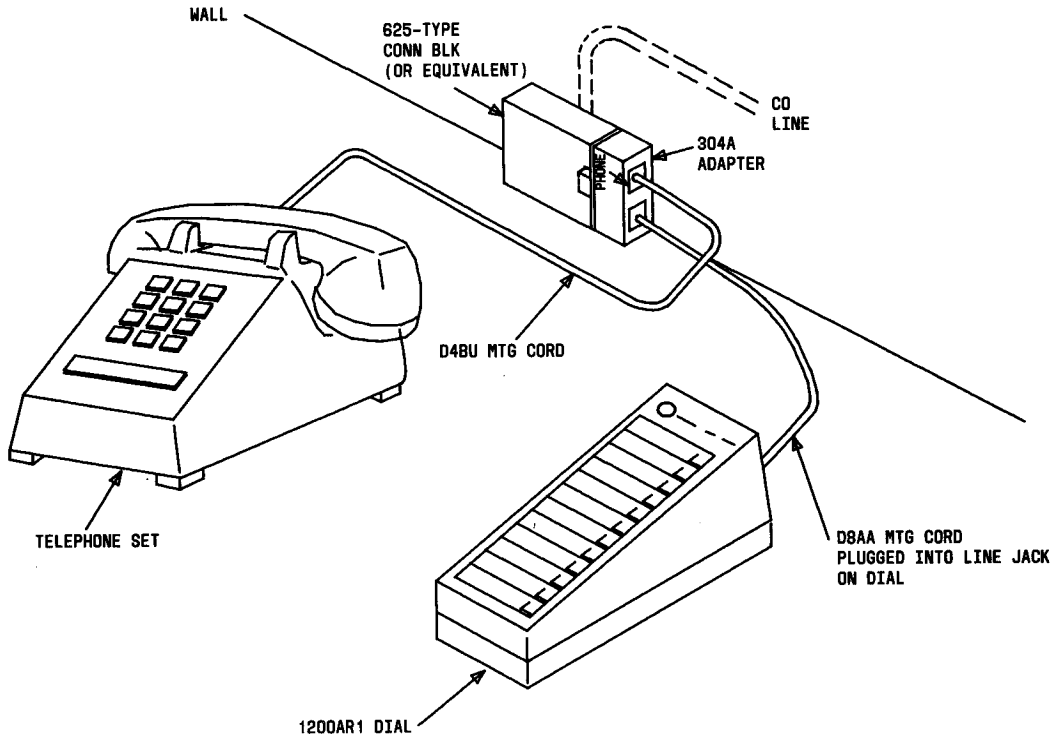


Fig. 5—Optional Installation for Single Line Modular Desk Type Telephone Set With D-180882 Kit of Parts

(6) Replace the faceplate.

D. To Automatically Dial A Number From Memory

4.05 To automatically dial a number.

- (1) Lift the handset off-hook and listen for dial tone.
- (2) Depress the desired memory button on the adjunct dial.

5. MAINTENANCE

5.01 Maintenance is limited to replacement of mounting cord, faceplate, directory sheet, and battery cover.

5.02 The battery is to be replaced by the customer. Refer to instruction label (Fig. 7) or Customer Instruction Booklet (CIB) for detailed battery testing and replacement procedures.

Caution: Telephone numbers stored in memory may be erased if battery is disconnected for longer than 1 minute during replacement.

5.03 If a dead battery is suspected, replace with a known good battery from another set. If the new battery clears trouble, retrieve the test battery and inform the customer a new battery is required.

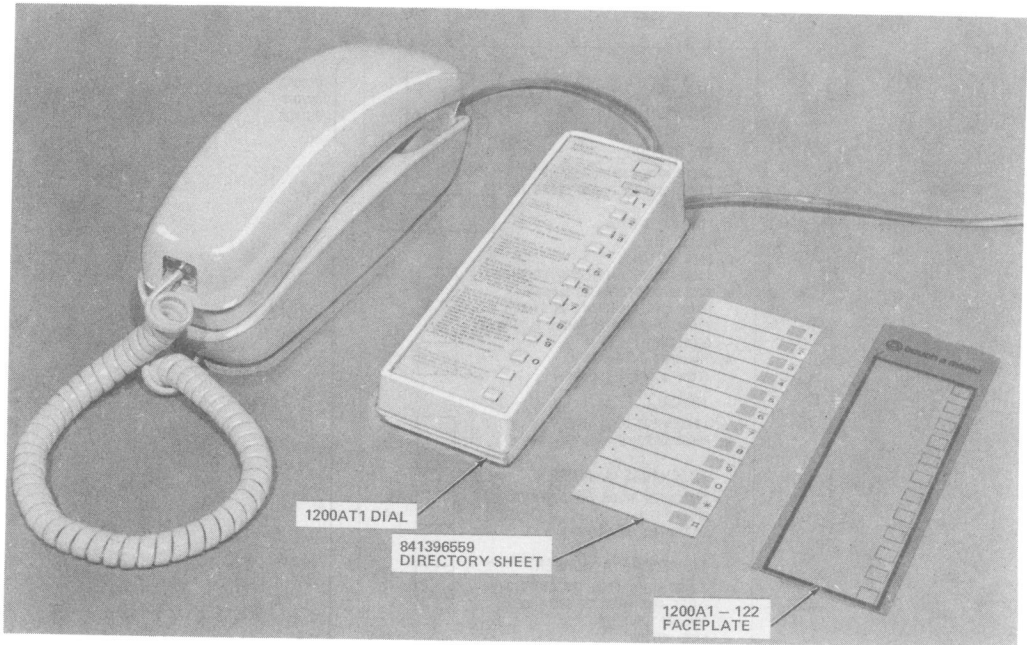


Fig. 6—1200AT1 Dial With Faceplate and Directory Sheet Removed

DIALER INSTRUCTIONS

RECORD ON/OFF BUTTON

TO RECORD
 WRITE NAME AND NUMBER ON DIRECTORY SHEET AND PRESS IN SEQUENCE

1. "ON/OFF" BUTTON (TONE ON)
2. NAME BUTTON (TONE BRIEFLY INTERRUPTED TWICE)
3. DIGITS OF TELEPHONE NUMBER USING DIGIT BUTTONS ON DIALER (TONE INTERRUPTED WHILE BUTTON DEPRESSED)
4. "ON/OFF" BUTTON (TONE STOPS)

TO CALL

1. LISTEN FOR DIAL TONE
2. PRESS DESIRED NAME BUTTON

TO CHANGE A NUMBER

1. CHANGE ENTRY ON THE DIRECTORY SHEET
2. RECORD THE NEW NUMBER

TO REMOVE A NUMBER
 ERASE ENTRY FROM THE DIRECTORY SHEET AND PRESS IN SEQUENCE

1. "ON/OFF" BUTTON
2. NAME BUTTON
3. "ON/OFF" BUTTON

BATTERY CHECK
 PRESS A NAME BUTTON THAT HAS A RECORDED PHONE NUMBER. IF YOU HEAR THE DIALER "BEEP" THE BATTERY IS GOOD. IF YOU DO NOT HEAR THE DIALER "BEEP", REPLACE THE BATTERY

BATTERY REPLACEMENT

1. PURCHASE A GOOD QUALITY 9-VOLT ALKALINE BATTERY
2. REMOVE THE BATTERY COVER
3. REMOVE THE BATTERY FROM ITS COMPARTMENT
4. UNSNAP THE BATTERY CONNECTOR FROM THE OLD BATTERY AND CONNECT TO THE NEW BATTERY (MEMORY WILL BE PRESERVED FOR A SHORT PERIOD WHILE THIS STEP IS BEING ACCOMPLISHED)
5. INSERT THE NEW BATTERY INTO ITS COMPARTMENT
6. REPLACE THE BATTERY COVER

FOR MORE DETAILED INFORMATION CONCERNING INSTALLATION, OPERATION OR TROUBLE CONSULT YOUR INSTRUCTION BOOKLET

1
 ABC 2
 DEF 3
 GHI 4
 JKL 5
 MNO 6
 PRS 7
 TUV 8
 WXY 9
 0

Fig. 7—Instruction Label

1200AR1 "TOUCH-A-MATIC" 12 ADJUNCT DIAL

IDENTIFICATION, INSTALLATION, CONNECTIONS, OPERATION, AND MAINTENANCE

1. GENERAL

- 1.01** This section contains information on the 1200AR1 TOUCH-A-MATIC 12 adjunct dial.
- 1.02** Whenever this section is reissued, the reason for reissue will be listed in this paragraph.
- 1.03** This dial is factory-wired to interface with a modular single line or two line (first line only) telephone set equipped for rotary dial service (Fig. 1). The dial is used in locations where the central office is equipped for rotary or TOUCH-TONE® dial service. It can also be used on party line service.
- 1.04** This dial is available in the colors shown in Table A. The faceplate provided with each dial is silver.



Fig. 1—Adjunct Dial and Associated Telephone Set

* Trademark of American Telephone and Telegraph Company

TABLE A

COLOR ORDERING GUIDE

| COLOR | SUFFIX | BATTERY COVER |
|--------|--------|---------------|
| Black | -03 | 841399264 |
| Ivory | -50 | 841399272 |
| Green | -51 | 841399280 |
| Red | -53 | 841399298 |
| Yellow | -56 | 841399306 |
| White | -58 | 841399256 |
| Beige | -60 | 841399314 |
| Blue | -62 | 841399322 |
| Brown | -104 | 841399330 |
| Rust | -124 | 841399348 |

2. IDENTIFICATION

2.01 The dial provides automatic dialing of up to 12 frequently called telephone numbers. A number up to 16-digits in length can be stored.

2.02 Design Features:

- Modular unit
- Solid state circuit memory
- Will automatically dial up to 12 preprogrammed telephone numbers
- Will store up to 16-digits per number
- Capability to record, change, or delete numbers in memory
- Single button dialing and directory space for each telephone number
- Has an internal S1 sounder unit which provides tones for dialing, indicating proper

NOTICE

Not for use or disclosure outside the Bell System except under written agreement

recording procedures, and for checking the battery

- Battery powered (customer replaceable)
- Recording can be done with handset on- or off-hook. Off-hook recording does not interfere with conversation
- Record button protected during normal use by faceplate to prevent inadvertent erasure of stored numbers.

2.03 *Operating Features:*

- 12-button memory field with low force, short travel nonlocking buttons
- RECORD ON/OFF button (top button when faceplate is removed), when momentarily depressed places adjunct dial in the record mode, subsequent operation terminates the recording mode.

2.04 *Ordering Guide.*

(a) The 1200AR1 dial is a modular type adjunct dial and may be ordered as follows.

- Dial, 1200AR1-† (includes the following):
- Faceplate, 1200A1-122 (silver)
- Customer Instruction Booklet, CIB-2502F
- Battery, KS-21618L2 (9-volt)
- Cord, Mounting, D4BU-29 (2-foot)
- 841386352 Directory Marker (color dots)
- 841397938 Directory Sheet (double-sided).

(b) *Replaceable Components:*

- Alkaline Battery, 9-volt (subscriber replacement only)
- Cord, Mounting, D4BU-29 (2-foot)
- Faceplate, 1200A1-122 (silver)

† Add color suffix, Table A.

- 841397938 Directory Sheet (double-sided)
- Cover, Battery (Table A).

3. INSTALLATION AND CONNECTIONS

3.01 There are two types of installations—standard and special.

A. Standard Installation

3.02 Assure that the central office (CO) line is terminated into a connecting block which will accept a standard modular D4BU mounting cord.

3.03 This adjunct dial is shipped with a 9-volt alkaline battery which is to be connected at the time of installation. Remove the battery cover located on bottom side of dial and make the necessary connection (Fig. 2). The battery should last a year under normal telephone usage.



All subsequent batteries will be provided and installed by the subscriber. If service is discontinued, disconnect and discard the battery.

3.04 Plug one end of the standard D4BU telephone set mounting cord into LINE jack located under battery cover of the dial and other end into connecting block from CO. Plug one end of the two-foot D4BU mounting cord (furnished with the dial) into the PHONE jack on adjunct dial and plug other end of the cord into the telephone set mounting cord jack (Fig. 3).

3.05 Dress the two (2) cords flatwise in the cord channel under the cord retaining tab and replace the battery cover (Fig. 2).

3.06 For proper illumination of incandescent dial lamp in associated telephone set, the total length of modular mounting cords may be limited. For additional information on incandescent dial lighting for TRIMLINE® telephone sets refer to Section 502-303-101 and for PRINCESS® sets Section 502-703-101.

B. Special Installation

3.07 If an RJ32X USOC arrangement using a 635A (MD) or 635B connecting block is available, the dial can be directly connected using

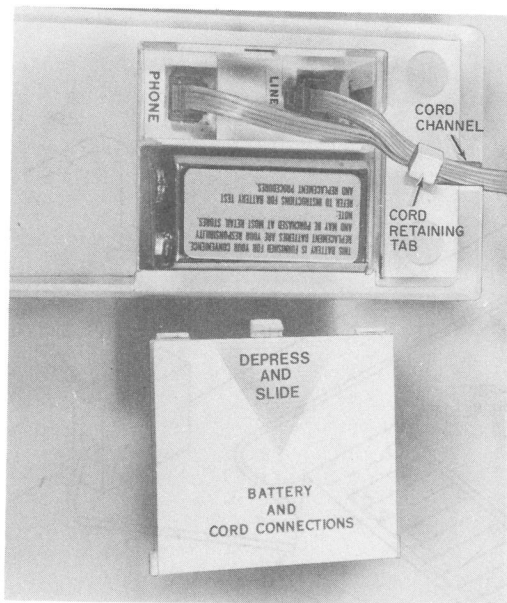


Fig. 2—Location of Battery and Cords

a D8AA mounting cord from the connecting block to the line jack on the dial. This arrangement provides a series tip and ring connection through the connecting block. Refer to Section 463-400-130 additional information.

C. Installation Test

Associated Telephone Set

3.08 Manually dial the appropriate code for ring-back to test the telephone set ringer and to check that the telephone operates properly.

Adjunct Dial

3.09 To test the adjunct dial proceed as follows.

- (1) Record a known telephone number into each of the 12 memory locations (see paragraph 4.02).
- (2) Automatically dial a number from memory by lifting the handset and listening for dial tone; then depress the desired memory button

on the adjunct dial. The dial does not mute the handset receiver and the signals outpulsed should be heard in the receiver.

4. OPERATION

4.01 The buttons on the adjunct dial serve a dual purpose.

- (1) To select memory locations.
- (2) To be used as specific digits when recording a telephone number.

A. To Record a Number Into Memory

4.02 Perform the following operations in sequence.

- (1) Remove the adjunct dial faceplate (Fig. 4), using fingernail in slot at top.
- (2) Remove the directory sheet and write or type the desired name(s) and telephone number(s). Replace the directory sheet on the dial.

Note: The self-adhesive color dots are furnished with the dial so that the customer can place them on the directory sheet to emphasize or highlight important telephone numbers.

- (3) Momentarily depress the RECORD ON/OFF button (Fig. 3). (A double tone will be heard.)
- (4) Momentarily depress the memory button adjacent to the desired name listed on the directory sheet. (A double interrupt of the tone will be heard.)
- (5) Manually dial the desired telephone number using the digit designations to the right of the memory buttons on adjunct dial, **not** the dial of the associated telephone set. (The tone will interrupt momentarily as each digit is recorded.) A total of 16-digits can be recorded. If 16-digits are recorded the dial will beep three (3) times and automatically end the recording procedure.

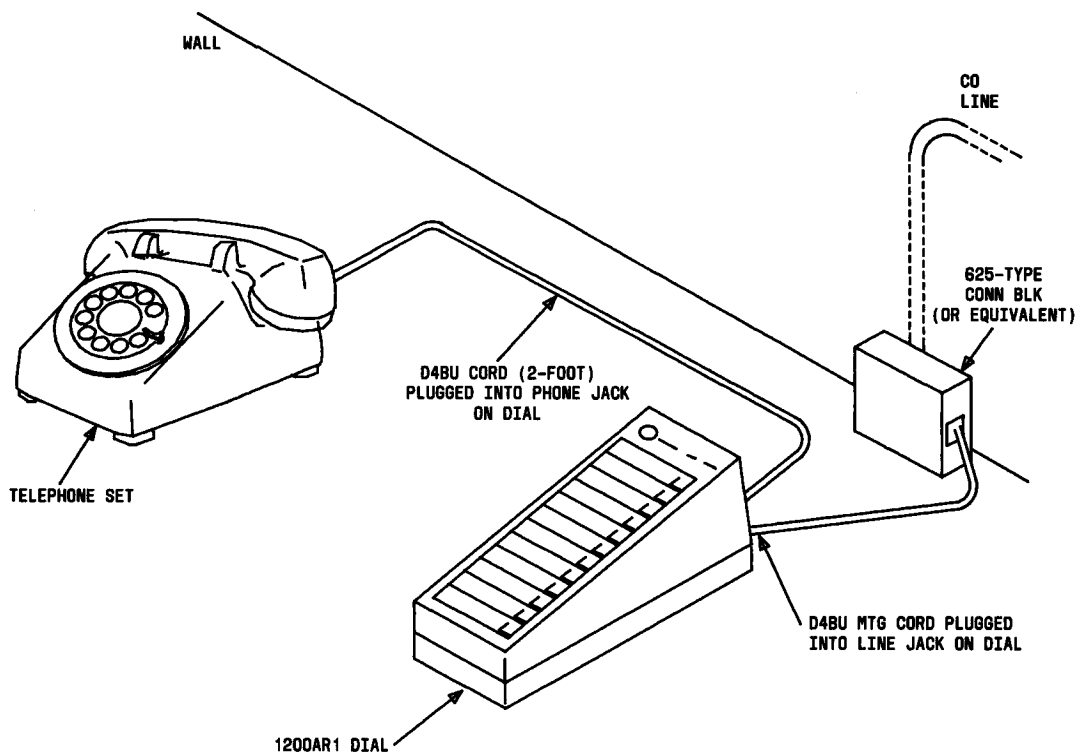


Fig. 3—Recommended Installation for Single Line Modular Desk Type Telephone Set



If the dialer is inadvertently left in the record mode it will time out after about one (1) minute, give three (3) beeps, and automatically reset.

(6) Momentarily depress the RECORD ON/OFF button. (The tone will cease and the dialer will be ready either for automatic dialing or to record another telephone number into memory.)

(7) Replace the faceplate after all numbers have been recorded.

B. To Change a Number In Memory

4.03 When a new number is recorded in a previously used memory position it will automatically replace the previously stored number.

C. To Delete A Number From Memory

4.04 Perform the following operations in sequence.

(1) Remove the adjunct dial faceplate.

(2) Momentarily depress the RECORD ON/OFF button.

(3) Depress the memory button corresponding to the name and telephone number to be deleted.

(4) Momentarily depress the RECORD ON/OFF button.

(5) Remove the persons name and telephone number previously written or typed on the directory sheet.

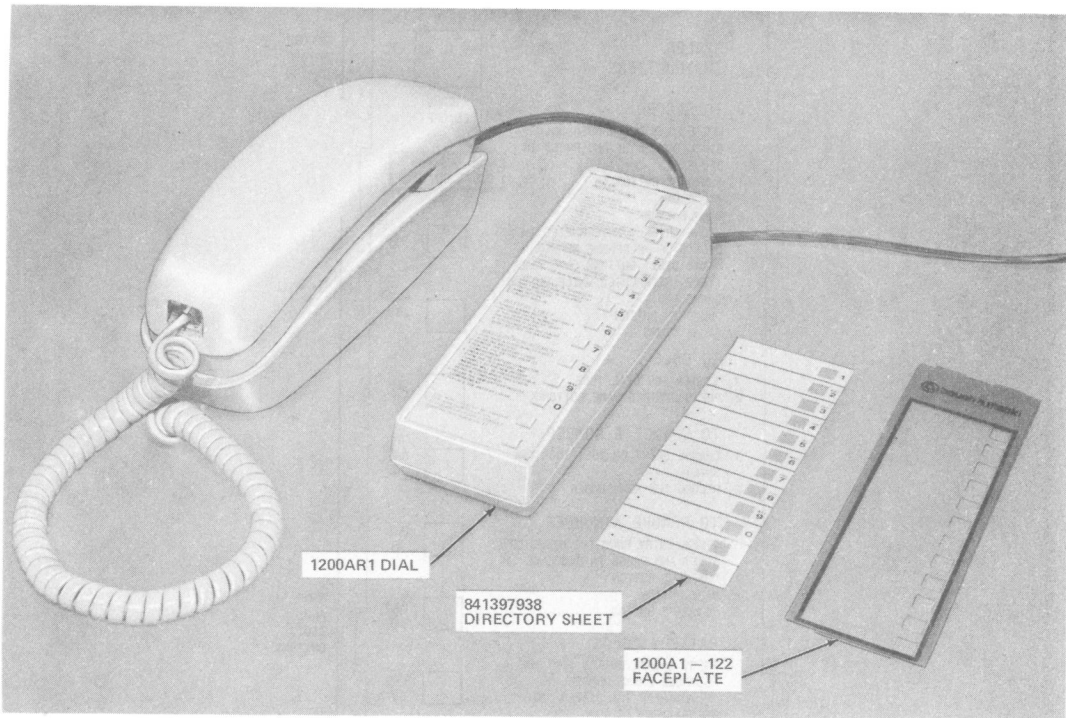


Fig. 4—1200AR1 Dial With Faceplate and Directory Sheet Removed

(6) Replace the faceplate.

D. To Automatically Dial A Number From Memory

4.05 To automatically dial a number.

- (1) Lift the handset off-hook and listen for dial tone.
- (2) Depress the desired memory button on the adjunct dial.

5. MAINTENANCE

5.01 Maintenance is limited to replacement of mounting cord, faceplate, directory sheet, and battery cover.

5.02 The battery is to be replaced by the customer. Refer to instruction label (Fig. 5) or Customer Instruction Booklet (CIB) for detailed battery testing and replacement procedures.

Caution: Telephone numbers stored in memory may be erased if battery is disconnected for longer than 1 minute during replacement.

5.03 If a dead battery is suspected, replace with a known good battery from another set. If the new battery clears trouble, retrieve the test battery and inform the customer a new battery is required.

DIALER INSTRUCTIONS

TO RECORD
WRITE NAME AND NUMBER ON DIRECTORY SHEET AND PRESS IN SEQUENCE

1. "ON/OFF" BUTTON (TONE ON)
2. NAME BUTTON (TONE BRIEFLY INTERRUPTED TWICE)
3. DIGITS OF TELEPHONE NUMBER USING DIGIT BUTTONS ON DIALER (TONE INTERRUPTED WHILE BUTTON DEPRESSED)
4. "ON/OFF" BUTTON (TONE STOPS)

TO CALL

1. LISTEN FOR DIAL TONE
2. PRESS DESIRED NAME BUTTON

TO CHANGE A NUMBER

1. CHANGE ENTRY ON THE DIRECTORY SHEET
2. RECORD THE NEW NUMBER

TO REMOVE A NUMBER
ERASE ENTRY FROM THE DIRECTORY SHEET AND PRESS IN SEQUENCE

1. "ON/OFF" BUTTON
2. NAME BUTTON
3. "ON/OFF" BUTTON

BATTERY CHECK
PRESS A NAME BUTTON THAT HAS A RECORDED PHONE NUMBER. IF YOU HEAR THE DIALER "BEEP" THE BATTERY IS GOOD. IF YOU DO NOT HEAR THE DIALER "BEEP", REPLACE THE BATTERY

BATTERY REPLACEMENT

1. PURCHASE A GOOD QUALITY 9-VOLT ALKALINE BATTERY
2. REMOVE THE BATTERY COVER
3. REMOVE THE BATTERY FROM ITS COMPARTMENT
4. UNSNAP THE BATTERY CONNECTOR FROM THE OLD BATTERY AND CONNECT TO THE NEW BATTERY (MEMORY WILL BE PRESERVED FOR A SHORT PERIOD WHILE THIS STEP IS BEING ACCOMPLISHED)
5. INSERT THE NEW BATTERY INTO ITS COMPARTMENT
6. REPLACE THE BATTERY COVER

FOR MORE DETAILED INFORMATION CONCERNING INSTALLATION, OPERATION OR TROUBLE CONSULT YOUR INSTRUCTION BOOKLET

RECORD ON/OFF

NAME BUTTONS & DIGIT BUTTONS

| | | |
|--|-----|---|
| | 1 | |
| | ABC | 2 |
| | DEF | 3 |
| | GHI | 4 |
| | JKL | 5 |
| | MNO | 6 |
| | PRS | 7 |
| | TUV | 8 |
| | WXY | 9 |
| | 0 | |
| | | |

RECORD ON/OFF BUTTON

NAME AND DIGIT BUTTONS

Fig. 7—Instruction Label

870A1M AND 870A2M TELEPHONE SETS
TOUCH-A-MATIC® AUTOMATIC DIALER

| CONTENTS | PAGE | CONTENTS | PAGE |
|-------------------------------------------------------------------------------------------------|------|------------------------------------------------------------|------|
| 1. GENERAL | 2 | COMPONENT LOCATION AND ACCESS INFORMATION | 13 |
| 2. IDENTIFICATION | 3 | Location of Components | 13 |
| Design Features | 3 | Mounting Cord | 13 |
| Optional Features | 3 | Network Terminals | 14 |
| Ordering Guide | 4 | Power Supply Board (PSB) Terminals | 14 |
| Operating Features | 5 | Faceplate Removal | 14 |
| 3. INSTALLATION | 6 | Handset Cradle Removal | 14 |
| STANDARD INSTALLATION | 6 | Housing Removal | 14 |
| Power Unit Connections | 6 | 4. CONNECTIONS | 15 |
| Installation Check Procedure | 6 | 5. OPERATION | 15 |
| OPTIONAL APPARATUS INSTALLATION | 9 | Record A Number Into Memory | 15 |
| D-180568 Kit of Parts (With Speakerphone) | 9 | Change A Number In Memory | 16 |
| D-180493 Kit of Parts (Dial Tone Detector and One-Touch Calling Switch) | 9 | Delete A Number From Memory | 16 |
| D-180818 Kit of Parts (Record Disable and Dial Intermix Features) | 11 | Automatically Dial A Number From Memory | 16 |
| KS-20419L1 Buzzer | 11 | LAST NUMBER DIALED Feature | 16 |
| Plug-Ended Mounting Cord (For Conversion of 870A1M to 870A2M Telephone Set) | 12 | 6. MAINTENANCE | 17 |
| Optional Power Connections | 12 | Trouble Analysis | 17 |
| Head Telephone Set | 13 | Battery | 17 |
| | | Memory | 17 |
| | | Dial | 18 |

NOTICE

Not for use or disclosure outside the Bell System except under written agreement

| CONTENTS | PAGE |
|-----------------------------|------|
| Ringer | 18 |
| Buzzer (Optional) | 18 |
| Handset Jack | 18 |
| Handsets | 18 |
| Faceplate | 19 |
| Speakerphone | 19 |

- Show 870A2-87 faceplate MD
- Add 870B1-type faceplates
- Add 870A1U upper housing
- Revise Table H.

Since this reissue covers a general revision, arrows ordinarily used to indicate changes have been omitted.

1. GENERAL

1.01 This section contains identification, installation, connections, and maintenance information for the 870A1M (MD) or 870A2M telephone set (Fig. 1)

1.02 This section is reissued to:

- Add D-180818 Kit of Parts

1.03 The 870A1M (MD) telephone set equipped with D6AD mounting cord or 870A2M telephone set equipped with 623P6 jack assembly is factory-wired for bridged or individual ringing. Mounting cord conductors provide for tip, ring, ac power (870A1M), and A-lead control for 1A1, 1A2, or 6A key telephone systems (KTS).

Caution: Telephone sets are factory-wired for A-lead control. If set is installed in a location where dial-light service is provided the A and A1 leads must be disconnected, insulated,

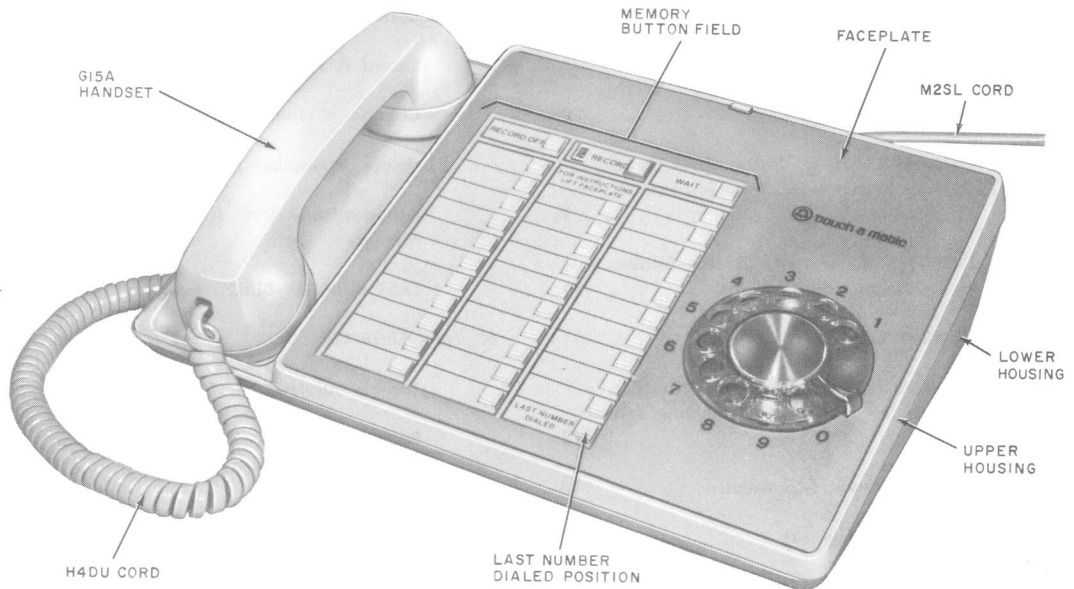


Fig. 1—870A2M Telephone Set

and stored at the connecting block to prevent shorting out dial light transformer.

- 1.04 The 870A2M telephone set is shipped with a modular 623P6 mounting cord jack assembly, M2SL-87 power cord, and 95B-type power unit installed.
- 1.05 The 870A1M telephone set is field convertible to modular.
- 1.06 The telephone sets are available in the following colors:
- Black (-03)
 - Green (-51)
 - White (-58)
 - Lt. Beige (-60)
- 1.07 The 870B1-type faceplates are available in the following colors:
- Teak Woodgrain (-108)
 - Walnut Woodgrain (-109)
 - Matte Aluminum (-122)
- 1.08 The 870A2 (MD) faceplate is available in satin-silver (-87) only.

2. IDENTIFICATION

2.01 The 870A1M or 870A2M telephone set provides all standard features of a normal single line telephone set plus automatic dialing of 31 frequently called numbers, and a LAST NUMBER DIALED *scratch pad* memory.

2.02 Design Features:

- Modular telephone set, 870A2M (870A1M is convertible to modular)
- Integrated circuit memory
- Memory buttons from which to select preprogrammed telephone numbers for automatic dialing

- Capability to record and automatically dial 31 telephone numbers of up to 15 digits each
- Last number manually dialed memory
- Plug-in battery
- Capability to pause for subsequent dial tones during automatic dialing (WAIT input).

2.03 Optional Features (Refer to Table A):

- Decorative Faceplate
- Speakerphone—either 3B (MD) or 4A speakerphone system may be added to stations
- Dial Tone Detector—automatically starts dialer when precise TOUCH-TONE® dial tone (350 Hz and 440 Hz) is present
- One-Touch Calling, (requires both Dial Tone Detector and speakerphone)—depressing one memory button will automatically turn on speakerphone, detect dial tone, and dial complete number

Note: All dial tones encountered in the process of placing a call must be precise TOUCH-TONE dial tone (350 Hz and 440 Hz) if the call is to be completed automatically.

- Record Disable: turns off the recording feature to prevent accidental erasures of previously stored numbers
- Dial Intermix: same as record disable feature plus.
 - (a) Allows digits dialed from manual dial and from memory to be entermixed without having to depress the RECORD OFF button.
 - (b) Disables the LAST NUMBER DIALED feature, and allows that memory position to be used as any other one.
- Plug-ended mounting cord (870A1M)
- KS-20419L1 buzzer

- Amplifying handset
- Head telephone set operation
- End-to-end signaling using 1035C3A (MD) or 1035AF3A Dial Adjunct (Section 501-164-130).

2.04 All options are implemented by:

- Wiring changes in the telephone set
- Installation of appropriate additional items.

2.05 Ordering Guide.

(a) The 870A2M (modular) telephone set may be ordered complete and ready to install as:

- Set, Telephone, 870A2M-* E/W 870B1-122 faceplate

(b) **Ordered Separately:**

- Unit, Power, 95B1 or 95B2 (870A1M)

Note: A 95B-type power unit is required for each telephone set.

- Cord, Mounting, D4BU-29 or D6AM-87 (870A2M).

(c) **Modular Components:**

(1) The 870A2M telephone set may also be ordered in its component parts as follows:

- Housing, 870A1-*
- Housing, Upper, 870A1U-* (used with 870B1 faceplate)
- Faceplate, 870B1-122 (matte aluminum)
- Handset, G15A-*
- Cord, Handset, H4DU-*
- Base, Telephone Set, 870A2M includes the following:

Dial, 8EA-119

Ringer, P1B

Network

Battery, KS-20390L2 or KS-20390L4

Jack, Handset, 616B

Jack, Mounting Cord, 623P6 (870A2M only)

Cord, Power, M2SL-87 [(7-foot) 870A2M only]

Unit, Power, 95B1 or 95B2 (870A2M only)

Memory, 870B

840393672 Directory Sheet Set

Subscriber Instruction Booklet, SIB-2455B

(d) **Optional Apparatus (order as required):**

- Faceplate, 870B1-
 - (a) Teak Woodgrain (-108)
 - (b) Walnut Woodgrain (-109)

Note: If set is equipped with older 870A1 or 870A2 faceplate, then an upper housing of the appropriate color must be ordered.

- Kit of Parts, D-180568 (must be used for speakerphone service)
- Kit of Parts, D-180493 (Dial Tone Detector and One-Touch Calling switch)
- Kit of Parts, D-180818 (Record Disable and Dial Intermix features)

Note: This kit of parts may be used only with sets equipped with an 870B Memory.

- Cord, Mounting, D4BU-29 or D6AM-87 (870A1M, conversion to modular)
- Jack, Mounting, 623P6 (870A1M, conversion to modular)
- Cord, Power, M2SL-87, 7-foot (separate power cord for 870A1M)
- Buzzer, KS-20419L1
- Handset, Amplifying (G6-*, G7-*, or G8-*type)

TABLE A

OPTIONS

| OPTION | | ADDITIONAL ITEMS REQUIRED | CONNECTION PER | |
|-------------------------------------|----------------------------------------------------------|--------------------------------------------|----------------|-------|
| | | | FIG. | TABLE |
| Speakerphone | 4A | 108-type Loudspeaker | 9 | D, E |
| | | 680-type Transmitter | 9 | D, E |
| | | 223D Adapter | 9 | D, E |
| | | 85B1 Power Unit | 9 | D, E |
| | | D-180568 Kit of Parts | 7(C) | D, E |
| | 3B | 760A Loudspeaker | 8 | B, C |
| | | 666B Transmitter | 8 | B, C |
| | | 55-type Control Unit | 8 | B, C |
| | | 2012B Transformer | 8 | B, C |
| | | D10R-87 Cord | 8 | B, C |
| | | D-180568 Kit of Parts | 7(C) | B, C |
| One-Touch Calling | D-180493 Kit of Parts | 7(D,E) | C or E | |
| | Speakerphone | 7(B) | | |
| Dial Tone Detector | D-180493 Kit of Parts | 7(D) | F | |
| Convert 870A1M to 870A2M (3.11) | 623P6 Jack, D4BU Cord, M2SL Cord, 95B-Type Power Unit | | | |
| Buzzer (3.10) | KS-20419L1 | | | |
| Amplifying Handsets (6.09) | G6, G7, or G8-Type Handset | | | |
| Adjunct Keys * | 6040-, 6050-, or 6051-Type Key | | | |
| Decorative Faceplate (3.19) | 870B1-108 (Teak Woodgrain) | | | |
| | 870B1-109 (Walnut Woodgrain) | | | |
| Record Disable (3.09) | D-180818 Kit of Parts (Note) | 7(A) | G | |
| Dial Intermix (3.09) | | | | |
| Head Telephone Set Operation (3.13) | Plantronics Jackset Model JS180-1 or JS180-2 | Tables Provided For Plantronics Jackset | | |
| | Desired Head Telephone Set | | | |
| End-to-End Signaling | 1035C3A (MD) or 1035AF3A Dial Adjunct | Section 501-164-130 | | |

Note: If set is equipped with 870A Memory, it must be replaced with an 870B Memory.

* When 6040-, or 6050-, or 6051-type key is used in conjunction with the 870A1M telephone set, automatic dialing and recording features are not reset when switching lines. To reset the dialer, it will be necessary to go on-hook, flash the switchhook, or depress the RECORD OFF button after termination of each call. If 6-button key service is desired it is recommended that the 872A1M telephone set be used because the reset function is automatically provided.

- Set, Head Telephone [using Plantronics Jackset Model JS180-1 (2-foot cord) or JS180-2 (7-foot cord)].

*Add appropriate color suffix (1.06 or 1.07).

2.06 Operating Features (Fig. 1).

- 32-button array of low force, low travel nonlocking memory buttons arranged in three

columns. Left and right columns have eleven buttons, center column has ten buttons.

- **LAST NUMBER DIALED** button located in lower right corner of memory array, when momentarily depressed, automatically redials the last number manually dialed.
- **RECORD** button (nonlocking), when momentarily depressed, lights the RECORD lamp and enables the memory circuits to store telephone numbers.
- **RECORD OFF** button (nonlocking), when momentarily depressed extinguishes the RECORD lamp, indicating that the dialer is switched out of the record mode.
- **WAIT** button (nonlocking), when momentarily depressed during recording operation, enters a code into memory to initiate a halt in the automatic dialing sequence [used where access digit(s) are required].

3. INSTALLATION

STANDARD INSTALLATION

3.01 Make all wiring changes and optional modifications (Table A) before external connections are made to the set (Fig. 7).

Caution: *Do not plug in either battery or power unit until all connections and modifications are completed. Take extreme care not to damage the exposed components, circuit, etc. when the set is opened.*

3.02 The set is shipped from the factory with the battery disconnected. After all wiring changes and modifications have been completed, connect the battery by tilting the set up, and inserting the battery plug into the mating jack.

Note: Write date of battery installation on label provided (Fig. 5).

3.03 Power Unit Connections.

- (1) For the 870A2M telephone set, the 95B-type power unit is factory-wired to terminals PSB-24 and PSB-25 via the M2SL-87 cord.

- (2) For the 870A1M telephone set, install the 95B-type power unit within 150 feet (24 gauge conductors) of the telephone set. The power unit may be located at the equipment end of the cable and connected to the telephone set by the G-W and W-G conductors in the mounting cord. Alternatively it may be connected to terminals PSB-24 and PSB-25 by conductors separate from the mounting cord. When separate power conductors are used, disconnect, insulate and store the (G-W) and (W-G) mounting cord leads on PSB terminals 24 and 25.

Note: The 95B-type unit must be located no closer than 1-1/2 feet from the telephone set in order to prevent a noise problem.

- (3) Plug the power unit into an ac outlet not controlled by a switch (continuous ac power is required). A retaining clamp (841050818) will be shipped with the 95B-type power unit and should be mounted to the ac receptacle to hold power unit securely and prevent accidental loss of power.

Danger: *Securely attach 841050818 or similar retaining clamp to ac outlet using outlet cover screw before attempting to install 95B-type power unit. The power unit and any other cord plugged into the ac outlet should always be unplugged completely from outlet before attempting to attach or remove the clamp. Do not use 841050818 or similar retaining clamp on outlets where center mounting screw holds the duplex outlet in the box.*

3.04 The station number card shall be placed in the plastic fingerwheel of the dial. The silver disc provided with the dial shall be retained under the number card.

3.05 The directory sheets (Fig. 2) fit over the buttons of the Memory and are held in place by the faceplate. Additional sheets are available in the directory sheet set, 840393672.

Installation Check Procedure

- 3.06** Check telephone set installation per the following tests (refer to Part 5 for operation).

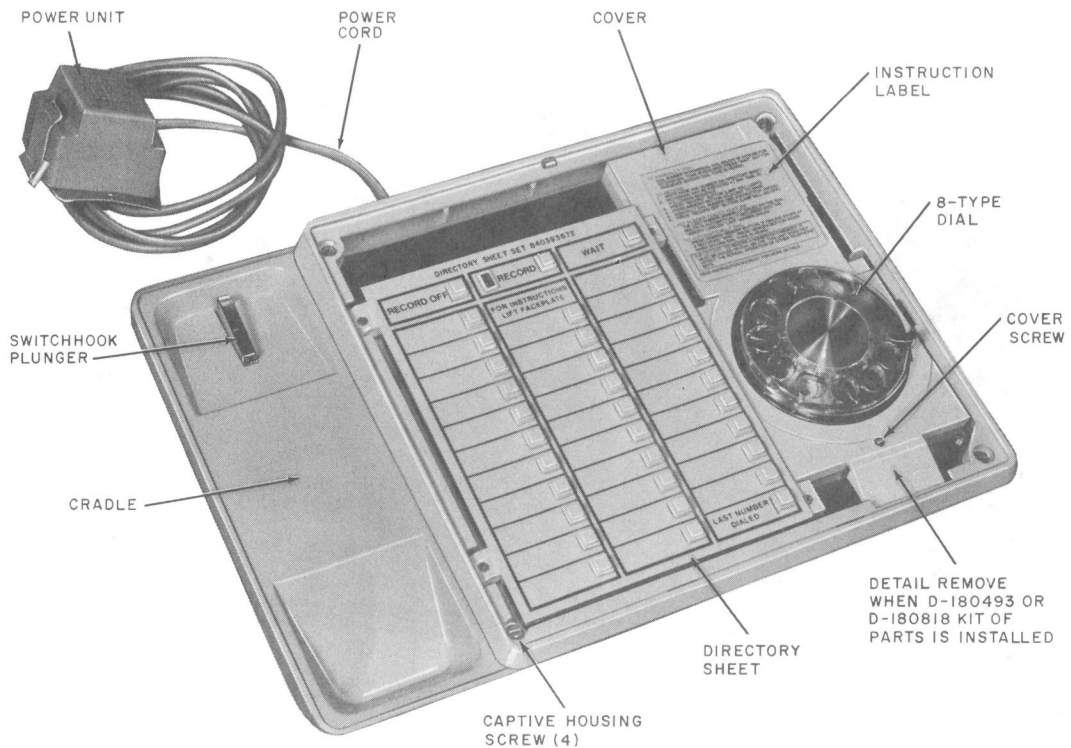


Fig. 2—870A2M Telephone Set—Faceplate and Handset Removed

In case of failure, refer to Trouble Analysis, Table H.

- (1) Disconnect the power unit and manually dial a known telephone number to check that the telephone operates correctly in the absence of commercial power.
- (2) Reconnect the power unit to ac outlet.
- (3) With the handset on-hook, record known telephone numbers, storing consecutive digits of the numbers in sequential memory locations. Fill all memory locations except LAST NUMBER DIALED and the location immediately above it [5.01 (4) through (7)].
- (4) Automatically dial the telephone numbers stored in Step (3) by momentarily depressing

the memory buttons in the same sequence in which the digits were recorded. Verify that the digits thus dialed produce the expected telephone numbers.

Note: The set should stop dialing if it reaches a stored WAIT input. Depress the memory button again and the remaining digits should be dialed.

- (5) Go off-hook and simultaneously manually dial and record a known telephone number into memory location immediately above LAST NUMBER DIALED [5.01 (4) through (7)].
- (6) Momentarily hang up handset and automatically dial the number recorded in Step (5) and verify that it is correct.

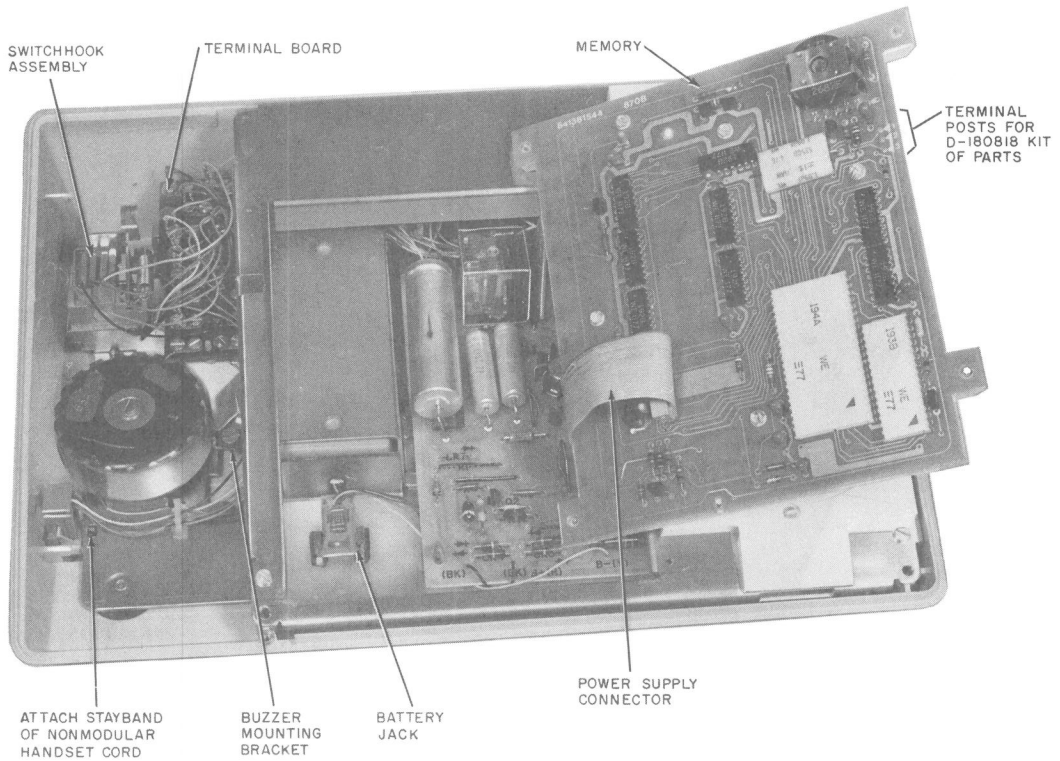


Fig. 3—870A2M Telephone Set—Internal View

- (7) Go off-hook, manually dial a known telephone number with a *wait* input inserted in the number.
- (8) Automatically dial the number by depressing the LAST NUMBER DIALED button.

Note: The set should stop dialing at the stored WAIT input. Depress the LAST NUMBER DIALED button again and the remaining digits should be dialed.



The battery and the power unit must be connected a minimum of five minutes before doing Step (9).

- (9) Momentarily disconnect the power unit (for 5 to 10 seconds). After reconnecting power unit, momentarily depress memory buttons in same sequence in which digits were recorded in Step (3). Verify that the correct telephone number is dialed out.
- (10) Dial the appropriate code for ring-back to test the ringer.
- (11) If equipped with one-touch calling option (D-180493 Kit of Parts and speakerphone), and with set in on-hook condition, depress the memory button used in Step (5). The speakerphone should turn on, dial tone should automatically be detected, and the stored number should be automatically dialed.

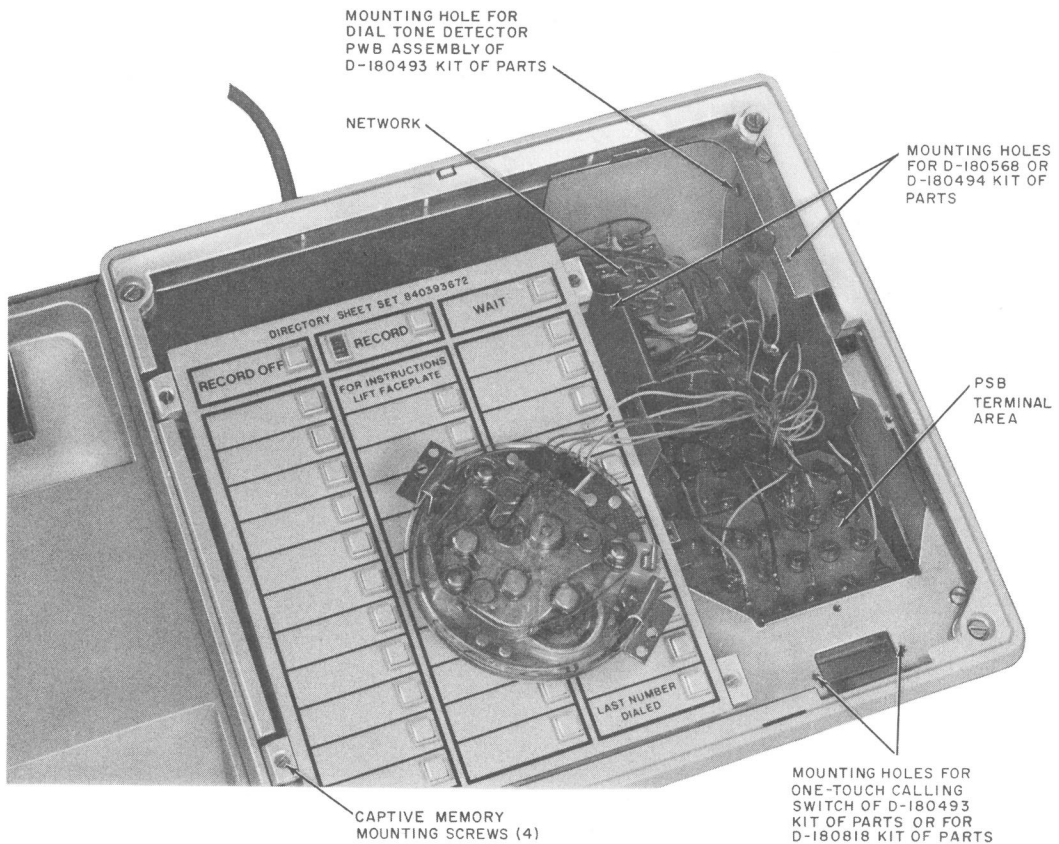


Fig. 4—870A2M Telephone Set—Dial Removed to Show Terminal Area

OPTIONAL APPARATUS INSTALLATION

D-180568 Kit of Parts (Speakerphone)

3.07 To install.

- (1) Proceed as described in 3.18.
- (2) Make connections per appropriate Table B, C, D, or E.
- (3) Mount the kit assembly to the chassis with the screws provided (Fig. 4). Beveled corner of the printed wiring board (PWB) should be at lower right corner.

D-180493 Kit of Parts (Dial Tone Detector and One-Touch Calling Switch)

3.08 To install.

- (1) Remove the housing (3.21), and access PSB terminal board (3.18).
- (2) Insert the board assembly from the back of the set and locate as shown in Fig. 4, such that the two tabs on the board assembly fit into the slots in the chassis.

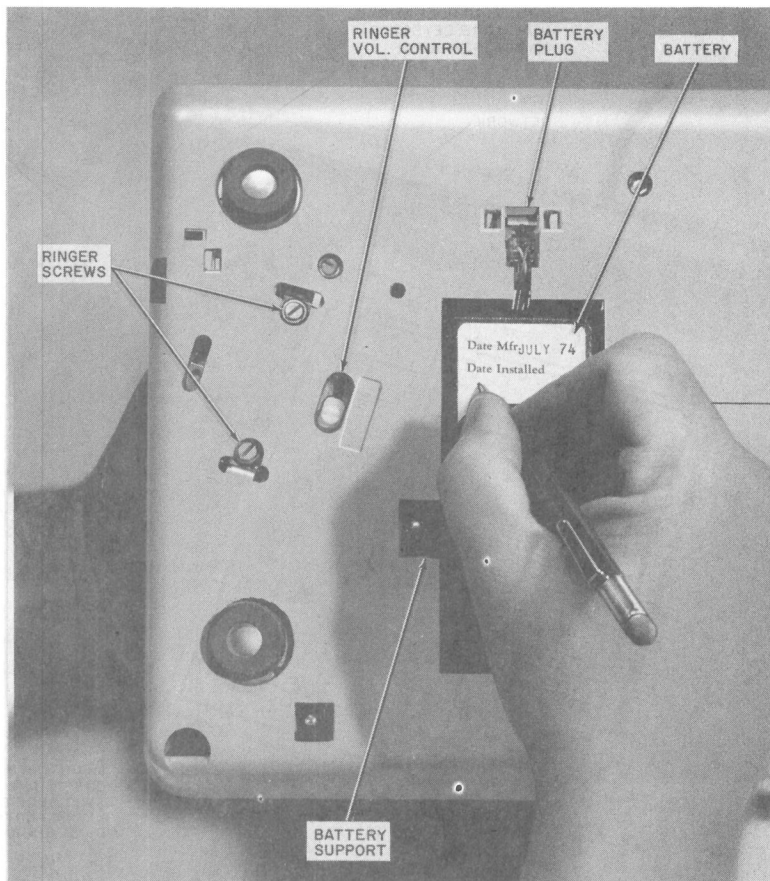


Fig. 5—Telephone Set, Bottom View

- (3) Lock the board into position by inserting the accompanying self-threading screw through the right side of the chassis.
- (4) Mount the one-touch calling switch below the dial with the two screws provided.

Note: If switch for D-180818 Kit of Parts is already present, the one-touch calling switch cannot be installed. The PSB terminals to which the switch leads should be connected (Tables C and E) shall be strapped together.

(The one-touch calling option cannot be turned off by the subscriber.)

- (5) Make connections per Table C, E, or F.
- (6) Break off the detail at the bottom of the cover (Fig. 2) and trim edge as required.
- (7) Verify correct operation of option.
- (8) Reassemble set.

D-180818 Kit of Parts (Record Disable and Dial Intermix Features)**3.09 To install.**

- (1) Remove faceplate (3.19).
- (2) Loosen the captive screw at the bottom of the cover around the dial and remove the cover.
- (3) Disengage the four captive memory mounting screws (Fig. 4).
- (4) Remove the two captive dial mounting screws and move dial aside.
- (5) Rotate left edge of the memory upward as shown by Fig. 3.

Note: If the set is equipped with a 870A Memory, replace it with a 870B Memory and carefully pack and return the old Memory according to local procedures.

- (6) Mount switch below dial using the two screws provided.

Note: If the one-touch calling switch (D-180493 Kit of Parts) has been provided, it must be removed. The PSB terminals to which the switch leads were connected (Table C or E) must be strapped together. (The one-touch calling option can no longer be turned off by the subscriber.)

- (7) Connect switch lead connectors to post terminals on Memory board per Table G.
- (8) With feature switch in OFF position, verify that set operates in normal manner:
 - Numbers can be recorded into memory
 - Numbers can be changed
 - Numbers can be deleted from memory
 - Numbers can be automatically dialed.
- (9) Set feature to ON position and verify feature provided.
 - Record disable feature, only.

- (a) RECORD lamp will not light when RECORD button is depressed.
- (b) No telephone numbers can be recorded, changed, or deleted in memory.
- (c) LAST NUMBER DIALED feature is operative.

- Record disable and dial intermix features.

- (a) RECORD lamp will not light when RECORD button is depressed.
- (b) No telephone numbers can be recorded, changed, or deleted in memory.
- (c) LAST NUMBER DIALED feature is disabled and the LAST NUMBER DIALED position can be utilized just like the other memory positions to store frequently dialed numbers.

- (10) Reassemble set.

KS-20419L1 Buzzer**3.10 To install.**

- (1) Remove faceplate (3.19) and place handset aside.
- (2) Remove handset cradle (3.20).
- (3) Remove screw from buzzer mounting bracket, and mount buzzer on bracket shown in Fig. 3.
- (4) Connect two blue buzzer leads to TB-15 and TB-16 (Fig. 7H), and connect to external 10 volt ac circuit by changing the 623P6 jack connections as follows:
 - (a) With no A-lead control.
 - (1) Move (BK) from TB-1 to TB-15.
 - (2) Move (Y) from TB-2 to TB-16.
 - (3) Connect buzzer power to appropriate terminals of modular connecting block.
 - (b) With A-lead control, use D6AM-87 cord and

- (1) Move (BL) from insulated and stored to TB-15.
- (2) Move (W) from insulated and stored to TB-16.
- (3) Connect buzzer power to appropriate terminals of modular connecting block.
- (5) Reassemble set (3.20 and 3.19).

Plug-Ended Mounting Cord (for conversion of 870A1M to 870A2M telephone set)

3.11 To convert.

- (1) Remove the housing (3.21) and access the PSB terminals (3.18).
- (2) Remove D6AD-87 mounting cord.
- (3) Install the 623P6 jack as shown in Fig. 6.
- (4) Connect the spade-tipped jack leads as follows.
 - (a) (R) wire to TB-4.
 - (b) (G) wire to TB-8.
 - (c) (Y) wire to TB-2.
 - (d) (BK) wire to TB-1.
 - (e) Insulate and store (BL) and (W) conductors.
- (5) Connect (Y) lead of M2SL-87 cord to PSB-24 and the (BK) lead to PSB-25 and route cord through housing.
- (6) Connect the cord to the 95B-type power unit.
- (7) Reassemble the set.
- (8) Install a 625-type connecting block.
- (9) Install the D4BU mounting cord.

Optional Power Connections

- 3.12** In some cases it may be possible and desirable to bring ac power into the set in a nonstandard

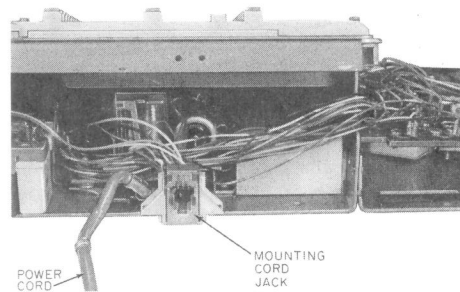


Fig. 6—870A2M Telephone Set, Partial View

manner. The following methods are approved alternatives.

- (a) **870A1M:** A M2SL-87 cord may be used to connect the 95B-type power unit to the telephone set.

- (1) Remove the housing (3.21).
- (2) Disconnect the (G-W) and (W-G) leads of the mounting cord from PSB-24 and PSB-25, and insulate and store.
- (3) Thread the leads of the M2SL cord to the PSB area from the rear of the telephone set.
- (4) Fasten the M2SL cord to the chassis by placing a No. 10-24 by 1/4-inch screw [804216471 (P-421647)] through the hole in the S-hook and into the tapped hole in the chassis located behind the 623P6 jack.
- (5) Connect the (Y) lead to PSB-24 and the (BK) lead to PSB-25.
- (6) Reassemble housing.
- (7) Connect power unit to M2SL cord.

- (b) **870A2M:** The ac power may be wired in at the connecting block and brought to the set via the mounting cord.

- (1) With a D4BU-29 cord (no A-lead capability).

- (a) Disconnect and remove the M2SL-87 cord.
 - (b) Move the (BK) jack lead from TB-1 to PSB-13 and the (Y) lead from TB-2 to PSB-16.
 - (c) Add strap leads from PSB-13 to PSB-24 and from PSB-16 to PSB-25.
 - (d) Connect the power unit to the appropriate terminals of the 625-type connecting block. Power unit shall be installed within 150 feet of telephone set using 24 AWG wire.
- (2) With a D6AM-87 cord.
- (a) Disconnect and remove the M2SL-87 cord.
 - (b) Connect the normally insulated and stored (BL) and (W) jack leads to PSB-13 and PSB-16, respectively.
 - (c) Add strap leads from PSB-13 to PSB-24 and from PSB-16 to PSB-25.
 - (d) Connect the power unit to the appropriate terminals of the 74D connecting block. Power unit shall be installed within 150 feet of telephone set using 24 AWG wire.

Head Telephone Set

3.13 To install.

- (1) Remove housing (3.21).
- (2) Access PSB terminal area (3.18).
- (3) Remove cradle (3.20).
- (4) Thread cord of jackset through hole in rear of housing and make connections per appropriate table provided for Plantronics Jackset.
- (5) Reassemble telephone set.
- (6) Insert head telephone set plug into jackset.

COMPONENT LOCATION AND ACCESS INFORMATION

Location of Components

3.14 The components are located in three areas as follows.

- (a) Under the handset cradle (Fig. 3):
 - Buzzer (optional)
 - Ringer
 - Switchhook assembly
 - Handset jack
 - Terminal board (TB).
- (b) Under the faceplate, inside the set (Fig. 3 and 4):
 - Battery jack (Fig. 3)
 - Power supply board (PSB) terminal area (Fig. 4)
 - Network (Fig. 4)
 - Options (Fig. 4):
 - D-180568 (relay kit for speakerphone)
 - D-180493 (dial tone detector and one-touch calling switch kit)
 - D-180818 (record disable and dial intermix features kit).
- (c) Bottom of telephone set (Fig. 5):
 - Battery.

Mounting Cord

3.15 The D6AD-87 mounting cord (870A1M) is spade-tip ended at both ends. The conductors provide for tip, ring, ac power, and A-lead control.

3.16 The D4BU-29 plug-ended mounting cord (870A2M) conductors provided for tip, ring, and A-lead control.

Note: If two extra leads are required, a D6AM-87 cord may be used.

Network Terminals**3.17** For access to the network terminals.

- (1) Remove the faceplate (3.19).
- (2) Loosen the captive cover screw at the bottom of the white cover around the dial (Fig. 2).
- (3) Remove the cover.
- (4) To replace the cover, the three tabs of the cover (one at the top center and one at each side just above the dial) must be aligned with holes in the chassis before the screw is refastened. Failure to do this will result in improper seating of the faceplate.

Power Supply Board (PSB) Terminals**3.18** To access the terminal field on the power supply board, proceed as follows.

- (1) Remove the faceplate (3.19).
- (2) Loosen the captive cover screw at the bottom of the white cover around the dial (Fig. 2).
- (3) Remove the cover.
- (4) Remove the two screws that hold the dial in place.
- (5) Gently raise the dial and move it aside.
- (6) To reassemble; reverse procedure.
- (7) To replace the cover, the three tabs of the cover (one at the top center and one at each side just above the dial) must be aligned with holes in the chassis before the screw is refastened. Failure to do this will result in improper seating of the faceplate.

Faceplate Removal**3.19** This will differ depending on faceplate being used.

- (a) The 870B1-type faceplate is held in place by a spring clip attached to the 870A1U upper housing. To disengage the faceplate, lift up on the tab which protrudes from the center of the back edge of the faceplate.

Note: The 870B1 faceplate is not a direct replacement for the 870A2-87 faceplate. An 870A1U upper housing is also required with the 870B1 faceplate (6.10).

- (b) The 870A2-87 faceplate is held in place by two snaps bonded to the faceplate and aligned to fit holes in the chassis. To remove the faceplate, grasp it by any convenient edges and lift.

Handset Cradle Removal**3.20** To remove the handset cradle from the housing, proceed as follows.

- (1) Remove the faceplate (3.19), and place the handset aside.
- (2) Remove upper housing, if provided [3.21(b)].
- (3) Disengage the captive cradle screws located in the two tabs on the cradle.
- (4) Lift the cradle by pulling up on the plunger, and remove.
- (5) Replace the handset cradle by sliding it sideways to engage the clips with the mating tabs in the side of the housing.

Caution: *The plunger must be held from the top side of the cradle as it is slid into position to prevent damage to the switchhook arm.*

- (6) Refasten the captive cradle screws.

Housing Removal**3.21** To remove, proceed as follows.

- (1) **Lower housing.**
 - (1) Unplug the handset cord, at the telephone set end and remove handset.
 - (2) Unplug the mounting cord (870A2M).
 - (3) Remove the faceplate (3.19).
 - (4) Remove upper housing if provided [3.21(b)].
 - (5) Remove the handset cradle (3.20).

Caution: Attempting to remove the housing without removing the handset cradle may damage the switchhook arm.

- (6) Disengage the captive housing screws (Fig. 2) located in the extreme upper and lower edges of the chassis.
- (7) Separate the housing from the telephone set base.
- (8) Disconnect the 95B-type power unit from the M2SL-87 cord, if required (870A2M).
- (9) Feed mounting cord through hole in bottom of housing as housing is removed.
- (10) Before replacing the housing, lift the set to check that the shoulders of the battery jack are against the two tabs on the chassis. Misalignment may cause the bottom of the housing to bow.
- (11) When replacing the housing, keep the handset jack from being trapped between the housing and chassis.

(b) **Upper housing.**

- (1) Remove the faceplate (3.19).
- (2) Disengage the captive housing screws located in each corner of the upper housing (Fig. 2). This will release the lower housing.
- (3) Pull the upper housing away from the chassis as each housing screw is backed out. This will separate the upper housing from the chassis.
- (4) If necessary, thread screws out of housing.
- (5) To reassemble, reverse procedure.

4. CONNECTIONS

- 4.01 Telephone set connections are shown in Fig. 7.
- 4.02 Refer to Table A for connection reference for all options.
- 4.03 A partial functional schematic is shown in Fig. 10.

Caution: Telephone sets are factory-wired for A-lead control. If set is installed in a location where dial-light service is provided, the A and A1 leads must be disconnected, insulated, and stored at the connecting block to prevent shorting out of dial light transformer.

5. OPERATION

Record A Number Into Memory

5.01 To record.

- (1) Remove the faceplate (3.19).
- (2) Write or type the desired name and telephone number for a selected memory button on the associated position of the directory sheet.
- (3) Replace the directory sheet and faceplate.
- (4) Depress the RECORD button. The RECORD lamp adjacent to the RECORD button will light. (A number can be called and recorded simultaneously by lifting handset before depressing the RECORD button.)

Note: If set is equipped with D-180818 Kit of Parts, switch must be in the OFF position.

- (5) Depress the specific memory button adjacent to the desired telephone number listed on the directory sheet.
- (6) Manually dial the desired telephone number.

Note: If an access code and pause for second dial tone are required.

- (a) Dial the access digit(s) for the outside line.
- (b) Push the WAIT button after RECORD lamp relights. (The WAIT entry counts as one digit.)
- (c) Dial the telephone number.

Note: A number up to 15 digits in length may be recorded. The RECORD lamp will go out momentarily as each digit is dialed. If exactly 15 digits are recorded, the RECORD lamp will go out and stay out, indicating that

the dialer has been reset. If a memory button has not been depressed the RECORD lamp will go out when the first digit is dialed and recording operation will be voided.

- (7) Depress the RECORD OFF button if less than 15 digits are recorded. The RECORD lamp will go out. The dialer will be reset. The number is now stored in the selected memory. The dialer will also be reset by a switchhook or speakerphone operation.

Change A Number In Memory

Note: If set is equipped with D-180818 Kit of Parts, switch must be in OFF position.

- 5.02** Whenever a new number is recorded, in a previously used memory position, it will automatically replace the previously stored number.

Delete A Number From Memory

Note: If set is equipped with D-180818 Kit of Parts, switch must be in OFF position.

- (1) Depress the RECORD button.
- (2) Depress the memory button corresponding to the name and number to be deleted.
- (3) Depress the RECORD OFF button.

Automatically Dial A Number From Memory

- 5.04** To automatically dial a number.

- (a) For factory-wired sets, go off-hook, listen for dial tone, and depress the desired memory button. If WAIT input has been recorded, automatic dialing will stop. When second dial tone is heard, depress the memory button again to complete automatic dialing.
- (b) For sets equipped with the dial tone detector only, go off-hook, listen for dial tone, and depress the memory button.
- (c) For sets equipped with the one-touch calling option (with speakerphone and dial tone detector), simply depress the memory button.

LAST NUMBER DIALED Feature

Note: If set is equipped with D-180818 Kit of Parts, and dial intermix feature is provided, the switch must be in OFF position.

- 5.05** The TOUCH-A-MATIC telephone set automatically records into the LAST NUMBER DIALED position (Fig. 1) any number called using the standard telephone dial. Each number in the LAST NUMBER DIALED position is automatically replaced by the next number manually dialed. Although the unit is recording, the RECORD lamp does not light at any time during this operation.

- 5.06** Operation of LAST NUMBER DIALED feature.

- (a) With no access digit(s) required.
 - (1) Go off-hook.
 - (2) Listen for dial tone.
 - (3) Manually dial telephone number.
 - (4) To redial same number automatically.
 - (a) For factory-wired sets, go off-hook, listen for dial tone, and depress LAST NUMBER DIALED button.
 - (b) For sets equipped with the dial tone detector only, go off-hook, listen for dial tone, and depress the LAST NUMBER DIALED button.
 - (c) For sets equipped with the one-touch calling option (with speakerphone and dial tone detector), depress the LAST NUMBER DIALED button.
- (b) When an access code and pause for second dial tone are required.
 - (1) Go off-hook.
 - (2) Listen for dial tone.
 - (3) Dial access digit(s).
 - (4) Depress WAIT button after second dial tone is heard.

- (5) Manually dial telephone number.
- (6) To redial same number automatically.
 - (a) For factory-wired sets, go off-hook, listen for dial tone, and depress LAST NUMBER DIALED button. Automatic dialing will stop at the recorded *wait* input. When second dial tone is heard, depress LAST NUMBER DIALED button again to complete dialing.
 - (b) For sets equipped with the dial tone detector only, go off-hook, listen for dial tone, and depress the LAST NUMBER DIALED button.
 - (c) For sets equipped with the one-touch calling option (with speakerphone and dial tone detector), depress the LAST NUMBER DIALED button.

6. MAINTENANCE

6.01 In case of power failure, the automatic dialing feature cannot be used. The battery retains the number associated with each of the memory buttons for at least 24 hours. If power loss exceeds 24 hours, the numbers may have to be rerecorded.

Trouble Analysis

- 6.02** When trouble is encountered, the subsequent procedure should be followed.
- (1) Confirm improper operation either as a basic telephone set or as an automatic dialer (Part 5).
 - (2) Check for improper connections.
 - (3) Refer to Table H and the following paragraphs.
 - (4) If removal of the telephone set is required, do the following.
 - (a) Disconnect telephone set.
 - (b) Unplug the battery.
 - (c) Place the plug sideways into the housing slot below the battery jack and tape in place.

Caution: Failure to restrain plug can result in plug damage necessitating battery replacement.

Battery

6.03 The KS-20390L2 or L4 battery has an expected life of about 4 years. It can be replaced without loss of memory provided that commercial ac power to the set is continuously maintained. To replace the battery, proceed as follows (Fig. 5).

- (1) Tilt the front of the set up.
- (2) Unplug the battery.
- (3) Loosen captive screw on the battery support.
- (4) Remove battery support.
- (5) Remove battery.
- (6) Install new battery.
- (7) When battery has been connected at least five minutes, check memory retention by momentarily disconnecting ac power and then automatically dialing a prerecorded telephone number.

Memory

6.04 The Memory may be replaced in the following manner (Fig. 3).

Note: Removal of the Memory results in loss of the stored telephone numbers.

- (1) Remove the faceplate (3.19).
- (2) Loosen the four captive Memory mounting screws.
- (3) Rotate the left edge of the Memory upward as shown in Fig. 3.
- (4) Disengage the connector by pulling on it perpendicular to the printed wiring board.
- (5) Replace the Memory. The connector is keyed; one position is filled and should fit over the vacant position in the row of pins. The cable from the connector should not be

twisted. It should form a loop as shown in Fig. 3 when connected to the board.

(6) Reassemble telephone set.

(7) Test per 3.06.

Dial

6.05 To replace.

- (1) Access PSB terminal area [3.18 (1) through (5)].
- (2) Disconnect dial leads and remove dial.
- (3) To install a new dial, reverse the previous steps.

Ringer

6.06 To replace.

- (1) Remove the faceplate (3.19) and place handset aside.
- (2) Remove the upper housing, if provided [3.21(b)].
- (3) Remove the cradle (3.20).
- (4) Disconnect the ringer leads (Fig. 7H).
- (5) Tilt the front of the set up.
- (6) Unfasten ringer mounting screws (Fig. 5).
- (7) Remove ringer.
- (8) Install new ringer. The leads should be routed as shown in Fig. 3 to prevent contact with the gong and subsequent damping of the ringer output. Dial ringback code to test ringer.
- (9) Reassemble set [3.20, 3.21(b), and 3.19].

Buzzer (optional)

6.07 To replace.

- (1) Remove the faceplate (3.19), and place handset aside.

(2) Remove the upper housing, if provided [3.21(b)].

(3) Remove the cradle (3.20).

(4) Remove the buzzer mounting screw.

(5) Remove buzzer leads from the TB-15 and TB-16.

(6) Install new buzzer.

(7) Reassemble telephone set [3.20, 3.21(b), and 3.19].

Handset Jack (616B)

6.08 To replace.

- (1) Remove the faceplate (3.19), and place handset aside.
- (2) Remove the upper housing, if provided [3.21(b)].
- (3) Remove the cradle (3.20).
- (4) Disconnect the handset jack leads and remove jack.
- (5) Install new 616B handset jack.
- (6) Reassemble telephone set [3.20, 3.21(b), and 3.19].

Handsets

6.09 A defective G15A handset may be replaced or changed to a modular amplifying handset (G6BM, G7BM, or G8BM) by unplugging the H4DU cord and inserting it into the new handset. To replace the G15A handset with a nonmodular amplifying handset (G6B, G7B, or G8B) proceed as follows.

- (1) Unplug H4DU handset cord at telephone set end.
- (2) Remove faceplate (3.19), and place handset aside.
- (3) Remove the upper housing, if provided [3.21(b)].

- (4) Remove handset cradle (3.20).
- (5) Disconnect 616B handset jack (6.08). (Jack may be removed or stored just to right of ringer.)
- (6) Insert spade-tipped end of handset cord through hole in the side of the housing.
- (7) Attach stayband hook to chassis (Fig. 3).
- (8) Route leads through wire guide as shown in Fig. 3.
- (9) Make connections (Fig. 7H).
- (10) Reassemble set [3.20, 3.21(b), and 3.19].

Faceplate

- 6.10** To replace a 870A2-87 faceplate with a 870B1-type faceplate.
- (1) Remove the 870A2-87 faceplate by lifting up on any of its edges.

- (2) Remove the four captive housing screws (Fig. 2) from the chassis.
- (3) Use the four housing screws to mount the 870A1U upper housing to the chassis and 870A1 housing. The three parts should be held together tightly as the screws are driven.
- (4) Place the two tabs located along the lower edge of the 870B1 faceplate in the notches in the lower side of the 870A1U upper housing.
- (5) Lower the faceplate to rest on the memory. The spring clip located in the center of the upper side of the upper housing should retain the faceplate.

Speakerphone

- 6.11** For maintenance information on the 3B (MD) or 4A speakerphone systems, refer to Sections 512-620-100 or 512-700-100, respectively.
- 6.12** For speakerphone connections, use applicable Tables B through E.

TABLE B

CONNECTIONS – 870A1M OR 870A2M TELEPHONE SET WITH 3B SPEAKERPHONE

| APPARATUS | CORD OR WIRE | LEAD | | CONNECT | | | | | | | | |
|--------------|----------------------------------------------------|----------|-------|---------|----|---------------------------|---------|-----|------------------------|-----|-----|---|
| | | | | FROM | | TO | | | | | | |
| | | DESIG | COLOR | TEL SET | | 44-TYPE BLOCK TERM. | TEL SET | | CONTROL UNIT (NOTE) | | | |
| | | | | PSB | TB | | PSB | 55A | 55B | | | |
| Tel Set | Mtg Cord D6AD-87 (870A1M) | R | BL-W | | | | | 1 | | | | |
| | | T | W-BL | | | | | 2 | | | | |
| | | A1 | O-W | | | | | 4 | | | | |
| | | A | W-O | | | | | 5 | | | | |
| | | AC1 | G-W | | | | | 6 | | | | |
| | | AC2 | W-G | | | | | 7 | | | | |
| | 623P6 Jack Assy (870A2M) ‡ | Spare | W | | | | | | | | | |
| | | A | BK | | | | | | | | | |
| | | R | R | | | | | | | | | |
| | | T | G | | | | | | | | | |
| | | A1 | Y | | | | | | | | | |
| | | Spare | BL | | | | | | | | | |
| | Speakerphone Interconnection Cord D10R-87 | R1 | BL-W | 9 | | | | | | 28 | 10 | |
| | | T1 | W-BL | 2 | | | | | | 19 | 1 | |
| | | LK | O-W | 27 | | | | | | 11 | 35 | |
| | | A1 | W-BR | | 2 | | | | | 12 | 2 | |
| | | SPO | S-W | 21 | | | | | | * | * | |
| | | AG | W-O | | 1 | | | | | 5 | 11 | |
| | | P3 | W-G | 3 | | | | | | 21 | 4 | |
| | | P4 | G-W | 6 | | | | | | 30 | 13 | |
| | | Spare | BR-W | | | | | | | * | * | |
| | | Spare | W-S | | | | | | | * | * | |
| | D-180568 Kit of Parts | | Shi | G-W | | | | | | 14 | | |
| | | | VDD | W-G | | | | | | 17 | | |
| | | | SHa | R-BL | | | | | | 26 | | |
| | | | LK | BL-R | | | | | | 27 | | |
| | 666B Trmtr | T7A Cord | M1 | S-BK | | | | | | | 4 | 7 |
| | | | P1 | BL-R | | | | | | | 13 | 8 |
| -15V | | | BK-S | | | | | | | 14 | 16 | |
| S | | | O-BK | | | | | | | 3 | 18 | |
| A1 | | | Y-O | | | | | | | 29 | 19 | |
| F1 | | | G-Y | | | | | | | 2 | 17 | |
| LK | | | BK-O | | | | | | | 11 | 35 | |
| 760A LSPK | R2FK Cord | SP1 | G | | | | | | | 34 | 20 | |
| | | SP2 | R | | | | | | | 33† | 29† | |

TABLE B (Cont)

CONNECTIONS – 870A1M OR 870A2M TELEPHONE SET WITH 3B SPEAKERPHONE

| APPARATUS | CORD OR WIRE | LEAD | | CONNECT | | | | | |
|----------------------------------|-------------------|-------|-------|---------|----|---------------------------|---------|------------------------|-----|
| | | | | FROM | | TO | | | |
| | | DESIG | COLOR | TEL SET | | 44-TYPE BLOCK TERM. | TEL SET | CONTROL UNIT (NOTE) | |
| | | | | PSB | TB | | PSB | 55A | 55B |
| 95B-Type PWR Unit (870A1M) | D-Station Wire | AC1 | | | | 6 | | | |
| | | AC2 | | | | 7 | | | |
| 95B-Type PWR Unit (870A2M) | M2SL-87 Cord | AC1 | Y | | | | 24 § | | |
| | | AC2 | BK | | | | 25 § | | |
| 2012B Trnsf | D-Station Wire | AC1 | | | | | | 27 | 27 |
| | | AC2 | | | | | | 36 | 36 |

* Insulate and store.

† To reduce loudspeaker volume, move SP2 lead to terminal 24 (55A) or 30 (55B).

‡ Accepts D4BU or D6AM mounting cord which connects set to modular connecting block.

§ Connected at Factory.

Note: Strap terminals 20 and 21 (55A) or 4 and 5 (55B).

TABLE C

CONNECTIONS - 870A1M OR 870A2M TELEPHONE SET WITH ONE-TOUCH CALLING
(DIAL TONE DETECTOR AND 3B SPEAKERPHONE)

| APPARATUS | CORD OR WIRE | LEAD | | TEL SET REMOVE FROM PSB | CONNECT | | | | | | | |
|------------------|---------------------------------------------|-----------------------|--------------------|-------------------------|---------|---|---------------------|-------------|---------------------|----|----|--|
| | | | | | FROM | | TO | | | | | |
| | | | | | TEL SET | | 44-TYPE BLOCK TERM. | TEL SET PSB | CONTROL UNIT (NOTE) | | | |
| | | PSB | TB | 55A | 55B | | | | | | | |
| 870-Type Tel Set | Mtg Cord D6AD-87 (870A1M) | R | BL-W | | | | 1 | | | | | |
| | | T | W-BL | | | | 2 | | | | | |
| | | A1 | O-W | | | | 4 | | | | | |
| | | A | W-O | | | | 5 | | | | | |
| | | AC1 | G-W | | | | 6 | | | | | |
| | | AC2 | W-G | | | | 7 | | | | | |
| | 623P6 Jack Assy (870A2M) ‡ | Spare | W | | | | | | | | | |
| | | A | BK | | | | | | | | | |
| | | R | R | | | | | | | | | |
| | | T | G | | | | | | | | | |
| | | A1 | Y | | | | | | | | | |
| | | Spare | BL | | | | | | | | | |
| | Speaker-phone Inter-connection Cord D10R-87 | R1 | BL-W | | 9 | | | | | 28 | 10 | |
| | | T1 | W-BL | | 2 | | | | | 19 | 1 | |
| | | LK | O-W | | 27 | | | | | 11 | 35 | |
| | | A1 | W-BR | | | 2 | | | | 12 | 2 | |
| | | SPO | S-W | | 21 | | | | | 3 | 18 | |
| | | AG | W-O | | | 1 | | | | 5 | 11 | |
| | | P3 | W-G | | 3 | | | | | 21 | 4 | |
| | | P4 | G-W | | 6 | | | | | 30 | 13 | |
| | | Spare | BR-W | | | | | | | * | * | |
| | | Spare | W-S | | | | | | | * | * | |
| | | Strap | BK | | 11 | | | | | * | | |
| | | | BK | | 18 | | | | | * | | |
| | | | BK | | 23 | | | | | * | | |
| | | D-180493 Kit of Parts | Dial Tone Detector | Input | G-R | | | | | 2 | | |
| | PB | | | O-BK | | | | | 7 | | | |
| | Input | | | G-R | | | | | 9 | | | |
| | DT | | | O-Y | | | | | 11 | | | |
| | VDD | | | R-O | | | | | 17 | | | |
| | SPR | | | Y-BL | | | | | 18 | | | |
| | DR | | | Y-O | | | | | 19 | | | |

TABLE C (Cont)

**CONNECTION – 870A1M OR 870A2M TELEPHONE SET WITH ONE-TOUCH CALLING
(DIAL TONE DETECTOR AND 3B SPEAKERPHONE)**

| APPARATUS | CORD OR WIRE | LEAD | | TEL SET REMOVE FROM PSB | CONNECT | | | | | |
|------------------------------|---------------------------|-------|-------|-------------------------|---------|----|---------------------|-------------|---------------------|------|
| | | DESIG | COLOR | | FROM | | TO | | | |
| | | | | | TEL SET | | 44-TYPE BLOCK TERM. | TEL SET PSB | CONTROL UNIT (NOTE) | |
| | | | | | PSB | TB | | | 55A | 55B |
| D-180493 Kit of Parts (Cont) | Dial Tone Detector (Cont) | COM | BK-O | | | | | 20 | | |
| | | SPO | G-Y | | | | | 21 | | |
| | | PL | O-R | | | | | 22 | | |
| | | DTT | BL-Y | | | | | 23 | | |
| | | LK | Y-G | | | | | 27 | | |
| | Switch† | S1 | S | | | | | 15 | | |
| | | S2 | S | | | | | 20 | | |
| D-180568 Kit of Parts | | SHi | G-W | | | | | 14 | | |
| | | VDD | W-G | | | | | 17 | | |
| | | SHa | R-BL | | | | | 26 | | |
| | | LK | BL-R | | | | | 27 | | |
| | | | | | | | | | | |
| 666B Trmtr | T7A Cord | M1 | S-BK | | | | | | 4 | 7 |
| | | P1 | BL-R | | | | | | 13 | 8 |
| | | -15V | BK-S | | | | | | 14 | 16 |
| | | S | O-BK | | | | | | 3 | 18 |
| | | A1 | Y-O | | | | | | 29 | 19 |
| | | F1 | G-Y | | | | | | 2 | 17 |
| | | LK | BK-O | | | | | | 11 | 35 |
| 760A LSPK | R2FK Cord | SP1 | G | | | | | | 34 | 20 |
| | | SP2 | R | | | | | | 33 § | 29 § |
| 95B-Type Pwr Unit (870A1M) | D-Station Wire | AC1 | | | | | 6 | | | |
| | | AC2 | | | | | 7 | | | |
| 95B-Type Pwr Unit (870A2M) | M2SL-87 Cord | AC1 | Y | | | | | 24 ¶ | | |
| | | AC2 | BK | | | | | 25 ¶ | | |
| 2012B Transf | D-Station Wire | AC1 | | | | | | | 27 | 27 |
| | | AC2 | | | | | | | 36 | 36 |

* Insulate and store.

† One touch calling switch must be set to ON position.

‡ Accepts D4BU or D6AM mounting cord which connects set to modular connecting block.

§ To reduce loudspeaker volume move SP2 lead to terminal 24 (55A) or 30 (55B)

¶ Connected at factory.

Note: Strap terminals 20 and 21 (55A) or 4 and 5 (55B).

TABLE D

CONNECTIONS – 870A1M OR 870A2M TELEPHONE SET WITH 4A SPEAKERPHONE

| APPARATUS | CORD OR WIRE | LEAD | | CONNECT TO | | | | |
|----------------------------|---------------------------|-------|-------|--------------------|---------|----|--------------|--|
| | | DESIG | COLOR | 44-TYPE BLK. TERM. | TEL SET | | 223D ADAPTER | |
| | | | | | PSB | TB | | |
| Tel Set | Mtg Cord D6AD-87 (870A1M) | R | BL-W | 1 | | | | |
| | | T | W-BL | 2 | | | | |
| | | A1 | O-W | 4 | | | | |
| | | A | W-O | 5 | | | | |
| | | AC1 | G-W | 6 | | | | |
| | | AC2 | W-G | 7 | | | | |
| | 623P6 Jack Assy (870A2M)‡ | Spare | W | | | | | |
| | | A | BK | | | | | |
| | | R | R | | | | | |
| | | T | G | | | | | |
| | | A1 | Y | | | | | |
| | | Spare | BL | | | | | |
| | D-180568 Kit of Parts | | SHi | G-W | | 14 | | |
| | | | VDD | W-G | | 17 | | |
| | | SHa | R-BL | | 26 | | | |
| | | LK | BL-R | | 27 | | | |
| 223D Adapter | M16H Cord ¶ | AC | R-G | | * | | | |
| | | AC | G-R | | * | | | |
| | | LK | O-W | | 27 | | | |
| | | SPO | O-R | | 21 | | | |
| | | Spare | R-O | | * | | | |
| | | K5M | BR-W | | * | | | |
| | | P3 | W-G | | 3 | | | |
| | | P4 | G-W | | 6 | | | |
| | | T1 | W-BL | | 2 | | | |
| | | R1 | BL-W | | 9 | | | |
| | | K4C | S-W | | * | | | |
| | | K5C | W-S | | * | | | |
| | | K4B | BL-R | | * | | | |
| | | K5B | R-BL | | * | | | |
| | | AG | W-O | | | 1 | | |
| A1 | W-BR | | | 2 | | | | |
| 95B-Type Pwr Unit (870A1M) | D-Station Wire | AC1 | | 6 | | | | |
| | | AC2 | | 7 | | | | |
| 95B-Type Pwr Unit (870A2M) | M2SL-87 Cord | AC1 | Y | | 24 § | | | |
| | | AC2 | BK | | 24 § | | | |

TABLE D (Cont)

CONNECTIONS – 870A1M OR 870A2M TELEPHONE SET WITH 4A SPEAKERPHONE

| APPARATUS | CORD OR WIRE | LEAD | | CONNECT TO | | | |
|------------------|-----------------|-------|-------|----------------------|---------|----|--------------------------|
| | | DESIG | COLOR | 44-TYPE BLK. TERM | TEL SET | | 223D ADAPTER |
| | | | | | PSB | TB | |
| 680-Type Trmtr | D8S Cord | | | | | | Plugs into Adapter |
| 108-Type LSPK | D20N Cord | | | | | | |
| 85B1 Pwr Unit | M2FG Cord† | AC1 | BK | | | | |
| | | AC2 | Y | | | | |

* Insulate and store.

† Only (Y) and (BK) leads are terminated in plug of M2FG cord.

‡ Accepts D4BU of D6AM mounting cord which connects set to modular connecting block.

§ Connected at factory.

¶ To provide strain relief, the S-hook of the M16H cord shall be retained by the screw in the telephone set already used to retain the D6AD-87 cord (870A1M) or the M2SL-87 cord (870A2M).

TABLE E

CONNECTIONS – 870A1M OR 870A2M TELEPHONE SET WITH ONE-TOUCH CALLING
(DIAL TONE DETECTOR AND 4A SPEAKERPHONE)

| APPARATUS | CORD OR WIRE | LEAD | | TEL SET REMOVE FROM PSB | CONNECT TO | | | | |
|--------------------------|---------------------------------|--------------------------|-------|----------------------------------|---------------------------|---------|--|-----------------|----|
| | | DESIG | COLOR | | 44-TYPE BLOCK TERM. | TEL SET | | 223D ADAPTER | |
| | | | | PSB | | TB | | | |
| Tel Set | Mtg Cord D6AD-87 (870A1M) | R | BL-W | | 1 | | | | |
| | | T | W-BL | | 2 | | | | |
| | | A1 | O-W | | 4 | | | | |
| | | A | W-O | | 5 | | | | |
| | | AC1 | G-W | | 6 | | | | |
| | | AC2 | W-G | | 7 | | | | |
| | 623P6 Jack Assy (870A2M)‡ | Spare | W | | | | | | |
| | | A | BK | | | | | | |
| | | R | R | | | | | | |
| | | T | G | | | | | | |
| | | A1 | Y | | | | | | |
| | Spare | BL | | | | | | | |
| | Strap | BK | | | | | | 11 | * |
| | Strap | BK | | | | | | 18 | * |
| | D-180493 Kit of Parts | Dial Tone Detector | Input | G-R | | | | | 2 |
| | | | PB | O-BK | | | | | 7 |
| | | | Input | G-R | | | | | 9 |
| | | | DT | O-Y | | | | | 11 |
| VDD | | | R-O | 17 | | | | | |
| SPR | | | Y-BL | 18 | | | | | |
| DR | | | Y-O | 19 | | | | | |
| COM | | | BK-O | 20 | | | | | |
| SPO | | | G-Y | 21 | | | | | |
| PL | | | O-R | 22 | | | | | |
| DTT | | | BL-Y | 23 | | | | | |
| LK | | | Y-G | 27 | | | | | |
| Switch‡ | | S1 | S | | | | | 15 | |
| | | S1 | S | | | | | 20 | |
| D-180568 Kit of Parts | | SHi | G-W | | | | | 14 | |
| | | VDD | W-G | | | | | 17 | |
| | | SHa | R-BL | | | | | 26 | |
| | | LK | BL-R | | | | | 27 | |

TABLE E (Cont)

CONNECTIONS – 870A1M OR 870A2M TELEPHONE SET WITH ONE-TOUCH CALLING
(DIAL TONE DETECTOR AND 4A SPEAKERPHONE)

| APPARATUS | CORD OR WIRE | LEAD | | TEL SET | CONNECT TO | | | |
|----------------------------|----------------|-------|-------|-----------------|---------------------|---------|----|--------------------|
| | | DESIG | COLOR | REMOVE FROM PSB | 44-TYPE BLOCK TERM. | TEL SET | | 223D ADAPTER |
| | | | | | | PSB | TB | |
| 223D Adapter | M16H Cord | AC | R-G | | | * | | |
| | | AC | G-R | | | * | | |
| | | LK | O-W | | | 27 | | |
| | | SPO | O-R | | | 21 | | |
| | | Spare | R-O | | | * | | |
| | | K5M | BR-W | | | * | | |
| | | P3 | W-G | | | 3 | | |
| | | P4 | G-W | | | 6 | | |
| | | T1 | W-BL | | | 2 | | |
| | | R1 | BL-W | | | 9 | | |
| | | K4C | S-W | | | * | | |
| | | K5C | W-S | | | * | | |
| | | K4B | BL-R | | | * | | |
| | | K5B | R-BL | | | * | | |
| | | AG | W-O | | | | 1 | |
| A1 | W-BR | | | | 2 | | | |
| 95B-Type Pwr Unit (870A1M) | D-Station Wire | AC1 | | | 6 | | | |
| | | AC2 | | | 7 | | | |
| 95B-Type Pwr Unit (870A2M) | M2SL-87 Cord | AC1 | Y | | | 24 ¶ | | |
| | | AC2 | BK | | | 25 ¶ | | |
| 680-Type Trmtr | D8S Cord | | | | | | | Plugs into Adapter |
| 108-Type LSPK | D20N Cord | | | | | | | |
| 85B1 Pwr Unit | M2FG Cord§ | AC | BK | | | | | |
| | | AC | Y | | | | | |

* Insulate and store

† One touch calling switch must be set to ON position.

‡ Accepts D4BU or D6AM mounting cord which connects set to modular connecting block.

§ (Y) and (BK) leads only are terminated in plug of M2FG cord.

¶ Connected at factory.

TABLE F

CONNECTIONS – 870A1M OR 870A2M TELEPHONE SET WITH
DIAL TONE DETECTOR (NOTE 1)

| APPARATUS | CORD OR WIRE | LEAD | | TEL SET | | | |
|------------------------------|---------------------------|--------------------|-------|-----------------|-------------|--------------------|---|
| | | DESIG | COLOR | REMOVE FROM PSB | CONNECT TO | | |
| | | | | | TEL SET PSB | 44-TYPE BLK. TERM: | |
| Tel Set | Mtg Cord D6AD-87 (870A1M) | R | BL-W | | | 1 | |
| | | T | W-BL | | | 2 | |
| | | A1 | O-W | | | 4 | |
| | | A | W-O | | | 5 | |
| | | AC1 | G-W | | | 6 | |
| | | AC2 | W-G | | | 7 | |
| | 623P6 Jack Assy (870A2M)‡ | Spare | W | | | | |
| | | A | BK | | | | |
| | | R | R | | | | |
| | | T | G | | | | |
| | | A1 | Y | | | | |
| | | Strap | BK | | 11 | * | |
| | | Strap | BK | | 23 | * | |
| | D-180493 Kit of Parts | Dial Tone Detector | Input | G-R | | | 2 |
| PB | | | O-BK | | | 7 | |
| Input | | | G-R | | | 9 | |
| LK | | | Y-G | | | * | |
| DT | | | O-Y | | | 11 | |
| VDD | | | R-O | | | 17 | |
| DR | | | Y-O | | | 19 | |
| COM | | | BK-O | | | 20 | |
| PL | | | O-R | | | 22 | |
| DTT | | | BL-Y | | | 23 | |
| SPR | | | Y-BL | | | * | |
| SFO | | | G-Y | | | * | |
| Switch (Note 2) | | S1 | S | | | 15 | |
| | S2 | S | | | 15 | | |
| 95B-Type Power Unit (870A1M) | D-Station Wire | AC1 | | | | 6 | |
| | | AC2 | | | | 7 | |
| 95B-Type Power Unit (870A2M) | M2SL-87 Cord | AC1 | Y | | | 24† | |
| | | AC2 | BK | | | 25† | |

* Insulate and store

† Connected at factory.

‡ Accepts D4BU or D6AM mounting cord which connects set to modular connecting block.

Note 1: May be used for installations where first dial tone is not precise (350 Hz and 440 Hz), but all subsequent dial tones are precise.

Note 2: Switch is not required.

TABLE G

CONNECTIONS FOR D-180818 KIT OF PARTS

| D-KIT SWITCH LEADS | | TERMINAL POSTS FOR SWITCH LEAD CONNECTORS (NOTE 3) | |
|-----------------------|-------------------|-------------------------------------------------------|---------------------------------------------------------|
| DESIG. | COLOR (NOTE 1) | RECORD DISABLE ONLY | RECORD DISABLE AND DIAL INTERMIX FEATURE (NOTE 2) |
| WDC | BK † | * | 1 |
| VDD | R | 2 | 2 |
| RCRD | BK | 3 | 3 |

* Insulate and store.

† Single position connector.

Notes:

1. These are connectors attached to the switch leads.
A single position connector with a (BK) lead and
a double position connector with a (R) and (BK)
lead.
2. When this option is provided the last number
dialed (LND) feature is disabled and the 32nd
memory may be used just like any other memory.
3. These posts are on the 870B memory PWB (Fig. 3).

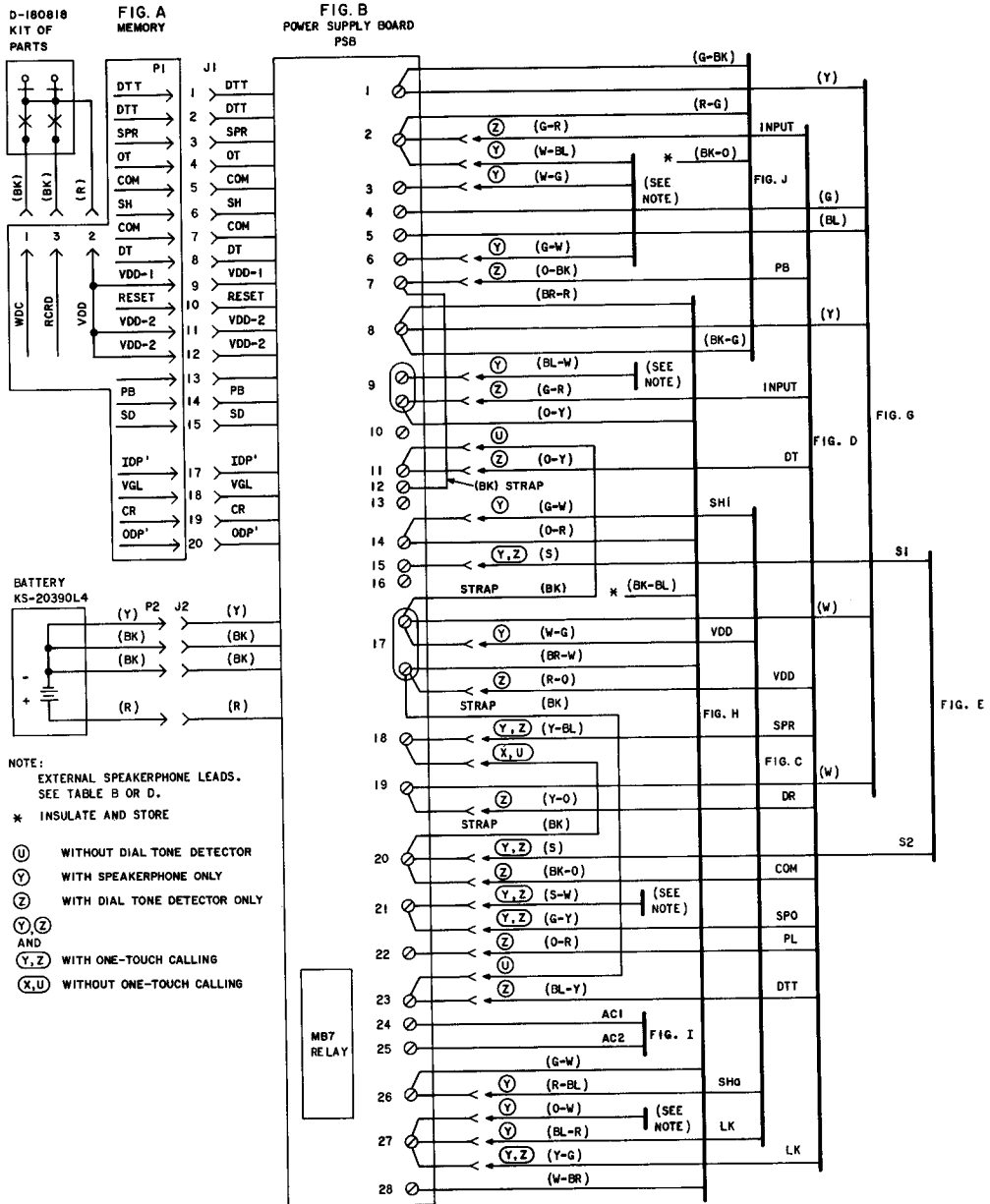


Fig. 7—Telephone Set, Connections (Sheet 1 of 3)

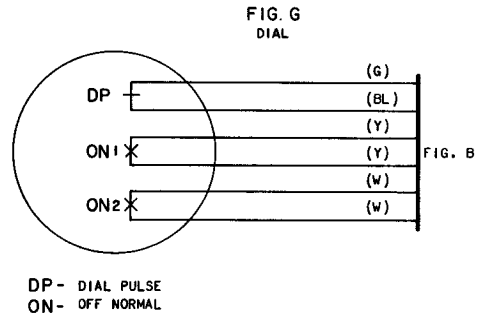
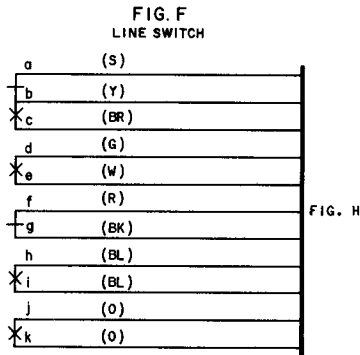
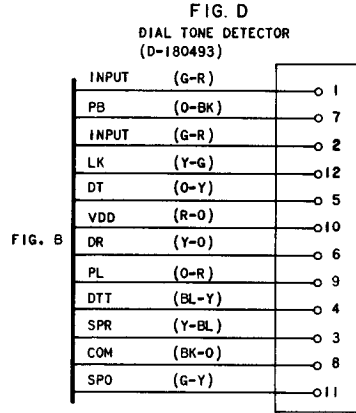
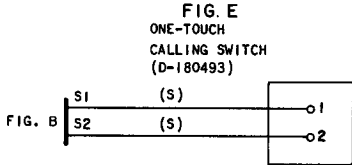
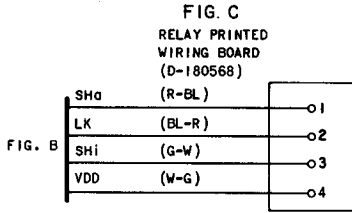


Fig. 7—Telephone Set, Connections (Sheet 2 of 3)

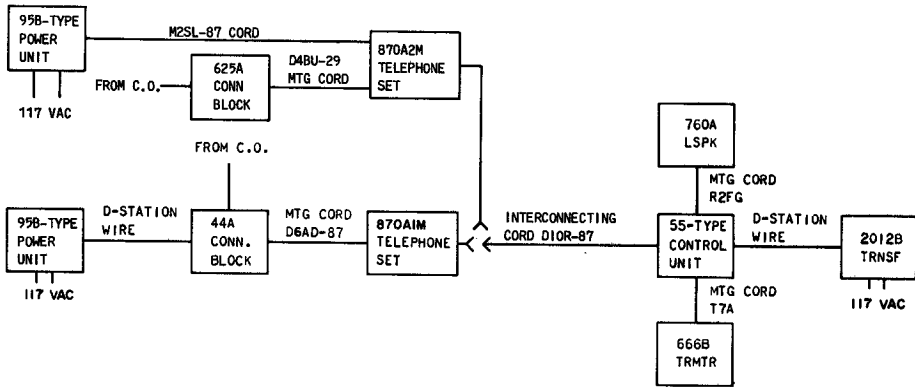


Fig. 8—Block Diagram—Telephone Set With 3B (MD) Speakerphone

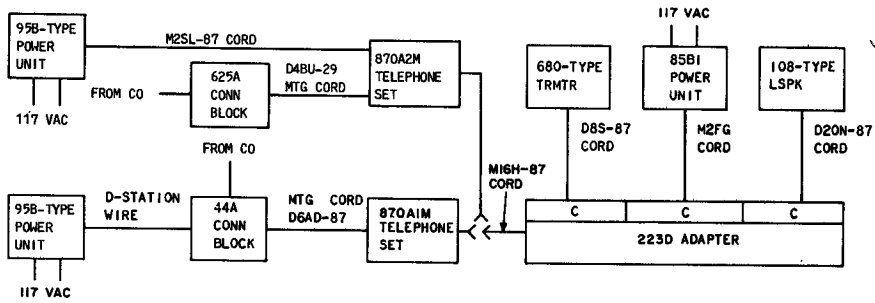


Fig. 9—Block Diagram—Telephone Set With 4A Speakerphone

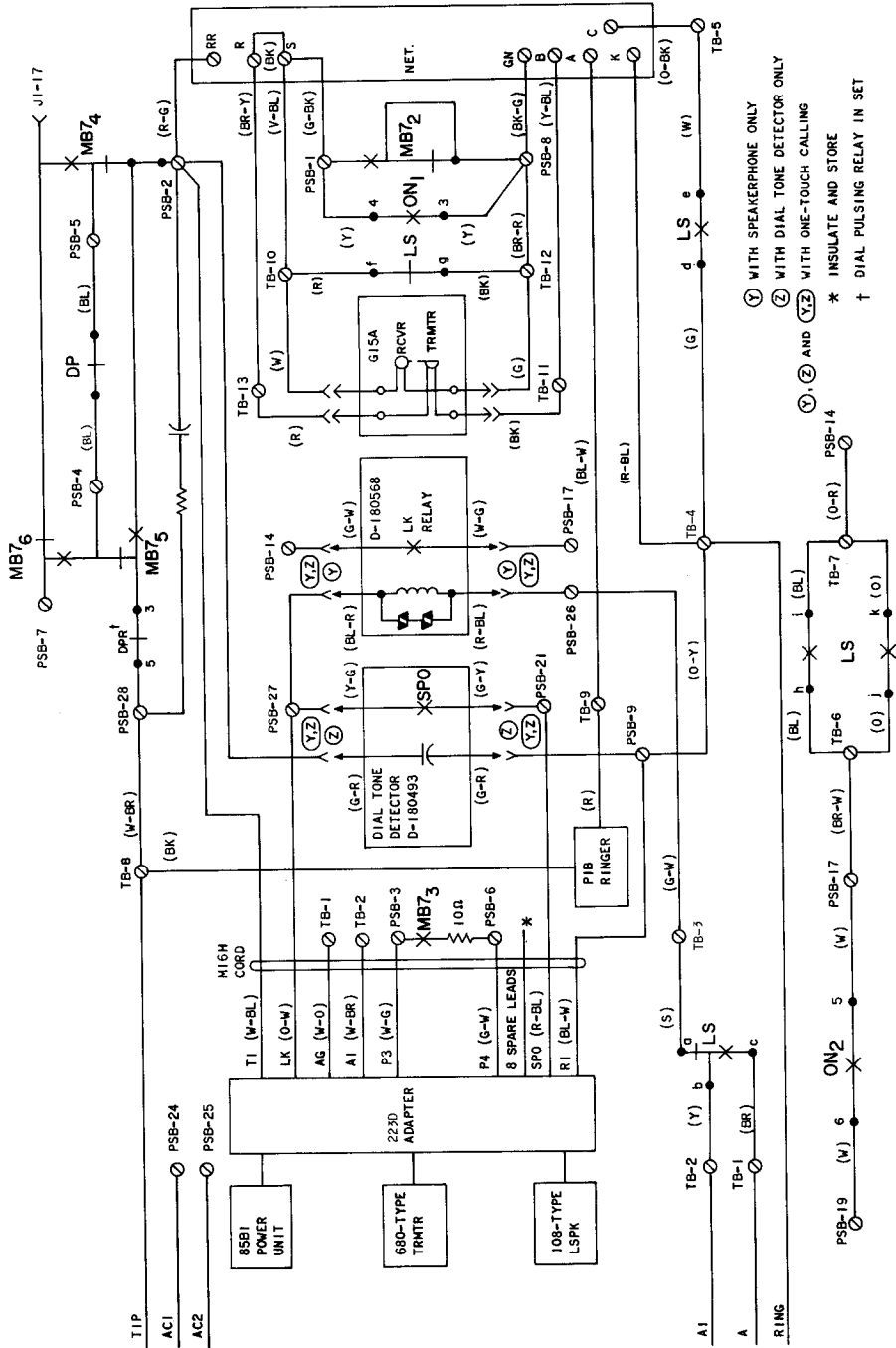


Fig. 10—Telephone Set, Partial Functional Schematic

TABLE H

TROUBLE ANALYSIS – 870A1M OR 870A2M

| TROUBLE NUMBER | FAILURE | ADDITIONAL SYMPTON | POSSIBLE CAUSE | REMEDIAL ACTION |
|----------------|-----------------------------------------------------------------------|-----------------------------------------------------------------------------------------------------------------------|-------------------------------------------------------------------------------|----------------------------------------------------------------------------------|
| 1 | Dead set when off-hook on handset | | Mounting cord improperly connected at equipment end | Check cord connections |
| | | Set remains dead when 95B-type power unit is disconnected. | Bad connection between handset and telephone set | 1. Check handset cord connections 2. Check handset jack connections |
| | | | Defective receiver | Check handset |
| | | | Open tip or ring lead | Check leads and connections |
| | | | Unknown | Replace telephone set* |
| | | Set becomes active when 95B-type power unit is disconnected | Improperly installed or defective Memory | 1. Check connector insertion 2. Replace Memory |
| Defective PSB | Replace telephone set* | | | |
| 2 | Dead set only when speakerphone is on | Set is active when off-hook on handset. | Improperly connected or defective speakerphone | 1. Check connections 2. See appropriate speakerphone BSP for trouble analysis |
| 3 | Cannot transmit when off-hook on handset. | Dial tone present, but sidetone absent. | Handset cord improperly inserted into either handset or jack in telephone set | Check handset cord and/or handset |
| | | | Defective transmitter | Replace transmitter or handset |
| | | | Defective 616B jack | Replace 616B jack |
| | | | Defective network | Replace telephone set* |
| 4 | Cannot manually dial when off-hook on handset (dial tone is present). | Dialing clicks heard (in handset) when dial is returning. | Bridged set off-hook | Place bridged set on-hook |
| | | | Speakerphone, improperly installed or defective | Check appropriate speakerphone BSP for analysis |
| | | No dialing clicks heard when dial is returning. Condition remains unchanged when 95B-type power unit is disconnected. | Improperly installed or defective rotary dial | 1. Check connections 2. Replace rotary dial |
| | | | Unknown | Replace telephone set* |

* Refer to 6.02 (4)

TABLE H (Cont)

TROUBLE ANALYSIS – 870A1M OR 870A2M

| TROUBLE NUMBER | FAILURE | ADDITIONAL SYMPTON | POSSIBLE CAUSE | REMEDIAL ACTION |
|-----------------------------------------------------------------------------------|-----------------------------------------------------------------------|--------------------------------------------------------------------------------------------------------------|-------------------------------------------------|-----------------------------------------------------------------------------------------------|
| 4 (Cont) | | No dialing click heard when dial is returning. With 95B-type power unit disconnected, set can manually dial. | Improperly installed or defective Memory | 1. Check cable 2. Replace Memory |
| | | | Defective PSB | Replace telephone set* |
| 5 | Cannot manually dial when speakerphone is on. (Dial tone is present.) | Set does manually dial when off-hook on handset | Improperly installed or defective speakerphone | 1. Check connections 2. See appropriate speakerphone BSP for trouble analysis |
| | | | Defective line switch contacts | Replace telephone set* |
| 6 | RECORD lamp does not function properly | RECORD lamp does not turn on when RECORD button is depressed. | AC power not present | Check for commercial power |
| | | | Battery not plugged in | Plug in battery |
| | | | Switch of D-180818 Kit of Parts in ON position | Change switch position to OFF |
| | | | 95B-type power unit not plugged in or defective | Check or replace power unit (should read 13.4 to 18 Vac across screw terminals 24 and 25 PSB) |
| | | | Open in IW | Check IW and connections |
| | | | Memory, RECORD OFF or WAIT button stuck down | Clear stuck button |
| | | | Improperly installed or defective Memory | 1. Check connector cable 2. Replace Memory |
| | | | Unknown | Replace telephone set* |
| | | RECORD lamp flashes or lights erratically | Battery plug not connected | Connect battery plug |
| | | | Unknown | Replace telephone set* |
| Lamp turns off, flashes or lights erratically when any memory button is depressed | Improperly installed or defective Memory | 1. Check connector cable 2. Replace Memory | | |
| | Unknown | Replace telephone set* | | |

* Refer to 6.02 (4).

TABLE H (Cont)

TROUBLE ANALYSIS – 870A1M OR 870A2M

| TROUBLE NUMBER | FAILURE | ADDITIONAL SYMPTON | POSSIBLE CAUSE | REMEDIAL ACTION |
|----------------|------------------------------------------------------------------------------------------|--------------------------------------------------------------------------------------------------------------------------------------------------------------------------------------|-------------------------------------------------------------------------|------------------------------------------------------------|
| 6 (Cont) | | Lamp does not turn off as dial is returning. No relay click heard at beginning of dial wind-up or at end of dial return. Can manually dial off-hook. | Improperly connected or defective rotary dial (off-normal contact) | 1. Check rotary dial connections 2. Replace rotary dial |
| | | | Unknown | Replace telephone set* |
| | | Lamp does not turn off as dial is returning, but relay click is heard at beginning of dial wind-up and at end of dial return. Can manually dial off-hook. | Improperly connected or defective Memory | 1. Check connector cable 2. Replace Memory |
| | | | Unknown | Replace telephone set* |
| | | Lamp turns off as dial is returning and stays off. | Memory button was not depressed prior to the operation of the dial. | Record per 5.01 |
| | | | Defective Memory | Replace Memory |
| Unknown | Replace telephone set* | | | |
| 7 | Cannot record properly into the 31 memory positions or into LAST NUMBER DIALED position. | RECORD lamp functions properly and set dials manually | Defective Memory | Replace Memory |
| | | | Unknown | Replace telephone set* |
| | | Party is reached when number is recorded as it is manually dialed however, when number is subsequently dialed from memory, party is not reached — wrong number is dialed from memory | Check recording procedure | Record per [5.01 (4) through (7)] |
| | | | Defective Memory | Replace Memory |
| | | | Unknown | Replace telephone set* |
| | | | | |
| 8 | Cannot dial properly from Memory using handset. | MB7 relay clicks when manual dial is operated, but no automatic dialing possible. RECORD lamp does not light. | Battery not plugged in | Plug in battery |
| | | | Memory not securely mounted | Tighten Memory mounting screws |
| | | MB7 relay does not operate (no click heard) when memory button is depressed. | Improper and/or defective strap from PSB terminal 18 to PSB terminal 20 | Check and/or replace strap lead. See Fig. 7B |
| | | | | |

* Refer to 6.02 (4).

TABLE H (Cont)

TROUBLE ANALYSIS – 870A1M OR 870A2M

| TROUBLE NUMBER | FAILURE | ADDITIONAL SYMPTON | POSSIBLE CAUSE | REMEDIAL ACTION |
|----------------|---------|----------------------------------------------------------------------------------------------------------------------------------------------------------|------------------------------------------------------------------------------------------------------------|---------------------------------------------------------------------------------------------------------------------------------------------------------------------------------------------------------------------------------------------------------------|
| 8 (Cont) | | | Improper connection to or defective Memory | 1. Check connector cable 2. Replace Memory |
| | | | Unknown | Replace telephone set* |
| | | MB7 relay operates (click heard) when memory button is depressed but no dialing clicks are heard. In addition, transmit and receive levels are very low. | WAIT button is stuck down or defective | Free stuck WAIT button or replace Memory |
| | | | Unknown | Replace telephone set* |
| | | No digits, random digits or all the same digits in memory location(s). Note: Memory may not have functioned properly at some previous time. | An ac power outage for 24 hours or longer. | Reestablish ac power and record numbers |
| | | | Defective battery | 1. Allow the battery to be charged for a minimum of 5 minutes. Then momentarily remove the 95B-type power unit from the ac power outlet and reinsert 2. If previously stored numbers are not dialed from memory replace the battery 3. Repeat procedure |
| | | | Defective Memory | Replace Memory |
| | | | Unknown | Replace telephone set* |
| | | | Two or more Memory locations have same digits which are usually different from originally recorded digits. | Static discharge damage |
| | | Automatically dials through a WAIT. | Memory not securely mounted. | Tighten Memory mounting screws |
| | | | Improper connection to PSB terminal 23 | Check connection to and/or replace strap to PSB terminal 23 |
| | | | Defective Memory | Replace Memory |
| | | | Unknown | Replace telephone set* |

* Refer to 6.02 (4).

TABLE H (Cont)

TROUBLE ANALYSIS – 870A1M OR 870A2M

| TROUBLE NUMBER | FAILURE | ADDITIONAL SYMPTON | POSSIBLE CAUSE | REMEDIAL ACTION |
|----------------|--------------------------------------------------------------------------------------------|---------------------------------------------------------------------------------------------------------------|--------------------------------------------------------------------------|-----------------------------------------------------------------------------------------------------------------------------------------------------------------------|
| 9 | Cannot dial properly from Memory when on the handset (wired for dial tone detector option) | MB7 relay clicks when manual dial is operated, but no automatic dialing possible. RECORD lamp does not light. | Battery not plugged in | Plug in battery |
| | | MB7 relay does not operate (no click heard) when memory button is depressed | Precise TOUCH-TONE® dial tone may not be present | Make sure precise (350 Hz and 440 Hz) dial tone is present |
| | | | Memory not securely mounted | Tighten Memory mounting screws |
| | | | Improper installation of dial tone detector D-180493 | Check connections for D-180493 installation |
| | | Same as above – Addition of strap lead between PSB terminals 20 and 23 does not correct problem | Improper connection to or defective Memory | 1. Check connector cable 2. Replace Memory |
| | | | | Addition of strap lead between PSB terminals 20 and 23 corrects problem. |
| | | Defective dial tone detector | Replace D-180493 dial tone detector | |
| | | Unknown | Replace telephone set* | |
| | | Automatically dials through a wait. | Memory not securely mounted | Tighten Memory mounting screws |
| | | | Improper connection to PSB terminals 23 and 11 | Check installation of D-180493 Kit of Parts |
| 10 | Cannot turn speakerphone on when ON button is depressed (wired for speakerphone option). | Speakerphone indicator lamp does not turn on. | Handset off-hook | Place handset on-hook |
| | | | Improper connections or defective 85B1 power unit (or 2012B transformer) | 1. Check for commercial power 2. Check that power unit or transformer is plugged into commercial ac power outlet 3. Check connections per Tables B, C, D, and E |

* Refer to 6.02 (4).

TABLE H (Cont)

TROUBLE ANALYSIS -- 870A1M OR 870A2M

| TROUBLE NUMBER | FAILURE | ADDITIONAL SYMPTON | POSSIBLE CAUSE | REMEDIAL ACTION |
|----------------|---------------------------------------------------------------------------------------------------------|---------------------------------------------------------------------------------------------------------------------------------------------------|---------------------------------------------------------|----------------------------------------------------------------------------------------------------------------|
| 10 (Cont) | | | | 4. Check output of power unit or transformer: 85B1: 18-25 Vac open circuit 2012B: 15-18 Vac open circuit |
| | | No dial tone heard, but indicator lamp turns on. | Open T1 or R1 leads | Check leads and connections |
| | | With temporary strap lead added between PSB screw terminals 26 and 27, speakerphone turns on when ON button is depressed. | Improper connections or defective D-180568 Kit of Parts | Check connections to and/or replace D-180568 Kit of Parts |
| | | With temporary strap lead added between screw terminals 2 and 3 on TB, speakerphone turns on when ON button is depressed.. | Defective switchhook a-b contacts | Replace telephone set* |
| | | With temporary strap lead added between screw terminals TB-3 and PSB-26, speakerphone turns on when ON button is depressed | Defective connecting lead | Replace (G-W) harness lead between screw terminal 3 on TB and PSB terminal 26 |
| | | | Defective speakerphone | See appropriate speakerphone BSP for trouble analysis |
| 11 | RECORD lamp does not turn off when speakerphone ON button is depressed (wired for speakerphone option). | With temporary strap lead added between PSB screw terminals 14 and 17, speakerphone turns on when ON button is depressed and RECORD lamp goes off | LK relay circuit defective on D-180568 Kit of Parts | Replace D-180568 Kit of Parts |
| | | Operation of RECORD OFF button turns RECORD lamp off. | Defective switchhook h-i or j-k contacts | Replace telephone set* |
| 12 | Cannot turn speakerphone off when handset is lifted off-hook (wired for speakerphone option). | Speakerphone turns off when OFF button is depressed but turns back on when OFF button is released | Short circuit between screw terminals 2 and 3 on TB | Clear short |
| | | | Defective switchhook a-b contacts | Replace telephone set* |

* Refer to 6.02 (4).

TABLE H (Cont)

TROUBLE ANALYSIS – 870A1M OR 870A2M

| TROUBLE NUMBER | FAILURE | ADDITIONAL SYMPTON | POSSIBLE CAUSE | REMEDIAL ACTION |
|---------------------------------------------------------------------------------------------------------------------|-----------------------------------------------------------------------------------------------------------------------------------------|---------------------------------------------------------------------------------------------------------------------|----------------------------------------------------------------------------------------------------|-------------------------------------------------------------------------------------------------------------------------------------------------------------------------------------------|
| 13 | Cannot hear dial clicks when dialing with speakerphone on (wired for speakerphone option). | With the speakerphone ON button depressed, dialing clicks can be heard. | Physical spacing between speakerphone, loudspeaker and transmitter units is too close | See appropriate speakerphone BSP for proper placement of units |
| 14 | Speakerphone does not turn on when a memory button is momentarily depressed in the automatic dialing mode (wired for one-touch option). | MB7 relay clicks when manual dial is operated, but no automatic dialing possible. RECORD lamp does not light. | Battery not plugged in | Plug in battery |
| | | | Defective 223D adapter | Check continuity from PSB-21 to LSPK-21 |
| | | With temporary strap between PSB screw terminals 15 and 20, speakerphone turns on when a memory button is depressed | One-touch calling switch turned off or defective | 1. Turn one-touch calling switch on 2. Replace one-touch calling switch assembly of D-180493 Kit of Parts |
| | | | Defective dial tone detector D-180493 Kit of Parts | Replace dial tone detector PWB assembly of D-180493 Kit of Parts |
| | | | Defective connections between dial tone detector and PSB | Check (Y-G) and (G-Y) leads to PSB terminals 27 and 21, respectively |
| With temporary strap between PSB screw terminals 27 and 21 speakerphone turns on when a memory button is depressed. | Defective dial tone detector D-180493 Kit of Parts | Replace dial tone detector PSB assembly of D-180493 Kit of Parts | | |
| | | | | |
| 15 | Speakerphone turns on but set does not automatically dial when memory button is depressed (wired for one-touch option). | | (BK) Strap leads from screw terminals 11 and 23 on PSB were not disconnected when option was wired | Disconnect, insulate and store strap leads |
| | | Set automatically dials when screw terminals 20 and 23 on PSB are temporarily shorted. | Precise TOUCH-TONE dial tone not present or a defective dial tone detector | 1. Check CO line for presence of precise TOUCH-TONE dial tone (350 Hz and 440 Hz) 2. If correct dial tone is present, replace dial tone detector PWB assembly of D-180493 Kit of Parts |

* Refer to 6.02 (4).

TABLE H (Cont)

TROUBLE ANALYSIS – 870A1M OR 870A2M

| TROUBLE NUMBER | FAILURE | ADDITIONAL SYMPTON | POSSIBLE CAUSE | REMEDIAL ACTION |
|----------------|--------------------------------------------------------------------------------------------------------------------------------------|----------------------------------------------------------------------------------------------------------------------------|------------------------------------------------------------------------------------|-------------------------------------------------------------------------------------------------------------------------------------------------------------------------------------|
| 16 | Delay time between depression of a memory button and initiation of automatic dialing exceeds 3 seconds (wired for one-touch option). | | Defective timing circuit | 1. Replace Memory 2. Replace dial tone detector PWB assembly of D-180493 Kit of Parts |
| 17 | Cannot turn speakerphone off (wired for one-touch option) | Speakerphone turns off when OFF button is depressed but turns on when OFF button is released. | (BK) strap lead from terminal 18 on PSB was not disconnected when option was wired | Disconnect, insulate and store strap lead |
| | | Speakerphone turns off and stays off when (Y-BL) lead is disconnected from terminal 18 on PSB and OFF button is depressed. | Defective logic | Replace Memory |
| | | Speakerphone turns off when handset is taken off-hook but turns on when handset is placed on-hook | Defective circuit on D-180493 Kit of Parts | Replace dial tone detector board assembly of D-180493 Kit of Parts |
| | | Normal conversational level on speakerphone | Defective muting circuit | Replace telephone set* |
| 18 | Set dials automatically but does not wait for dial tone (wired for one-touch calling). | | Noise on line | 1. Add 0.05 uf capacitor between PSB-17 and PSB-23 2. Remove above capacitor and add resistor (10K Ω to 50K Ω) in series with (G-R) dial tone detector input lead |
| 19 | Automatic dialing commences for no apparent reason (wired for one-touch calling). | | Static discharge damage | 1. Consult TELCO engineer for proper grounding procedure 2. Replace Memory |

* Refer to 6.02 (4).

2870A1M AND 2870A2M TELEPHONE SETS
TOUCH-A-MATIC® AUTOMATIC DIALER

| CONTENTS | PAGE | CONTENTS | PAGE |
|-----------------------------------------------------------------------------------------|------|------------------------------------------------------|------|
| 1. GENERAL | 2 | Location of Components | 12 |
| 2. IDENTIFICATION | 3 | Mounting Cord | 12 |
| Design Features | 3 | Network Terminals | 12 |
| Optional Features | 3 | Power Supply Board (PSB) Terminals | 12 |
| Ordering Guide | 4 | Faceplate Removal | 13 |
| Operating Features | 6 | Handset Cradle Removal | 14 |
| 3. INSTALLATION | 6 | Housing Removal | 15 |
| STANDARD INSTALLATION | 6 | 4. CONNECTIONS | 16 |
| Installation Check Procedure | 7 | 5. OPERATION | 16 |
| OPTIONAL APPARATUS INSTALLATION | 9 | Record A Number Into Memory | 16 |
| D-180492 Kit of Parts (With Speakerphone) | 9 | Change A Number In Memory | 17 |
| D-180493 Kit of Parts (Dial Tone Detector and One-Touch Calling Switch) | 9 | Delete A Number From Memory | 17 |
| D-180818 Kit of Parts (Record Disable and Dial Intermix Features) | 9 | Automatically Dial A Number From Memory | 17 |
| KS-20419L1 Buzzer | 10 | LAST NUMBER DIALED Feature | 17 |
| Plug-Ended Mounting Cord (For converting 2870A1M to 2870A2M) | 10 | End-to-End Signaling | 18 |
| Optional Power Connections | 11 | 6. MAINTENANCE | 18 |
| Head Telephone Set | 12 | Trouble Analysis | 18 |
| COMPONENT LOCATION AND ACCESS INFORMATION | 12 | Battery | 19 |
| | | Memory | 19 |
| | | Dial | 19 |

NOTICE

Not for use or disclosure outside the
Bell System except under written agreement

| CONTENTS | PAGE |
|-----------------------------|------|
| Ringer | 19 |
| Buzzer (Optional) | 20 |
| Handset Jack | 20 |
| Handsets | 20 |
| Faceplates | 20 |
| Speakerphone | 21 |

- Show 2870A2 faceplate MD
- Add 2870B1-type faceplate
- Add 870A1U upper housing
- Revise Table H

Since this reissue covers a general revision, arrows ordinarily used to indicate changes have been omitted.

1. GENERAL

1.01 This section contains identification, installation, connections, and maintenance information for the 2870A1M (MD) and 2870A2M telephone sets (Fig. 1).

1.02 This section is reissued to:

- Add D-180818 Kit of Parts

1.03 The 2870A1M (MD) telephone set equipped with D6AD mounting cord or 2870A2M telephone set equipped with 623P6 jack assembly is factory-wired for bridged or individual ringing. Mounting cord conductors provide for tip, ring, ac power (2870A1M), and A-lead control for 1A1, 1A2, or 6A key telephone systems (KTS).

Caution: Telephone sets are factory-wired for A-lead control. If set is installed in a location where dial-light service is provided the A and A1 leads must be disconnected, insulated,

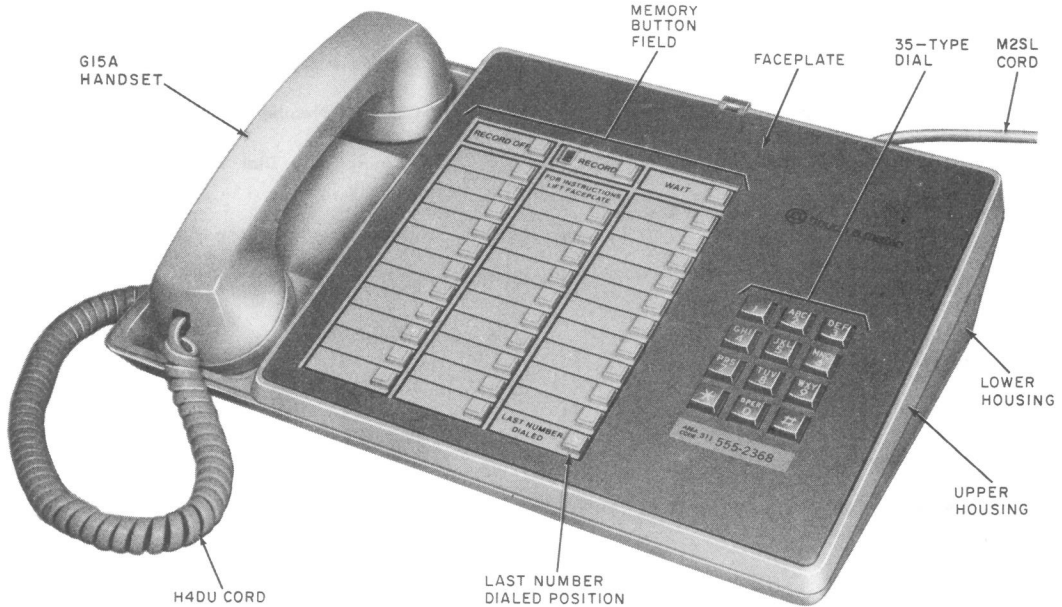


Fig. 1—2870A2M Telephone Set

and stored at the connecting block to prevent shorting out dial light transformer.

1.04 The 2870A2M telephone set is shipped with a modular 623P6 mounting cord jack assembly and a M2SL-87 power cord installed with a 95B-type power unit.

1.05 The 2870A1M telephone set is field convertible to modular.

1.06 These telephone sets are available in the following colors:

- Black (-03)
- Green (-51)
- White (-58)
- Lt. Beige (-60)

1.07 The 2870B1-type faceplates are available in the following colors:

- Teak Woodgrain (-108)
- Walnut Woodgrain (-109)
- Matte Aluminum (-122)

1.08 The 2870A2 (MD) faceplate is available in satin-silver (-87) only.

2. IDENTIFICATION

2.01 The 2870A1M or 2870A2M telephone set provides all standard features of a normal single line set plus (manual) TOUCH-TONE® dialing, automatic dialing of 31 frequently called numbers, and a LAST NUMBER DIALED *scratch pad* memory.

2.02 Design Features:

- Modular telephone set
- Integrated circuit RC TOUCH-TONE oscillator
- Integrated circuit memory
- Surge protector

- Polarity guard (removable for dry circuit application)

- Memory buttons from which to select preprogrammed telephone numbers for automatic dialing

- Capability to record and automatically dial 31 telephone numbers of up to 15 digits each

- Last number manually dialed memory

- Plug-in battery

- Capability to pause for subsequent dial tones during automatic dialing (WAIT input)

- End-to-end signaling for data application.

2.03 Optional Features (Refer to Table A).

- Decorative Faceplate.

- Speakerphone: either 3B or 4A speakerphone systems may be added to stations.

- Dial Tone Detector: automatically starts dialer when precise TOUCH-TONE dial tone (350 Hz and 440 Hz) is present.

- One Touch Calling (requires both dial tone detector and speakerphone): depressing one memory button will automatically turn on speakerphone, detect dial tone, and dial complete number.

Note: All dial tones encountered in the process of placing a call must be precise TOUCH-TONE dial tone (350 Hz and 440 Hz) if the call is to be completed automatically.

- Record Disable: turns off the recording feature to prevent accidental erasures of previously stored numbers.

- Dial Intermix: same as record disable feature plus.

(a) Allows digits dialed from manual dial and from Memory to be intermixed without having to depress the RECORD OFF button (5.07).

(b) Disables the LAST NUMBER DIALED feature.

- Amplifying Handset.
- KS-20419L1 Buzzer.
- Head Telephone Set Operation.

2.04 All options are implemented by:

- Wiring changes in the telephone set
- Installation of appropriate additional items.

2.05 Ordering Guide.

(a) The 2870A2M (modular) telephone set may be ordered complete and ready to install as:

- Set, Telephone, 2870A2M-* E/W 2870B1-122 faceplate

(b) **Ordered Separately:**

- Unit, Power, 95B1 or 95B2 (2870A1M)

Note: A 95B-type power unit is required for each telephone set.

- Cord, Mounting, D4BU-29 or D6AM-87 (2870A2M).

(c) **Modular Components:**

(1) The 2870A2M telephone set also may be ordered in its component parts as follows:

- Housing, 870A1-*
- Housing, upper, 870A1U-* (used with 2870B1 faceplate)
- Faceplate, 2870B1-122 (matte aluminum)
- Handset, G15A-*
- Cord, Handset, H4DU-*

• Base, Telephone Set, 2870A2M includes the following:

Dial, 35AG3A

Ringer, P1B

Network

Battery, KS-20390L4 or KS-20390L2

Jack, Handset, 616B

Jack Mounting Cord, 623P6 (2870A2M only)

Cord, Power, M2SL-87, 7-foot (2870A2M only)

Unit, Power, 95B1 or 95B2 (2870A2M only)

Memory, 2870B

840393672 Directory Sheet Set

Subscriber Instruction Booklet, SIB-2455B.

(d) **Optional Apparatus (order as required):**

- Faceplate 2870B1:

(a) Teak Woodgrain (-108)

(b) Walnut Woodgrain (-109)

Note: If set is equipped with older 2870A1 or 2870A2 faceplate, then an upper housing of the appropriate color must be ordered.

- Kit of Parts, D-180492 (must be used for speakerphone service)

- Kit of Parts, D-180493 (Dial Tone Detector and One-Touch Calling switch)

- Kit of Parts, D-180818 (Record Disable and Dial Intermix Features)

Note: This kit of parts may be used only with sets equipped with a 2870B Memory.

- Cord, Mounting, D4BU-29 or D6AM-87 (2870A1M, conversion to modular)

- Jack, Mounting, 623P6 (2870A1M, conversion to modular)

- Cord, M2SL, 7-foot (separate power cord for 2870A1M)

TABLE A
OPTIONS

| OPTION | ADDITIONAL ITEMS REQUIRED | CONNECTION PER | | |
|--------------------------------------|---------------------------------------------------------|-----------------------------------------------|-------|------|
| | | FIGURE | TABLE | |
| Speakerphone | 4A | 108-type Loudspeaker | 10 | D, E |
| | | 680-type Transmitter | 10 | D, E |
| | | 223D Adapter | 10 | D, E |
| | | 85B1 Power Unit | 10 | D, E |
| | | D-180492 Kit of Parts | 8 C | D, E |
| | 3B (MD) | 760A Loudspeaker | 9 | B, C |
| | | 666B Transmitter | 9 | B, C |
| | | 55-type Control Unit | 9 | B, C |
| | | 2012B Transformer | 9 | B, C |
| | | D-180492 Kit of Parts | 8 C | B, C |
| | | D6AD-87 Cord | 9 | B, C |
| One-Touch Calling | D-180493 Kit of Parts | 8 D, E | C, E | |
| | Speakerphone | 8 B | C, E | |
| Dial Tone Detector | D-180493 Kit of Parts | 8 D, E | F | |
| Adjunct. Key * | 6040-, 6050-, or 6051-Type Key | | | |
| Convert 2870A1M to 2870A2M (3.11) | 623P6 Jack, 95B-Type Power Unit D4BU Cord, M2SL Cord | | | |
| Buzzer (3.10) | KS-20419L1 Buzzer | | | |
| Amplifying Handsets (6.09) | G6, G7, or G8-Type Handset | 8 H | | |
| Dry Circuit (without Polarity Guard) | | 8 D | | |
| Decorative Faceplate | 2870B1-108 (Teak Woodgrain) | | | |
| | 2870B1-109 (Walnut Woodgrain) | | | |
| Record Disable (3.09) | D-180818 Kit of Parts | 8 A | G | |
| Dial Intermix (3.09) | (Note) | | | |
| Head Telephone Set Operation (3.13) | Pantronics Jackset Model JS180-1 or JS180-2 | Tables provided for Plantronics Jackset | | |
| | Desired Head Telephone Set | | | |

Note 1: If set is equipped with 2870A Memory, it must be replaced with a 2870B Memory.

* When a 6040-, 6050-, or 6051-type key is used in conjunction with the 2870A1M or 2870A2M telephone set, automatic dialing and recording features are not reset when switching from one line to another. To reset dialer, it will be necessary to go on-hook, flash the switchhook, or depress the RECORD OFF button after termination of each call. If 6-button key service is desired, it is recommended that the 2872A2M telephone set be used because the reset function is automatically provided.

● Buzzer, KS-20419L1

● Handset, Amplifying (G6-*, G7-*, or G8-* type)

● Set, Head Telephone [using Plantronics Jackset Model JS180-1 (2-foot cord) or JS180-2 (7-foot cord)]

*Add appropriate color suffix (1.06 or 1.07).

2.06 Operating Features (Fig. 2).

- Dial (TOUCH-TONE dial).
- 32-button array of low force, low travel, nonlocking memory buttons arranged in three columns. Left and right columns have eleven buttons, center column has ten buttons.
- LAST NUMBER DIALED button located in lower right corner of memory array, when momentarily depressed, automatically redials the last number manually dialed.
- RECORD button (nonlocking), when momentarily depressed, lights the RECORD lamp and enables the memory circuits to store telephone numbers.
- RECORD OFF button (nonlocking), when momentarily depressed extinguishes the RECORD lamp, indicating that the dialer is switched out of the record mode.
- WAIT button (nonlocking), when momentarily depressed during recording operation, enters a code into memory to initiate a halt in the automatic dialing sequence [used where access digit(s) are required].

3. INSTALLATION**STANDARD INSTALLATION**

3.01 Make all wiring changes and optional modifications (Table A) before external connections are made to the set (Fig. 8).

Caution: *Do not plug in either battery or power unit until all connections and modifications are completed. Take extreme care not to damage the exposed components, circuit, etc. when the set is opened.*

3.02 The set is shipped from the factory with the battery disconnected. After all wiring changes and modifications have been completed, connect the battery by tilting the set up, and inserting the battery plug into the mating jack.

Note: Write date of battery installation on label provided (Fig. 6).

3.03 Install power unit as follows.

- (1) For the 2870A2M the 95B-type power unit is factory-wired to PSB terminals 30 and 31 via the M2SL-87 cord.
- (2) For the 2870A1M, install the 95B-type power unit within 150 feet (24 gauge conductors) of the telephone set. The power unit may be located at the equipment end of the cable and connected to the telephone set by the (G-W) and (W-G) conductors in the mounting cord. Alternatively it may be connected to terminals PSB-30 and PSB-31 by conductors separate from the mounting cord. When separate power conductors are used, disconnect, insulate, and store the (G-W) and (W-G) mounting cord leads on PSB-30 and PSB-31.

Note: The 95B-type power unit must be located no closer than 1-1/2 feet from the telephone set in order to prevent a noise problem.

- (3) Plug the power unit into an ac outlet not controlled by a switch (continues ac power is required). A retaining clamp (841050818) will be shipped with the 95-type power unit and should be mounted to the ac receptacle to hold power unit securely and prevent accidental loss of power.

Danger: *Securely attach 841050818 or similar retaining clamp to ac outlet using outlet cover screw before attempting to install 95B-type power unit. The power unit and any other cord plugged into the ac outlet should always be unplugged completely from outlet before attempting to attach or remove the clamp. Do not use 841050818 or similar retaining clamp on outlets where center mounting screw holds the duplex outlet in the box.*

3.04 The station number card retainer 812558039 (P-25E303) snaps into the faceplate below the dial.

3.05 The directory sheets (Fig. 2) fit over the buttons of the Memory and are held in place by the faceplate. Additional sheets are available in the directory sheet set (840393672).

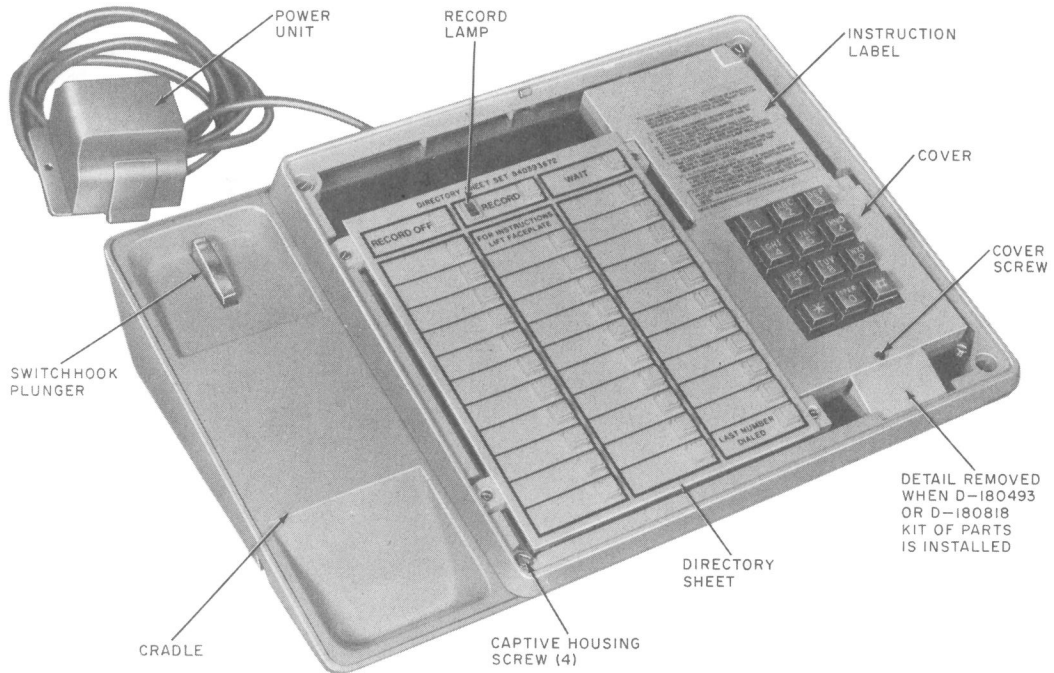


Fig. 2—Telephone Set—Faceplate and Handset Removed

Installation Check Procedure

3.06 Check telephone set installation per the following tests (refer to Part 5 for operation). In case of failure, refer to Trouble Analysis, Table H.

- (1) Disconnect power unit and manually dial a known telephone number to check that the telephone operates correctly in the absence of commercial power.
- (2) Reconnect power unit to ac outlet.
- (3) With handset on-hook, record digits 1 through 0 into consecutive memory locations, storing one digit per memory. Fill all memory locations except LAST NUMBER DIALED and location immediately above it [5.01 (4) through (7)].

(4) Manually dial CO dial test and ringer circuit and simultaneously record into memory location immediately above LAST NUMBER DIALED button [5.01 (4) through (7)]. After depressing RECORD OFF button, and when dial test circuit is ready, test dial frequencies by manually dialing digits 1 through 0 into the test circuit.

(5) Momentarily hang up handset and automatically dial the test circuit number recorded in Step (4) by depressing button immediately above LAST NUMBER DIALED button and proceed as follows.

Note: The set should stop dialing if it reaches a stored **wait** input. Depress the memory button again and the remaining digits should be dialed.

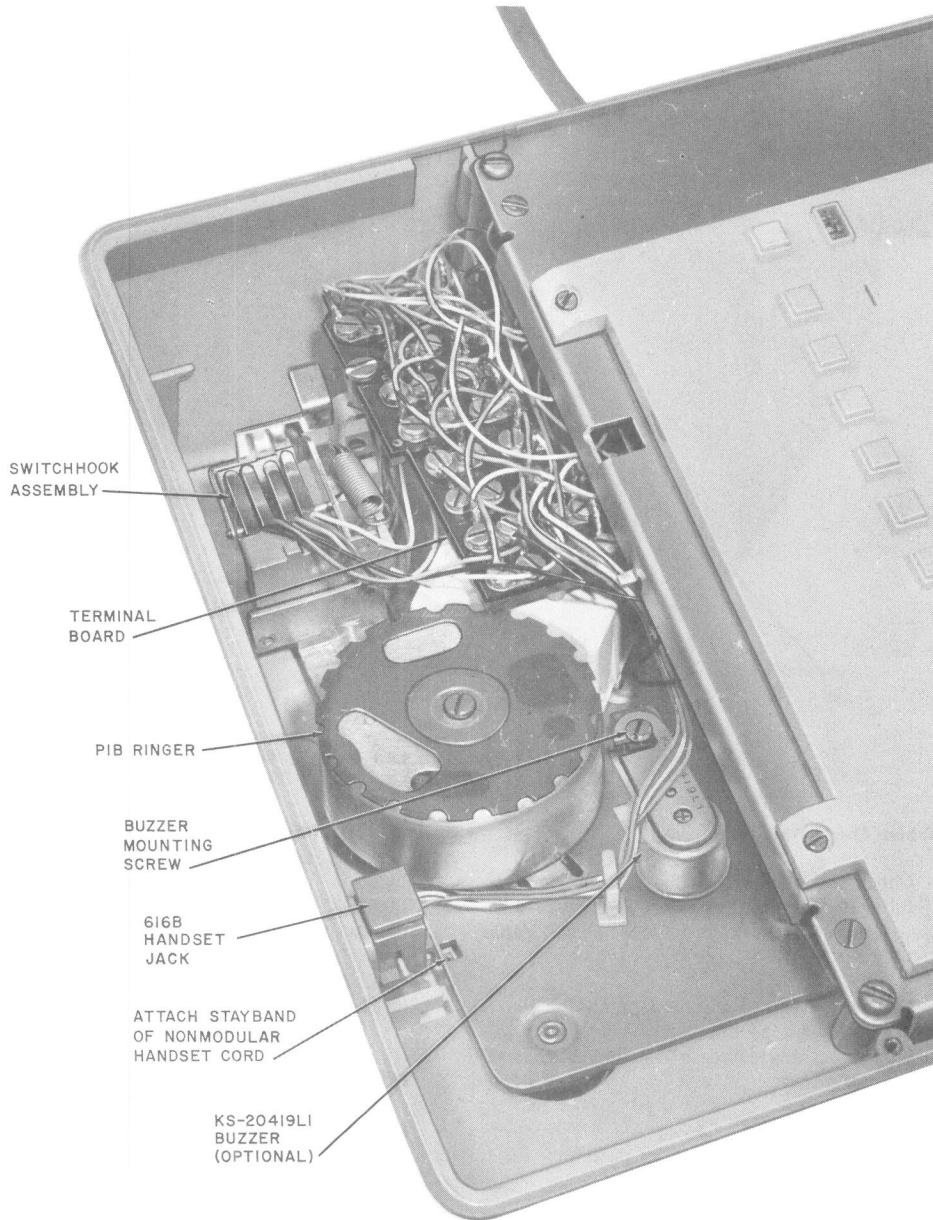


Fig. 3—Telephone Set With Faceplate, Handset, and Handset Cradle Removed

(a) Depress LAST NUMBER DIALED button. Digits 1 through 0 will be automatically dialed into test circuit. Verify that correct signal is returned from test circuit.

(b) Momentarily depress the memory buttons used in Step (3) in the same sequence in which the digits were recorded. Verify that correct signal is returned from test circuit after each series of numbers.



The battery and the power unit must be connected a minimum of five minutes before doing Step (c).

(c) Momentarily disconnect the power unit (for 5 to 10 seconds). After reconnecting power unit, depress the button of a memory location used in Step (3), to verify retention of stored numbers.

(6) Dial the appropriate code for ring-back to test the ringer.

(7) If equipped with one-touch calling option (D-180493 Kit of Parts and speakerphone), and with set in on-hook condition, depress the memory button used in Step (4). The speakerphone should turn on, dial tone should be detected, and the stored number should be automatically dialed.

OPTIONAL APPARATUS INSTALLATION

D-180492 Kit of Parts (With Speakerphone)

3.07 To install.

- (1) Proceed as described in 3.18.
- (2) Make connections per appropriate Table B, C, D, or E.
- (3) Mount the kit assembly to the chassis with the screws provided (Fig. 4). Beveled corner of the printed wiring board (PWB) should be at lower right corner.

D-180493 Kit of Parts (Dial Tone Detector and One-Touch Calling Switch)

3.08 To install.

(1) Remove the housing (3.21), and access PSB terminal board (3.18).

(2) Insert the board assembly from the back of the set and locate as shown in Fig. 4, such that the two tabs on the board assembly fit into the slots in the chassis.

(3) Lock the board into position by inserting the accompanying self threading screw through the right side of the chassis.

(4) Mount the one-touch calling switch below the dial with the two screws provided.

Note: If switch for D-180818 Kit of Parts is already present, the one-touch calling switch cannot be installed. The PSB terminals to which the switch leads should be connected (Tables C and E) shall be strapped together. (The one-touch calling option can not be turned off by the subscriber.)

(5) Make connections per Table C, E, or F.

(6) Break off the detail at the bottom of the cover (Fig. 2) and trim edge as required.

(7) Verify correct operation of option.

(8) Reassemble self.

D-180818 Kit of Parts (Record Disable and Dial Intermix Features)

3.09 To install.

(1) Remove faceplate (3.19).

(2) Loosen the captive screw at the bottom of the cover around the dial and remove the cover.

(3) Disengage the four captive memory mounting screws (Fig. 4).

(4) Disengage the two captive dial mounting screws and move dial aside.

(5) Rotate left edge of the memory upward as shown by Fig. 5.

Note: If the set is equipped with a 2870A Memory, replace it with a 2870B Memory and

carefully pack and return the old memory according to local procedures.

- (6) Mount switch below dial using the two screws provided.

Note: If the one-touch calling switch (D-180493 Kit of Parts) has been provided, it must be removed. The PSB terminals to which the switch leads were connected (Table C or E) must be strapped together. (The one-touch calling option can no longer be turned off by the subscriber.)

- (7) Connect switch lead connectors to post terminals on memory board per Table G.

- (8) With feature switch in OFF position, verify that set operates in normal manner:

- Numbers can be recorded into memory
- Numbers can be changed
- Numbers can be deleted from memory
- Numbers can be automatically dialed.

- (9) Set feature switch to ON position and verify feature provided.

- Record disable feature only.
 - (a) RECORD lamp will not light when RECORD button is depressed.
 - (b) No telephone numbers can be recorded, changed, or deleted in memory.
 - (c) LAST NUMBER DIALED feature is operative.
- Record disable and dial intermix features.
 - (a) RECORD lamp will not light when RECORD button is depressed.
 - (b) No telephone numbers can be recorded, changed, or deleted in memory.
 - (c) Manually and automatically dialed digits may be intermixed (5.07).

(d) LAST NUMBER DIALED feature is disabled and the LAST NUMBER DIALED position can be utilized just like the other memory position to store frequently dialed numbers.

- (10) Reassemble set.

KS-2041911 Buzzer

3.10 To install.

- (1) Remove faceplate (3.19) and place handset aside.
- (2) Remove handset cradle (3.20).
- (3) Remove screw from buzzer mounting bracket, and mount buzzer on bracket shown in Fig. 3.
- (4) Connect two blue buzzer leads to TB-11 and TB-12 and connect to 10-volt ac external circuit by changing the 623P6 jack connections as follows:
 - (a) With no A-lead control.
 - (1) Move (BK) from TB1-1 to TB-11.
 - (2) Move (Y) from TB-2 to TB-12.
 - (3) Connect buzzer power to appropriate terminals of modular connecting block.
 - (b) With A-lead control, use D6AM-87 cord and
 - (1) Move (BL) from insulate and store to TB-11.
 - (2) Move (W) from insulate and store to TB-12.
 - (3) Connect buzzer power to appropriate terminals of modular connecting block.
- (5) Reassembly set (3.20 and 3.19).

Plug-Ended Mounting Cord (converting 2870A1M to 2870A2M)

3.11 To convert.

- (1) Remove the housing (3.21) and access the PSB terminals (3.18).
- (2) Remove D6AD-87 mounting cord.
- (3) Install the 623P6 jack as shown in Fig. 7.
- (4) Connect the spade-tipped jack leads as follows.
 - (a) (R) wire to TB-4.
 - (b) (G) wire to TB-8.
 - (c) (Y) wire to TB-2.
 - (d) (BK) wire to TB-1.
 - (e) Insulate and store (W) and (BL) conductors.
- (5) Connect (Y) lead of M2SL cord to PSB-30 and the (BK) lead to PSB-31 and route cord through housing.
- (6) Connect the cord to the 95B-type power unit.
- (7) Reassemble the set.
- (8) Install a 625-type connecting block.
- (9) Install the D4BU mounting cord.

Optional Power Connections

3.12 In some cases it may be possible and desirable to bring ac power into the set in a nonstandard manner. The following methods are approved alternatives.

- (a) **2870A1M:** A M2SL-87 cord may be used to connect the 95B-type power unit to the telephone set.
 - (1) Remove the housing (3.21).
 - (2) Disconnect the (G-W) and (W-G) leads of the mounting cord from PSB-30 and PSB-31, and insulate and store.
 - (3) Thread the leads of the M2SL cord to the PSB area from the rear of the telephone set.

- (4) Fasten the M2SL cord to the chassis by placing a No. 10-24 by 1/4-inch screw [804216471 (P-421647)] through the hole in the S-hook and into the tapped hole in the chassis located behind the 623P6 jack.
- (5) Connect the (Y) lead to PSB-30 and the (BK) lead to PSB-31.
- (6) Reassemble housing.
- (7) Connect power unit to M2SL cord.
- (b) **2870A2M:** The ac power may be wired in at the connecting block and brought to the set via the mounting cord.
 - (1) With a D4BU-29 cord (no A-lead capability).
 - (a) Disconnect and remove the M2SL-87 cord.
 - (b) Move the (BK) jack lead from TB-1 to PSB-16 and the (Y) lead from TB-2 to PSB-17.
 - (c) Add strap leads from PSB-16 to PSB-30 and from PSB-17 to PSB-31.
 - (d) Connect the power unit to the appropriate terminals of the 625-type connecting block. Power unit shall be installed within 150 feet of telephone set using 24 AWG wire.
 - (2) With a D6AM-87 cord.
 - (a) Disconnect and remove the M2SL-87 cord.
 - (b) Connect the normally insulated and stored (BL) and (W) jack leads to PSB-16 and PSB-17, respectively.
 - (c) Add strap leads from PSB-16 to PSB-30 and from PSB-17 to PSB-31.
 - (d) Connect the power unit to the appropriate terminals of the 74D connecting block. Power unit shall be installed within 150 feet of telephone set using 24 AWG wire.

Head Telephone Set**3.13 To install.**

- (1) Remove housing (3.21).
- (2) Access PSB terminal area (3.18).
- (3) Remove cradle (3.20).
- (4) Thread cord of Jackset through hole in rear of housing and make connections per appropriate table provided for Plantronics Jackset.
- (5) Reassemble telephone set.
- (6) Insert head telephone set plug into jackset.

COMPONENT LOCATION AND ACCESS INFORMATION**Location of Components**

3.14 The components are located in three areas as follows:

- (a) Under the handset cradle (Fig. 3):
 - Buzzer (optional)
 - Ringer
 - Switchhook assembly
 - Handset jack
 - Terminal board (TB).
- (b) Under the faceplate, inside the set (Fig. 4 and 5):
 - Battery jack (Fig. 5)
 - Power supply (PSB) terminal area (Fig. 4)
 - Network (Fig. 4)
 - Options (Fig. 4):
 - D-180492 (relay kit for speakerphone)
 - D-180493 (dial tone detector and one-touch calling switch kit)
 - D-180494 (2/4-wire relay kit)

D-180818 (record disable/and dial intermix kits).

(c) Bottom of telephone set (Fig. 6):

- Battery.

Mounting Cord

3.15 The D6AD-87 mounting cord (2870A1M) is spade-tip ended at both ends. The conductors provide for tip, ring, ac power, and A-lead control.

3.16 The D4BU (2870A2M) plug-ended mounting cord conductors provide for tip, ring, and A-lead control.

Note: If two extra leads are required, a D6AM-87 cord may be used.

Network Terminals

3.17 For access to the network terminals.

- (1) Remove the faceplate (3.19).
- (2) Loosen the captive cover screw at the bottom of the white cover around the dial (Fig. 2).
- (3) Remove the cover.
- (4) To replace the cover, the three tabs of the cover (one at the top center and one at each side just above the dial) must be aligned with holes in the chassis before the screw is refastened. Failure to do this will result in improper seating of the faceplate.

Power Supply Board (PSB), Terminals

3.18 To access the terminal field on the power supply board, proceed as follows.

- (1) Remove the faceplate (3.19).
- (2) Loosen the captive cover screw at the bottom of the white cover around the dial (Fig. 2).
- (3) Remove the cover.
- (4) Loosen the two captive screws that hold the dial in place.

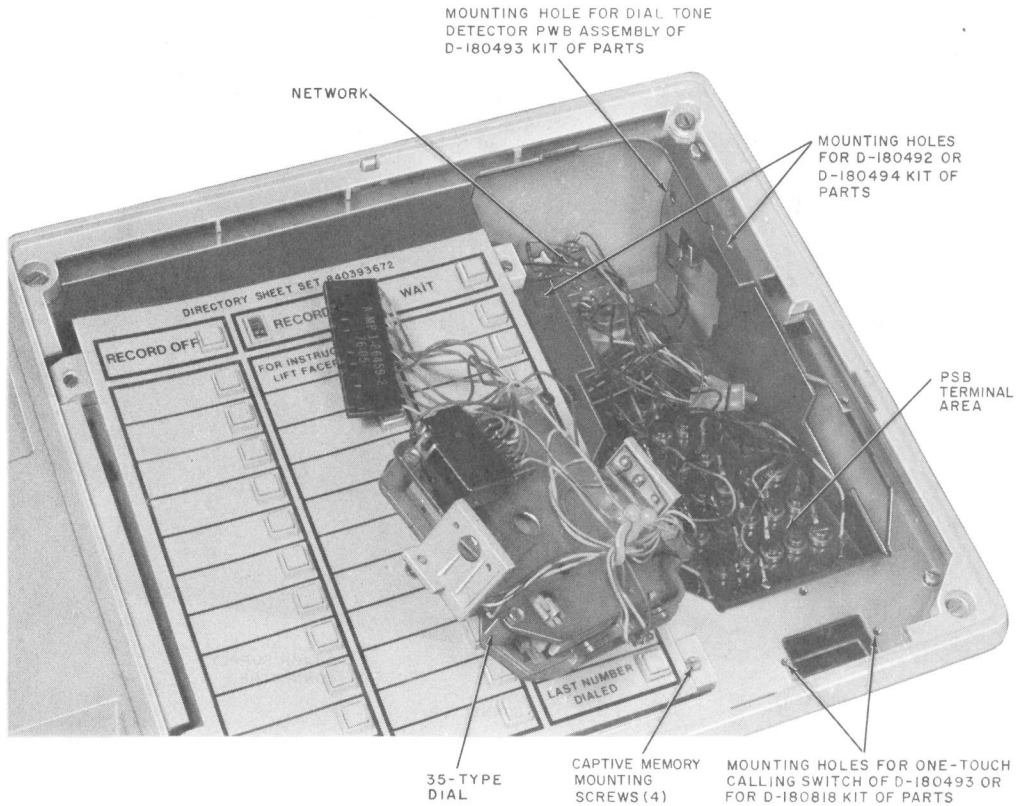


Fig. 4—Telephone Set—Dial Removed to Show Terminal Area

Note: On sets with metal dial brackets, the screws will have to be removed.

- (5) Gently raise the dial and disconnect 12 position plug from PSB.
- (6) Rotate dial over onto the Memory.
- (7) To reassemble; reverse procedure.
- (8) To replace the cover, the three tabs of the cover (one at the top center and one at each side just above the dial) must be aligned with holes in the chassis before the screw is refastened.

Failure to do this will result in improper seating of the faceplate.

Faceplate Removal

3.19 This will differ depending on faceplate being used:

- (a) The 2870B1-type faceplate is held in place by a spring clip attached to the 870A1U upper housing. To disengage the faceplate, lift up on the tab which protrudes from the center of the back edge of the faceplate.

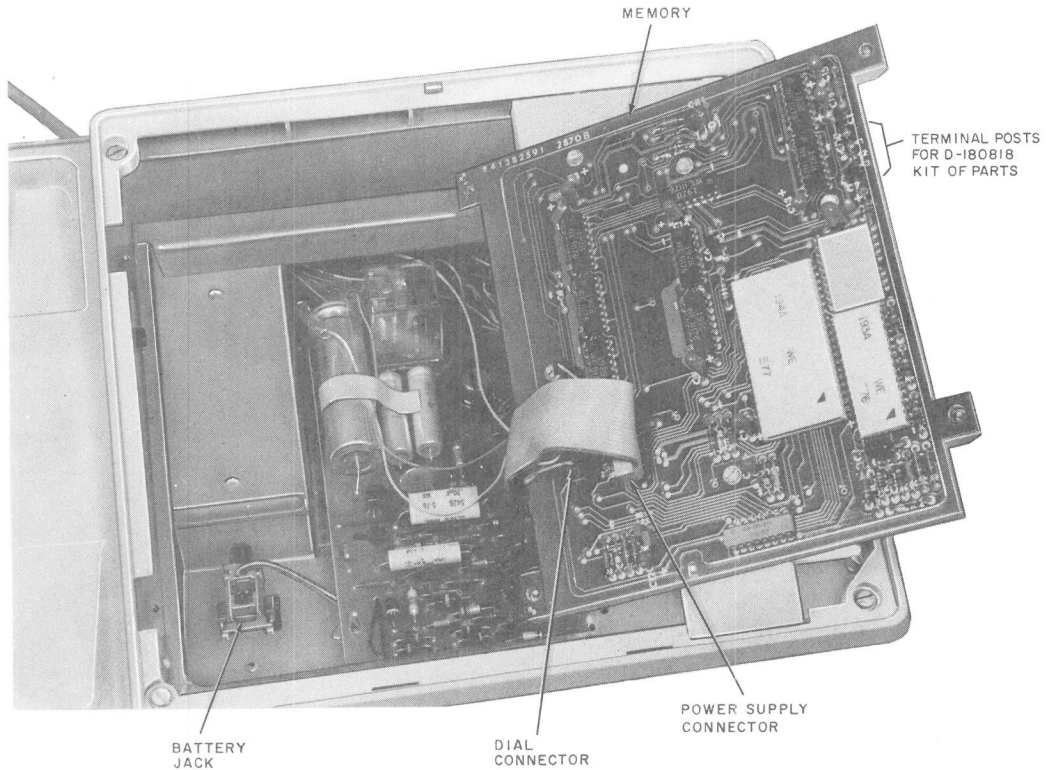


Fig. 5—Telephone Set, Internal View

Note: The 2870B1 faceplate is not a direct replacement for the 2870A2-87 faceplate. An 870A1U upper housing is also required with the 2870B1 faceplate (6.10).

(b) The 2870A2-87 faceplate is held in place by two snaps bonded to the faceplate and aligned to fit holes in the chassis. To remove the faceplate, grasp it by any convenient edge and lift.

Handset Cradle Removal

3.20 To remove the handset cradle from the housing, proceed as follows.

(1) Remove the faceplate (3.19), and place the handset aside.

(2) Remove upper housing if provided [3.21(b)].

(3) Disengage the captive cradle screws located in the two tabs on the cradle.

(4) Lift the cradle, by pulling up on the plunger, and remove.

(5) Replace the handset cradle by sliding it sideways to engage the clips with the mating tabs in the side of the housing.

Caution: *The plunger must be held from the top side of the cradle as it is slid into position to prevent damage to the switchhook arm.*

(6) Refasten the captive cradle screws.

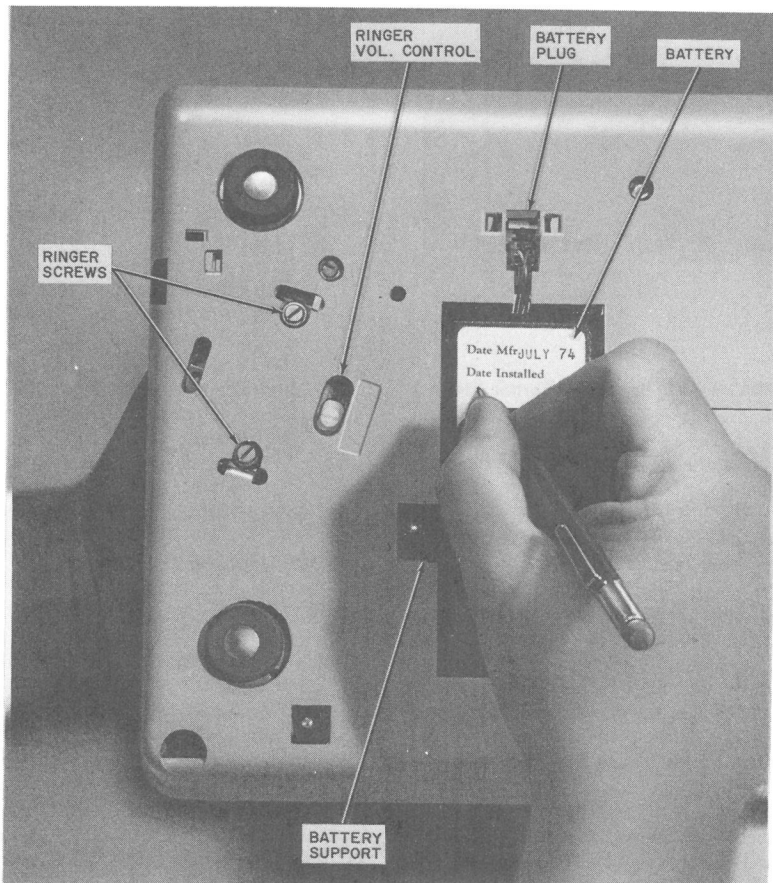


Fig. 6—Telephone Set, Bottom View

Housing Removal

3.21 To remove, proceed as follow.

(a) **Lower housing.**

- (1) Unplug the handset cord, at the telephone set end and remove handset.
- (2) Remove the faceplate (3.19).
- (3) Remove upper housing of provided [3.21(b)].

- (4) Remove the handset cradle (3.20).

Caution: Attempting to remove the housing without removing the handset cradle may damage the switchhook arm.

- (5) Disengage the captive housing screws (Fig. 2) located in the extreme upper and lower edges of the chassis.
- (6) Unplug mounting cord (2870A2M).

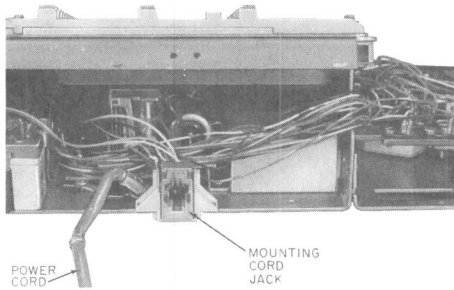


Fig. 7—2870A2M Telephone Set, Partial View

- (7) Separate the housing from the telephone set base.
 - (8) Disconnect power unit from M2SL-87 cord, if required (2870A2M).
 - (9) Feed cord through hole in bottom of housing as housing is removed.
 - (10) Before replacing the housing, lift the set to check that the shoulders of the battery jack are against the two tabs on the chassis. Misalignment may cause the bottom of the housing to bow.
 - (11) When replacing the housing, keep the handset jack from being trapped between the housing and chassis.
- (b) **Upper housing.**
- (1) Remove the faceplate (3.19).
 - (2) Disengage the captive housing screws located in each corner of the upper housing (Fig. 2). This will release the lower housing.
 - (3) Pull the upper housing away from the chassis as each housing screw is backed out. This will separate the upper housing from the chassis.
 - (4) If necessary, thread screws out of housing.
 - (5) To reassemble, reverse procedures.

4. CONNECTIONS

- 4.01 Telephone set connections are shown in Fig. 8.
- 4.02 Refer to Table A for connection reference for all options.
- 4.03 A partial functional schematic is shown on Fig. 11.

Caution: Telephone sets are factory-wired for A-lead control. If set is installed in a location where dial-light service is provided the A and A1 leads must be disconnected, insulated, and stored at the connecting block to prevent shorting out of dial light transformer.

5. OPERATION

Record A Number Into Memory

- 5.01 To record.
 - (1) Remove the faceplate (3.19).
 - (2) Write or type the desired name and telephone number for a selected memory button on the associated position of the directory sheet.
 - (3) Replace the directory sheet and faceplate.
 - (4) Depress the RECORD button. The RECORD lamp adjacent to the RECORD button will light. (A number can be called and recorded simultaneously by lifting handset before depressing the RECORD button.)

Note: If set is equipped with D-180818 Kit of Parts, switch must be in the OFF position.
 - (5) Depress the memory button adjacent to the desired telephone number listed on the directory sheet.
 - (6) Manually dial the desired telephone number.

Note: If an access code and pause for second dial tone is required.

 - (a) Dial the access digit(s) for the outside line.

- (b) Push the WAIT button. (The WAIT entry counts as one digit.)
- (c) Dial the telephone number.

Note: A number up to 15 digits in length may be recorded. The RECORD lamp will go out momentarily as each digit is dialed. If exactly 15 digits are recorded, the RECORD lamp will go out and stay out, indicating that the dialer has been reset. If a memory button has not been depressed the RECORD lamp will go out when the first digit is dialed and recording operation will be voided.

- (7) Depress the RECORD OFF button if less than 15 digits are recorded. The RECORD lamp will go out. The dialer will be reset. The number is now stored in the selected memory. The dialer will also be reset by a switchhook, line key, or speakerphone operation.

Change A Number In Memory

Note: If set is equipped with D-180818 Kit of Parts, switch must be in OFF position.

- 5.02** Whenever a new number is recorded, in a previously used memory position, it will automatically replace the previously stored number.

Delete A Number From Memory

Note: If set is equipped with D-180818 Kit of Parts, switch must be in OFF position.

- 5.03** Complete the following operations in succession.
 - (1) Depress the RECORD button.
 - (2) Depress the memory button corresponding to the name and number to be deleted.
 - (3) Depress the RECORD OFF button.

Automatically Dial A Number From Memory

- 5.04** To automatically dial a number.
 - (a) For factory-wired sets, go off-hook, listen for dial tone, and depress the desired memory button. If WAIT input has been recorded, automatic dialing will stop. When second dial

tone is heard, depress the memory button again to complete automatic dialing.

- (b) For sets equipped with the dial tone detector only, go off-hook, listen for dial tone, and depress the desired memory button.
- (c) For sets equipped with the one-touch calling option (with speakerphone and dial tone detector), depress the desired memory button.

LAST NUMBER DIALED Feature

Note: If set is equipped with D-180818 Kit of Parts and dial intermix feature is provided the switch must be in OFF position.

- 5.05** The TOUCH-A-MATIC telephone set automatically records into the LAST NUMBER DIALED position (Fig. 1) any number called using the standard telephone dial. Each number in the LAST NUMBER DIALED position is automatically replaced by the next number manually dialed. Although the unit is recording, the RECORD lamp does not light at any time during this operation.

5.06 Operation of LAST NUMBER DIALED feature.

- (a) With no access digit(s) required.
 - (1) Go off-hook.
 - (2) Listen for dial tone.
 - (3) Manually dial telephone number.
 - (4) To redial same number automatically.
 - (a) For factory-wired sets, go off-hook, listen for dial tone, and depress LAST NUMBER DIALED button.
 - (b) For sets equipped with the dial tone detector only, go off-hook, listen for dial tone, and depress the LAST NUMBER DIALED button.
 - (c) For sets equipped with the one-touch calling option (with speakerphone and dial tone detector), depress the LAST NUMBER DIALED button.

(b) When an access code and pause for second dial tone are required.

- (1) Go off-hook.
- (2) Listen for dial tone.
- (3) Dial access digit(s).
- (4) Depress WAIT button.
- (5) Manually dial telephone number.
- (6) To redial same number automatically.

(a) For factory-wired sets, go off-hook, listen for dial tone, and depress LAST NUMBER DIALED button. Automatic dialing will stop at the recorded *wait* input. When second dial tone is heard, depress LAST NUMBER DIALED button again to complete automatic dialing.

(b) For sets equipped with the dial tone detector only, go off-hook, listen for dial tone, and depress the LAST NUMBER DIALED button.

(c) For sets equipped with the one-touch calling option (with speakerphone and dial tone detector), depress the LAST NUMBER DIALED button.

End-to-End Signaling

5.07 For end-to-end signaling (such as data transmission) this set has the capability to intermix manual and automatic dialing. This can be accomplished if the following rules are observed:

Note: If the telephone set is to be used for end-to-end signaling, V option (with polarity guard) shall be used (Fig. 8B). Set is factory-wired with V option.

- (1) If the telephone set is equipped with the one-touch calling option the initial number must be dialed automatically (even if the one-touch calling switch is in the OFF position). This allows the dial tone detector to complete its function and then additional numbers may be dialed automatically or manually if desired.

(a) **Standard Operation:** If, at any time, information is keyed in manually, the RECORD OFF button must be depressed before another number can be dialed from memory. (The RECORD lamp will not light at any time but depressing the RECORD OFF button will remove the set from the LAST NUMBER DIALED mode and allow additional automatic dialing.)

(b) **Dial Intermix (D-180818 Kit of Parts):**

With the feature switch in ON position manually and automatically dialed digits may be intermixed as desired. Operation of the RECORD OFF button is not required.

Note: In this mode, the RECORD button and the LAST NUMBER DIALED feature are inoperative.

6. MAINTENANCE

6.01 In case of power failure, the automatic dialing feature cannot be used. The battery retains the number associated with each of the memory buttons for at least 24 hours. If power loss exceeds 24 hours, the numbers may have to be rerecorded.

Trouble Analysis

6.02 When trouble is encountered, the subsequent procedure should be followed.

- (1) Confirm improper operation either as a basic telephone set or as an automatic dialer (Part 5).
- (2) Check for improper connections.
- (3) Refer to Table H and the following paragraphs.
- (4) If removal of set is required, proceed as follows.
 - (a) Disconnect telephone set.
 - (b) Unplug battery.
 - (c) Place plug sideways into housing slot below battery jack and tape in place.

Caution: Failure to restrain plug can result in plug damage necessitating battery replacement.

Battery

6.03 The KS-20390L2 or KS-20390L4 battery has an expected life of about 4 years. It can be replaced without loss of memory provided that commercial ac power to the set is continuously maintained. To replace the battery, proceed as follows (Fig. 6).

- (1) Tilt the front of the set up.
- (2) Unplug the battery.
- (3) Loosen captive screw on the battery support.
- (4) Remove battery support.
- (5) Remove battery.
- (6) Install new battery.
- (7) When battery has been connected at least five minutes, check memory retention by momentarily disconnecting ac power and then automatically dialing a prerecorded telephone number.

Memory

6.04 The Memory may be replaced as follows.

Note: Removal of the Memory results in loss of the stored telephone numbers.

- (1) Remove the faceplate (3.19).
- (2) Loosen the four captive Memory mounting screws (Fig. 4).
- (3) Rotate the left edge of the Memory upward as shown in Fig. 5.
- (4) Disengage the two connectors by pulling on them perpendicular to the printed wiring board.
- (5) Replace the Memory by engaging the dial connector first. The dial connectors are keyed, one position is filled and should fit over the vacant position in the row of pins. The flat

power supply cable should not be twisted. It should form a loop as shown in Fig. 5 when connected to the board.

- (6) Reassemble telephone set.
- (7) Test per 3.06.

Dial

6.05 To replace.

- (1) Proceed per 3.18.
- (2) Loosen the four captive Memory mounting screws (Fig. 4).
- (3) Gently raise the left side of the Memory and rotate to position shown in Fig. 5. This will expose 10-position dial connector.

Caution: Do not remove the power supply connector in the process of changing the dial, since this will result in complete loss of stored telephone numbers.

- (4) Carefully disengage the dial connector by pulling on it perpendicular to the printed wiring board.
- (5) Lift the dial out.
- (6) To install a new dial, reverse the previous steps. The connectors are keyed to orient them relative to the pins. Observe the correct orientation and do not force the connection.

Ringer

6.06 To replace.

- (1) Remove the faceplate (3.19) and place handset aside.
- (2) Remove upper housing, if provided [3.21(b)].
- (3) Remove the cradle (3.20).
- (4) Disconnect ringer leads (Fig. 8H).
- (5) Tilt the front of the set up.
- (6) Unfasten ringer mounting screws (Fig. 6).

- (7) Remove ringer.
- (8) Install new ringer. The leads should be routed as shown in Fig. 3 to prevent contact with the gong and subsequent damping of the ringer output. Dial ringback code to test ringer.
- (9) Reassemble telephone set [3.20, 3.21(b), and 3.19].

Buzzer (optional)**6.07** To replace.

- (1) Remove the faceplate (3.19), and place handset aside.
- (2) Remove upper housing, if provided [3.21(b)].
- (3) Remove the cradle (3.20).
- (4) Remove the buzzer mounting screw.
- (5) Remove buzzer leads from the terminal board.
- (6) Install new buzzer.
- (7) Reassemble telephone set [3.20, 3.21(b), and 3.19].

Handset Jack (616B)**6.08** To replace.

- (1) Remove the faceplate (3.19), and place handset aside.
- (2) Remove upper housing, if provided [3.21(b)].
- (3) Remove the cradle (3.20).
- (4) Disconnect the handset jack leads and remove jack.
- (5) Install new 616B handset jack.
- (6) Reassemble telephone set [3.20, 3.21(b), and 3.19].

Handsets

- 6.09** A defective G15A handset may be replaced or changed to a modular amplifying handset

(G6BM, G7BM, or G8BM) by unplugging the H4DU cord and inserting it into the new handset. To replace the G15A handset with a nonmodular amplifying handset (G6B, G7B, or G8B), proceed as follows.

- (1) Unplug H4DU handset cord at telephone set end.
- (2) Remove faceplate (3.19), and place handset aside.
- (3) Remove upper housing, if provided [3.21(b)].
- (4) Remove handset cradle (3.20).
- (5) Disconnect 616B handset jack (6.08). (Jack may be removed or stored just to right of ringer.)
- (6) Insert spade-tipped end of handset cord through hole in the side of the housing.
- (7) Attach stayband hook to chassis (Fig. 3).
- (8) Route leads through wire guide as shown in Fig. 3.
- (9) Make connections (Fig. 8H).
- (10) Reassemble telephone set [3.19, 3.20, 3.21(b)].

Faceplates

- 6.10** To replace a 2870A2-87 faceplate with a 2870B1-type faceplates.

- (1) Remove the 2870A2-87 faceplate by lifting up at any of its edges.
- (2) Remove the four captive housing screws (Fig. 2) from the chassis.
- (3) Use the four housing screws to mount the 870A1U upper housing to the chassis and 870A1 housing. The three parts should be held tightly together as the screws are driven.
- (4) Place the two tabs located along the lower edge of the 2870B1 faceplate in the notches in the lower side of the 870A1U upper housing.

(5) Lower the faceplate to rest on the memory. The spring clip located at the top center of the upper housing should retain the faceplate.

6.12 For speakerphone connections, use applicable Tables B through E.

SPEAKERPHONE

6.11 For maintenance information on the 3B (MD) or 4A speakerphone systems, refer to Section 512-620-100 or 512-700-100, respectively.

TABLE B

CONNECTIONS — 2870A1M OR 2870A2M TELEPHONE SET WITH 3B SPEAKERPHONE

| APPARATUS | CORD OR WIRE | LEAD | | TEL SET | CONNECT | | | | | | |
|---------------|--------------------------------------------------------------|----------------------------------|-------|-----------------|---------|----|---------------------|---------|-----|---------------------|----|
| | | | | | FROM | | TO | | | | |
| | | DESIG | COLOR | REMOVE FROM PSB | TEL SET | | 44-TYPE BLOCK TERM. | TEL SET | | CONTROL UNIT (NOTE) | |
| | | | | | PSB | TB | | PSB | 55A | 55B | |
| Tel Set | Mtg Cord D6AD-87 (2870A1M) | R | BL-W | | | | 1 | | | | |
| | | T | W-BL | | | | 2 | | | | |
| | | A1 | O-W | | | | 4 | | | | |
| | | A | W-O | | | | 5 | | | | |
| | | AC1 | G-W | | | | 6 | | | | |
| | | AC2 | W-G | | | | 7 | | | | |
| | | 623P6 Jack Assy (2870A2M)‡ | Spare | W | | | | | | | |
| | A | | BK | | | | | | | | |
| | R | | R | | | | | | | | |
| | T | | G | | | | | | | | |
| | A1 | | Y | | | | | | | | |
| | Spare | | BL | | | | | | | | |
| | Speaker- phone Intercon- nection Cord D6AD-87 | R1 | BL-W | | | 11 | | | | 28 | 10 |
| | | T1 | W-BL | | | 2 | | | | 19 | 1 |
| | | LK | G-W | | | 33 | | | | 11 | 35 |
| | | A1 | O-W | | | | 2 | | | 12 | 2 |
| | | SPO | W-O | | | 34 | | | | * | * |
| | | AG | W-G | | | | 1 | | | 5 | 11 |
| | | Strap | BK | 10 | | | | | * | | |
| | Strap | BK | 20 | | | | | * | | | |
| | D-180492 Kit of Parts | CE | BL-BK | | | | | | 10 | | |
| | | DB+ | BK-BL | | | | | | 15 | | |
| | | SHa | R-BL | | | | | | 32 | | |
| LK | | BL-R | | | | | | 33 | | | |
| SHi | | G-W | | | | | | 18 | | | |
| PFR | | BL-V | | | | | | 20 | | | |
| VDD | | W-G | | | | | | 21 | | | |
| 666B Trmtr | T7A Cord | M1 | S-BK | | | | | | 4 | 7 | |
| | | P1 | BL-R | | | | | | 13 | 8 | |
| | | -15V | BK-S | | | | | | 14 | 16 | |
| | | S | O-BK | | | | | | 3 | 18 | |
| | | A1 | Y-O | | | | | | 29 | 19 | |
| | | F1 | G-Y | | | | | | 2 | 17 | |
| | | LK | BK-O | | | | | | 11 | 35 | |

TABLE B (Cont)

CONNECTIONS – 2870A1M OR 2870A2M TELEPHONE SET WITH 3B SPEAKERPHONE

| APPARATUS | CORD OR WIRE | LEAD | | TEL SET | CONNECT | | | | | |
|-------------------------------------|-------------------|-------|-------|-----------------|---------|----|---------------------|---------|---------------------|-----|
| | | | | | FROM | | TO | | | |
| | | DESIG | COLOR | REMOVE FROM PSB | TEL SET | | 44-TYPE BLOCK TERM. | TEL SET | CONTROL UNIT (NOTE) | |
| | | | | | PSB | TB | | PSB | | |
| | | | | | | | | 55A | 55B | |
| 760A LSPK | R2FK Cord | SP1 | G | | | | | | 34 | 20 |
| | | SP2 | R | | | | | | 33† | 29† |
| 95B-Type Power Unit (2870A1M) | D-Station Wire | AC1 | | | | | 6 | | | |
| | | AC2 | | | | | 7 | | | |
| 95B-Type Power Unit (2870A2M) | M2SL-87 Cord | AC1 | Y | | | | | 30§ | | |
| | | AC2 | BK | | | | | 31§ | | |
| 2012B Trnsf | D-Station Wire | AC1 | | | | | | | 27 | 27 |
| | | AC2 | | | | | | | 36 | 36 |

* Insulate and store.

† To reduce loudspeaker volume, move SP2 lead to terminal 24 (55A) or 30 (55B).

‡ Accepts D4BU or D6AM mounting cord which connects set to modular connecting block.

§ Connected at factory.

Note: Strap terminals 20 and 21 (55A) or 4 and 5 (55B). If a 55A control unit is used it must have been modified for use with TOUCH-TONE® set. Control units having this modification are stamped 55A* (Modified).

TABLE C

CONNECTIONS – 2870A1M OR 2870A2M TELEPHONE SET WITH ONE-TOUCH CALLING,
(DIAL TONE DETECTOR AND 3B SPEAKERPHONE)

| APPARATUS | CORD OR WIRE | LEAD | | TEL SET | CONNECT | | | | | | |
|-----------|--------------------------------------------|-----------------------------|-------|-----------------|---------------------|---------|-----|---------------------|----|----|----|
| | | | | REMOVE FROM PSB | FROM | | TO | | | | |
| | | TEL SET | | | 44-TYPE BLOCK TERM. | TEL SET | | CONTROL UNIT (NOTE) | | | |
| | | PSB | TB | | | PSB | 55A | 55B | | | |
| Tel Set | Mtg Cord D6AD-87 (2870A1M) | R | BL-W | | | | 1 | | | | |
| | | T | W-BL | | | | 2 | | | | |
| | | A1 | O-W | | | | 4 | | | | |
| | | A | W-O | | | | 5 | | | | |
| | | AC1 | G-W | | | | 6 | | | | |
| | | AC2 | W-G | | | | 7 | | | | |
| | | 623P6 Jack Assy (2870A2M) † | Spare | W | | | | | | | |
| | A | | BK | | | | | | | | |
| | R | | R | | | | | | | | |
| | T | | G | | | | | | | | |
| | A1 | | Y | | | | | | | | |
| | Spare | | BL | | | | | | | | |
| | Speaker-phone Interconnection cord D6AD-87 | R1 | BL-W | | 11 | | | | | 28 | 10 |
| | | T1 | W-BL | | 2 | | | | | 19 | 1 |
| | | LK | G-W | | 33 | | | | | 11 | 35 |
| | | A1 | O-W | | | 2 | | | | 12 | 2 |
| | | SPO | W-O | | 34 | | | | | 3 | 18 |
| | | AG | W-G | | | 1 | | | | 5 | 11 |
| | | Strap | BK | | 10 | | | | | * | |
| | BK | | | 19 | | | | | * | | |
| | BK | | | 20 | | | | | * | | |
| | BK | | | 26 | | | | | * | | |
| | BK | | | 29 | | | | | * | | |
| | D-180493 Kit of Parts | Dial Tone Detector | Input | G-R | | | | | 2 | | |
| | | | PB | O-BK | | | | | 9 | | |
| | | | Input | G-R | | | | | 11 | | |
| | | | LK | Y-G | | | | | 33 | | |
| DT | | | O-Y | | | | | 19 | | | |
| VDD | | | R-O | | | | | 21 | | | |
| DR | | | Y-O | | | | | 24 | | | |
| PL | | | O-R | | | | | 25 | | | |
| DTT | | | BL-Y | | | | | 26 | | | |
| SPR | | | Y-BL | | | | | 27 | | | |
| COM | | | BK-O | | | | | 29 | | | |
| SPO | G-Y | | | | | 34 | | | | | |

TABLE C (Cont)

CONNECTIONS – 2870A1M OR 2870A2M TELEPHONE SET WITH ONE-TOUCH CALLING,
(DIAL TONE DETECTOR AND 3B SPEAKERPHONE)

| APPARATUS | | CORD OR WIRE | LEAD | | TEL SET | CONNECT | | | | | |
|-------------------------------|----------------|--------------|-------|-------|-----------------|---------|-----|---------------------|---------|---------------------|-----|
| | | | | | | FROM | | TO | | | |
| | | | DESIG | COLOR | REMOVE FROM PSB | TEL SET | | 44-TYPE BLOCK TERM. | TEL SET | CONTROL UNIT (NOTE) | |
| | | | | | | PSB | TB | | PSB | 55A | 55B |
| D-180493 Kit of Parts (cont) | Switch § | S1 | S | | | | 28 | | | | |
| | | S2 | S | | | | 29 | | | | |
| D-180492 Kit of Parts | | CE | BL-BK | | | | 10 | | | | |
| | | DB+ | BK-BL | | | | 15 | | | | |
| | | SHa | R-BL | | | | 32 | | | | |
| | | LK | BL-R | | | | 33 | | | | |
| | | SHi | G-W | | | | 18 | | | | |
| | | PFR | BL-V | | | | 20 | | | | |
| | | VDD | W-G | | | | 21 | | | | |
| 666B Trmtr | T7A Cord | M1 | S-BK | | | | | 4 | 7 | | |
| | | P1 | BL-R | | | | | 13 | 8 | | |
| | | -15V | BK-S | | | | | 14 | 16 | | |
| | | S | O-BK | | | | | 3 | 18 | | |
| | | A1 | Y-O | | | | | 29 | 19 | | |
| | | F1 | G-Y | | | | | 2 | 17 | | |
| | | LK | BK-O | | | | | 11 | 35 | | |
| 760A LSPK | R2FK Cord | SP1 | G | | | | | 34 | 20 | | |
| | | SP2 | R | | | | | 33† | 29† | | |
| 95B-Type Power Unit (2870A1M) | D-Station Wire | AC1 | | | | 6 | | | | | |
| | | AC2 | | | | 7 | | | | | |
| 95B-Type Power Unit (2870A2M) | M2SL-87 Cord | AC1 | Y | | | | 30¶ | | | | |
| | | AC2 | BK | | | | 31¶ | | | | |
| 2012B Trnsf | D-Station Wire | AC1 | | | | | | 27 | 27 | | |
| | | AC2 | | | | | | 36 | 36 | | |

* Insulate and store.

† To reduce loudspeaker volume, move SP2 lead to terminal 24 (55A) or 30 (55B).

‡ Accepts D4BU or D6AM mounting cord which connects set to modular connecting block.

§ One-touch calling switch must be set to ON position.

¶ Connected at factory.

Note: Strap terminals 20 and 21 (55A) or 4 and 5 (55B). If a 55A control unit is used it must have been modified for use with TOUCH-TONE® set. Control units having this modification are stamped: 55A* (Modified).

TABLE D

CONNECTIONS – 2870A1M OR 2870A2M TELEPHONE SET WITH 4A SPEAKERPHONE

| APPARATUS | CORD OR WIRE | LEAD | | TEL SET REMOVE FROM PSB | CONNECT TO | | | |
|-----------------|--------------------------------------|-------|-------|----------------------------------|------------|----|-------------------------|-----------------|
| | | DESIG | COLOR | | TEL SET | | 44-TYPE BLK TERM. | 223D ADAPTER |
| | | | | | PSB | TB | | |
| Tel Set | Mtg Cord D6AD-87 (2870A1M) | R | BL-W | | | | 1 | |
| | | T | W-BL | | | | 2 | |
| | | A1 | O-W | | | | 4 | |
| | | A | W-O | | | | 5 | |
| | | AC1 | G-W | | | | 6 | |
| | | AC2 | W-G | | | | 7 | |
| | | Spare | W | | | | | |
| | 623P6 Jack Assy (2870A2M) ‡ | A | BK | | | | | |
| | | R | R | | | | | |
| | | T | G | | | | | |
| | | A1 | Y | | | | | |
| | | Spare | BL | | | | | |
| | | Strap | BK | 10 | * | | | |
| | | Strap | BK | 20 | * | | | |
| | D-180492 Kit of Parts | | CE | BL-BK | | 10 | | |
| | | DB+ | BK-BL | | 15 | | | |
| | | SHa | R-BL | | 32 | | | |
| | | LK | BL-R | | 33 | | | |
| | | SHi | G-W | | 18 | | | |
| | | PFR | BL-V | | 20 | | | |
| | | VDD | W-G | | 21 | | | |
| | | | | | | | | |
| 223D Adapter | M16H¶ Cord | AC | R-G | | * | | | |
| | | AC | G-R | | * | | | |
| | | LK | O-W | | 33 | | | |
| | | Spare | O-R | | * | | | |
| | | Spare | R-O | | * | | | |
| | | K5M | BR-W | | * | | | |
| | | IT | W-G | | * | | | |
| | | IR | G-W | | * | | | |
| | | T1 | W-BL | | 2 | | | |
| | | R1 | BL-W | | 11 | | | |
| | | K4C | S-W | | * | | | |
| | | K5C | W-S | | * | | | |
| | | K4B | BL-R | | * | | | |
| | | K5B | R-BL | | * | | | |
| | | AG | W-O | | | | 1 | |
| | | A1 | W-BR | | | | 2 | |

TABLE D (Cont)

CONNECTIONS – 2870A1M OR 2870A2M TELEPHONE SET WITH 4A SPEAKERPHONE

| APPARATUS | CORD OR WIRE | LEAD | | TEL SET | CONNECT TO | | | |
|-------------------------------|----------------|-------|-------|-----------------|------------|----|-------------------|--------------------|
| | | DESIG | COLOR | REMOVE FROM PSB | TEL SET | | 44-TYPE BLK TERM. | 223D ADAPTER |
| | | | | | PSB | TB | | |
| 95B-Type Power Unit (2870A1M) | D-Station Wire | AC1 | | | | | 6 | |
| | | AC2 | | | | | 7 | |
| 95B-Type Power Unit (2870A2M) | M2SL-87 Cord | AC1 | Y | | 30 § | | | |
| | | AC2 | BK | | 31 § | | | |
| 680-Type Trmtr | D8S Cord | | | | | | | Plugs into adapter |
| 108-Type LSPK | D20N Cord | | | | | | | |
| 85B1 PWR Unit | M2FG Cord † | AC | BK | | | | | |
| | | AC | Y | | | | | |

* Insulate and store.

† Only (Y) and (BK) leads are terminated in plug of M2FG Cord.

‡ Accepts D4BU or D6AM mounting cord which connects set to modular connecting block.

§ Connected at factory.

¶ To provide strain relief, the S-hook of the M16H cord shall be retained by the screw in the telephone set already used to retain the D6AD-87 cord (2970A1M) or the M2SL-87 cord (2870A2M).

TABLE E

CONNECTIONS — 2870A1M OR 2870A2M TELEPHONE SET WITH ONE-TOUCH CALLING
(DIAL TONE DETECTOR AND 4A SPEAKERPHONE)

| APPARATUS | CORD OR WIRE | LEAD | | TEL SET | | CONNECT TO | | | |
|--------------------------|--------------------------------------|--------------------------|-------|-----------------|---------|------------|-------------------|--------------|--|
| | | DESIG | COLOR | REMOVE FROM PSB | TEL SET | | 44-TYPE BLK TERM. | 223D ADAPTER | |
| | | | | | PSB | TB | | | |
| Tel Set | Mtg Cord D6AD-87 (2870A1M) | R | BL-W | | | | 1 | | |
| | | T | W-BL | | | | 2 | | |
| | | A1 | O-W | | | | 4 | | |
| | | A | W-O | | | | 5 | | |
| | | AC1 | G-W | | | | 6 | | |
| | | AC2 | W-G | | | | 7 | | |
| | 623P6 Jack Assy (2870A2M) ‡ | Spare | W | | | | | | |
| | | A | BK | | | | | | |
| | | R | R | | | | | | |
| | | T | G | | | | | | |
| | | A1 | Y | | | | | | |
| | | Spare | BL | | | | | | |
| | | Strap | BK | 10 | * | | | | |
| | | Strap | BK | 19 | * | | | | |
| | | Strap | BK | 20 | * | | | | |
| | | Strap | BK | 26 | * | | | | |
| | D-180493 Kit of Parts | Dial Tone Detector | Input | G-R | | | 2 | | |
| | | | PB | O-BK | | | 9 | | |
| | | | Input | G-R | | | 11 | | |
| LK | | | Y-G | | | 33 | | | |
| DT | | | O-Y | | | 19 | | | |
| VDD | | | R-O | | | 21 | | | |
| DR | | | Y-O | | | 24 | | | |
| PL | | | O-R | | | 25 | | | |
| DTT | | | BL-Y | | | 26 | | | |
| SPR | | | Y-BL | | | 27 | | | |
| COM | | | BK-O | | | 29 | | | |
| SPO | | | G-Y | | | 34 | | | |
| Switch ¶ | | S1 | S | | | | 28 | | |
| | S2 | S | | | | 29 | | | |
| D-180492 Kit of Parts | | CE | BL-BK | | | 10 | | | |
| | | DB+ | BK-BL | | | 15 | | | |
| | | SHa | R-BL | | | 32 | | | |
| | | LK | BL-R | | | 33 | | | |
| | | SHi | G-W | | | 18 | | | |

TABLE E (Cont)

**CONNECTIONS – 2870A1M OR 2870A2M TELEPHONE SET WITH ONE-TOUCH CALLING,
(DIAL TONE DETECTOR AND 4A SPEAKERPHONE)**

| APPARTUS | CORD OR WIRE | LEAD | | TEL SET REMOVE FROM PSB | CONNECT TO | | | |
|----------------------------------|-------------------|-------|-------|----------------------------------|------------|----|-------------------------|--------------------------|
| | | DESIG | COLOR | | TEL SET | | 44-TYPE BLK TERM. | 223D ADAPTER |
| | | | | | PSB | TB | | |
| D-180492 Kit of Parts (Cont) | | PFR | BL-V | | 20 | | | |
| | | VDD | W-G | | 21 | | | |
| 223D Adapter | M16H Cord | AC | R-G | | * | | | |
| | | AC | G-R | | * | | | |
| | | LK | O-W | | 33 | | | |
| | | Spare | O-R | | * | | | |
| | | Spare | R-O | | * | | | |
| | | K5M | BR-W | | * | | | |
| | | IT | W-G | | * | | | |
| | | IR | G-W | | * | | | |
| | | T1 | W-BL | | 2 | | | |
| | | R1 | BL-W | | 11 | | | |
| | | K4C | S-W | | * | | | |
| | | K5C | W-S | | * | | | |
| | | K4B | BL-R | | * | | | |
| | | K5B | R-BL | | * | | | |
| | | AG | W-O | | | | 1 | |
| A1 | W-BR | | | 2 | | | | |
| 95B-Type Power Unit (2870A1M) | D-Station Wire | AC1 | | | | | 6 | |
| | | AC2 | | | | | 7 | |
| 95B-Type Power Unit (2870A2M) | M2SL-87 Cord | AC1 | Y | | 30 § | | | |
| | | AC2 | BK | | 31 § | | | |
| 680-Type Trmtr | D8S Cord | | | | | | | Plugs into adapter |
| 180-Type LSPK | D20N Cord | | | | | | | |
| 85B1 PWR Unit | M2FG† | AC | BK | | | | | |
| | | AC | Y | | | | | |

* Insulate and store.

† Only (Y) and (BK) leads are terminated in plug of M2FG cord.

‡ Accepts D4BU or D6AM mounting cord which connects set to modular connecting block.

§ Connected at factory.

¶ One-touch calling switch must be set to ON position.

TABLE F

**CONNECTIONS – 2870A1M OR 2870A2M TELEPHONE SET WITH
DIAL TONE DETECTOR ONLY**

| APPARATUS | CORD OR WIRE | LEAD | | TEL SET REMOVE FROM PSB | CONNECT TO | | |
|----------------------------------|-------------------------------------|--------------------------------------|-------|----------------------------------|----------------|-------------------------|--|
| | | DESIG | COLOR | | TEL SET PSB | 44-TYPE BLK TERM. | |
| Tel Set | Mtg Cord D6AD-87 (2870A1M) | R | BL-W | | | 1 | |
| | | T | W-BL | | | 2 | |
| | | A1 | O-W | | | 4 | |
| | | A | W-O | | | 5 | |
| | | AC1 | G-W | | | 6 | |
| | | AC2 | W-G | | | 7 | |
| | | 623P6 Jack Assy (2870A2M) ‡ | Spare | W | | | |
| | A | | BK | | | | |
| | R | | R | | | | |
| | T | | G | | | | |
| | A1 | | Y | | | | |
| | | Spare | BL | | | | |
| | | Strap | BK | 19 | * | | |
| | | Strap | BK | 26 | * | | |
| D-180493 Kit of Parts | Dial Tone Detector | Input | G-R | | | 2 | |
| | | PB | O-BK | | | 9 | |
| | | Input | G-R | | | 11 | |
| | | LK | Y-G | | | * | |
| | | DT | O-Y | | | 19 | |
| | | VDD | R-O | | | 21 | |
| | | DR | Y-O | | | 24 | |
| | | PL | O-R | | | 25 | |
| | | DTT | BL-Y | | | 26 | |
| | | SPR | Y-BL | | | * | |
| | | COM | BK-O | | | 29 | |
| | | SPO | G-Y | | | * | |
| | Switch § | S1 | S | | | * | |
| S2 | | S | | | * | | |
| 95B-Type Power Unit (2870A1M) | D-Station Wire | AC1 | | | | 6 | |
| | | AC2 | | | | 7 | |
| 95B-Type Power Unit (2870A2M) | M2SL-87 Cord | AC1 | Y | | | 30 ¶ | |
| | | AC2 | BK | | | 31 ¶ | |

* Insulate and store.

† Switch not used for this option.

‡ Accepts D4BU or D6AM mounting cord which connects set to modular connecting block.

§ Switch is not required when speakerphone is not provided.

¶ Connected at factory.

TABLE G
CONNECTIONS FOR D-180818 KIT OF PARTS

| D- KIT SWITCH LEADS | | TERMINAL POSTS FOR SWITCH LEAD CONNECTORS (Note 3) | |
|------------------------|-------------------|-------------------------------------------------------|---------------------------------------------------------|
| DESIG. | COLOR (NOTE 1) | RECORD DISABLE ONLY | RECORD DISABLE AND DIAL INTERMIX FEATURE (NOTE 2) |
| WDC | BK † | * | 1 |
| VDD | R | 2 | 2 |
| RCRD | BK | 3 | 3 |

* Insulate and store.

† Single position connector.

Note 1: These are connectors attached to the switch leads. A single position connector with a (BK) lead and a double position connector with a (R) and (BK) lead.

Note 2: When this option is provided the LAST NUMBER DIALED (LND) feature is disabled and the 32nd memory may be used just like any other memory.

Note 3: These posts are on the 2870B Memory PWB (Fig. 5).

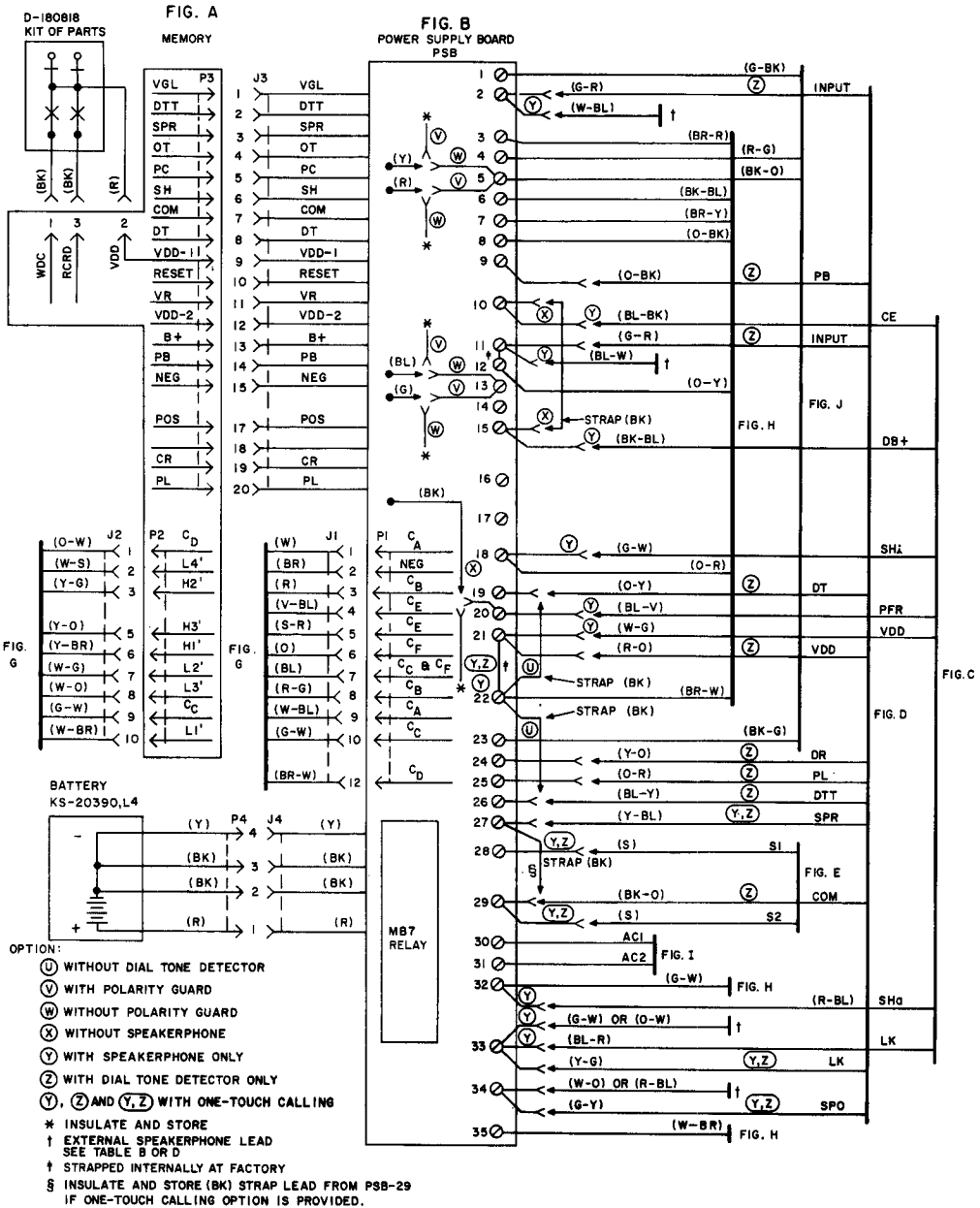


Fig. 8—Telephone Set, Connections (Sheet 1 of 4)

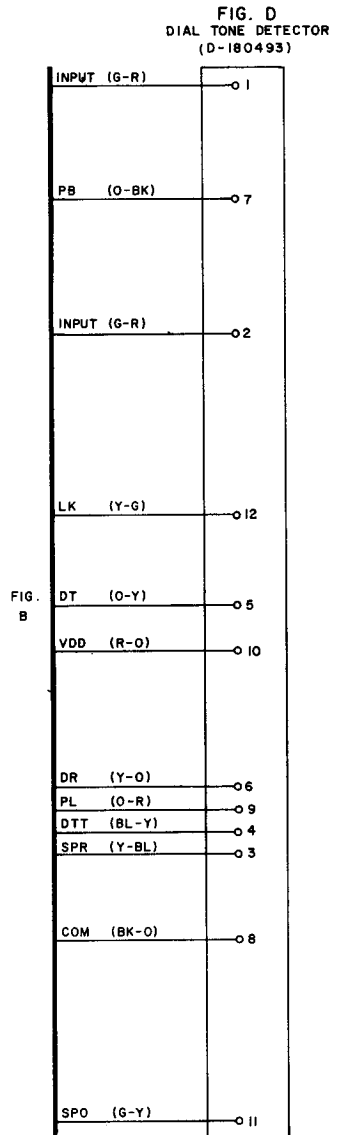
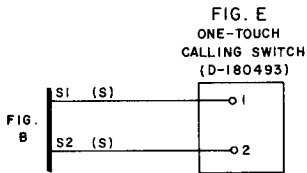
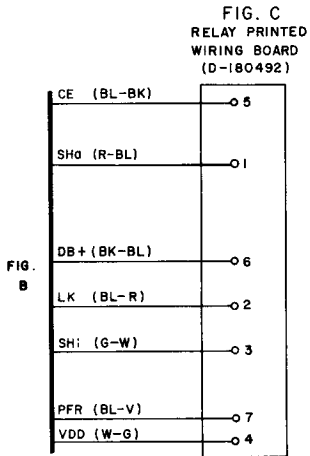


Fig. 8—Telephone Set, Connections (Sheet 2 of 4)

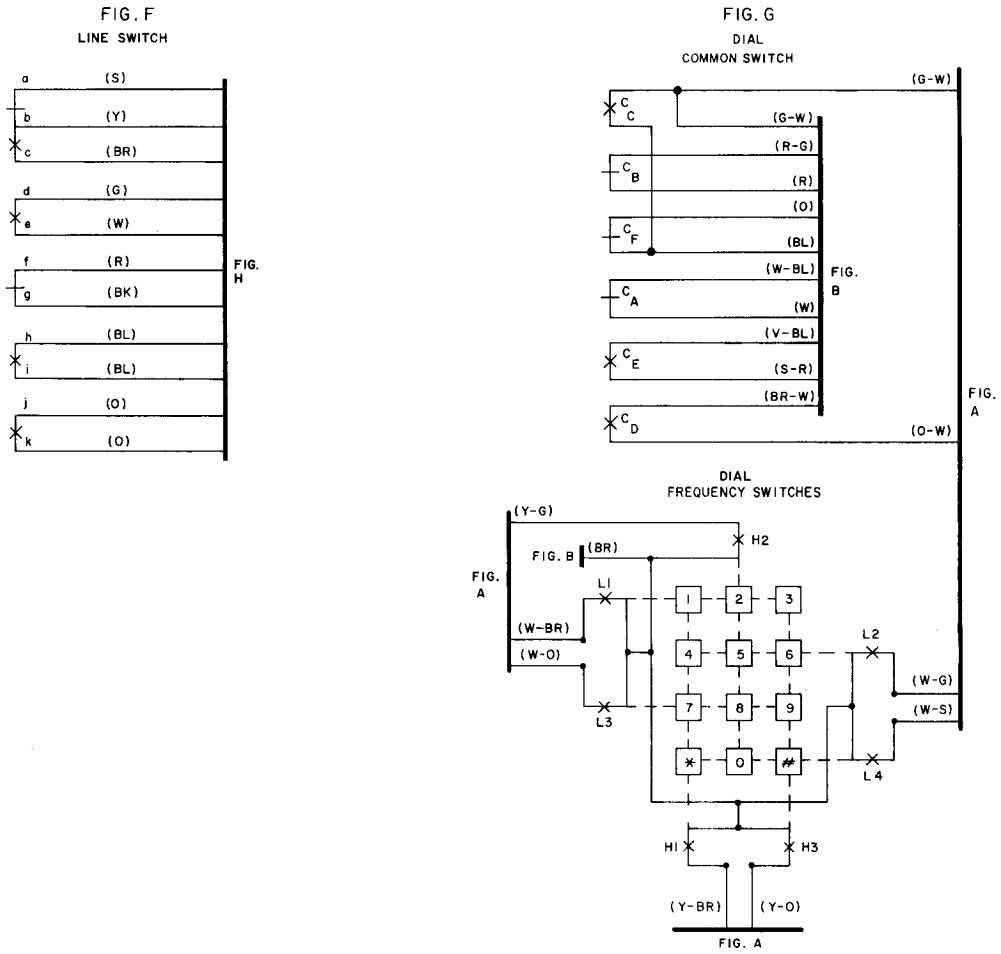


Fig. 8—Telephone Set, Connections (Sheet 3 of 4)

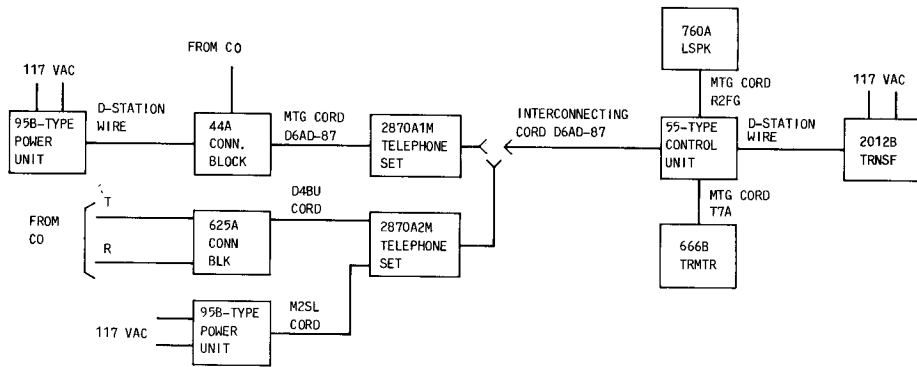


Fig. 9—Block Diagram—Telephone Set With 3B (MD) Speakerphone

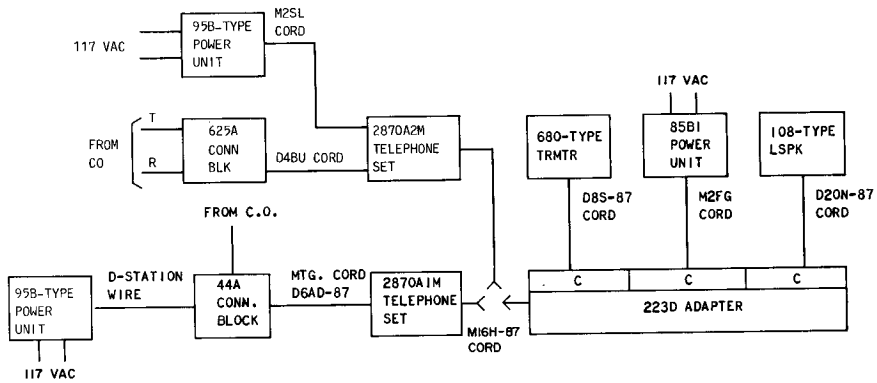


Fig. 10—Block Diagram—Telephone Set With 4A Speakerphone

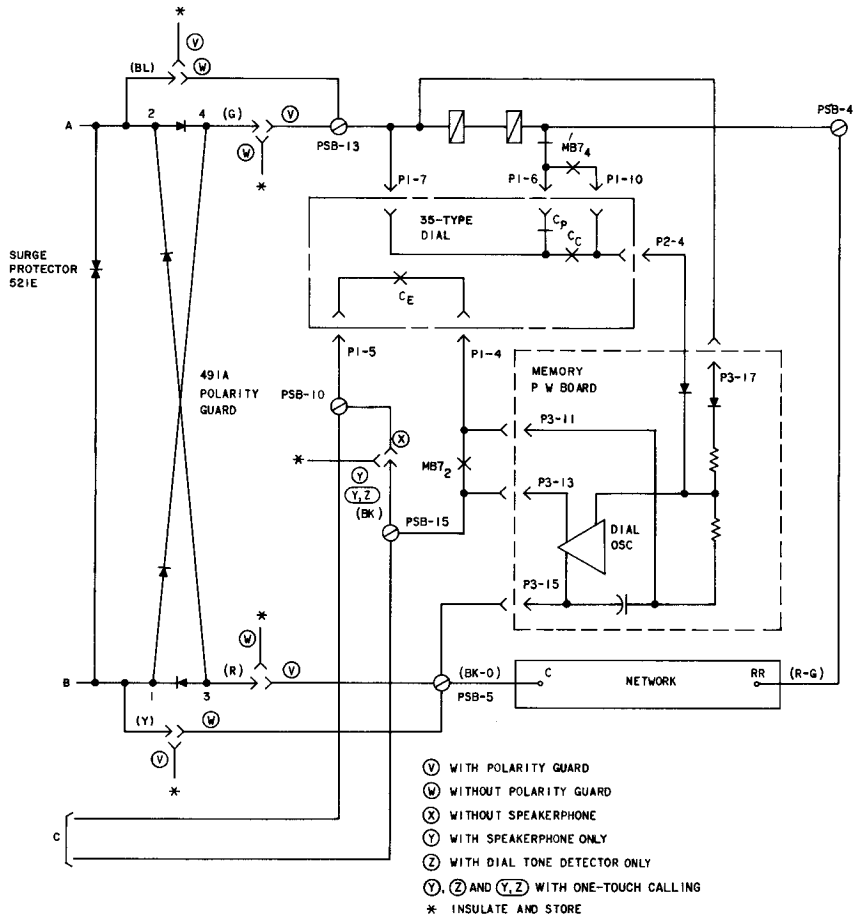


Fig. 11—Telephone Set—Partial Functional Schematic (Sheet 2 of 2)

TABLE H

TROUBLE ANALYSIS – 2870A1M OR 2870A2M TELEPHONE SET

| TROUBLE NUMBER | FAILURE | ADDITIONAL SYMPTOM | POSSIBLE CAUSE | REMEDIAL ACTION |
|----------------|--------------------------------------------------------|-----------------------------------------------------------------------------------------------------------|-------------------------------------------------------------------------------|------------------------------------------------------------------------|
| 1 | Dead Set | | Mounting cord improperly connected at equipment end | Check mounting cord connections |
| | | | Bad connection between handset and telephone set | 1. Check handset cord connections 2. Check handset jack connections |
| | | | Defective receiver | Check handset |
| | | | Unknown | Replace telephone set* |
| | | Dial tone is not present when speakerphone is on | Open tip or ring lead | Check leads |
| | Dial tone is present when speakerphone is on | Defective switchhook d-e or j-k contacts | Replace telephone set* | |
| 2 | Cannot transmit or receive when off-hook using handset | | Handset cord improperly inserted into handset or jack in telephone set | Check handset cord and/or handset |
| | | Dial tone present, sidetone absent. No audible TOUCH-TONE® signal | 12-pin connector or dial not properly inserted on pins on power supply board | 1. Check connector insertion 2. Replace dial |
| | | | Defective 616B jack | Replace 616B jack |
| | | | Defective network | Replace telephone set* |
| 3 | Cannot manually dial when off-hook | Clicking sounds or damped TOUCH-TONE signals heard when dial buttons are depressed Cannot hang up set. | Bridged set off-hook | Place bridged set on-hook |
| | | No audible TOUCH-TONE signal present | 20-pin power supply connector not properly inserted on pins on Memory PWB | Check connector insertion |
| | | | Dial connectors not properly inserted | 1. Check connector insertion 2. Replace dial |
| | | | Defective Memory PWB | Replace Memory |
| | | | Unknown | Replace telephone set* |
| | Some TOUCH-TONE dial frequencies incorrect | Static discharge damage | 1. Contact TELCO Engineer for proper grounding procedure 2. Replace Memory | |

* Refer to 6.02 (4).

TABLE H (Cont)

TROUBLE ANALYSIS – 2870A1M OR 2870A2M TELEPHONE SET

| TROUBLE NUMBER | FAILURE | ADDITIONAL SYMPTOM | POSSIBLE CAUSE | REMEDIAL ACTION |
|----------------|--------------------------------------------------------------|--------------------------------------------------------------------------------|----------------------------------------------------------|---------------------------------------------------------------------------------------------------|
| 4 | Cannot manually dial some digits when off-hook | | Open or loose leads to dial contacts | Check for proper insertion of leads into 10-position dial connector |
| | | | Defective frequency contacts on dial | Replace dial |
| | | | Defective Memory PWB | Replace Memory |
| | | | Unknown | Replace telephone set* |
| 5 | Cannot manually dial off-hook for ac power failure condition | Can manually dial off-hook with ac power on | Open strap lead between screw terminals 10 and 15 on PSB | Repair or replace strap lead |
| | | | Open path on PSB | Replace telephone set* |
| 6 | RECORD lamp does not function properly | RECORD lamp does not turn on when RECORD button is on and cannot be turned off | Battery not plugged in or defective | Plug in or replace battery |
| | | RECORD lamp does not turn on when RECORD button is depressed | AC power not present | Check for commercial power |
| | | | Feature switch of D-180818 Kit of Parts in ON position | Change feature switch position to OFF |
| | | | AC power unit not plugged in or defective | Check or replace power unit (should read 13.4 to 18 V ac across screw terminals 30 and 31 on PSB) |
| | | | Open in IW | Check IW and connections |
| | | | Memory, RECORD OFF or WAIT button stuck down | Clear stuck button |
| | | | Defective lamp or lamp driver circuit | Replace Memory |
| | | | Static discharge damage | 1. Consult TELCO engineer for proper grounding procedure 2. Replace Memory |
| Unknown | Replace telephone set* | | | |

* Refer to 6.02(4).

TABLE H (Cont)

TROUBLE ANALYSIS — 2870A1M OR 2870A2M TELEPHONE SET

| TROUBLE NUMBER | FAILURE | ADDITIONAL SYMPTOM | POSSIBLE CAUSE | REMEDIAL ACTION |
|----------------|---------------------------------------------------------------------------------------------|----------------------------------------------------------------------------------------------------------------------------------------------------------------|-------------------------------------------------------------------------------------------------------------------------------------------------------------------------------------|--------------------------------------------------------|
| 6 (Cont) | | Record lamp flashes or lights erratically | Battery plug not connected | Connect battery plug |
| | | | Unknown | Replace telephone set* |
| | | Lamp turns off, flashes, or lights erratically when any memory button is depressed or Lamp does not momentarily turn off when a dial button is depressed | Defective logic | Replace Memory |
| | | | Unknown | Replace telephone set* |
| 7 | Cannot record into memory | RECORD lamp momentarily flashes when RECORD button is depressed | Stuck RECORD OFF button | Check RECORD OFF button |
| | | | WAIT contacts closed even when WAIT button is not depressed | 1. Check WAIT button 2. Replace Memory |
| 8 | Cannot record properly into the 31 memory positions or into the LAST NUMBER DIALED position | Warble tones heard when automatically dialing. Get "cannot complete" intercept for automatic or manual dialing | WAIT contacts closed even when WAIT button is not depressed | Replace Memory |
| | | | Party is reached when number is recorded as it is manually dialed. However, when number is subsequently dialed from memory, party is not reached—wrong number is dialed from memory | Feature switch of D-180818 Kit of Parts in ON position |
| | | Incorrect dial contact sequence | Replace dial | |
| | | Defective logic | Replace Memory | |
| | | | Open circuit on PSB | Replace telephone set* |

* Refer to 6.02 (4).

TABLE H (Cont)

TROUBLE ANALYSIS – 2870A1M OR 2870A2M TELEPHONE SET

| TROUBLE NUMBER | FAILURE | ADDITIONAL SYMPTOM | POSSIBLE CAUSE | REMEDIAL ACTION | |
|-----------------------------------------------|----------------------------------|----------------------------------------------------------------------------------------------------------------------------|------------------------------------------|--------------------------------------------------------------------------------------------------------------------------------------------------------|---------------------------------------------|
| 9 | Cannot dial properly from memory | | Did not record properly | 1. Record per 5.01 2. See No. 7 | |
| | | MB7 relay does not operate (no clicking sound heard) when memory button is depressed. No audible TOUCH-TONE signal present | Battery plug not connected | Connect battery plug | |
| | | | Memory not securely mounted | Tighten Memory mounting screws | |
| | | | Open circuit in power path | Check for proper strap lead connections on PSB. See Fig. 8 (D). | |
| | | | Defective logic | Replace Memory | |
| | | | Defective line switch h-i contacts | Replace telephone set* | |
| | | MB7 relay operates (clicking sound heard) but holds for less than 0.1 second for a 15 digit number | Incorrect dial sequence | Replace dial | |
| | | | | | No audible TOUCH-TONE signal present |
| | | | | | Audible gap in train of digits being dialed |
| | | Digit dialed too rapidly (fast dialer) | Noise on ac power line (2870A1M tel set) | 1. Minimize wire length between 95B-type power unit and telephone set 2. Insert 145A filter between 95B-type power unit and commercial power outlet | |
| Defective power supply PWB assembly (2870A2M) | Replace telephone set* | | | | |

* Refer to 6.02 (4).

TABLE H (Cont)

TROUBLE ANALYSIS – 2870A1M OR 2870A2M TELEPHONE SET

| TROUBLE NUMBER | FAILURE | ADDITIONAL SYMPTOM | POSSIBLE CAUSE | REMEDIAL ACTION |
|------------------------------------------------------------------------------------------------------------------|----------------------------------------------------------------------------------------------|--------------------------------------------------------------------------------------------------------------------------------------------------------------------------|-----------------------------------------------------------|--------------------------------------------------------------------------------------------------------------------------------------------------------------------------------------------------------------------------------------------------------------------------------------------------------------------------------------------------------------|
| 9 (Cont) | | No digits or random digits in memory | An ac power outage for 24 hours or longer | Reestablish ac power and rerecord numbers into memory |
| | | | Disconnected or defective battery | <ol style="list-style-type: none"> 1. Plug in the battery 2. Allow the battery to be charged for a minimum of 5 minutes. Then momentarily remove the 95B-type power unit from the ac power outlet and reinsert 3. If previously stored numbers are not dialed from memory, replace the battery 4. Repeat procedure |
| | | | Defective power supply circuit | Replace telephone set* |
| | | No digits or all the same digits in random memory locations | Defective Memory | Replace Memory |
| | | Two or more memory locations have some digits which are usually different from originally recorded digits | Static discharge damage | <ol style="list-style-type: none"> 1. Consult your TELCO engineer for proper grounding procedures 2. Replace Memory |
| Automatically dials through a "wait" after pausing momentarily at the "wait" space on a train of recorded digits | Defective WAIT contacts or defective circuit components | <ol style="list-style-type: none"> 1. Replace Memory 2. Replace dial tone detector PWB assembly of D-180493 Kit of Parts (if option is provided) | | |
| 10 | Cannot manually dial off-hook for ac power failure condition (Wired for speakerphone option) | With a strap lead between screw terminals 10 and 15 on PSB can manually dial off-hook for ac power failure condition | Defective circuit or connections on D-180492 Kit of Parts | <ol style="list-style-type: none"> 1. Check connections per Table B, C, D, or E 2. Replace D-180492 Kit of Parts |
| 11 | Cannot turn speakerphone on when ON button is depressed (Wired for speakerphone option) | Speakerphone indicator lamp does not turn on. | Handset off-hook | Place handset on-hook |
| | | No dial tone heard, but indicator lamp turns on | Open T1 or R1 leads | Check connections |

* Refer to 6.02 (4).

TABLE H (Cont)

TROUBLE ANALYSIS — 2870A1M OR 2870A2M TELEPHONE SET

| TROUBLE NUMBER | FAILURE | ADDITIONAL SYMPTOM | POSSIBLE CAUSE | REMEDIAL ACTION |
|----------------|----------------------------------------------------------------------------------------------|------------------------------------------------------------------------------------------------------------------------------|------------------------------------------------------------------------------|--------------------------------------------------------------------------------------------------------------------------------------------------------------------------------------------------------------------------------------------------------------------------------------------------------------------------------------------------------------------------------------------------------------------------------------|
| 11 (Cont) | | Speakerphone indicator lamp does not turn on | Improper connections or defective speakerphone power unit | <ol style="list-style-type: none"> 1. Check connections per Table B, C, D, or E 2. Check that speakerphone power unit is plugged into commercial ac power outlet 3. Check for commercial power 4. Check speakerphone power unit for correct output. (85B1 power unit, 18 to 25 V ac across secondary screw terminals) (2012B transformer, 15 to 18 V ac across secondary screw terminals). |
| | | | Improper connections or defective 95B-type power unit | <ol style="list-style-type: none"> 1. Check connections 2. Check or replace 95B-type power unit (should read 13.4 to 18 V ac across screw terminals 30 and 31 on PSB) |
| | | With temporary strap added between power supply screw terminals 32 and 33, speakerphone turns on when ON button is depressed | Defective 327A relay, MA3 relay or connecting leads on D-180492 Kit of Parts | Replace D-180492 Kit of Parts |
| | | With temporary strap added between screw terminals 2 and 3 on TB, speakerphone turns on when ON button is depressed | Defective switchhook a-b contacts | Replace telephone set* |
| | | With temporary strap added between screw terminals TB-3 and PSB-32, speakerphone turns on when ON button is depressed | Open lead between TB-3 and PSB-32 | Replace (G-W) lead between TB-3 and PSB-32 |
| | | | Defective speakerphone | See appropriate speakerphone BSP |
| 12 | Cannot turn speakerphone off when handset is lifted off-hook (Wired for speakerphone option) | Speakerphone turns off when OFF button is depressed but turns on when OFF button is released | Short circuit between screw terminals 2 and 3 on TB | Clear short |
| | | | Defective switchhook a-b contacts | Replace telephone set* |

* Refer to 6.02 (4).

TABLE H (Cont)

TROUBLE ANALYSIS – 2870A1M OR 2870A2M TELEPHONE SET

| TROUBLE NUMBER | FAILURE | ADDITIONAL SYMPTOM | POSSIBLE CAUSE | REMEDIAL ACTION |
|----------------|--------------------------------------------------------------------------------------------------------|---------------------------------------------------------------------------------------------------------------------------|--------------------------------------------------------------------------------------|--------------------------------------------------------------------|
| 13 | RECORD lamp does not turn off when speakerphone ON button is depressed (Wired for speakerphone option) | Speakerphone indicator lamp does not turn on | Handset off-hook | Place handset on-hook |
| | | With temporary strap added between screw terminals 32 and 33 on PSB, speakerphone turns on when ON button is depressed | Improper connections or defective LK relay circuit on D-180492 Kit of Parts | 1. Check connections 2. Replace D-180492 Kit of Parts |
| | | Operation of RECORD OFF button turns RECORD lamp off | Defective switchhook h-i contacts | Replace telephone set* |
| 14 | Cannot break dial tone when dialing with speakerphone on (Wired for speakerphone option) | Cannot manually dial when off-hook | Refer to trouble number 3 | Refer to trouble number 3 |
| | | When dial button is depressed, audible level of TOUCH-TONE signal is high on speakerphone | Defective muting circuit on PSB | Replace telephone set* |
| 15 | Cannot hear tones when dialing with speakerphone on (Wired for speakerphone option) | With the speakerphone ON button held depressed, the audible tone level is normal | Physical spacing between speakerphone loudspeaker and transmitter units is too close | See appropriate speakerphone BSP for proper placement of units |
| | | Normal conversational level on speakerphone | Defective muting circuit on PSB | Replace telephone set* |
| 16 | Cannot turn speakerphone off (Wired for one-touch option) | Speakerphone turns off when OFF button is depressed but turns on when OFF button is released | Strap lead on screw terminal 29 on PSB was not removed when option was wired | Remove the strap lead from terminal 29 on PSB, insulate and store |
| | | Speakerphone turns off and stays off when (Y-BL) lead is disconnected from terminal 27 on PSB and OFF button is depressed | Defective output logic level from Memory PWB | Replace Memory |
| | | Speakerphone turns off when handset is taken off-hook but turns on when handset is placed on-hook | Defective circuit on D-180493 Kit of Parts | Replace dial tone detector board assembly of D-180493 Kit of Parts |

* Refer to 6.02 (4)

TABLE H (Cont)

TROUBLE ANALYSIS – 2870A1M OR 2870A2M TELEPHONE SET

| TROUBLE NUMBER | FAILURE | ADDITIONAL SYMPTOM | POSSIBLE CAUSE | REMEDIAL ACTION |
|----------------------------------------------------|----------------------------------------------------------------------------------------------------------------------------------------|------------------------------------------------------------------------------------------------------------------------|----------------------------------------------------------------------------------------|-------------------------------------------------------------------------------------------------------------------------------------------------------------------------------|
| 17 | Speakerphone does not turn on when a memory button is momentarily depressed in the automatic dialing mode (Wired for one-touch option) | MB7 relay does not operate (no click heard) when memory button is depressed | Battery plug not connected | Connect battery plug |
| | | With temporary strap between screw terminals 28 and 29 on PSB, speakerphone turns on when a memory button is depressed | One-touch calling switch turned off or defective | 1. Turn one-touch calling switch on 2. Replace one-touch calling switch assembly of D-180493 Kit of Parts |
| | | | Defective dial tone detector D-180493 Kit of Parts | Replace dial tone detector PWB assembly of D-180493 Kit of Parts |
| | | With temporary strap between screw terminals 33 and 34 on PSB, speakerphone turns on when a memory button is depressed | Defective connections between dial tone detector and PSB | Check (Y-G) and (G-Y) leads to PSB terminals 33 and 34, respectively |
| Defective dial tone detector D-180493 Kit of Parts | Replace dial tone detector PWB assembly of D-180493 Kit of Parts | | | |
| 18 | Delay time between depression of a memory button and initiation of automatic dialing exceeds 3-seconds (Wired for one-touch option) | | Defective timing circuit | 1. Replace Memory 2. Replace dial tone detector PWB assembly of D-180493 Kit of Parts |
| 19 | Speakerphone turns on but set does not automatically dial when memory button is depressed (Wired for one-touch option) | | Strap leads to screw terminals 19 and 26 on PSB were not removed when option was wired | Remove strap leads from terminals 19 and 26 on PSB insulate and store |
| | | Set dials when screw terminals 26 and 29 on PSB are temporarily shorted | Precise dial tone not present | 1. Check CO line for presence of precise dial tone (350 Hz and 440 Hz) 2. If correct dial tone is present, replace dial tone detector PWB assembly of D180493 Kit of Parts |
| | | Set does not dial from memory when screw terminals 26 and 29 on PSB are temporarily shorted | Defective logic | Replace Memory |

TABLE H (Cont)

TROUBLE ANALYSIS – 2870A1M OR 2870A2M TELEPHONE SET

| TROUBLE NUMBER | FAILURE | ADDITIONAL SYMPTOM | POSSIBLE CAUSE | REMEDIAL ACTION |
|----------------|-----------------------------------------------------------------------------------------------------|-------------------------------------------------------------------------------------------------|--------------------------------------------------------------|---------------------------------------------------------------------------------------------------------------------------------------------------------------------|
| 20 | Automatic dialing commences for no apparent reason (Wired for one-touch option) | | Static discharge damage | 1. Consult your TELCO engineer for proper grounding procedures 2. Replace Memory |
| 21 | Calls not completed if handset is removed too quickly while automatically dialing on a speakerphone | Automatic dialing is terminated before all digits are dialed | Marginal switchhook sequence between a-b and h-i contacts | 1. Remove handset more slowly from handset 2. Replace telephone set* |
| 22 | Set dials automatically but does not wait for dial tone (Wired for one-touch dialing) | | Noise on line | 1. Add 0.05 μ f capacitor between PSB-21 and PSB-26 2. Remove above capacitor and add resistor (10K-50K) in series with (G-R) dial tone detector input leads |
| 23 | Cannot dial properly from memory when on handset (Wired with dial tone detector option) | MB7 relay does not operate (no click heard) when memory button is depressed | Battery plug not connected | Connect battery plug |
| | | | Precise TOUCH-TONE [®] dial tone may not be present | Make sure precise (350 Hz and 440 Hz) dial tone is present |
| | | | Memory not securely mounted | Tighten Memory mounting screws |
| | | | Improper installation of dial tone detector, D-180493 | Check connections for D-180493 installation |
| | | Same as above — Addition of strap lead between PSB terminals 26 and 29 does not correct problem | Improper connection to or defective Memory | 1. Check connector cable 2. Replace Memory |
| | | Addition of strap lead between PSB terminals 26 and 29 corrects problem | Defective Memory | Replace Memory |
| | Defective dial tone detector | Replace D-180493 dial tone detector | | |
| | Unknown | Replace telephone set* | | |

* Refer to 6.02 (4).

960A01M TOUCH-A-MATIC® 16 TELEPHONE SET

IDENTIFICATION, INSTALLATION, CONNECTIONS, OPERATION, AND MAINTENANCE

| CONTENTS | PAGE | CONTENTS | PAGE |
|--------------------------------------------------------------------------------|------|----------------------------------------------------------------|------|
| 1. GENERAL | 2 | A. Record A Number Into Memory | 14 |
| 2. IDENTIFICATION | 2 | B. Change A Number In Memory | 16 |
| 2.02 Design Features | 2 | C. Delete A Number From Memory | 16 |
| 2.03 Optional Features | 2 | D. Automatically Dial A Number From Memory | 16 |
| 2.05 Operating Features | 4 | E. LAST NUMBER DIALED Feature | 16 |
| 2.06 Ordering Guide | 4 | F. Access Code | 18 |
| 3. INSTALLATION | 5 | G. Speakerphone Option | 19 |
| Installation Check Procedures | 10 | H. Multiline Service | 19 |
| OPTIONAL APPARATUS INSTALLATION | 10 | 6. MAINTENANCE | 19 |
| D-180812 Kit of Parts (Record Disable and Dial Intermix Features) | 10 | A. Return Procedure | 19 |
| COMPONENT LOCATION AND ACCESS INFORMATION | 11 | B. Trouble Analysis | 19 |
| A. Location of Components | 11 | C. Battery | 19 |
| B. Access of Components | 12 | D. Memory | 20 |
| Faceplate Removal | 12 | E. 11E Dial | 20 |
| Upper Housing Removal | 12 | F. P1A Ringer | 21 |
| Lower Housing Removal | 12 | G. Handset Jack | 21 |
| Power Supply Board (PSB) Terminals | 12 | H. D-180837 Kit of Parts | 21 |
| 4. CONNECTIONS | 14 | 7. CONVERSION FROM DESK SET TO WALL SET | 22 |
| 5. OPERATION | 14 | 8. CORD DRESSING FOR OPTIONAL SERVICES (ADJUNCTS) | 23 |

NOTICE

Not for use or disclosure outside the
Bell System except under written agreement

1. GENERAL

1.01 This section contains information on the 960A01M telephone set. This set is shipped from the factory as a desk set (Fig. 1) and can easily be converted to a wall set with no additional parts required.

1.02 This section is reissued to:

- Add information on D-180812 Kit of Parts
- Add information on D-180837 Kit of Parts
- Add information on D-180851 Kit of Parts
- Add 960B Memory
- Add new Fig. 7, 8, and 13
- Revise Fig. 1, 6, 15, 16, 17, 18, and 20
- Revise Tables B, C, and H
- Add new Tables D and E.
- Add 2012C and 2012D transformer
- Show 2012A and 2012B transformer MD
- Add 248B adapter
- Show 248A adapter MD

Since this reissue covers a general revision, arrows ordinarily used to indicate changes have been omitted.

1.03 The 960A01M telephone set is a single line set and is factory-wired for bridged ringing. It can be wired to provide A-lead control for 1A1, 1A2, or 6A key telephone systems (KTS).

1.04 The telephone set is available in Ivory (-50) only. For color selection of available faceplates, see Table A.

2. IDENTIFICATION

2.01 The 960A01M telephone set provides the standard features of a single line set plus manual rotary dialing, automatic dialing of 15 frequently called or important numbers, and a LAST NUMBER DIALED scratch pad memory.

2.02 Design Features:

- Modular telephone set
- Integrated circuit memory
- Memory buttons from which to select preprogrammed telephone numbers for automatic dialing
- Capability to record and automatically dial 15 telephone numbers of up to 15 digits each
- Last number manually dialed Memory
- Battery for Memory retention in event of ac power outage
- Battery OFF-ON switch
- Supplementary directory
- Directory Privacy (hidden directory)
- Convertability from a desk set to a wall set.

2.03 Optional Features (Refer to Table B):

- Selective ringing
- Tip party with identification ground
- 4-party full selective or 8-party semiselective ringing using an 11-type extender, 426N diode, or 28A ringer isolator as a coupling device
- A-lead control for 1A1, 1A2, and 6A key telephone systems
- Speakerphone—either 3B (MD) or 4A speakerphone may be interfaced with the telephone set

Note: For use with a speakerphone, all dialing must be performed with the handset off-hook (paragraph 5.08). Speakerphone and tip party identification options cannot be provided at the same time.

- Multiline service—using adjunct key



Fig. 1—960A01M Telephone Set

Note: Replacing the handset each time a line is changed assures proper dialer operation (paragraph 5.09).

- 107-type loudspeaker set (SPOKESMAN® unit) may be interfaced with the telephone set (See Section 463-221-100)

- D-180812 Kit of Parts provides the following features.

(a) Record Disable Only—turns off the recording feature to prevent accidental erasures of previously stored numbers.

(b) Record Disable and Dial Intermix—same as record disable feature plus.

(1) Allows digits dialed from manual dial and from memory to be intermixed without having to depress the RECORD OFF button.

(2) Disables the LAST NUMBER DIALED feature.

- D-180837 Kit of Parts provides the following features.

Note: The following features are implemented by a key-lock switch located in lower housing.

(a) Record Disable Only—turns off the recording feature to prevent accidental erasures of previously stored numbers.

(b) Record Disable and Dial Intermix—same as record disable feature plus:

(1) Allows digits dialed from manual dial and from memory to be intermixed without having to depress the RECORD OFF button.

(2) Disables the LAST NUMBER DIALED feature.

(c) Record disable and manual dial lock-out.

(d) Kit of parts normally installed at the service center and is not recommended for field installation.

- D-180851 Kit of Parts provides the following features.

(a) Standard modular G-type handsets can be used with desk sets when modified with the D-180851 Kit of Parts. This kit consists of ivory colored transmitter and receiver caps used to replace the standard caps on the G-type handset. Modified G-type handsets can be used to provide the following features when the appropriate K-type handset is not available or is incompatible.

(1) Amplified receiver (G6BM).

(2) Amplified transmitter (G7BM).

(3) Noisy location (G8BM).

(4) Acoustic or inductive coupling to customer-provided equipment (G15A).

2.04 All options are implemented by:

- Wiring changes in the telephone set
- Installation of appropriate additional items.

2.05 Operating Features:

- Dial (Rotary), 11E
- 16-button memory field of low force, low travel nonlocking buttons arranged in two columns; one along the left-hand edge of the memory and the second along the

right-hand edge. Each column has eight memory buttons plus a ninth button (bottom button) for the record function

- LAST NUMBER DIALED button (the next to the bottom button in the right-hand column of nine buttons) when momentarily depressed, with the handset off-hook, initiates automatic redialing of the last number manually dialed
- RECORD button (the bottom button in the left-hand column of nine buttons) is nonlocking and when momentarily depressed, lights the RECORD lamp and enables the memory circuits to store manually dialed telephone numbers
- RECORD OFF button (the bottom button in the right-hand column of nine buttons) is nonlocking and when momentarily depressed, extinguishes the RECORD lamp indicating that the dialer is switched out of the record mode
- Battery OFF-ON switch (located on the bottom of the set, Fig. 2), should be in the OFF position when set is not in service.

2.06 Ordering Guide:

(a) The 960A01M telephone set is a modular type set and may be ordered as follows:

- Set, Telephone, 960A01M-50

This includes:

(1) Adapter, 248A (MD) or 248B (to connect D4BU modular mounting cord to 2012B (MD) or 2012D transformer) Fig. 2.

(2) Plug, 523B4, (used when converting from a desk set to a wall set) Fig. 12.

(3) Cord, Handset, H4DU-50.

(4) All components listed in (c) Replaceable Components except faceplate and D4BU-29 cords.

(b) **Ordered separately:**

TABLE A

FACEPLATE ORDERING GUIDE (See Note)

| CODE | COLOR |
|---------|---------|
| 60A-100 | Avocado |
| 60A-108 | Teak |
| 60A-109 | Walnut |
| 60A-111 | Gold |
| 60A-112 | Orange |
| 60A-113 | Brown |
| 60A-114 | Red |
| 60A-115 | Blue |
| 60A-118 | Black |

Note: A display package containing all 9 color faceplates can be ordered as a D-180667 Kit of Parts. This package is intended for use as an aid to permit selection of color on subscribers premises. Cardboard insert shipped with set is discarded at time of installation.

- Transformer, 2012B (MD) or 2012D (required to provide ac power for operation of the automatic dialer)

Note: A 2012A (MD) or 2012C transformer shall not be substituted for a 2012B or 2012D as proper operation can not be assured.

- Clamp, 2A (used to secure 2012B or 2012D transformer to outlet)
- Faceplate, 60A-* (See Table A)
- Cord, Mounting, D4BU-29
- Cord, Mounting, D4BU-29 (power cord, maximum 14 feet)
- Cord Clips B (for dressing cords as needed).

(c) **Replaceable components which may be ordered separately as follows:**

- Lower Housing Assembly, 60AL-50
- Upper Housing Assembly, 60AU-50
- Faceplate, 60A-* (See Table A)
- Handset, K1C
- Cord, Handset, H4DU-50
- Cord, Mounting, D4BU-29
- Cord, Mounting, D4BU-29 (power cord, maximum 14 feet)
- Jack, Handset, 616J
- Battery, KS-20390L5
- Ringer, P1A
- Dial, 11E
- Memory, 960-type (includes button field)
- 841382245 Cover Assembly
- 841382146 Directory Sheet Set (includes four directory sheets and one sheet of color dots)
- 812558039 (P-25E803) Station Number Card Retainer
- 841381098 Handset Hook
- 841388713 Shield (Fig. 4)
- Subscriber Instruction Booklet (SIB-2480C).

(d) **Optional apparatus:**

- See Table B for apparatus required.

3. **INSTALLATION**

Danger: For safety, securely attach retaining clamp to ac outlet using

*Add appropriate color suffix per Table A.

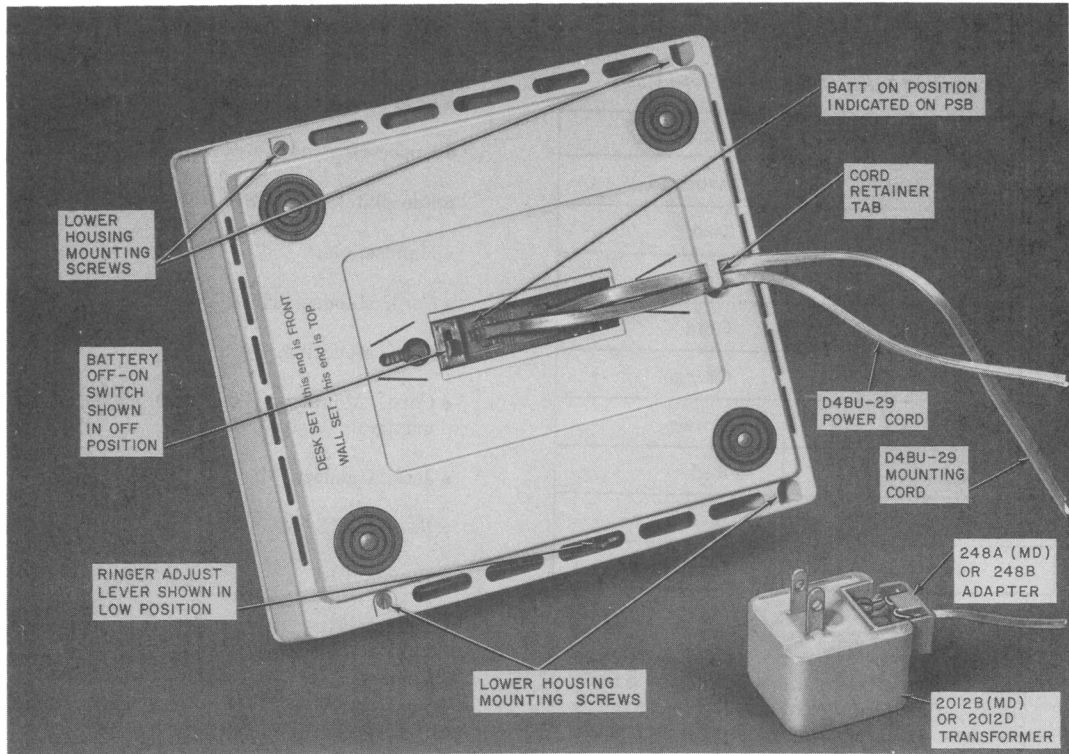


Fig. 2—960A01M Telephone Set, Bottom View

outlet cover screw **BEFORE** attempting to install 2012B (MD) or 2012D transformer. The transformer and any other cord plugged into the ac outlet should always be unplugged completely from outlet **BEFORE** attempting to attach or remove the clamp. This will prevent the possibility of a loosened retainer clamp or metallic outlet making contact with the ac prongs on the transformer when partially withdrawn from outlet. Do not use retaining clamp on outlets where cover mounting screw holds the duplex outlet in the box.

Warning: Care should be taken to trim and dress leads connecting to low voltage output terminals of 2012B

(MD) or 2012D transformer to assure that inadvertent connection to conducting surfaces or other power source does not occur. If more than one transformer is plugged into a multiple receptacle power strip, there must be at least one inch separation between transformers. Only UL listed receptacle power strips with adequate power rating shall be used. Use of a continuous terminal power strip that allows the secondary output terminals of the transformer to be in close proximity to the ac line source is not recommended.

3.01 Terminate the local loop into a jack or connecting block suitable for the D4BU-29 mounting cord. If this is to be a wall set installation,

TABLE B
OPTIONS

| OPTION | | ADDITIONAL ITEMS REQUIRED | | CONNECTION PER | |
|---------------------------------------------------------------|---------|--------------------------------------------------------------|------|----------------|-------|
| | | | | FIG. | TABLE |
| Selective Ringing† | | | | | C |
| Tip Party Identification | | | | | C |
| A-Lead Control | | | | | C |
| Conversion to Wall Mounted Telephone Set | | 523B4 Plug‡ | | 12 & 16B | |
| | | 630A4 Connecting Block | | | |
| Speakerphone | 3B (MD) | 760A (MD) Loudspeaker | | 17 | F |
| | | 666B (MD) Transmitter | | 17 | F |
| | | Control Unit (MD) | 55A* | 17 | F |
| | | | 55B | 17 | F |
| | | 2012B (MD) or 2012D Transformer | | 17 | F |
| | | D6AD-87 Cord | | 17 | F |
| | 4A | 108AA Loudspeaker | | 18 | G |
| | | 680AE Transmitter | | 18 | G |
| | | 223D Adapter | | 18 | G |
| | | 85B1 Power Unit | | 18 | G |
| Multiline Service | | 6040/6050-Type Key and Interface Cord (min. of 6 conductors) | | 19 | |
| Record Disable Only | | D-180812 Kit of Parts (See Note) | | 7, 8, & 13 | D |
| Record Disable and Dial Intermix | | | | | |
| Amplifier-Type Handset | | G6BM, G7BM, or G8BM Handset and D-180851 Kit of Parts | | | |
| Acoustic or Inductive Coupling to Customer-Provided Equipment | | G15A Handset and D-180851 Kit of Parts | | | |
| Record Disable Only | | D-180837 Kit of Parts (See Note) | | | E |
| Record Disable and Dial Intermix | | | | | |
| Record Disable and Manual Dial Lock-Out | | | | | |

*Modified by Western Electric Co. to conform to 55B control unit circuitry.

†For selective ringing with superimposed ringing current, refer to Note 1 of Table C.

‡Provided with initial production sets.

Note: Telephone set must be equipped with a 960B Memory when these kits are used.

terminate loop into a 630A4 connecting block and refer to Part 7 of this section for conversion of set. For standard desk set installation, terminate loop into 625-type connecting block.

Note: For information on modular connecting blocks or adapters, refer to Section 503-100-100.

3.02 Lay shield aside and make all wiring changes and telephone set modifications (Table B) before external connections are made to the set (paragraph 4.01). Remove upper housing (paragraph 3.16), if necessary, for set modification.

Caution: *Protection of the integrated circuits from static discharge depends on the black (BK) lead from the shield being connected to earth ground. Factory-wired sets depend on the yellow (Y) lead of the 625- or 630-type connecting block being connected to earth ground. In wiring options, care should be taken that the black (BK) lead from the shield remains connected to earth ground.*

3.03 Replace upper housing and install faceplate of subscriber's choice, (see note, Table A).

3.04 Attach 248A or 248B adapter to 2012B or 2012D transformer (Fig. 2) and plug into 110-117 volt ac outlet not controlled by a switch (continuous ac power is required). Plug one end of the D4BU-29 power cord (maximum 14 feet) into the power jack on the bottom of the set (Fig. 15C) and the other end into the 248A or 248B adapter.

Note: The 2012B or 2012D transformer must be located no closer than 1-1/2 feet from the telephone set in order to avoid a potential noise condition.

3.05 The transformer may also be placed at a remote location with D-station or inside wire as all or part of the connection. (See Fig. 15C for the wiring options and the maximum conductor lengths). **The transformer should not be used for furnishing power to anything other than this set, i.e., dial/night light power to another set, etc.**

Caution: *The ac power to the 960A01M telephone set shall not be provided*

over the BK and Y conductors of the modules mounting cord used for connecting to the line since these leads may be grounded for some applications and neither ac power lead may be connected to earth ground.

3.06 The set is shipped from the factory with the battery switch in the OFF position. After all wiring changes and modifications have been completed, tilt the set up and move the battery switch arm (now visible in the bottom view of the set, Fig. 2) to the ON position.

Note: The switch ON position is indicated on the bottom of the printed wiring board (Fig. 2), and if switch is not placed in ON position, the set will not record or automatically dial.

3.07 For desk installation, plug mounting cord into phone jack on bottom of set and into 625-type connecting block. (For wall installation, refer to Part 7.)

Note: Dress all cords under retainer tab at bottom rear of housing, Fig. 2.

Caution: *Stapling of the D4BU-29 cords can break the conductors. Use a B-cord clip for dressing.*

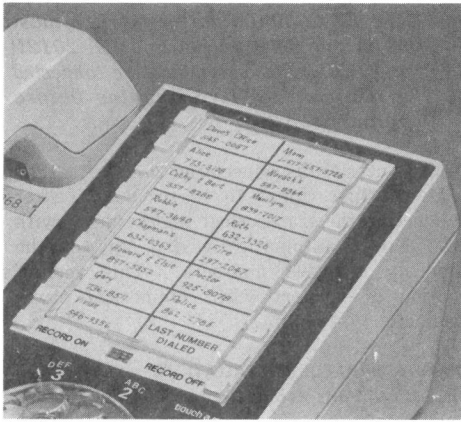
3.08 The side of a directory card labeled LAST NUMBER DIALED is installed by sliding the card between the underneath side of the cover (window) and the card retainer strip as shown in Fig. 3A.

3.09 A second card with the supplementary directory card side up is placed under the retainer tabs and positioned on the top surface of the memory frame as shown in Fig. 3B.

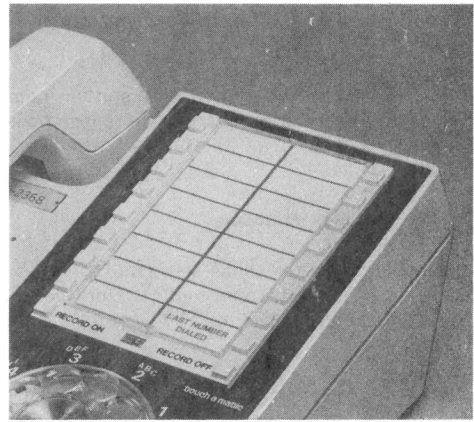
3.10 When the subscriber does not want the directory prominently displayed, the directory privacy option is used as follows.

(a) A blank directory card, with the side labeled LAST NUMBER DIALED up, is installed per paragraph 3.08 (Fig. 3C).

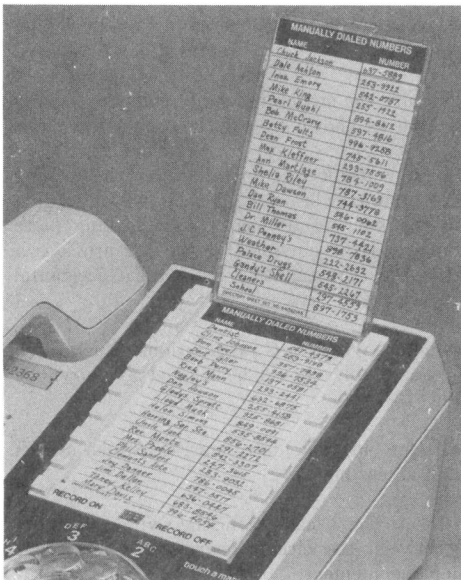
(b) The actual directory card, with the side labeled LAST NUMBER DIALED up, is placed under the retainer tabs and positioned



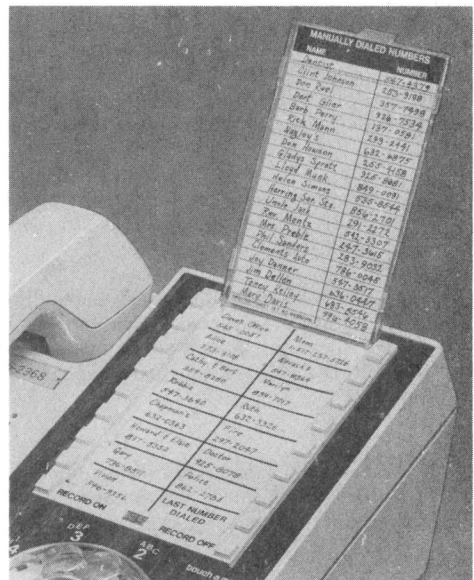
A. DIRECTORY DISPLAYED (WINDOW CLOSED)



C. DIRECTORY PRIVACY (WINDOW CLOSED)



B. DIRECTORY DISPLAYED (WINDOW OPEN)



D. DIRECTORY PRIVACY (WINDOW OPEN)

Fig. 3—Optional Methods of Installing Directory Cards

on the top surface of the memory frame (Fig. 3D).

- 3.11 The 812558039 (P-25E803) station number card retainer snaps into the upper housing just below the well for the handset receiver.

Installation Check Procedure

- 3.12 Check the telephone set installation per the following tests (refer to Part 5 for Operation). In case of failure, refer to Trouble Analysis, Table H.

- (1) Disconnect the 2012B or 2012D transformer from ac power and manually dial the appropriate code for ring-back to test the ringer and to check that the basic telephone operates properly in the absence of commercial power.
- (2) Reconnect the 2012B or 2012D transformer to ac outlet.
- (3) With the handset on-hook, record a known telephone number into all memory locations except LAST NUMBER DIALED and the button immediately above [paragraph 5.01 (4) through (7)].
- (4) Automatically dial the numbers recorded in Step (3) and verify that they are correct (paragraph 5.04).
- (5) Go off-hook and simultaneously manually dial and record a known telephone number into memory location immediately above LAST NUMBER DIALED button [paragraph 5.01 (4) through (7)].
- (6) Momentarily hang up and then automatically dial from the memory used in Step (5). This verifies that the number was recorded properly.
- (7) Go off-hook and manually dial a known telephone number.
- (8) Momentarily hang up handset and depress the LAST NUMBER DIALED button. The number automatically dialed should be the same as the number in Step (7).



The KS-20390L5 battery switch must be in the ON position and the 2012B or 2012D transformer must be connected a minimum of five minutes before doing Step (9).

- (9) Momentarily disconnect the 2012B or 2012D transformer (for 5 to 10 seconds). After reconnecting the transformer and securing with a 2A clamp, automatically dial any of the previously recorded numbers. This verifies retention of memory with commercial power disconnect.

OPTIONAL APPARATUS INSTALLATION

D-180812 Kit of Parts Record Disable and Dial Intermix Features)

- 3.13 Install the D-180812 Kit of Parts (Fig. 7) as follows.

- (1) Remove lower housing (paragraph 3.17).
- (2) Position the switch assembly as shown by Fig. 13.
- (3) Secure the switch assembly with the locking plate as shown by Fig. 8A and 8B.
 - (a) For **desk set** installations, the locking plate may be oriented either way according to customer preference. With locking plate flange on the outside (Fig. 8B), it provides a more secure installation in regards to accidental operation of switch.
 - (b) For **wall set** installations, the switch assembly should be located as shown by Fig. 13.
 - Locate locking plate per Fig. 8A so switch is accessible.
- (4) Insert the 3 leads from the switch assembly between the circuit board and the chassis under the memory.
- (5) Replace the lower housing and place the set upright.
- (6) Remove faceplate (paragraph 3.15).
- (7) Disengage the four captive memory mounting screws (Fig. 4)

- (8) Rotate the right edge of the memory upward (Fig. 6) and connect the three leads to the terminal posts on the 960B memory per Table D.

Note: If set is equipped with a 960A Memory, replace it with a 960B Memory and carefully pack and return the old memory according to local procedures.

- (9) With feature switch in OFF position, verify that set operates in normal manner:

- Numbers can be recorded into memory
- Numbers can be changed
- Numbers can be deleted from memory
- Manual dialed numbers are automatically entered into LAST NUMBER DIALED position.

- (10) Set switch to ON position and verify feature provided.

- Record disable feature, only.
 - (a) RECORD lamp will not light when RECORD button is depressed.
 - (b) No telephone numbers can be recorded, changed, or deleted from memory.
 - (c) LAST NUMBER DIALED feature is operative.
- Record disable and dial intermix features.
 - (a) RECORD lamp will not light when RECORD button is depressed.
 - (b) No telephone numbers can be recorded, changed, or deleted from memory.
 - (c) LAST NUMBER DIALED feature is disabled.
 - (d) Manually and automatically dialed digits may be intermixed.

- (11) Reassemble set.



For completed memory security, the switch assembly may be installed through the housing from below, with the switch inside the housing. This type installation would make it necessary to remove the housing to make any changes in memory, or features provided, and is not recommended.

COMPONENT LOCATION AND ACCESS INFORMATION

A. Location of Components

3.14 The components are located as follows.

- **Faceplate**—held in place by three tabs which align with mating slots in the upper housing cutout and is positioned over the dial and memory with appropriate holes that align with the dial and memory assembly (Fig. 1).
- **Shield**—underneath faceplate and is positioned over the dial and Memory (Fig. 4).
- **Battery**—snaps into a cavity from the top side in the left front corner of the chassis (Fig. 5).
- **Battery Switch**—soldered to power supply printed wiring board with switch arm accessible at bottom of set through opening near center of lower housing (Fig. 2).
- **Ringer**—fastened by two screws to bosses on the bottom of the chassis (Fig. 9A) and rests in a cavity just to the rear of the battery cavity (Fig. 5).
- **Handset Jack**—slides into a cavity on the top left side wall of the chassis adjacent to the ringer and battery (Fig. 5).
- **Switchhook Assembly**—soldered to power supply printed wiring board and located at left-rear corner of power supply board (PSB) (Fig. 5).
- **Rotary Dial**—fastened by two screws and located on the top side at right-front corner of the chassis (Fig. 4).

- **Memory**—fastened by four screws and located just to the rear of the dial on the top right side of the chassis (Fig. 4).
- **Network**—electronic components soldered to power supply printed wiring board replace the conventional network.
- **Power Supply Printed Wiring Board Assembly**—fastened by six screws to bosses on the bottom of the chassis (Fig. 9).
- **Power Supply Printed Wiring Board Screw Terminal Areas**—(Fig. 5 and 6).
- **Mounting Cord and Power Cord Jacks**—slide into adjacent cavities on the bottom side of the center wall of the chassis. Jacks are held in place when power supply board is fastened to bottom of chassis and are accessible through holes in the lower housing and power supply board (Fig. 2 and 9).
- **Lower Housing**—fastened by four screws to the bottom of the chassis (Fig. 2).
- **Upper Housing**—fastened by four screws to the top side of the chassis (Fig. 4).
- **Chassis**—main structural member to which other component assemblies are fastened, including the upper and lower housings (Fig. 5 and 9).

B. Access of Components

Faceplate Removal

3.15 The faceplate has one tab at the top center and two tabs near the bottom corners. To remove, gently bow the upper housing wall away from the top tab and pull up to free the faceplate tab. This can be done by using the thumbnail of one hand on the housing and a fingernail of the other hand on the faceplate. Then slide the faceplate slightly upward to free the two bottom tabs and remove the faceplate. To reinsert the faceplate, slide the two bottom tabs into mating slots in the upper housing, lower the faceplate on to the top edge of the housing cutout and gently bow the upper housing wall away from the top tab of the faceplate. Push down top of faceplate and release housing.

Upper Housing Removal

3.16 To remove the upper housing, proceed as follows.

- (1) Unplug the modular handset cord at the telephone set end and remove handset.
- (2) Remove the faceplate (paragraph 3.15) and place the shield aside (Fig. 4).

Caution: Use extreme care when handling shield. Do not bend shield or break solder connection on attached lead.

- (3) Remove the station number card retainer and station number card.
- (4) Disengage the four captive upper housing screws (Fig. 4).
- (5) Remove the upper housing by slipping the shield through the faceplate cutout.
- (6) To replace the upper housing, reverse the procedure.

Lower Housing Removal

3.17 To remove the lower housing proceed as follows.

- (1) Remove the modular mounting and power cords from under the retainer tab and unplug cords from jacks in the bottom of the telephone set (Fig. 2).
- (2) Disengage the four captive screws located at the corners of the lower housing on the bottom of the telephone set (Fig. 2).
- (3) Remove the lower housing.
- (4) To replace the lower housing, reverse the procedure.

Power Supply Board (PSB) Terminals

3.18 To access the screw terminals 1 through 13 (under the dial) on the power supply board, proceed as follows.

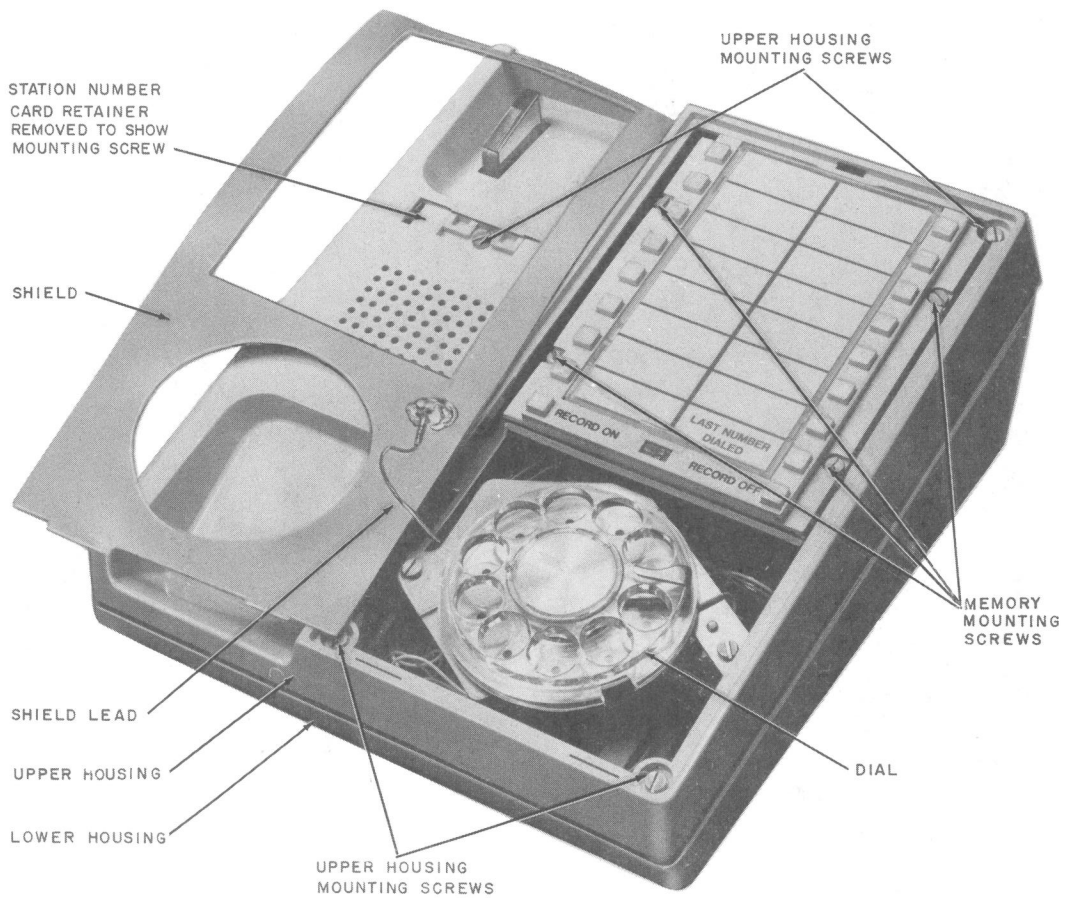


Fig. 4—960A01M Telephone Set With Handset and Faceplate Removed, and Shield Laid Aside

- (1) Remove the faceplate (paragraph 3.15) and place the shield aside.
 - (2) Disengage the two captive screws that hold the dial in place.
 - (3) Remove the dial and place on the Memory as in Fig. 10.
 - (4) To reassemble, reverse the procedure.
- 3.19** To access screw terminals 14 through 21 (under the battery) on the power supply board, proceed as follows.
- (1) Remove the upper housing (paragraph 3.16).
 - (2) Gently push back on the battery retainer catch and swing the rear edge of the battery upward to release the battery.
 - (3) Carefully lift the battery from its cavity and lay aside.

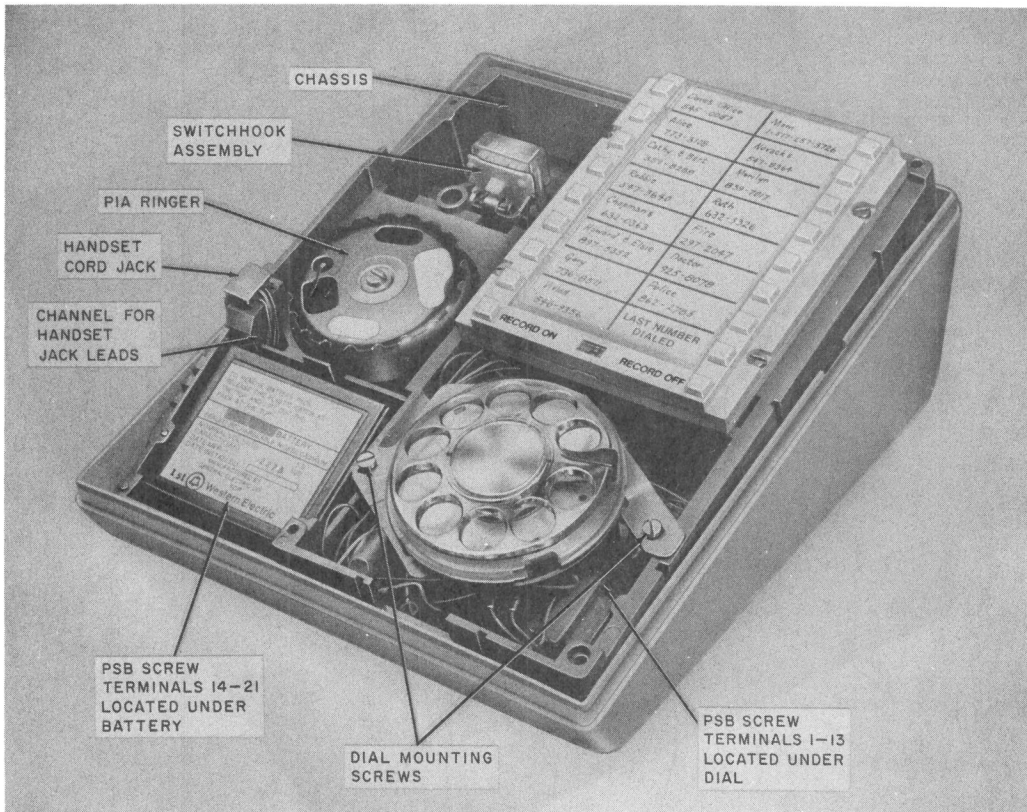


Fig. 5—960A01M Telephone Set With Handset, Faceplate, Shield, and Upper Housing Removed

- (4) To reassemble, reverse the procedure.

Note: To reinsert battery position lower edge first and then push top of battery under retainer catch.

4. CONNECTIONS

- 4.01 Telephone set connections are shown in Fig. 15.
- 4.02 Refer to Table B for connection information for all options.
- 4.03 A partial functional schematic is shown on Fig. 20.

5. OPERATION

Note: If the telephone set is used behind a PBX, etc., where an access code is required, refer to paragraph 5.06.

A. Record A Number Into Memory

5.01 To record.

- (1) Remove the directory sheet (Fig. 1).
- (2) Write or type (using light pressure) the desired name and telephone number for a selected memory button on the associated position of the directory sheet.

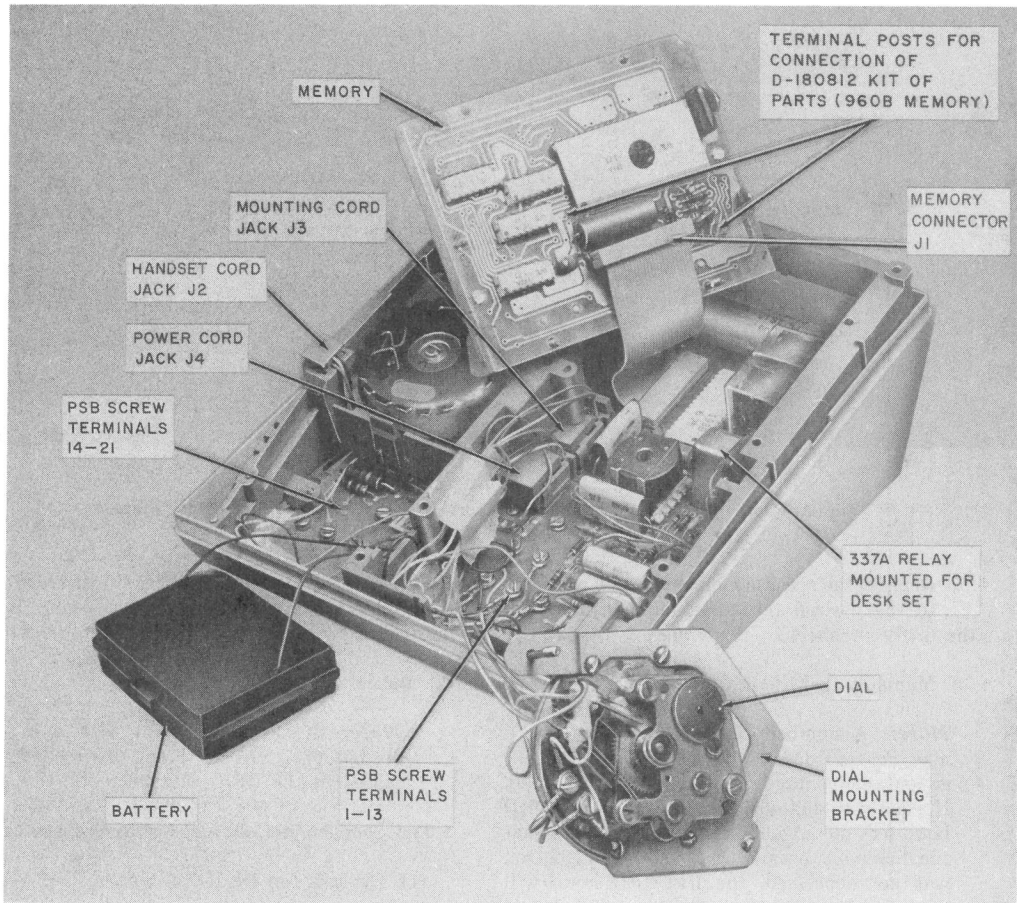


Fig. 6—960A01M Chassis and Lower Housing With Dial, Memory, and Battery Laid Aside, and Shield Removed

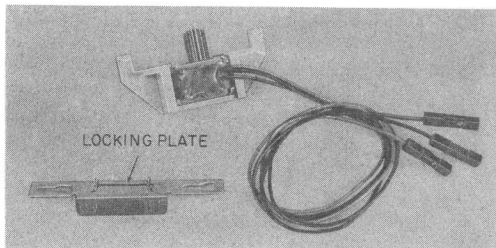


Fig. 7—D-180812 Kit of Parts

- (3) Replace the directory sheet.
- (4) Depress the RECORD button. The RECORD lamp adjacent to the RECORD button will light. (A number can be called and recorded simultaneously by lifting handset before depressing the RECORD button.)

Note: If set is equipped with the D-180812 of D-180837 Kit of Parts, switch must be placed in the OFF position.

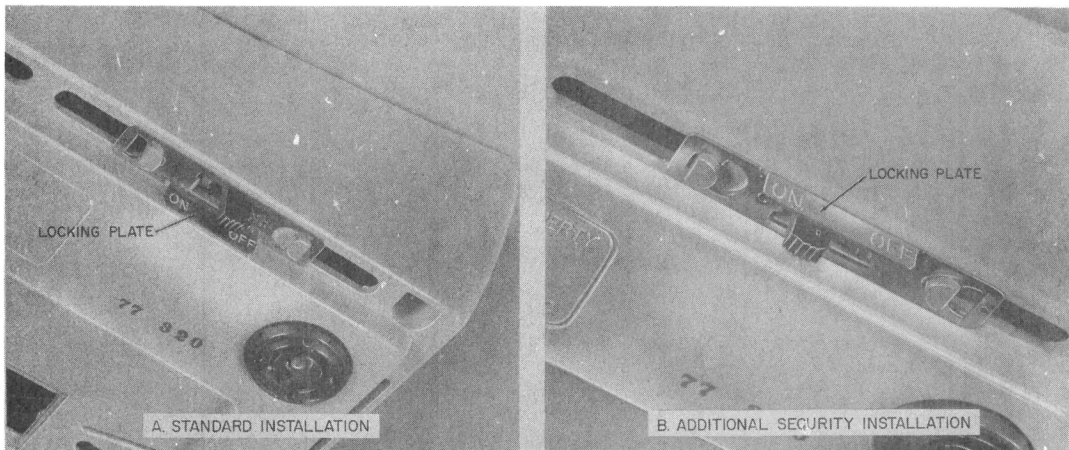


Fig. 8—Optional Methods of Installing Locking Plate of D-180812 Kit of Parts

(5) Depress the specific memory button adjacent to the desired telephone number listed on the directory sheet.

(6) Manually dial the desired telephone number.

Note: A number up to 15 digits in length may be recorded. The RECORD lamp will go out momentarily as each digit is dialed. If exactly 15 digits are recorded, the RECORD lamp will go out and stay out, indicating that the dialer has been reset. If a memory button was not depressed, the RECORD lamp will go out when the first digit is dialed and recording operation will be voided.

(7) Depress the RECORD OFF button if less than 15 digits are recorded. The RECORD lamp will go out. The dialer will be reset. The number is now stored in the selected memory. The dialer can also be reset by a switchhook operation.

B. Change A Number In Memory

Note: If set is equipped with a D-180812 or D-180837 Kit of Parts, switch must be in OFF position.

5.02 Whenever a new number is recorded, in a previously used memory position, it will automatically replace the previously stored number.

C. Delete A Number From Memory

Note: If set is equipped with a D-180812 or D-180837 Kit of Parts, switch must be placed in the OFF position.

5.03 Complete the following operations in succession.

- (1) Depress the RECORD button.
- (2) Depress the memory button corresponding to the name and number to be deleted.
- (3) Depress the RECORD OFF button.

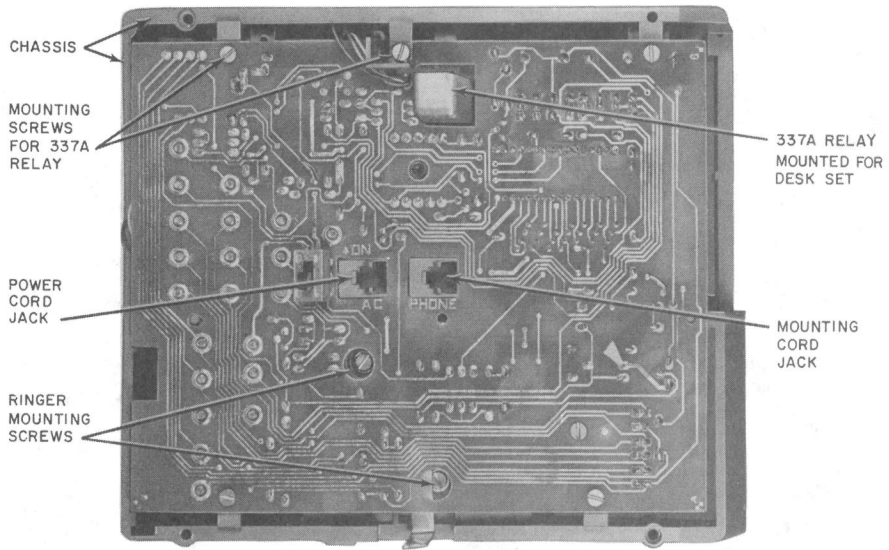
D. Automatically Dial A Number From Memory

5.04 To automatically dial a number.

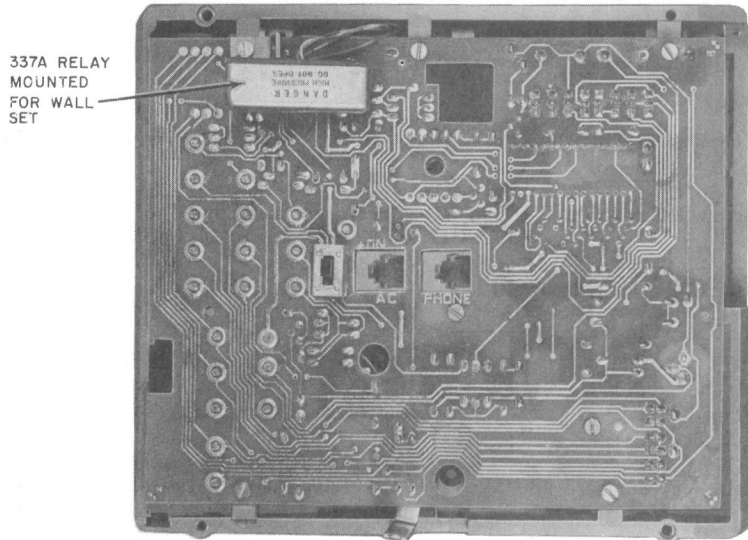
- (1) Go off-hook and listen for dial tone.
- (2) Depress the desired memory button.

E. LAST NUMBER DIALED Feature

Note: If set is equipped with a D-180812 or D-180837 Kit of Parts, and dial intermix



A. SHOWING 337A RELAY MOUNTED FOR DESK SET SERVICE



B. SHOWING 337A RELAY MOUNTED FOR WALL SET SERVICE

Fig. 9—Bottom View of Power Supply Board (Lower Housing Removed)

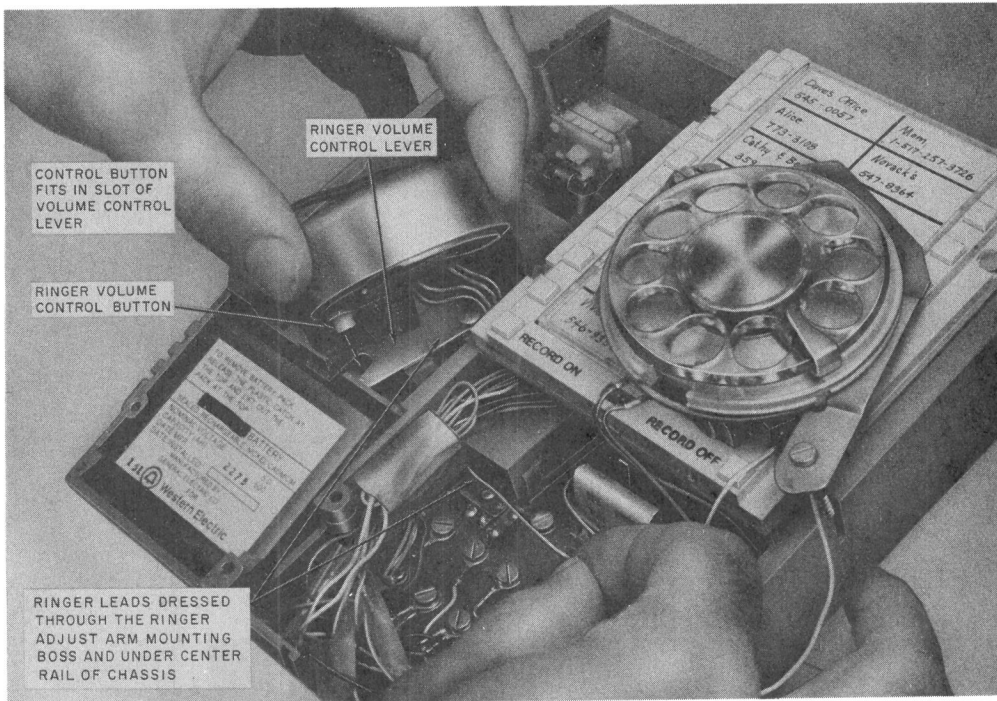


Fig. 10—Ringer Being Installed in 960A01M Chassis With Dial Rotated Onto Memory and Shield Removed

feature is provided, switch must be placed in the OFF position.

5.05 Operation of LAST NUMBER DIALED feature.

- (1) Go off-hook.
- (2) Listen for dial tone.
- (3) Manually dial telephone number.
- (4) Hang up to reset dialer for automatic dialing.
- (5) To redial same number automatically, go off-hook, listen for dial tone, and depress LAST NUMBER DIALED button.

Note: Note that the RECORD lamp never comes on during LAST NUMBER DIALED operations.

F. Access Code

5.06 If there is no break in dial tone after the access code, simply record the number prefixed by the access code.

5.07 When a pause for second dial tone is required following an access code, one of the following procedures are necessary to record and automatically dial from memory.

- (a) Use one memory button for access code as follows.
 - (1) Record the required access code in one memory location.

- (2) Record the remaining number in a second memory location.
- (3) To automatically dial a number.
 - (a) Go off-hook, listen for dial tone, and depress the memory button for the access code.
 - (b) Listen for a second dial tone and depress the appropriate memory button or the LAST NUMBER DIALED button for the telephone number.
- (b) To save a memory location by not recording the access code, an alternate procedure may be used.

Note: LAST NUMBER DIALED, feature can not be used with this procedure.

- (1) Just record the desired telephone number into memory—do not record the access code.
- (2) Go off-hook, listen for dial tone, manually dial the required access code, and depress the RECORD OFF button (not necessary to depress RECORD OFF button with record disable and dial intermix feature). (This will remove set from LAST NUMBER DIALED mode and allow additional automatic dialing.)
- (3) Listen for a second dial tone and depress the memory button for the desired telephone number.

G. Speakerphone Option

5.08 Use speakerphone in normal manner except that all dialing must be done with handset off-hook. After dialing, depress the speakerphone ON button and hold it depressed until the handset is placed on-hook.

H. Multiline Service (using 6040/6050-type key)

5.09 Replacing the handset each time a line key is changed assures proper dialer operation. If a number is dialed manually from one line and another line key is depressed to make another outgoing call without hanging up, the RECORD OFF button should be depressed before dialing. This will remove the set from the "last number

dialed mode" to allow either automatic dialing or proper recording of a manually dialed number into LAST NUMBER DIALED position.

6. MAINTENANCE

Caution: Operation of battery OFF-ON switch to OFF position will result in loss of memory if ac power is not present.

6.01 In case of power failure, the automatic dialing feature cannot be used. The battery retains the number associated with each of the memory buttons for at least 16 hours. If power loss exceeds 16 hours, the numbers may have to be rerecorded.

A. Return Procedure

6.02 Any replaced set (or components) should be returned in the carton of the replacement with a label placed on the outside of the carton stating that contents are defective. When a set is not being replaced by a new one, use a D-180600 Kit of Parts for returning set to repair center.



Always place battery switch in OFF position when a set is removed from service.

B. Trouble Analysis

6.03 When trouble is encountered, the subsequent procedure should be followed.

- (1) Confirm trouble report either as an automatic dialer (Part 5), or as a basic telephone set.
- (2) Check for improper connections.
- (3) Refer to Table H and paragraphs 6.04 through 6.08.

C. Battery

6.04 The KS-20390L5 battery has an expected life of about 4 years. It can be replaced without loss of memory provided that commercial ac power to the set is continuously maintained. To replace the battery, proceed as follows (Fig. 5).

- (1) Remove the upper housing (paragraph 3.16).

- (2) Release the battery [paragraph 3.19 (2) and (3)].
- (3) Disconnect the battery leads.

Caution: Do not short battery terminals.

- (4) Remove battery.
- (5) Install new battery.
- (6) Reassemble the set.



Before doing Step (7), insure that.

(a) The battery switch is in the ON position.

(b) The new battery has been connected for a minimum of five minutes.

(c) There is a known telephone number recorded in a memory location.

(7) Momentarily disconnect the 2012B (MD) or 2012D transformer (for 5 to 10 seconds). After reconnecting the transformer and securing with a 2A clamp, automatically dial the previously recorded known telephone number. This will verify retention of memory by the new battery.

D. Memory

6.05 The Memory may be replaced in the following manner.

Note: Removal of the Memory results in loss of stored telephone numbers.

- (1) Disconnect 2012B or 2012D transformer.
- (2) Turn battery switch to OFF.
- (3) Remove the faceplate (paragraph 3.15) and place the shield aside.
- (4) Disengage the four captive memory screws (Fig. 4).
- (5) Rotate the right edge of the Memory upward.

(6) Disengage the connector at the Memory (Fig. 6) by pulling it perpendicular to the circuit board.

(7) Replace the Memory by engaging the connector. The connector is keyed, one position is filled and should fit over the vacant position in the row of pins. The cable should not be twisted.

(8) Tighten the four captive screws.

(9) Replace the shield and faceplate.

(10) Test per paragraph 3.12.

(11) Place the old Memory in shipping container of the new Memory (carton 900314535), affix a defective label and return to the repair location.

E. 11E Dial

6.06 To replace.

- (1) Disconnect 2012B or 2012D transformer.
- (2) Turn battery switch to OFF.
- (3) Remove the faceplate (paragraph 3.15) and place the shield aside.
- (4) Remove the upper housing (paragraph 3.16).
- (5) Gently push back on the battery retainer catch and swing the rear edge of the battery upward to release the battery.
- (6) Carefully lift the battery from its cavity and place onto the ringer.
- (7) Disconnect the (W) dial lead from screw terminal 20 on the power supply board.
- (8) Disengage the two captive screws that hold the dial in place.
- (9) Lift the dial out of the way and disconnect the appropriate leads (Fig. 15B).
- (10) Remove dial mounting bracket from the dial (Fig. 6).
- (11) To install a new dial, reverse procedure.

(12) Test per paragraph 3.12 (7) and (8).

F. P1A Ringer

6.07 To replace the P1A ringer, proceed as follows.

Note: A split blade expandable or a magnetic screwdriver will be required to install the new ringer, Step (13) and (16).

- (1) Disconnect 2012B at 2012D transformer.
- (2) Turn battery switch to OFF.
- (3) Remove the lower housing (paragraph 3.17).
- (4) Disengage and remove the two ringer mounting screws which can be accessed through the clearance holes in the power supply board (Fig. 9).
- (5) Temporarily replace the lower housing and place the set on its feet.
- (6) Remove the upper housing (paragraph 3.16).
- (7) Release the dial [paragraph 3.18 (2) and (3)] and place aside (Fig. 10).
- (8) Disconnect the ringer leads (Fig. 15B and Table C) and remove ringer.
- (9) Dress the leads of the new ringer through the ringer adjust arm mounting boss and under the center rail of the chassis. Connect leads to the appropriate terminals.
- (10) As the ringer is lowered into its mounting position, pull any slack in the leads through to the dial side of the center rail (Fig. 10).
- (11) Replace the dial.
- (12) Remove the lower housing. Holding the ringer in position, turn the chassis over to expose the clearance holes in the power supply board.
- (13) Attach one ringer mounting screw onto the blade of a screwdriver (see preceding note).

(14) Insert the ringer mounting screw into one location and secure ringer.

(15) Align the ringer adjust arm over the ringer volume control button (Fig. 10).

(16) Replace the remaining ringer mounting screw with the *special* screwdriver and tighten ringer into place.

(17) Replace the housing, shield, faceplate, and handset.

(18) Dial the appropriate code for ring-back to test the ringer.

G. Handset Jack

6.08 To replace the 616J handset jack (Fig. 5 and 6).

- (1) Disconnect 2012B or 2012D transformer.
- (2) Turn battery switch to OFF.
- (3) Remove the upper housing (paragraph 3.16).
- (4) Release the battery and place aside [paragraph 3.19 (2) and (3)].
- (5) Release the dial [paragraph 3.18 (2) and (3)] and place aside (Fig. 10).
- (6) Disconnect the appropriate leads (Fig. 15B) and remove jack.
- (7) Replace the jack and dress jack leads in channel behind jack (Fig. 5).
- (8) Reassemble set.
- (9) Verify proper handset operation.

H. Defective Telephone Set Which Has a D-180837 Kit of Parts Installed

6.09 To replace a defective set which has a D-180837 Kit of Parts installed, it is necessary to move the lower housing of the defective set to the new set as follows.

- (1) Disconnect transformer.
- (2) Turn battery switch to off.

- (3) Remove faceplate (paragraph 3.15) and place shield aside (Fig. 4).



Before doing Steps 4 and 5, note switch wire color and designation (see Table E).

- (5) Disconnect switch leads from terminals 1, 12, and 13 on power supply board.
- (6) Remove lower housing and install on new telephone set (see Table E).
- (6) Insert the power cord up through the cord opening below the plastic retainer tab in the bottom of the lower housing (Fig. 12).
- (7) Connect the power cord to the telephone set per the appropriate option of Fig. 15C.
- (8) Place the lower housing on the chassis according to the instructions on the bottom (Fig. 12), and engage the four captive screws.
- (9) Remove the station number card retainer and station number card from the upper housing.
- (10) Disengage the captive screw from the chassis and lift out the concealed handset hook and screw from the cavity in the upper housing.

7. CONVERSION FROM DESK SET TO WALL SET

7.01 To convert from a desk set to a wall set, proceed as follows.

- (1) Remove the lower housing (paragraph 3.17).
- (2) Remove the screw which holds the 337A relay bracket to the printed wiring board, and also the screw in the printed wiring board located near the upper left hand corner as shown in Fig. 9A.
- (3) Relocate the 337A relay on the printed wiring board (Fig. 9B) and replace the two screws removed in (2).
- (4) Remove the 523B4 plug from its stored position and snap both sides of the plug into rectangular slot in the bottom of the lower housing. Snap plug in from the outside such that the word **TOP** is properly oriented in the housing (Fig. 12). The plug should slide freely in the slot.
- (5) Insert the other end of the 523B4 plug into the jack position designated **PHONE** on the power supply board.

- (11) Completely remove the captive screw from one side of the handset hook and insert it into the other side.

- (12) Place the handset hook back into its cavity in the upper housing, engage the screw with the chassis, and fasten the hook down (Fig. 11).

- (13) Replace the station number card and card retainer.

- (14) The converted wall set is intended to plug into and secure to a 630A4 connecting block (Fig. 12 and 16B).

7.02 When connecting set to wall, proceed as follows to prevent damage to 523B4 plug or to receptacle in 630A4 connecting block.

- (1) Begin with slight engagement of plug in receptacle.
- (2) Raise set (with plug slightly engaged) and push toward wall to engage studs in corresponding holes in base of set. (The plug will slide up and down in the base of the set.)
- (3) Pull set downward until firmly seated. (A snap should be felt.)
- (4) Gently tug on the top and then on the bottom of the set. If one of the studs is not engaged, that end of the set will move away

from the wall. In that case, push up to remove the set and repeat the procedure.

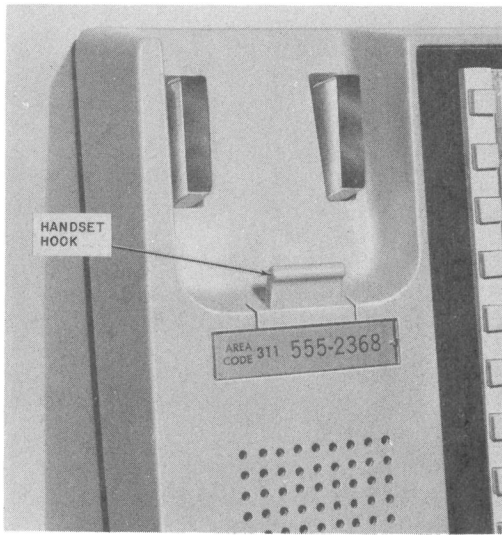


Fig. 11—960A01M Telephone Set With Handset Hook Reversed for Wall Mounting

8. CORD DRESSING FOR OPTIONAL SERVICES (ADJUNCTS)

8.01 Knockouts are provided in the bottom rear of the lower housing (Fig. 13), to accommodate the additional cords associated with the connections of wiring options such as speakerphone, SPOKESMAN service, etc.

- (a) For small cords it is necessary to remove only the vertical portion of the knockouts on the rear of the housing.
- (b) For larger cords and connectors, the remainder of the knockout on the bottom of the housing should be removed.

8.02 Strain relief for optional cordage may be obtained by using any of the six screws used to fasten the power supply board to the bottom of the chassis (Fig. 14). Proper precautions must be taken so that the stay band and hooks do not short any circuit paths. Insulating tape should be placed around the cord and stay band and also applied to the power supply board under the cord (Fig. 14).

8.03 A rectangular cutout at the right front edge of the power supply board provides access for dressing individual spade-tipped leads to the appropriate screw terminals on the power supply circuit board (Fig. 14).

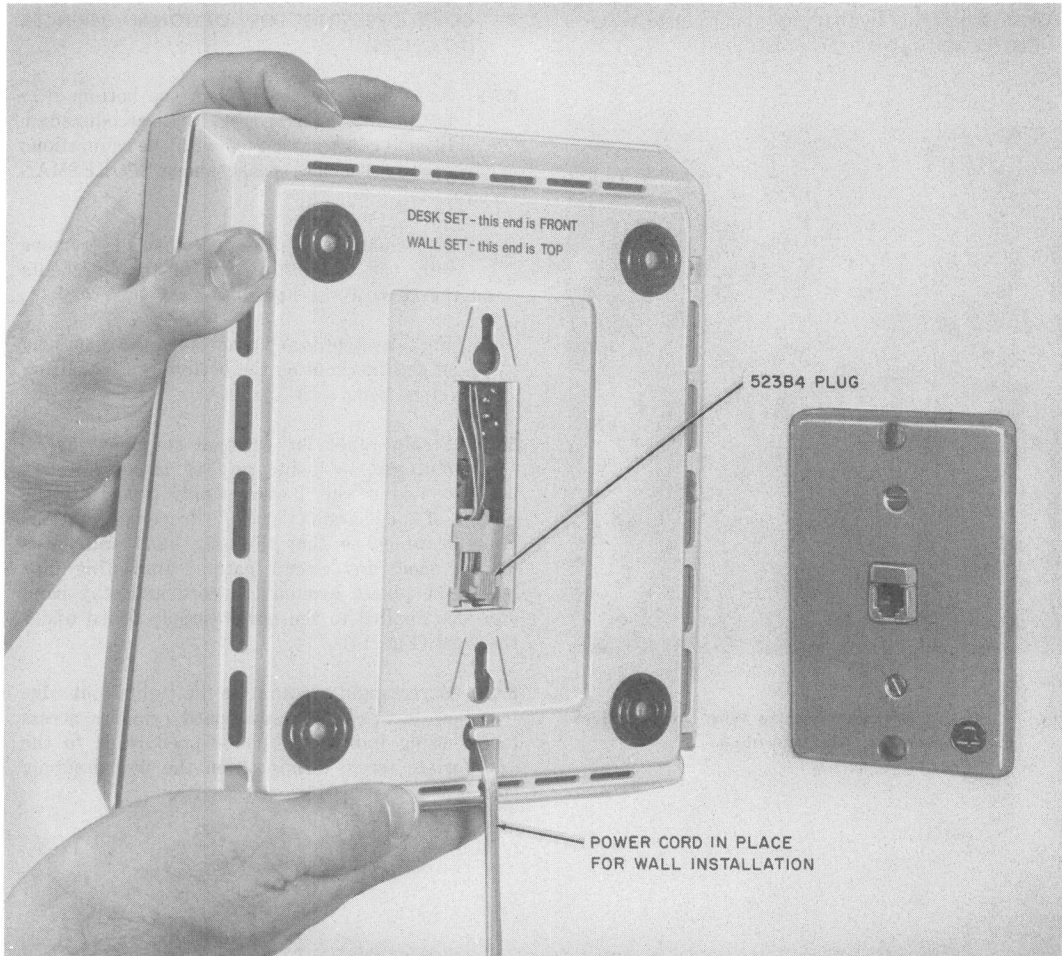


Fig. 12—960A01M Wall Set and 630A4 Connecting Block

TABLE C

**CONNECTION – 960A01M TELEPHONE SET FOR
RINGER OR A LEAD CONTROL OPTIONS**

| OPTION | | LEAD | | REMOVE FROM PSB TERM. | CONNECT TO PSB TERM. | REMARKS | |
|-----------------------------------------------|------------------------------------|--------------------------------|----------|-----------------------------|----------------------------|-------------------------------------|----------------------------|
| | | DESIG. | COLOR | | | | |
| Selective Ringing (Note 1) | Ring Party | Ringer | BK | 7 | 1 | Ringing current from ring to Grd | |
| | Tip Party | Ringer | BK | 7 | 1 | Ringing current from Tip to Grd | |
| | | Spade Tip Lead on PSB | BL | 6 | 7 | | |
| Tip Party with Identification Ground | Ringer Leads | BK | | 7 | 1 | Ringing current from Tip to Grd | |
| | | S† | | * | 19 | | |
| | | S-R | | * | * | | |
| | Strap | | (Note 3) | | | | |
| | Spade Tip Leads on PSB | BL | | 6 | 10 | | |
| G | | | * | 19 | | | |
| A-Lead Control (Note 2) | Mtg Cord Jack | Y | | 1 | 5 | A1 | Leads must be dedicated |
| | | BK | | * | 9 | A | |
| | Shield | BK | | 1 | 5 | | |

Note 1: For 4-party full selective or 8-party semiselective, one of the following must be provided:

- (a) 426N diode. For connections, refer to Section 501-320-100
- (b) 11-type extender (MD) or 28A ringer isolator. These may also be used to extend the range of selective ringing and/or provide ringer isolation on all lines using grounded ringers. Refer to Section 501-322-101 for connection information using 11-type extender, or Section 501-375-101 for information on 28A ringer isolator.

Note 2: No ringer option available (factory wired bridged ringer only) when A lead control option is used.

Note 3: Strap PSB terminal 5 to PSB terminal 7.

* Insulated and stored.

† Approximately 2600 ohm identification ground only.

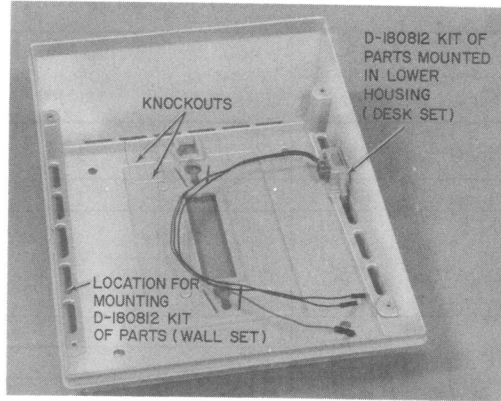


Fig. 13—Lower Housing Removed Showing Knockouts for Access by Adjunct Cords and Locations for Mounting D-180812 Kit of Parts

TABLE D
CONNECTIONS FOR D-180812 KIT OF PARTS

| D-KIT SWITCH LEADS | | TERMINAL POSTS FOR SWITCH LEAD CONNECTORS | |
|--------------------|---------------|-------------------------------------------|-------------------------------------------|
| DESIG. | COLOR (NOTE1) | RECORD DISABLE ONLY | RECORD DISABLE AND DIAL INTERMIX (NOTE 2) |
| LND-LK | BK | * | 27-LND-LK |
| VDD | R | 29-VDD | 29-VDD |
| RCD-LK | BK | 28-RCD-LK | 28-RCD-LK |

*Insulate and store.

Note 1. These are single pin connectors attached to the switch leads. There are 2 (BK) leads and 1 (R) lead. The (BK) leads are interchangeable.

Note 2. When the option is provided, the LAST NUMBER DIALED (LND) feature is disabled and the 16th memory may be used as any other memory.

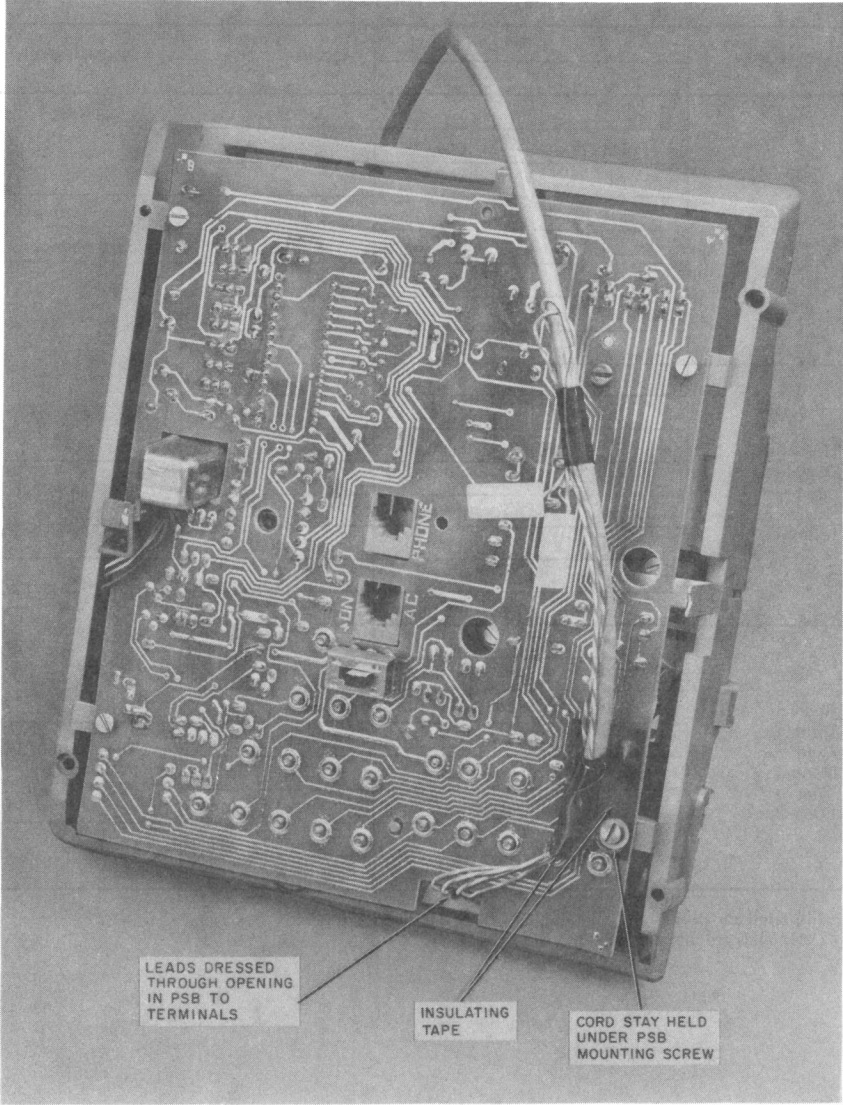


Fig. 14—Bottom of Set With Lower Housing Removed Showing an Adjunct Cord Dressed Across Power Supply Board (PSB)

TABLE E
CONNECTIONS FOR D-180837 KIT OF PARTS
(960A0IM TELEPHONE SET)

| FEATURE | LEAD | | CONNECT TO | COMMENTS |
|-----------------------------------------|--------|-------|------------|------------------------------------------|
| | DESIG. | COLOR | | |
| Record Disable Only | GRD | Y | PSB-1 | |
| | DP | G | * | |
| | DP | G | * | |
| | VDD | R | 29-VDD | These terminal posts are on 960B Memory |
| | RCD-LK | BK † | 28-RCD-LK | |
| | WDC | BK † | * | |
| | Neg. | BR | * | |
| | Neg. | BR | * | |
| Record Disable and Dial Intermix | GRD | Y | PSB-1 | |
| | DP | G | * | |
| | DP | G | * | |
| | VDD | R | 29-VDD | These terminal posts are on 960B Memory |
| | RCD-LK | BK † | 28-RCD-LK | |
| | WDC | BK † | 27-LND-LK | |
| | Neg. | BR | * | |
| | Neg. | BR | * | |
| Record Disable and Manual Dial Lock-Out | GRD | Y | PSB-1 | |
| | DP | G | PSB-12 | |
| | DP | G | PSB-13 | |
| | VDD | R | 29-VDD | These terminals posts are on 960B Memory |
| | RCD-LK | BK † | 28-RCD-LK | |
| | WDC | BK † | 27-LND-LK | |
| | Neg. | BR | * | |
| | Neg. | BR | * | |

* Insulated and stored.

† (BK) leads are interchangeable.

TABLE F

CONNECTIONS – 960A01M TELEPHONE SET WITH
3B (MD) SPEAKERPHONE SYSTEMS

| APPARATUS | CORD OR WIRE | LEAD | | CONNECT | | |
|---------------------------------|----------------------|--------|-------|-----------------|--------------|-----|
| | | | | FROM | TO | |
| | | DESIG. | COLOR | PSB TERM. | CONTROL UNIT | |
| | | | | 55A* (NOTE) | 55B | |
| 960A01M Tel Set | D6AD-87 Cord | R1 | BL-W | 6 | 28 | 10 |
| | | T1 | W-BL | 7 | 19 | 1 |
| | | LK | G-W | 10 | 11 | 35 |
| | | A1 | O-W | 5 | 12 | 2 |
| | | AG | W-G | 9 | 5 | 11 |
| | | | W-O | * | * | * |
| 666B Trmtr | T7A Mtg. Cord | M1 | S-BK | | 4 | 7 |
| | | P1 | BL-R | | 13 | 8 |
| | | -15V | BK-S | | 14 | 16 |
| | | S | O-BK | | 3 | 18 |
| | | A1 | Y-O | | 29 | 19 |
| | | F1 | G-Y | | 2 | 17 |
| | | LK | BK-O | | 11 | 35 |
| 760A LSPK | R2FK-87 Mtg. Cord | SP1 | R | | 33† | 29† |
| | | SP2 | G | | 34 | 20 |
| 2012B (MD) or 2012D Trnsf | D-Station Wire | AC1 | | | 27 | 27 |
| | | AC2 | | | 36 | 36 |

Note: Modified by Western Electric to conform to 55B control unit circuitry.

* Insulate and store.

† To reduce loudspeaker volume, move SP1 lead to terminal 24 (55A*) or 30 (55B).

TABLE G

**CONNECTIONS – 960A01M TELEPHONE SET
WITH 4A SPEAKERPHONE SYSTEM**

| APPARATUS | CORDS (SEE NOTE) | LEAD | | CONNECT TO |
|--------------------|----------------------|--------|-------|---------------|
| | | DESIG. | COLOR | |
| 960A01M Tel Set | M16H Cord | AC | R-G | * |
| | | AC | G-R | * |
| | | LK | O-W | PSB-10 |
| | | Spare | O-R | * |
| | | Spare | R-O | * |
| | | K5M | BR-W | * |
| | | IT | W-G | * |
| | | IR | G-W | * |
| | | T1 | W-BL | PSB-7 |
| | | R1 | BL-W | PSB-6 |
| | | K4C | S-W | * |
| | | K5C | W-S | * |
| | | K4B | BL-R | * |
| | | K5B | R-BL | * |
| | | AG | W-O | PSB-9 |
| | | A1 | W-BR | PSB-5 |
| 680-Type Trmtr | D8S-87 Mtg. Cord | | | |
| 108-Type LSPK | D20N-87 Mtg. Cord | | | |
| 85B1 Power Unit | M2FG Cord | AC | BK | 3 |
| | | AC | Y | 4 |

Note: All cords plug into 223D adapter. (See Fig. 18 for block diagram of interface.)

* Insulate and store

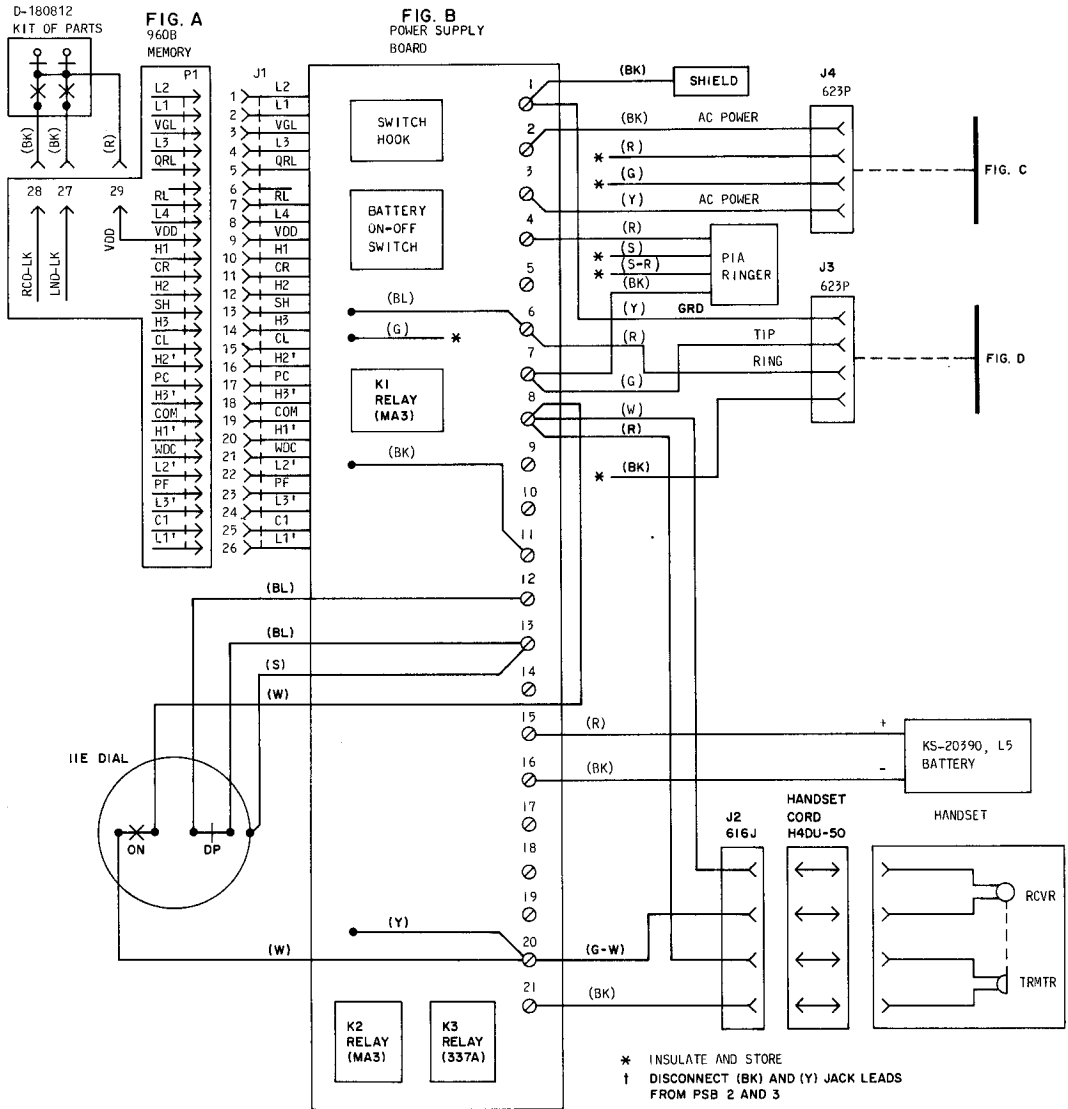


Fig. 15—960A01M Telephone Set, Connections (Sheet 1 of 2)

FIG. C
POWER CONNECTIONS

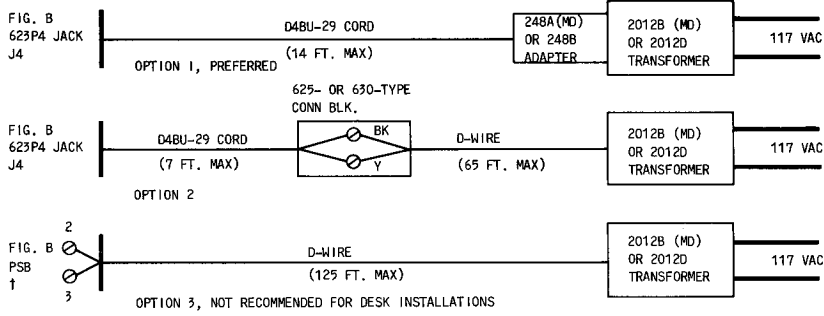


FIG. D
LINE CONNECTIONS

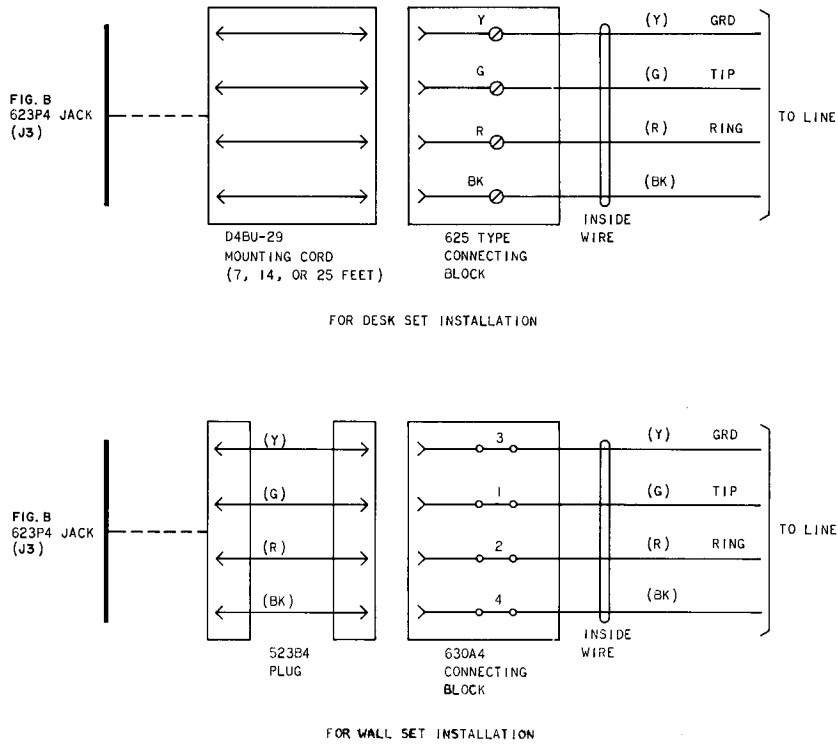
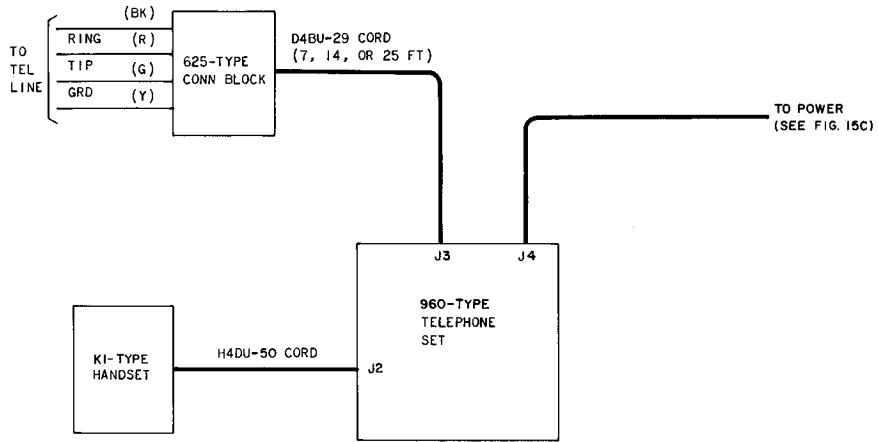
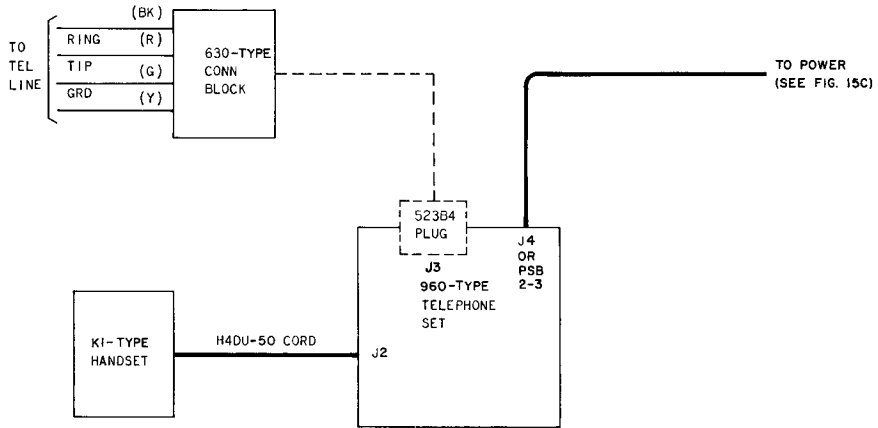


Fig. 15—960A01M Telephone Set, Connections (Sheet 2 of 2)



A. DESK SET



B. WALL SET

Fig. 16—Block Diagram—960A01M Telephone Set, Desk- and Wall-Type

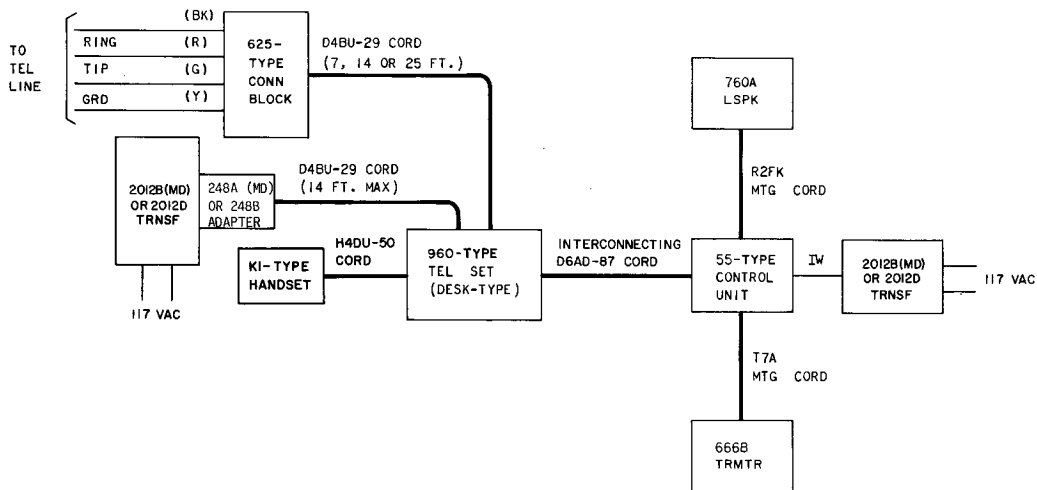


Fig. 17—Block Diagram—960A01M Telephone Set, With 3B (MD) Speakerphone

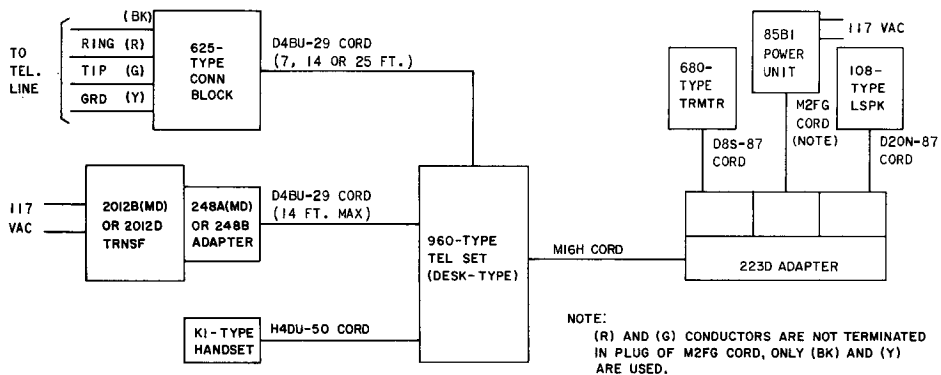


Fig. 18—Block Diagram—960A01M Telephone Set With 4A Speakerphone

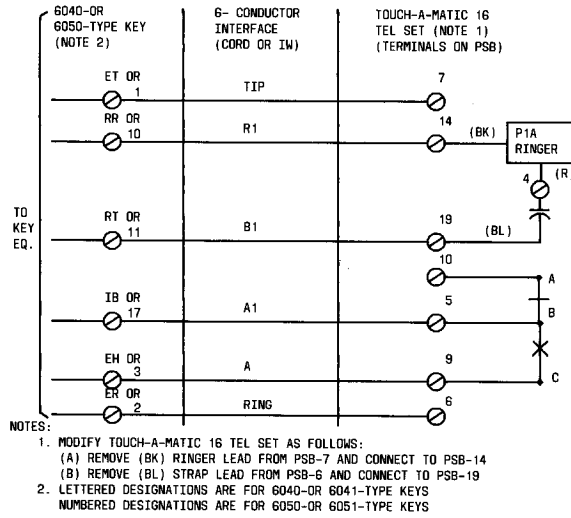


Fig. 19—Connections From Telephone Set to 6040/6050-Type Key

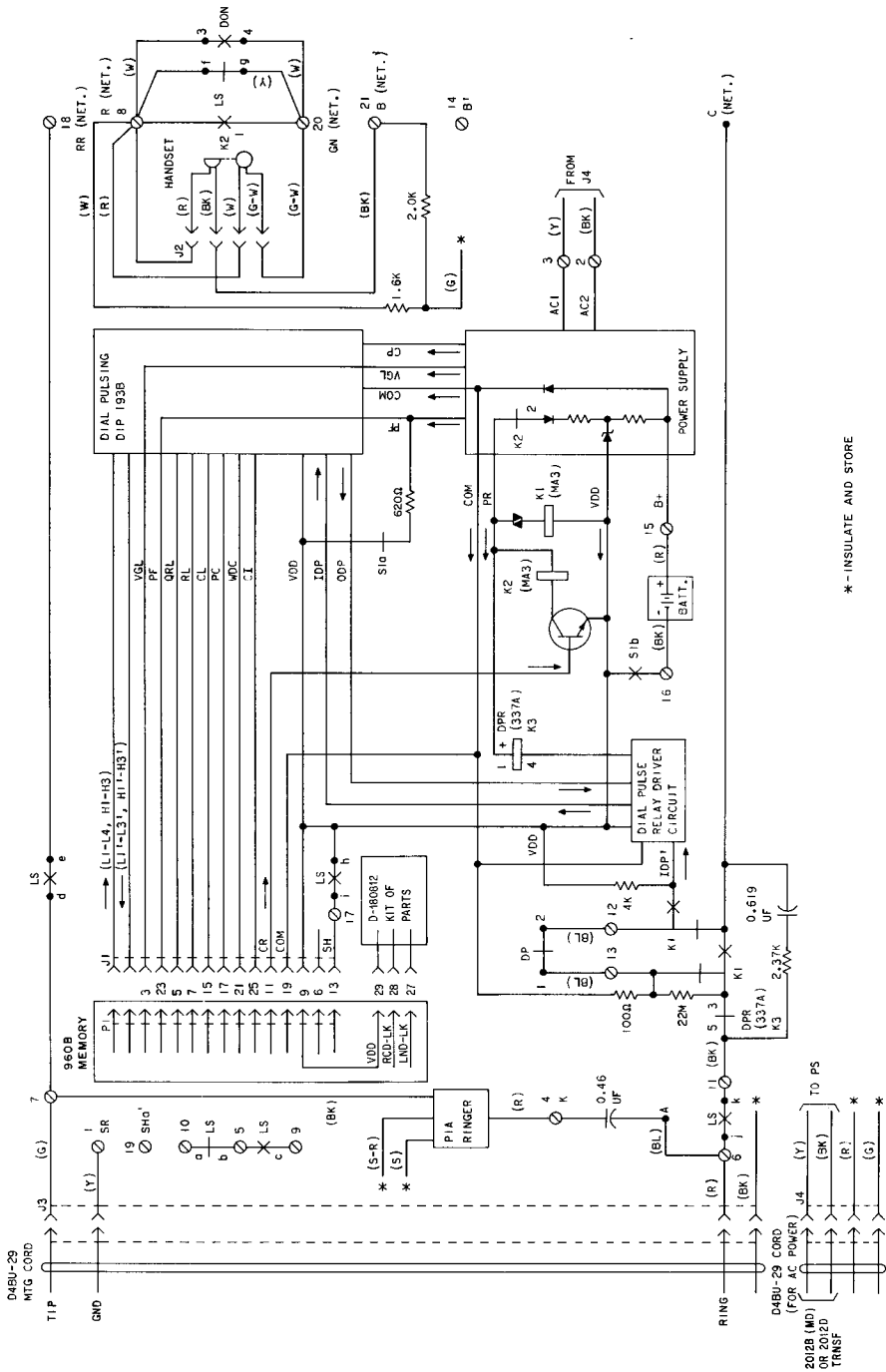


Fig. 20—960A01M Telephone Set, Partial Functional Schematic

TABLE H

TROUBLE ANALYSIS - 960A01M

| TROUBLE NUMBER | FAILURE | ADDITIONAL SYMPTOM | POSSIBLE CAUSE | REMEDIAL ACTION |
|----------------|-----------------------------------------------------------|-----------------------------------------------------------------------------------------------------------------------------|-----------------------------------------------------------|----------------------------------------------------------------------------------------------------------|
| 1 | Dead set | RECORD lamp does not turn on when RECORD button is depressed | Mounting and power cords plugged into wrong jacks | Plug cords into proper jacks |
| | | | D4BU-29 mounting cord improperly inserted at set or block | Check cord insertion and jack connections at set and block |
| | | | Bad connection between handset and telephone set | 1. Check handset cord insertion in handset and telephone set 2. Check handset jack connections in set |
| | | | Defective handset | Check and/or replace handset |
| | | | Open tip or ring lead | Check leads and connections |
| | | | Defective 616J jack | Replace jack |
| | | With strap lead between screw terminals 6 and 11 and/or 7 and 13 on PSB, dial tone is present and set operates | Defective line switch contacts d-e and/or j-k. | Replace telephone set |
| Unknown | Replace telephone set | | | |
| 2 | Cannot transmit when off-hook | | Bad connections | Check handset cord, handset, and handset jack connections |
| | | | Defective transmitter | Replace handset |
| | | | Unknown | Replace telephone set |
| 3 | Cannot receive when off-hook | | Bad connections | Check handset cord, handset and handset jack connections |
| | | | Defective receiver | Replace handset |
| | | | Defective dial off-normal contacts | Repair or replace dial |
| | | | Defective line switch f-g contacts | Replace telephone set |
| | | | Unknown | Replace telephone set |
| 4 | Cannot manually dial when off-hook (dial tone is present) | Dialing clicks heard (in handset) when dial is returning | Bridged set off-hook | Place bridged set on-hook |
| | | No dialing clicks heard when dial is returning. Condition remains unchanged when 2012B or 2012D transformer is disconnected | Improperly installed or defective rotary dial | 1. Check connections 2. Replace rotary dial |
| | | | Unknown | Replace telephone set |
| | | No dialing clicks heard when dial is returning. With 2012B or 2012D transformer disconnected, set can manually dial | Improperly installed or defective memory | 1. Check cable 2. Replace memory |
| | | | Defective PSB | Replace telephone set |

TABLE H (Contd)

TROUBLE ANALYSIS – 960A01M

| TROUBLE NUMBER | FAILURE | ADDITIONAL SYMPTOM | POSSIBLE CAUSE | REMEDIAL ACTION |
|------------------|-----------------------------------------------------------------------------------------|-----------------------------------------------------------------------------|-----------------------------------------------------------------------|-----------------------------------------------------------------------------------------------------------------|
| 5 | RECORD lamp does not function properly | RECORD lamp does not turn on when RECORD button is depressed | AC power not present | Check for commercial power |
| | | | Switch of D-180812 or D-180837 Kit of Parts in On position | Change switch position to OFF |
| | | | D4BU-29 power cord improperly inserted | Check cord insertion at set and 248A or 248B adapter |
| | | | 2012B or 2012D transformer defective or not plugged in | Check or replace 2012B or 2012D transformer. (Should read 13.4 to 18 Vac across screw terminals 2 and 3 on PSB) |
| | | | Memory or RECORD OFF button stuck down | Clear stuck button |
| | | | Defective lamp or lamp driver circuit | Replace memory |
| | | | Unknown | Replace telephone set |
| | | Lamp turns off when any memory button is depressed | Improperly installed or defective memory | 1. Check connector cable 2. Replace memory |
| | | | Unknown | Replace telephone set |
| | | Lamp does not turn off as dial is returning. Can not manually dial off-hook | Improperly connected or defective rotary dial (dial pulsing contacts) | 1. Check rotary dial connections 2. Replace rotary dial |
| | | | Unknown | Replace telephone set |
| | | Lamp does not turn off as dial is returning. Can manually dial off-hook | Improperly connected or defective Memory | 1. Check connector cable 2. Replace Memory |
| | | | Unknown | Replace telephone set |
| | | Lamp turns off as dial is returning and stays off | Memory button was not depressed prior to the operation of the dial | Record per 5.01 |
| Defective Memory | Replace Memory | | | |
| Unknown | Replace telephone set | | | |
| 6 | Cannot record into Memory | RECORD lamp momentarily flashes when RECORD button is depressed | Stuck RECORD OFF button | Check RECORD OFF button |
| 7 | Cannot record properly into the 15 memory positions or into LAST NUMBER DIALED position | RECORD lamp functions properly and set dials manually | Defective Memory | Replace Memory |
| | | | Unknown | Replace telephone set |
| | | Party is reached when number is recorded as it is manually dialed; however, | Check recording procedure | Record per 5.01 |
| | | | Defective Memory | Replace Memory |

TABLE H (Contd)

TROUBLE ANALYSIS – 960A01M

| TROUBLE NUMBER | FAILURE | ADDITIONAL SYMPTOM | POSSIBLE CAUSE | REMEDIAL ACTION |
|----------------|----------------------------------------------|--------------------------------------------------------------------------------------------------------------------------------------------------------------|------------------------------------------------------|---------------------------------------------------------------------------------------------------------------------------------------------------------------------------------------------------------------------------------------------------------------------------------------------------------------------------------------------------------|
| 7 (Contd) | | when number is subsequently dialed from Memory, party is not reached – wrong number is dialed from Memory | Unknown | Replace telephone set |
| 8 | Cannot dial properly from Memory | MA ₃ relay does not operate (no click heard) when memory button is depressed | Improperly connected or defective Memory | 1. Check connector cable 2. Replace Memory |
| | | | Unknown | Replace telephone set |
| | | No digits, random digits or all the same digits in memory location(s). <i>Note:</i> Memory may or may not have functioned properly at some previous time. | AC power outage for 16 hours or longer | Reestablish ac power and rerecord numbers into Memory |
| | | | Disconnected or defective battery | 1. Check KS-20390L5 battery connections and ON-OFF switch 2. Allow the battery to be charged for a minimum of 5 minutes. Then momentarily remove the 2012B or 2012D transformer from the ac power outlet and reinsert. 3. If previously stored numbers are not dialed from Memory replace the battery 4. Repeat procedure to check new battery |
| | | | Defective Memory | Replace Memory |
| Unknown | Replace telephone set | | | |
| 9 | All memory dialing functions are inoperative | RECORD lamp is on | RECORD ON button stuck down | Clear stuck button |
| | | Can manually dial off-hook with AC power on or off | RECORD OFF button stuck down | Clear stuck button |
| | | | Battery switch off | Place switch to ON |
| | | | Defective Memory logic | Replace Memory assembly |
| | | | Unknown | Replace telephone set |
| 10 | Ringer does not operate | Operates with adjust lever in HIGH position | Marginal operation with adjust lever in LOW position | Readjust lever position |
| | | | Ringer lower limit stop screw removed | Replace lower limit stop screw in ringer |
| | | Does not operate with lever in HIGH position | Open ringer connections | Check connections and ringer leads |
| | | | Defective ringer | Replace ringer |

TABLE H (Contd)

TROUBLE ANALYSIS – 960A01M

| TROUBLE NUMBER | FAILURE | ADDITIONAL SYMPTOM | POSSIBLE CAUSE | REMEDIAL ACTION |
|----------------|------------------------------------------------------------------------------------------------------|-------------------------------------------------------------|-----------------------------------------------------------------------|-----------------------------------------------------------------------------------|
| 11 | Noisy line | Hum on line when set is off-hook | Defective power | Replace telephone set |
| | | | Unknown | Replace telephone set |
| 12 | Replace wrong numbers when dialing from memory locations (Numbers are not the same as were recorded) | Numbers can be rerecorded and dialing from Memory is proper | Improperly connected or defective (BK) lead from shield | Check lead and connection. (Lead must be connected to GRD). Replace shield |
| | | | Improperly connected or defective (Y) lead from mounting cord jack J3 | Check lead and connections – (Y) lead must be connected to Grd Replace jack J3 |
| | | | Defective D4BU mounting cord | Replace cord |
| | | | (Y) lead at connecting block not connected to earth ground | Check connections and insure that (Y) lead is dedicated as earth ground |

2960A01M TOUCH-A-MATIC® 16 TELEPHONE SET

IDENTIFICATION, INSTALLATION, CONNECTIONS, OPERATION, AND MAINTENANCE

| CONTENTS | PAGE | CONTENTS | PAGE |
|--------------------------------------------------------------------------------|------|---------------------------------------------------------|------|
| 1. GENERAL | 2 | A. Record A Number Into Memory | 16 |
| 2. IDENTIFICATION | 3 | B. Change a Number In Memory | 16 |
| A. Design Features | 3 | C. Delete A Number From Memory | 16 |
| B. Optional Features | 3 | D. Automatically Dial A Number From Memory | 16 |
| C. Operating Features | 4 | E. LAST NUMBER DIALED Feature | 16 |
| D. Ordering Guide | 4 | F. End-to-End Signaling | 17 |
| 3. INSTALLATION | 7 | G. Access Code | 17 |
| Installation Check Procedures | 12 | H. Speakerphone Option | 17 |
| OPTIONAL APPARATUS INSTALLATION | 12 | I. Multiline Service | 18 |
| D-180812 Kit of Parts (Record Disable and Dial Intermix Features) | 12 | 6. MAINTENANCE | 18 |
| COMPONENT LOCATION AND ACCESS INFORMATION | 13 | A. Return Procedure | 18 |
| A. Location of Components | 13 | B. Trouble Analysis | 18 |
| B. Access of Components | 15 | C. Battery | 18 |
| Faceplate Removal | 15 | D. Memory | 18 |
| Upper Housing Removal | 15 | E. 35AT3A Dial | 19 |
| Lower Housing Removal | 15 | F. P1A Ringer | 20 |
| Power Supply Board (PSB) Terminals | 15 | G. Handset jack | 21 |
| 4. CONNECTIONS | 16 | H. D-180837 Kit of Parts | 22 |
| 5. OPERATION | 16 | 7. CONVERSION FROM DESK SET TO WALL SET | 22 |
| | | 8. CORD DRESSING FOR OPTIONAL SERVICES | |

NOTICE

Not for use or disclosure outside the
Bell System except under written agreement

| CONTENTS | PAGE |
|----------------------|------|
| (ADJUNCTS) | 23 |

1. GENERAL

1.01 This section contains information on the 2960A01M telephone set. This set is shipped from the factory as a desk set (Fig. 1) and can easily be converted to a wall set with no additional parts required.

1.02 This section is reissued to:

- Add information on D-180812 Kit of Parts
- Add information on D-180837 Kit of Parts

- Add information on D-180851 Kit of Parts
- Add 960B Memory
- Add new Fig. 7, 8, and 13
- Revise Fig. 1, 6, 15, 16, 17, 18, and 20
- Revise Tables B, C, and H
- Add new Tables D and E.
- Add 2012C and 2012D transformers
- Show 2012A and 2012B transformers MD
- Add 248B adapter
- Show 248A adapter MD



Fig. 1—2960A01M Telephone Set

Since this reissue covers a general revision, arrows ordinarily used to indicate changes have been omitted.

1.03 The 2960A01M telephone set is a single line set and is factory-wired for bridged ringing. It can be wired to provide A lead control for 1A1, 1A2, or 6A key telephone systems (KTS).

1.04 The telephone set is available in Ivory (-50) only. For color selection of available faceplate, refer to Table A.

2. IDENTIFICATION

2.01 The 2960A01M telephone set provides the standard features of a single line set plus manual TOUCH-TONE® dialing, automatic dialing of 15 frequently called or important numbers, and a LAST NUMBER DIALED scratch pad memory.

A. Design Features

2.02 Design Features:

- Modular telephone set
- Integrated circuit memory and dial
- Surge protector
- Polarity guard
- Memory buttons from which to select preprogrammed telephone numbers for automatic dialing
- Capability to record and automatically dial 15 telephone numbers of up to 15 digits each
- Last number manually dialed memory
- Battery for memory retention in event of ac power outage
- Battery OFF-ON switch
- Supplementary directory
- Directory Privacy (hidden directory)
- Convertability from a desk set to a wall set
- End-to-end signaling.

B. Optional Features

2.03 Optional Features (refer to Table B):

- Selective ringing
- Tip party with identification ground
- 4-party full selective or 8-party semiselective ringing using an 11-type extender, 426N diode, or 28A ringer isolator as a coupling device
- A-lead control for 1A1, 1A2, or 6A key telephone systems
- Speakerphone—either 3B (MD) or 4A speakerphone may be interfaced with the telephone set

Note: For use with a speakerphone, all dialing must be performed with the handset off-hook (paragraph 5.09). Speakerphone and tip party identification options cannot be provided at the same time.

- Multiline service—using adjunct key

Note: Replacing the handset each time a line is changed assures proper dialer operation (paragraph 5.10).

- 107-type loudspeaker set (SPOKESMAN® unit) may be interfaced with the telephone set (See Section 463-221-100)
- D-180812 Kit of Parts provides the following features.
 - (a) Record Disable (only)—turns off the recording feature to prevent accidental erasures of previously stored numbers
 - (b) Record Disable and Dial Intermix—same as record disable feature plus.
 - (1) Allow digits dialed from manual dial and from memory to be intermixed without having to depress the RECORD OFF button (see paragraph 5.06).
 - (2) Disables the LAST NUMBER DIALED feature.

- D-180837 Kit of Parts provides the following features.

Note: The following features are implemented by a key-lock switch located in lower housing.

- Record Disable only—turns off the recording feature to prevent accidental erasures of previously stored numbers
 - Record Disable and Dial Intermix—same as record disable feature plus.
 - Allow digits dialed from manual dial and from memory to be intermixed without having to depress the RECORD OFF button (see paragraph 5.06).
 - Disables the LAST NUMBER DIALED feature
 - Record disable and manual dial lock-out.
 - Kit of parts normally installed at the service center and is not recommended for field replacement.
- D-180851 Kit of Parts provides the following features.
 - Standard modular G-type handsets can be used with desk sets when modified with the D-180851 Kit of Parts. This kit consists of ivory colored transmitter and receiver caps used to replace the standard caps in the G-type handset. Modifier G-type handsets can be used to provide the following features when the appropriate K-type handset is not available or is incompatible.
 - Amplified receiver (G6BM).
 - Amplified transmitter (G7BM).
 - Noisy location (G8BM).
 - Acoustic or inductive coupling to customer-provided equipment (G15A).

2.04 All options are implemented by:

- Wiring changes in the telephone set
- Installation of appropriate additional items.

C. Operating Features

2.05 Operating Features:

- Dial (TOUCH-TONE dial), 35AT3A
- 16-button memory field of low force, low travel nonlocking buttons arranged in two columns; one along the left-hand edge of the memory and the second along the right-hand edge. Each column has eight memory buttons plus a ninth button (bottom button) for the record function
- LAST NUMBER DIALED button (the next to the bottom button in the right-hand column of nine buttons) when momentarily depressed, with the handset off-hook, initiates automatic redialing of the last number manually dialed
- RECORD button (the bottom button in the left-hand column of nine buttons) is nonlocking and when momentarily depressed, lights the RECORD lamp and enables the memory circuits to store telephone numbers manually dialed
- RECORD OFF button (the bottom button in the right-hand column of nine buttons) is nonlocking and when momentarily depressed, extinguishes the RECORD lamp indicating that the dialer is switched out of the record mode
- Battery OFF-ON switch (located on the bottom of the set, Fig. 2), should be in the OFF position when set is not in service.

D. Ordering Guide

2.06 Ordering Guide:

- The 2960A01M telephone set is a modular type set and may be ordered as follows:

- Set, Telephone, 2960A01M-50

This includes.

- Adapter, 248A (MD) or 248B (to connect D4BU modular mounting cord to 2012B (MD) or 2012D transformer) Fig. 2.
- Plug, 523B4, (used when converting from a desk set to a wall set) Fig. 12.
- Cord, Handset, H4DU-50.

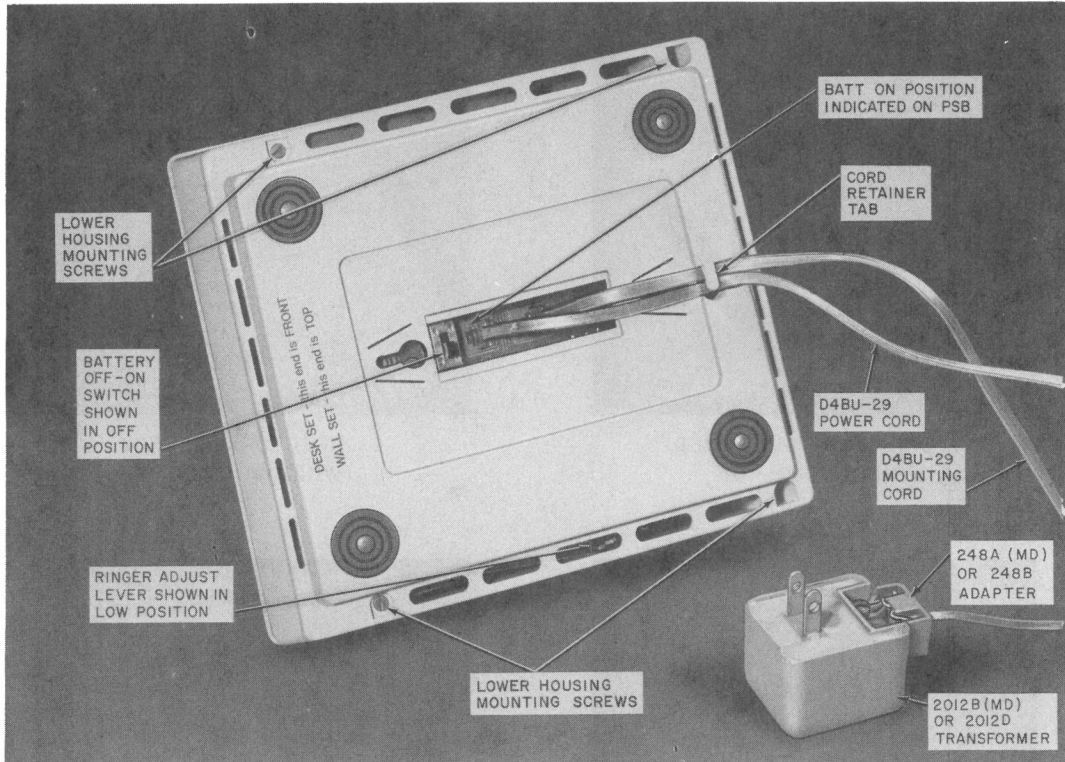


Fig. 2—2960A01M Telephone Set, Bottom View

(4) All components listed in (c) Replaceable Components, except faceplates and D4BU-29 cords.

(b) **Ordered separately:**

- Transformer, 2012D (required to provide ac power for operation of the automatic dialer)

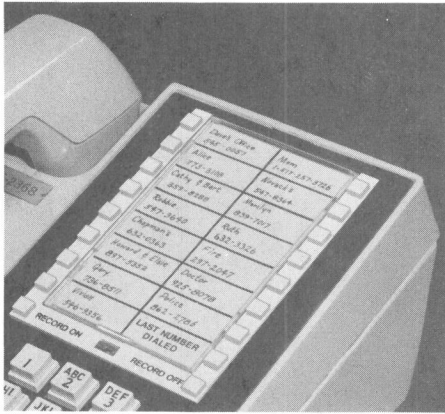
Note: A 2012A (MD) or 2012C transformer shall not be substituted for a 2012B (MD) or 2012D, as proper operation can not be assured.

- Clamp, 2A (used to secure 2012B or 2012D) transformer to outlet)
- Faceplate, 260A-* (Table A)
- Cord, Mounting, D4BU-29

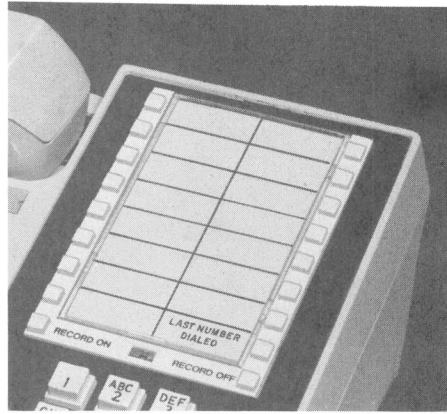
- Cord, Mounting, D4BU-29 (power cord, maximum 14 feet)
- Cord Clips, B (for dressing cords as needed).

(c) **Replaceable Components:** may be ordered separately as follows:

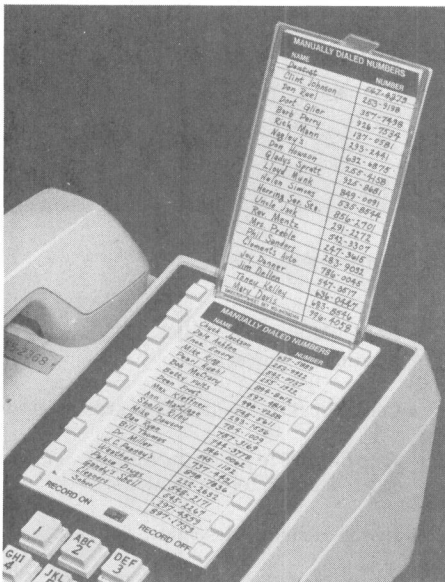
- Lower Housing Assembly, 60AL-50
- Upper Housing Assembly, 60AU-50
- Faceplate, 260A-* (Table A)
- Handset, K1-type
- Cord, Handset, H4DU-50
- Cord, Mounting, D4BU-29



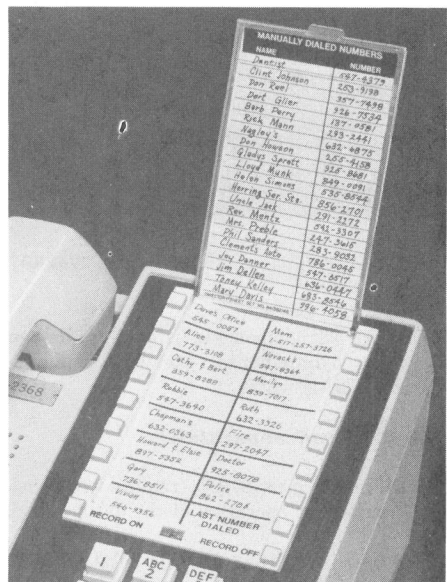
A. DIRECTORY DISPLAYED
(WINDOW CLOSED)



C. DIRECTORY PRIVACY
(WINDOW CLOSED)



B. DIRECTORY DISPLAYED
(WINDOW OPEN)



D. DIRECTORY PRIVACY
(WINDOW OPEN)

Fig. 3—Optional Methods of Installing Directory Card

TABLE A

FACEPLATE ORDERING GUIDE (See Note)

| CODE | COLOR |
|----------|---------|
| 260A-100 | Avocado |
| 260A-108 | Teak |
| 260A-109 | Walnut |
| 260A-111 | Gold |
| 260A-112 | Orange |
| 260A-113 | Brown |
| 260A-114 | Red |
| 260A-115 | Blue |
| 260A-118 | Black |

Note: A display package containing all 9 color faceplates can be ordered as a D-180666 Kit of Parts. This package is intended for use as an aid to permit selection of color on subscribers premises. Cardboard insert shipped with set is discarded at time of installation.

- Cord, Mounting, D4BU-29 (power cord, maximum 14 feet)
- Jack, Handset, 616J
- Battery, KS-20390L5
- Ringer, P1A
- Dial, 35AT3A
- Memory, 960-type (includes button field)
- 841382245 Cover Assembly
- 841382146 Directory Sheet Set (includes four directory sheets and one sheet of color dots)
- 812558039 (P-25E803) Station Number Card Retainer
- 841381098 Handset Hook

- 841388721 Shield (Fig. 4)
- Subscriber Instruction Booklet SIB 2480C)

(d) **Optional apparatus:**

- See Table B for apparatus required

*Add appropriate color suffix per Table A.

3. INSTALLATION

Danger: For safety, securely attach retaining clamp to ac outlet using outlet cover screw **BEFORE** attempting to install 2012B (MD) or 2012D transformer. The transformer and any other cord plugged into the ac outlet should always be unplugged completely from outlet **BEFORE** attempting to attach or remove the clamp. This will prevent the possibility of a loosened retainer clamp or metallic outlet cover making contact with the ac prongs of the transformer when partially withdrawn from outlet. Do not use retaining clamp on outlets where cover mounting screw holds the duplex outlet in the box.

Caution: Do not turn on the battery switch or plug in the 2012B or 2012D transformer until all connections and modifications are completed. Take extreme care not to damage the exposed components, circuits, etc. when the set is opened.

Warning: Care should be taken to trim and dress leads connecting to low voltage output terminals of 2012B or 2012D transformer to assure that inadvertent connection to conducting surfaces or other power source does not occur. If more than one transformer is plugged into a multiple receptacle power strip, there must be at least one inch separation between transformers. Only UL listed receptacle power strips with adequate power rating shall be used. Use of a continuous terminal power strip that allows the secondary output terminals of the transformer to be in close

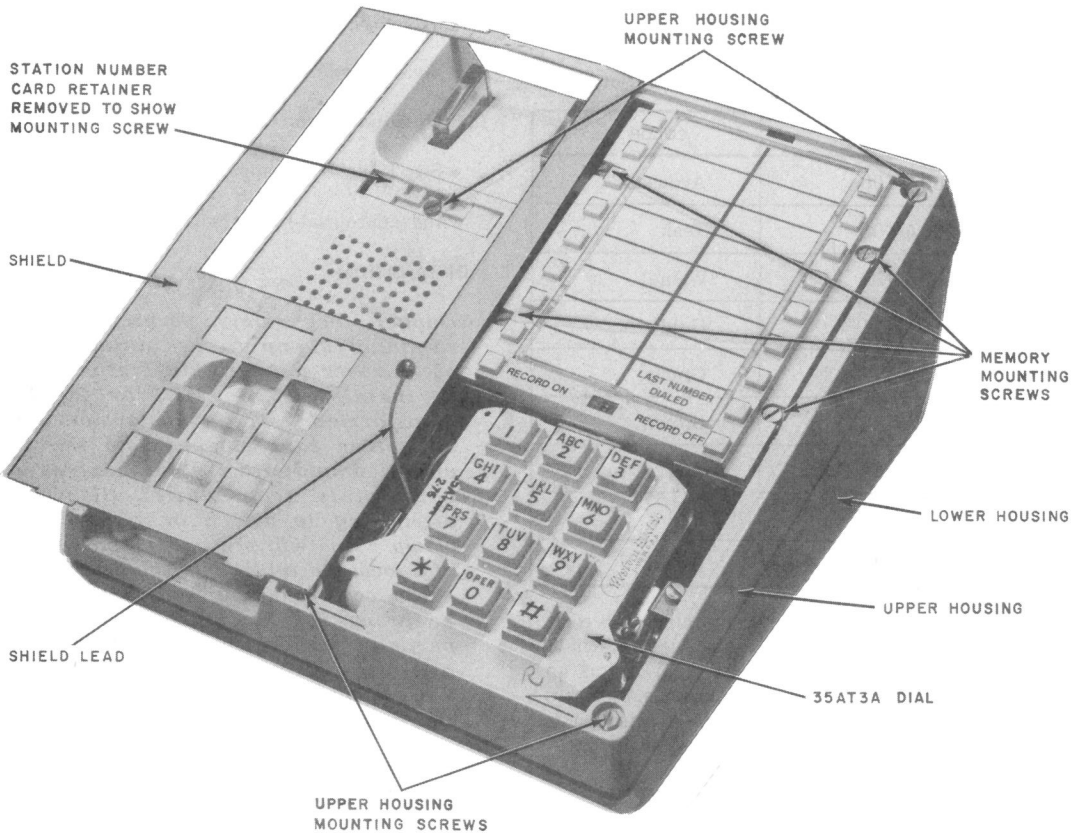


Fig. 4—2960A01M Telephone Set With Handset and Faceplate Removed and Shield Laid Aside

proximity to the ac line source is not recommended.

3.01 Terminate the local loop into a jack or connecting block suitable for the D4BU-29 mounting cord. If this is to be a wall set installation, terminate loop into a 630A4 connecting block and refer to Part 7 of this section for conversion of set. For standard desk set installation, terminate loop into 625-type connecting block.

Note: For information on modular connecting blocks or adapters, refer to Section 503-100-100.

3.02 Lay shield aside and make all wiring changes and telephone set modifications (Table B)

before external connections are made to the set (paragraph 4.01). Remove upper housing (paragraph 3.16), if necessary, for set modification.

Caution: Protection of the integrated circuits from static discharge depends on the black (BK) lead from the shield being connected to earth ground. Factory-wired sets depend on the yellow (Y) lead of the 625- or 630-type connecting block being connected to earth ground. In wiring options, care should be taken that the black (BK) lead from the shield remains connected to earth ground.

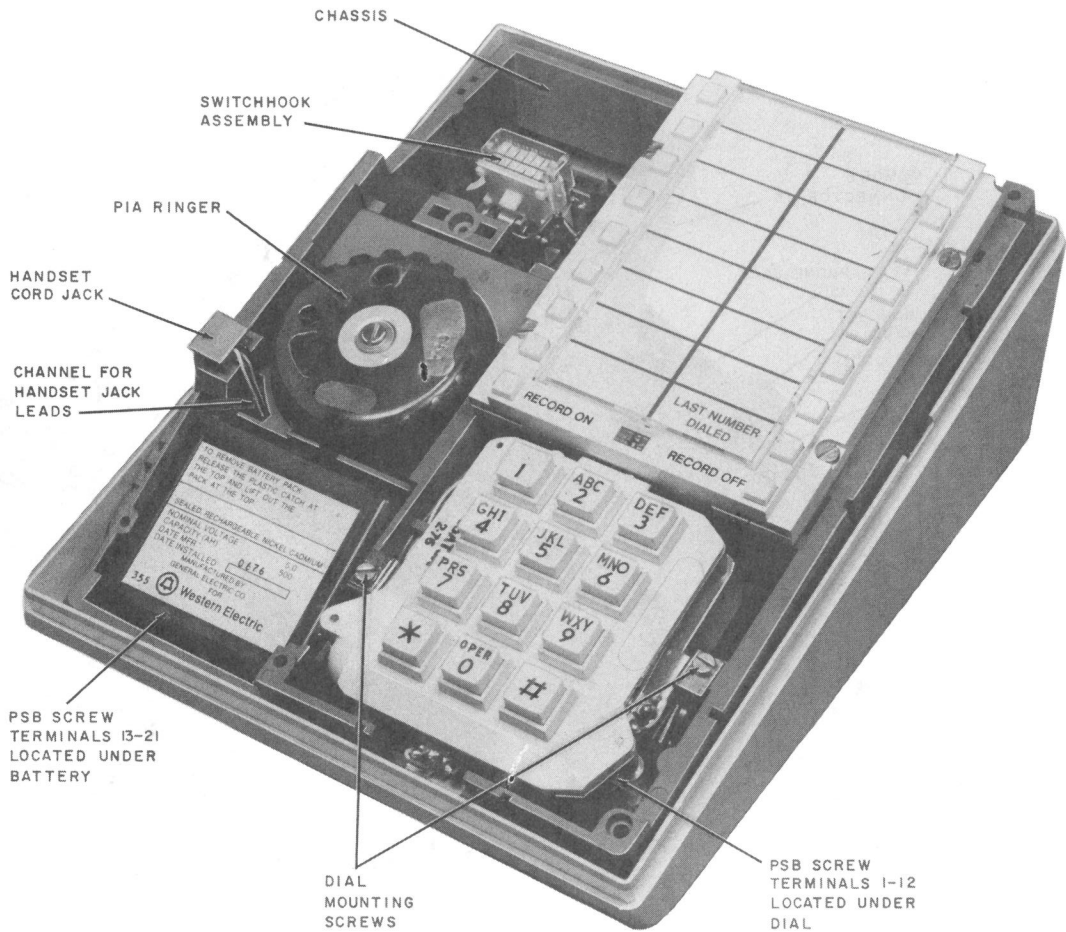


Fig. 5—2960A01M Telephone Set With Handset, Faceplate, Shield, and Upper Housing Removed

- 3.03** Replace upper housing and install faceplate of subscriber's choice, (see note, Table A).
- 3.04** Attach 248A or 248B adapter to 2012B or 2012D transformer (Fig. 2) and plug into 110-117 volt ac outlet not controlled by a switch (continuous ac power is required). Plug one end of the D4BU-29 power cord (maximum 14 feet) into the power jack on the bottom of the set (Fig. 15D) and the other end into the 248A or B adapter.

Note: The 2012B or 2012D transformer must be located no closer than 1-1/2 feet from

the telephone set in order to avoid a potential noise condition.

- 3.05** The transformer may also be placed at a remote location with D-station or inside wire used for all or part of the connection. (See Fig. 15D for the wiring options and the maximum conductor lengths.) The transformer should not be used for furnishing power to anything other than this set.

Caution: The ac power to the 2960A01M telephone set shall not be provided over the BK and Y conductors of

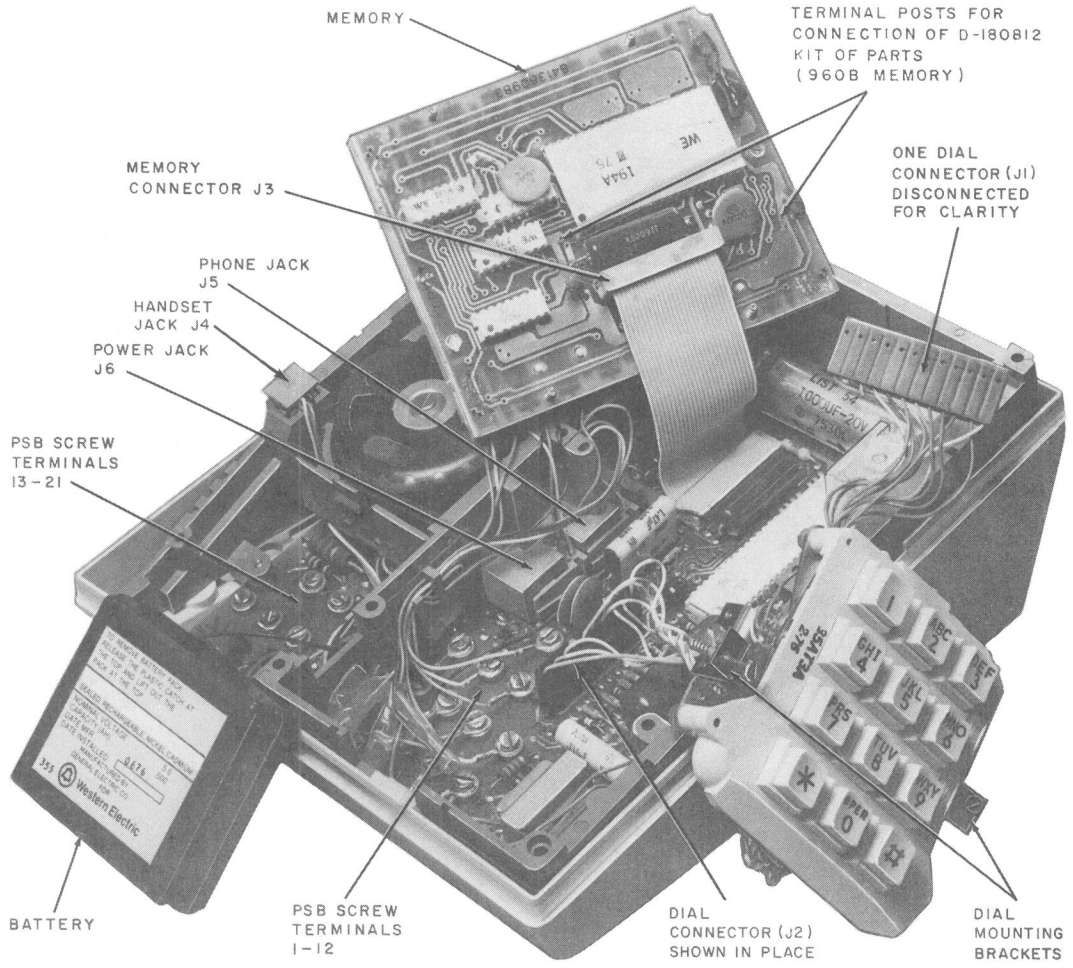


Fig. 6—2960A01M Chassis and Lower Housing With Dial, Memory, and Battery Laid Aside and Shield Removed

the modular mounting cord used for connecting to the line since these leads may be grounded for some applications and neither ac power lead may be connected to earth ground.

3.06 The set is shipped from the factory with the battery switch in the OFF position. After all wiring changes and modifications have been completed, tilt the set up and move the battery

switch arm (now visible in the bottom view of the set, Fig. 2) to the ON position.

Note: The switch ON position is indicated on the bottom of the printed wiring board, (Fig. 2) and if switch is not placed in ON position the set will not record or automatically dial.

3.07 For desk installation, connect mounting cord to phone jack on bottom of set and plug

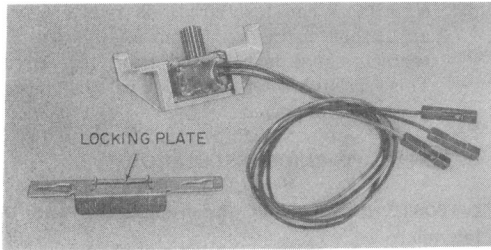


Fig. 7—D-180812 Kit of Parts

into 625-type connecting block. (For wall installation, refer to Part 7.)

Note: Dress all cords under retainer tab at bottom rear of housing, Fig. 2.

Caution: Stapling of the D4BU-29 cord can break the conductor. Use a B-cord clip for dressing.

3.08 The side of the card labeled LAST NUMBER DIALED is installed by sliding the card between the underneath side of the cover (window) and the card retainer strip as shown in Fig. 3A.

3.09 A second card with supplementary directory card side up is placed under the retainer tabs and positioned on the top surface of the memory frame as shown in Fig. 3B.

3.10 When the subscriber does not want the directory prominently displayed, the directory privacy option is used as follows.

a) A blank directory card with the side labeled LAST NUMBER DIALED up, is installed per paragraph 3.08 (Fig. 3C).

b) The actual directory card, with the side labeled LAST NUMBER DIALED up, is placed under the retainer tabs and positioned on the top surface of the memory frame (Fig. 3D).

3.11 The station number card retainer 812558039 (P-25E803) snaps into the upper housing just below the well for the handset receiver.

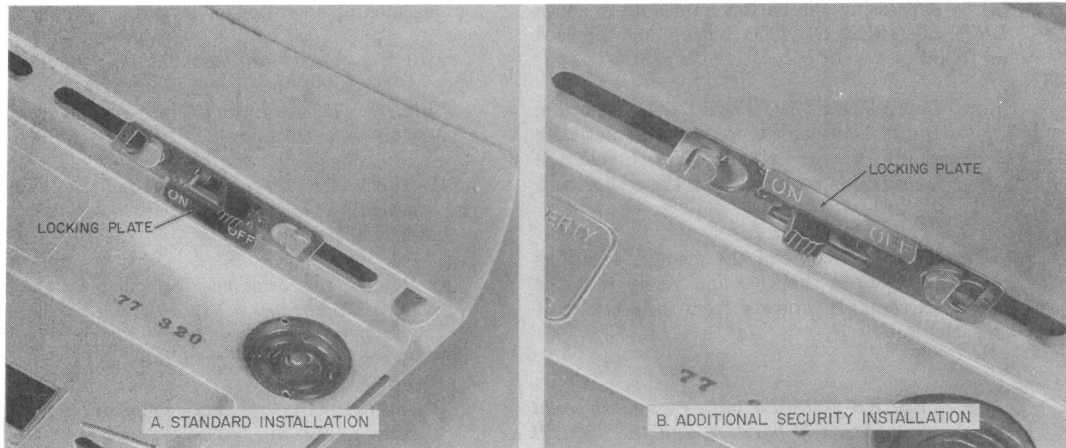


Fig. 8—Optional Methods of Installing Locking Plate of D-180812 Kit of Parts

Installation Check Procedure

3.12 Check the telephone set installation per the following tests (refer to Part 5 for operation).

In case of failure, refer to Trouble Analysis, Table H.

- (1) Disconnect the 2012B or 2012D transformer from ac power and manually dial the appropriate code for ring-back to test the ringer and to check that the basic telephone operates properly in the absence of commercial power.
- (2) Reconnect the 2012B or 2012D transformer to ac outlet.
- (3) With the handset on-hook, record digits 1 through 0 into all memory locations except LAST NUMBER DIALED and the button immediately above it [paragraphs 5.01 (4) through (7)].
- (4) Manually dial CO dial test and ringer circuit and simultaneously record into memory location immediately above LAST NUMBER DIALED button [paragraphs 5.01 (4) through (7)]. After depressing RECORD OFF button and when dial test circuit is ready, test dial frequencies by manually dialing digits 1 through 0 into the test circuit.
- (5) Momentarily hang up handset and automatically dial the test circuit number recorded in Step (4) by depressing the button immediately above LAST NUMBER DIALED button and proceed as follows.
 - (a) Depress LAST NUMBER DIALED button. Digits 1 through 0 will be automatically dialed into the test circuit. Verify that the correct signal is returned from the test circuit.
 - (b) Depress buttons of the memory locations recorded in Step (3) and verify that the correct signal is returned from the test circuit each time.



The KS-20390L5 battery switch must be in the ON position and the 2012B or 2012D transformer must be connected a minimum of five minutes before doing Step (c).

- (c) Momentarily disconnect from the 2012B or 2012D transformer (for 5 to 10 seconds). After reconnecting transformer and securing with a 2A clamp, depress the memory button immediately above the LAST NUMBER DIALED button which accesses the dial test and ringer circuit. When test circuit is ready, depress any other memory button and verify that correct signal is returned from test circuit. This verifies memory retention with commercial power disconnected.

OPTIONAL APPARATUS INSTALLATION**D-180812 Kit of Parts (Record Disable and Dial Intermix)**

3.13 Install the D-180812 Kit of Parts (Fig. 7) as follows.

- (1) Remove lower housing (paragraph 3.17).
- (2) Position the switch assembly as shown by Fig. 13.
- (3) Secure the switch assembly with the locking plate as shown by Fig. 8A and 8B.
 - (a) For **desk set** installations, the locking plate may be oriented either way according to customer preference. With locking plate flange on the outside, (Fig. 8B), it provides a more secure installation in regards to accidental operation of switch.
 - (b) For **wall set** installations, the switch assembly should be located as shown by Fig. 13. Locate locking plate per Fig. 8A so switch is accessible.
- (4) Insert the three leads from the switch assembly between the circuit board and the chassis under the memory.
- (5) Replace the lower housing and place the set upright.
- (6) Remove faceplate (paragraph 3.15).
- (7) Disengage the four captive memory mounting screws (Fig. 4).
- (8) Rotate the right edge of the memory upward (Fig. 6) and connect the three leads to the

terminal posts on the 960B Memory per Table D.

Note: If set is equipped with a 960A Memory, replace it with a 960B Memory and carefully pack and return the old memory according to local procedures.

(9) With feature switch in OFF position, verify that set operates in normal manner.

- Numbers can be recorded into memory
- Numbers can be changed
- Numbers can be deleted from memory
- Manually dialed numbers are automatically entered into LAST NUMBER DIALED position.

(10) Set switch to ON position and verify feature provided.

- Record disable feature only.
 - (a) RECORD lamp will not light when RECORD button is depressed.
 - (b) No telephone numbers can be recorded, changed, or deleted from memory.
 - (c) LAST NUMBER DIALED feature is operative.
- Record disable and dial intermix features.
 - (a) RECORD lamp will not light when RECORD button is depressed.
 - (b) No telephone numbers can be recorded, changed, or deleted from memory.
 - (c) LAST NUMBER DIALED feature is disabled.
 - (d) Manually and automatically dialed digits may be intermixed (paragraph 5.06).

(11) Reassemble set.



For complete memory security, the switch assembly may be installed through the housing from below, with the switch inside the housing. This type installation would make it necessary to remove the lower housing to make any changes in memory, or features provided, and is not recommended.

COMPONENT LOCATION AND ACCESS INFORMATION

A. Location of Components

3.14 The components are located as follows.

- **Faceplate**—held in place by three tabs which align with mating slots in the upper housing cutout and is positioned over the dial and memory assembly with appropriate holes that align with the dial buttons and memory assembly (Fig. 1).
- **Shield**—underneath faceplate and is positioned over the dial and Memory (Fig. 4).
- **Battery**—snaps into a cavity on the top side and left front corner of the chassis (Fig. 5).
- **Battery Switch**—soldered to power supply printed wiring board with switch arm accessible at bottom of set through opening near center of lower housing (Fig. 2).
- **Ringer**—fastened by two screws to bosses on the bottom of the chassis (Fig. 9) and rests in a cavity just to the rear of the battery cavity (Fig. 5).
- **Handset Jack**—slides into a cavity on the top left side wall of the chassis adjacent to the ringer and battery (Fig. 5).
- **Switchhook Assembly**—soldered to power supply printed wiring board and located at left-rear corner of power supply board (PSB) (Fig. 5).
- **TOUCH-TONE Dial**—fastened by two screws and located on the top side at right-front corner of the chassis (Fig. 4).

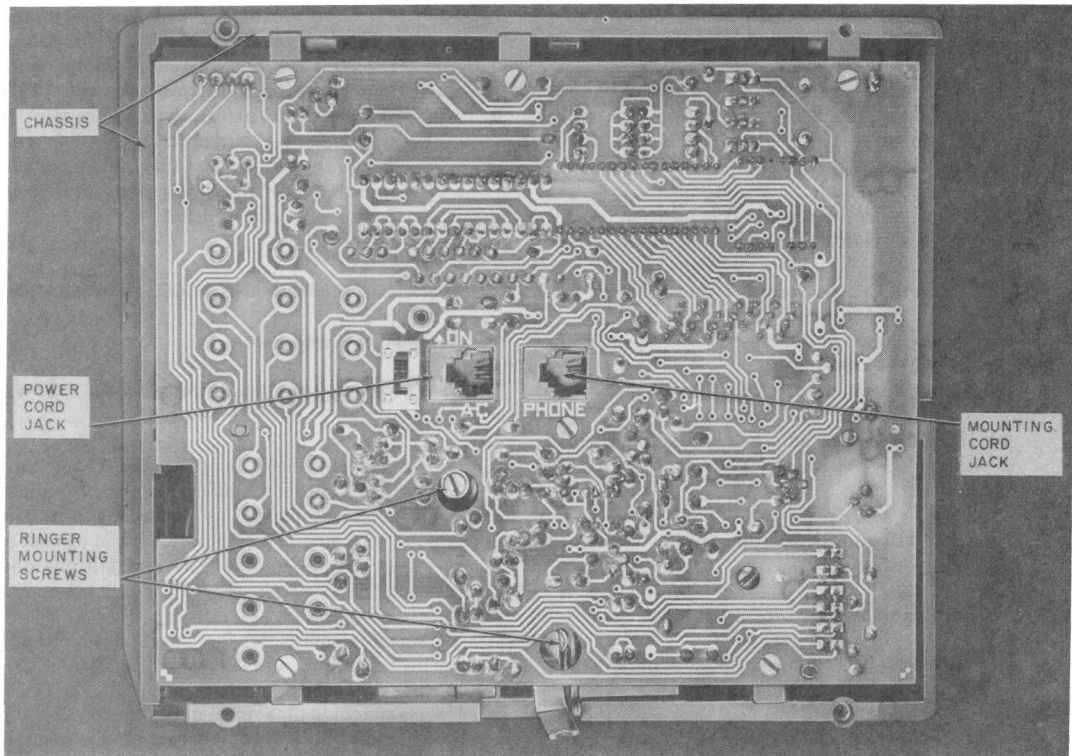


Fig. 9—Bottom View of Power Supply Board (Lower Housing Removed)

- **Memory**—fastened by four screws and located just to the rear of the dial on the top right side of the chassis (Fig. 4).
- **Network**—electronic components soldered to power supply printed wiring board replace the conventional network.
- **Power Supply Printed Wiring Board Assembly**—fastened by six screws to bosses on the bottom of the chassis (Fig. 9).
- **Power Supply Printed Wiring Board Screw Terminal Areas**—(Fig. 5 and 6).
- **Mounting Cord and Power Cord Jacks**—slide into adjacent cavities on the bottom side of the center wall of the chassis. Jacks are held in place when power supply board is fastened to bottom of chassis and are accessible through holes in the lower housing and power supply board (Fig. 2 and 9).
- **Lower Housing**—fastened by four screws to the bottom side of the chassis (Fig. 2).
- **Upper Housing**—fastened by four screws to the top side of the chassis (Fig. 4).
- **Chassis**—main structural member to which other component assemblies are fastened, including the upper and lower housings (Fig. 5 and 9).

B. Access of Components**Faceplate Removal**

3.15 The faceplate has one tab at the top center and two tabs near the bottom corners. To remove, gently bow the upper housing wall away from the top tab and pull up to free the faceplate tab. This can be done by using the thumbnail of one hand on the housing and a fingernail of the other hand on the faceplate. Then slide the faceplate slightly upward to free the two bottom tabs and remove the faceplate. To reinsert the faceplate, slide the two bottom tabs into mating slots in the upper housing, lower the faceplate on to the top edge of the housing cutout and gently bow the upper housing wall away from the top tab of the faceplate. Push down top of faceplate and release housing.

Upper Housing Removal

3.16 To remove the upper housing, proceed as follows.

- (1) Unplug the modular handset cord at the telephone set end and remove handset.
- (2) Remove the faceplate (paragraph 3.15) and place the shield aside (Fig. 4).

Caution: Use extreme care when handling shield. Do not bend the shield or break solder connection of attached lead.

- (3) Remove the station number card retainer and station number card.
- (4) Disengage the four captive upper housing screws (Fig. 4).
- (5) Remove the upper housing by slipping the shield through the faceplate cutout.
- (6) To replace the upper housing, reverse the procedure.

Lower Housing Removal

3.17 To remove the lower housing proceed as follows.

- (1) Remove the modular mounting and power cords from under the retainer tab and unplug cords from jacks in the bottom of the telephone set (Fig. 2).
- (2) Disengage the four captive screws located at the corners of the lower housing on the bottom of the telephone set (Fig. 2).
- (3) Remove the lower housing.
- (4) To replace the lower housing, reverse the procedure.

Power Supply Board (PSB) Terminals

3.18 To access the screw terminals 1 through 12 (under the dial) on the power supply board, proceed as follows.

- (1) Remove the faceplate (paragraph 3.15) and place the shield aside.
- (2) Disengage the two captive screws that hold the dial in place.
- (3) Gently lift dial, rotating counterclockwise to enable frequency switches located at lower front edge of dial to clear housing. As dial rotates clear, it may be placed on memory assembly with dial buttons up as in Fig. 10.
- (4) Check that dial connections are properly seated and reassemble by reversing the procedure.

3.19 To access screw terminals 13 through 21 (under the battery) on the power supply board, proceed as follows.

- (1) Remove the upper housing (paragraph 3.16).
- (2) Gently push back on the battery retainer catch and swing the rear edge of the battery upward to release the battery.
- (3) Carefully lift the battery from its cavity and lay aside.
- (4) To reassemble, reverse the procedure.

Note: To reinsert battery, position lower edge first and then push top of battery under retainer catch.

4. CONNECTIONS

- 4.01** Telephone set connections are shown in Fig. 15.
- 4.02** Refer to Table B for connection information for all options.
- 4.03** A partial functional schematic is shown on Fig. 20.

5. OPERATION

Note: If the telephone set is used behind a PBX, etc., where an access code is required, see paragraph 5.07.

A. Record A Number Into Memory**5.01** To record.

- (1) Remove the directory sheet (Fig. 1).
- (2) Write or type (using light pressure), the desired name and telephone number for a selected memory button on the associated position of the directory sheet.
- (3) Replace the directory sheet.
- (4) Depress the RECORD button. The RECORD lamp adjacent to the RECORD button will light. (A number can be called and recorded simultaneously by lifting handset before depressing the RECORD button.)

Note: If set is equipped with a D-180812 or D-180837 Kit of Parts, switch must be placed in the OFF position.

- (5) Depress the specific memory button adjacent to the desired telephone number listed on the directory sheet.
- (6) Manually dial the desired telephone number.

Note: A number up to 15 digits in length may be recorded. The RECORD lamp will go out momentarily as each digit is dialed. If exactly 15 digits are recorded, the RECORD lamp will go out and stay out, indicating that the dialer has been reset. If memory button was not depressed, the RECORD lamp will

go out when the first digit is dialed and recording operation will be voided.

- (7) Depress the RECORD OFF button if less than 15 digits are recorded. The RECORD lamp will go out. The dialer will be reset. The number is now stored in the selected memory. The dialer can also be reset by a switchhook operation.

B. Change A Number In Memory

Note: If set is equipped with a D-180812 or D-180837 Kit of Parts, switch must be placed in the OFF position.

- 5.02** Whenever a new number is recorded in a previously used memory position, it will automatically replace the previously stored number.

C. Delete A Number From Memory

Note: If set is equipped with a D-180812 or D-180837 Kit of Parts, switch must be placed in the OFF position.

5.03 Complete the following operations in sequence.

- (1) Depress the RECORD button.
- (2) Depress the memory button corresponding to the name and number to be deleted.
- (3) Depress the RECORD OFF button.

D. Automatically Dial A Number from Memory**5.04** To automatically dial a number.

- (1) Go off-hook and listen for dial tone.
- (2) Depress the desired memory button.

E. LAST NUMBER DIALED Feature

Note: If set is equipped with a D-180812 or D-180837 Kit of Parts, and dial intermix feature is provided, switch must be placed in the OFF position.

5.05 Operation of LAST NUMBER DIALED feature.

- (1) Go off-hook.

- (2) Listen for dial tone.
- (3) Manually dial telephone number.
- (4) Hang up to reset dialer for automatic dialing.
- (5) To redial same number automatically, go off-hook, listen for dial tone, and depress LAST NUMBER DIALED button.

Note: Note that the RECORD lamp never comes on during LAST NUMBER DIALED operations.

F. End-to-End Signaling

5.06 For end-to-end signaling (such as data transmission) this set has the capability to intermix manual and automatic dialing. This can be accomplished if the following procedure is observed.

(a) **Standard Operation:** If, at any time, digits are dialed manually, the RECORD OFF button must be depressed before additional digits can be dialed automatically from memory. (The RECORD lamp will not light at any time but depressing the RECORD OFF button will remove the set from the "last number dialed mode" and allow additional automatic dialing.)

(b) **Record Disable and Dial Intermix (D-180812 or D-180837 Kit of Parts):** With the switch in the ON position manually and automatically dialed digits may be intermixed as desired. Operation of the RECORD OFF button is not required.

Note: In this mode, the RECORD button and the LAST NUMBER DIALED feature are inoperative.

G. Access Code

5.07 If there is no break in dial tone after the access code, simply record the number prefixed by the access code.

5.08 When a pause for second dial tone is required following an access code, one of the following procedures is necessary to record and automatically dial from memory.

(a) Use one memory button for access code as follows.

- (1) Record the required access code in one memory location.
- (2) Record the remaining number in a second memory location.
- (3) To automatically dial a number:

(a) Go off-hook, listen for dial tone, and depress the memory button for the access code.

(b) Listen for a second dial tone and depress the appropriate memory button or the LAST NUMBER DIALED button for the telephone number.

(b) To save a memory location by not recording the access code, an alternate procedure may be used.

Note: LAST NUMBER DIALED, feature can not be used with this procedure.

(1) Just record the desired telephone number into memory—do not record the access code.

(2) Go off-hook, listen for dial tone, manually dial the required access code, and depress (not necessary to depress RECORD OFF button with record disable and dial intermix feature) the RECORD OFF button. (This will remove set from LAST NUMBER DIALED mode and allow additional automatic dialing.)

(3) Listen for a second dial tone and depress the memory button for the desired telephone number.

H. Speakerphone Option

5.09 Use speakerphone in normal manner except that all dialing must be done with handset off hook. After dialing, depress the speakerphone ON button and hold it depressed until the handset is placed on hook.

I. Multiline Service (using 6040/6050-type key)

5.10 Replacing the handset each time a line key is changed assures proper dialer operation. If a number is dialed manually from one line and another line key is depressed to make another outgoing call without hanging up, the RECORD OFF button should be depressed before dialing. This will remove the set from the "last number dialed mode" to allow either automatic dialing or proper recording of a manually dialed number into LAST NUMBER DIALED position.

6. MAINTENANCE

Caution: *Operation of battery OFF-ON switch to OFF position will result in loss of memory if ac power is not present.*

6.01 In case of power failure, the automatic dialing feature cannot be used. The battery retains the number associated with each of the memory buttons for at least 16 hours. If power loss exceeds 16 hours, the numbers may have to be rerecorded.

A. Return Procedure

6.02 Any replaced set or (component) should be returned in the carton of the replacement with a label placed on the outside of the carton stating that contents are defective. When a set is not being replaced by a new one, use a D-180600 Kit of Parts for returning set to repair center.



Always place battery switch in OFF position when set is removed from service.

B. Trouble Analysis

6.03 When trouble is encountered, the subsequent procedure should be followed.

- (1) Confirm trouble report either as an automatic dialer (Part 5), or as a basic telephone set.
- (2) Check for improper connections.
- (3) Refer to Table H and paragraphs 6.04 through 6.08.

C. Battery

6.04 The KS-20390L5 battery has an expected life of about 4 years. It can be replaced without loss of memory provided that commercial ac power to the set is continuously maintained. To replace the battery, proceed as follows (Fig. 5).

- (1) Remove the upper housing (paragraph 3.16).
- (2) Release the battery [paragraph 3.19 (2) and (3)].
- (3) Disconnect the battery leads.

Caution: *Do not short battery terminals.*

- (4) Remove battery.
- (5) Install new battery.
- (6) Reassemble the set.



Before doing Step 7 insure that:

- (a) *The battery switch is in the ON position.*
- (b) *The new battery has been connected for a minimum of five minutes.*
- (c) *That there is a known telephone number recorded in a memory location.*
- (7) Momentarily disconnect the 2012B or 2012D transformer (for 5 to 10 seconds). After reconnecting the 2012B or 2012D and securing with a 2A clamp, automatically dial the previously recorded known telephone number. This will verify retention of memory by the new battery.

D. Memory

6.05 The Memory may be replaced in the following manner.

Note: Removal of the Memory results in loss of stored telephone number.

- (1) Disconnect 2012B or 2012D transformer.
- (2) Turn button switch to OFF.

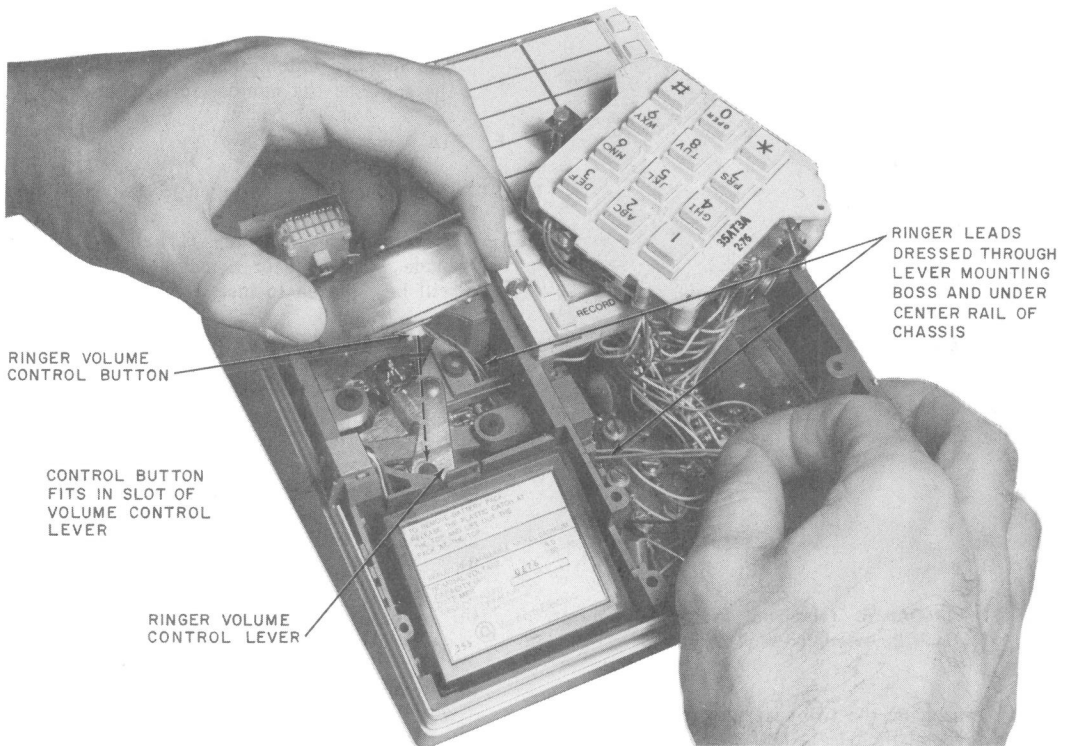


Fig. 10—Ringer Being Installed in 2960A01M Chassis With Dial Rotated onto Memory and Shield Removed

- (3) Remove the faceplate (paragraph 3.15) and place the shield aside.
- (4) Disengage the four captive memory screws (Fig. 4).
- (5) Rotate the right edge of the memory upward.
- (6) Disengage the connector at the memory (Fig. 6) by pulling it perpendicular to the circuit board.
- (7) Replace the Memory by engaging the connector. The connector is keyed, one position is filled and should fit over the vacant position in the row of pins. The cable should not be twisted.
- (8) Tighten the four captive screws.

- (9) Replace the shield and faceplate.
- (10) Test per paragraph 3.12.
- (11) Place the old Memory in the shipping container of the new Memory (carton 900314535), affix a defective label and return to the repair location.

E. 35AT3A Dial

6.06 To replace.

- (1) Disconnect 2012B or 2012D transformer.
- (2) Turn battery switch to OFF.
- (3) Remove the faceplate (paragraph 3.15) and place the shield aside.

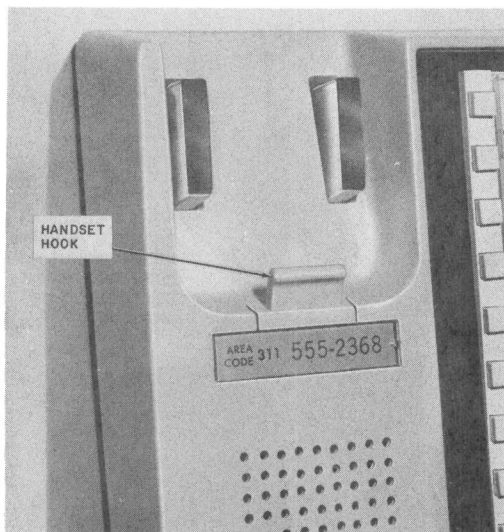


Fig. 11—2960A01M Telephone Set With Handset Hook Reversed for Wall Mounting

- (4) Disengage the two captive screws that hold the dial in place.
- (5) Disengage the four captive memory screws (Fig. 4), gently lift and rotate Memory counterclockwise and rest lightly on top of housing.
- (6) Lift dial out and carefully disengage the dial connectors by pulling up perpendicular to the printed wiring board.
- (7) Remove the two dial mounting brackets from the dial (Fig. 6).
- (8) To install a new dial, reverse the previous steps. The connectors are keyed to orient them relative to the pins. Observe the correct orientation and do not force the connections.
- (9) To test the dial for both manual and automatic operation.
 - (a) Go off-hook and manually dial a known telephone number.
 - (b) Momentarily hang up handset and depress the LAST NUMBER DIALED button. The number automatically dialed should be the same as the number in Step (a).

F. P1A Ringer

6.07 To replace the P1A ringer proceed as follows.

Note: To perform Steps (11) and (14) a split blade expandable or a magnetic screwdriver will be required to install the new ringer.

- (1) Disconnect 2012B or 2012D transformer.
- (2) Turn battery switch to OFF.
- (3) Remove the lower housing (paragraph 3.17).
- (4) Disengage and remove the two ringer mounting screws which can be accessed through the clearance holes in the power supply board (Fig. 9).
- (5) Temporarily replace the lower housing and place the set on its feet.
- (6) Remove the upper housing (paragraph 3.16).
- (7) Remove the dial [paragraph 3.18 (2) and (3)] and place aside (Fig. 10).
- (8) Disconnect the ringer leads and remove ringer.
- (9) Dress the leads of the new ringer through the ringer adjust arm mounting boss and under the center rail of the chassis, and connect to the appropriate terminals.
- (10) As the ringer is lowered into its mounting position, pull any slack in the leads through to the dial side of the center rail (Fig. 10).
- (11) Replace the dial.
- (12) Remove the lower housing. Holding the ringer in position, turn the chassis over to expose the clearance holes in the power supply board.
- (13) Attach one ringer mounting screw onto the blade of a screwdriver, (see preceding note).

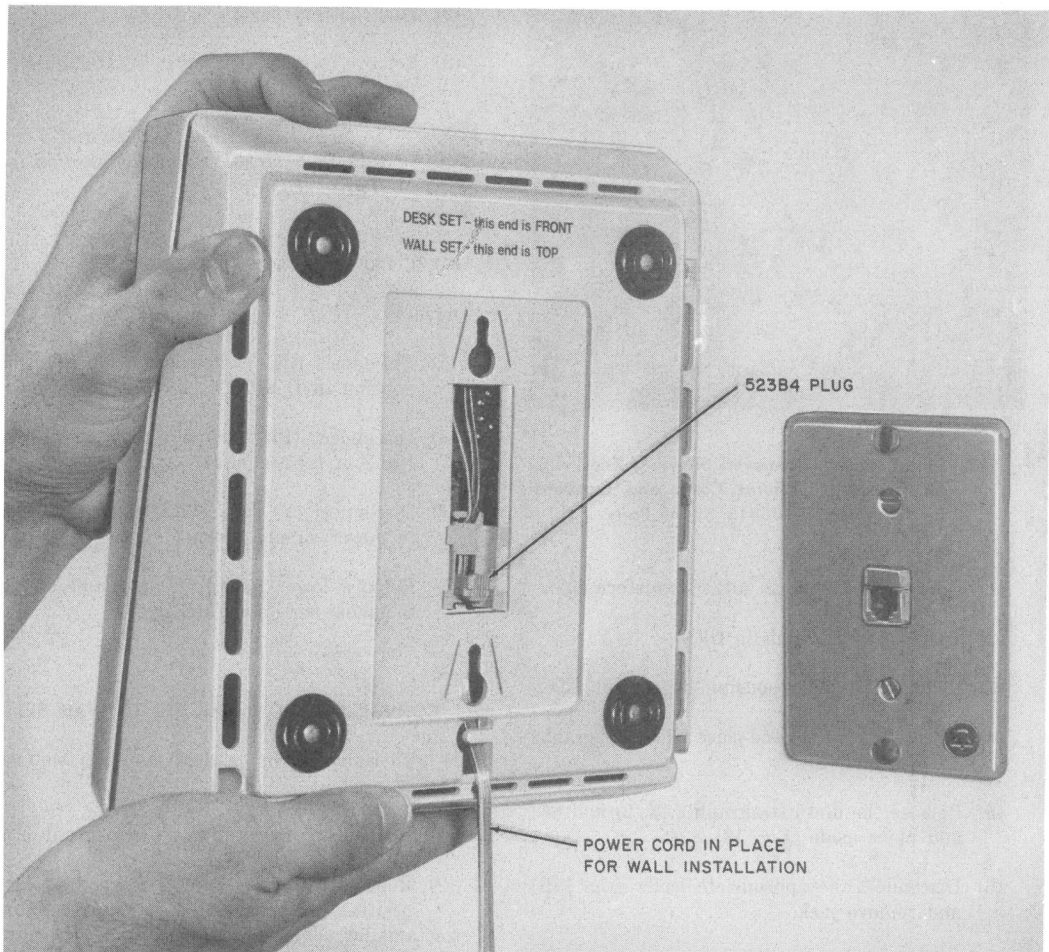


Fig. 12—2960A01M Wall Set and 630A4 Connecting Block

- (14) Insert the ringer mounting screw into one location and secure ringer.
 - (15) Align the ringer adjust arm over the ringer volume control button (Fig. 10).
 - (16) Replace the remaining ringer mounting screw with the "special" screwdriver and tighten ringer into place.
 - (17) Replace the housings, and shield, faceplate, and handset.
 - (18) Dial appropriate code for ring-back to test the ringer.
- G. Handset Jack**
- 6.08** To replace the 616J handset jack (Fig. 5 and 6).

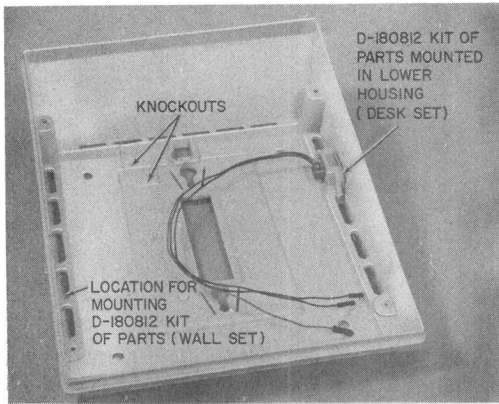


Fig. 13—Lower Housing Removed Showing Knockouts for Access by Adjunct Cords and Locations for Mounting D-180812 Kit of Parts

- (1) Disconnect 2012B or 2012D transformer.
- (2) Turn battery switch to OFF.
- (3) Remove the upper housing (paragraph 3.16).
- (4) Release the battery and place aside [paragraphs 3.19 (2) and (3)].
- (5) Release the dial [paragraph 3.18 (2) and (3)] and place aside (Fig. 10).
- (6) Disconnect the appropriate leads (Fig. 15B) and remove jack.
- (7) Replace the jack and dress jack leads in channel behind jack (Fig. 5).
- (8) Reassemble set.
- (9) Verify proper handset operation.

H. Defective Telephone Set Which has a D-180837 Kit of Parts Installed

6.09 To replace a defective set which has a D-180837 Kit of Parts installed, it is necessary to move the lower housing of the defective set to the new set as follows.

- (1) Disconnect transformer.

- (2) Turn battery switch to OFF.
- (3) Remove faceplate (paragraph 3.15) and place shield aside (Fig. 4).



Before doing Steps 4, 5, 6, and 7 note switch wire color and designation (see Table E).

- (4) Remove memory [paragraph 6.04 (4), (5), and (6)] and disconnect switch leads from memory.
- (5) Disconnect (BR) switch lead from connector housing in D-Kit.
- (6) Disconnect (BR) switch lead from position No. 2 of connector J1.
- (7) Disconnect (Y) switch lead from terminal 1 in power supply board.
- (8) Remove lower housing and install on new telephone set (see Table E).

7. CONVERSION FROM DESK SET TO WALL SET

7.01 To convert from a desk set to a wall set, proceed as follows.

- (1) Remove the lower housing (paragraph 3.17).
- (2) Remove the 523B4 plug from its stored position and snap both sides of the plug into rectangular slot in the bottom of the lower housing. Snap plug in from the outside so that the word **TOP** is properly oriented in the housing (Fig. 12). The plug should slide freely in the slot.
- (3) Insert the other end of the 523B4 plug into the jack position designated **PHONE** on the power supply board.
- (4) Insert the power cord up through the cord opening below the plastic retainer tab in the bottom of the lower housing (Fig. 12).
- (5) Connect the power cord to the telephone set per the appropriate option of Fig. 15D.

- (6) Place the lower housing on the chassis according to the instructions on the bottom (Fig. 12).
- (7) Engage the four captive screws to fasten the lower housing to the bottom of the chassis.
- (8) Remove the station number card retainer and station number card from the upper housing.
- (9) Disengage the captive screw from the chassis and lift out the concealed handset hook and screw from the cavity in the upper housing.
- (10) Completely remove the captive screw from one side of the handset hook and insert it into the other side.
- (11) Place the handset hook back into its cavity in the upper housing, engage the screw with the chassis, and fasten the hook down (Fig. 11).
- (12) Replace the station number card and card retainer.
- (13) The converted wall set is intended to plug into and secure to a 630A4 connecting block (Fig. 12 and 16B).

7.02 When connecting set to wall, proceed as follows to prevent damage to 523B4 plug or to receptacle in 630A4 connecting block.

- (1) Begin with slight engagement of plug in receptacle.
- (2) Raise set (with plug slightly engaged) and push toward wall to engage studs in

corresponding holes in base of set. (The plug will slide up and down in the base of the set.)

- (3) Pull set downward until firmly seated. (A snap should be felt.)
- (4) Gently tug on the top and then on the bottom of the set. If one of the studs is not engaged, that end of the set will move away from the wall. In that case, remove the set and repeat the procedure.

8. CORD DRESSING FOR OPTIONAL SERVICES (ADJUNCTS)

8.01 Knockouts are provided in the bottom rear of the lower housing (Fig. 13), to accommodate the additional cords associated with the connections of wiring options such as speakerphone, SPOKESMAN® service, etc.

- (a) For small cords it is necessary to remove only the vertical portion of the knockouts on the rear of the housing.
- (b) For larger cords and connectors, the remainder of the knockout should be removed.

8.02 Strain relief for optional cordage may be obtained by using any of the six screws used to fasten the power supply board to the bottom of the chassis (Fig. 14). Proper precautions must be taken so that the stay band and hooks do not short any circuit paths. Insulating tape should be placed around the cord and stay band and also applied to the power supply board under the cord (Fig. 14).

8.03 A rectangular cutout at the right front edge of the power supply board provides access for dressing individual spade-tipped leads to the appropriate screw terminals on the power supply circuit board (Fig. 14).

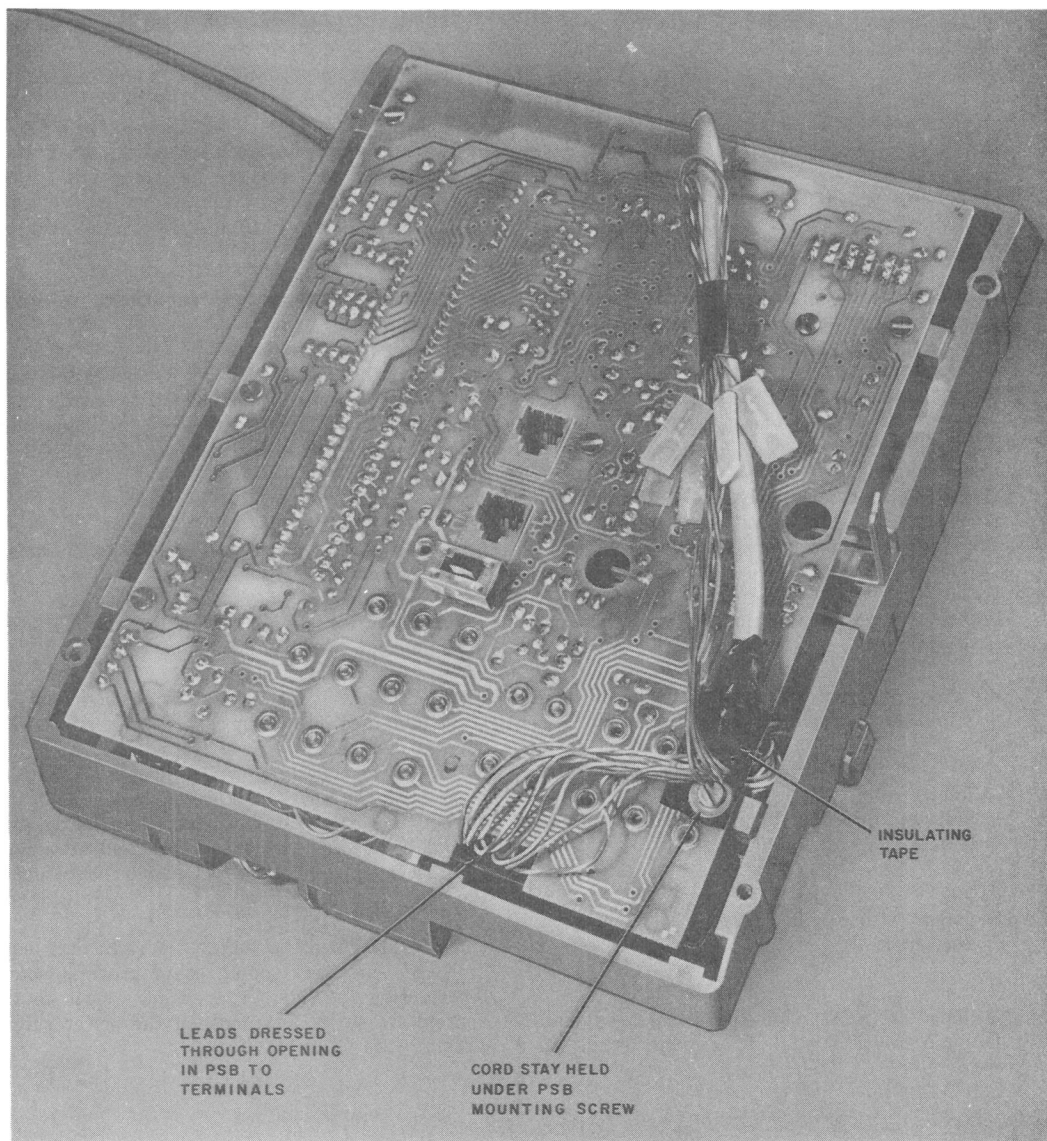


Fig. 14—Bottom of Set With Lower Housing Removed Showing an Adjunct Cord Dressed Across Power Supply Board (PSB)

TABLE B

OPTIONS

| OPTION | | ADDITIONAL ITEMS REQUIRED | | CONNECTION PER | |
|---------------------------------------------------------------|--------------|--------------------------------------------------------------|------|----------------|-------|
| | | | | FIG. | TABLE |
| Selective Ringing† | | | | | C |
| Tip Party Identification | | | | | C |
| A-Lead Control | | | | | C |
| Conversion to Wall Mounted Telephone Set | | 523B4 Plug‡ | | 12 & 16 B | |
| | | 630A4 Connecting Blk | | | |
| Speakerphone | 3B | 760A Loudspeaker | | 17 | F |
| | | 666B Transmitter | | 17 | F |
| | | Control Unit | 55A* | 17 | F |
| | | | 55B | 17 | F |
| | | 2012B (MD) or 2012D Transformer | | 17 | F |
| | D6AD-87 Cord | | 17 | F | |
| | 4A | 108-Type Loudspeaker | | 18 | G |
| | | 680-Type Transmitter | | 18 | G |
| | | 223D Adapter | | 18 | G |
| | | 85B1 Power Unit | | 18 | G |
| Multiline Service | | 6040/6050-Type Key And Interface Cord (Min. of 6 Conductors) | | 19 | |
| Record Disable Only | | D-180812 Kit of Parts (See Note) | | 7, 8, & 13 | D |
| Record Disable and Dial Intermix | | | | | |
| Amplifier-Type Handset | | G6BM, G7BM, or G8BM Handset and D-180851 Kit of Parts | | | |
| Acoustic or Inductive Coupling to Customer Provided Equipment | | G15A Handset and D-180851 Kit of Parts | | | |
| Record Disable Only | | D-180837 Kit of Parts (See Note) | | | E |
| Record Disable and Dial Intermix | | | | | |
| Record Disable and Manual Dial Lock-Out | | | | | |

* Modified for TOUCH-TONE® service.

† For selective ringing with superimposed ringing current, refer to Note 1 of Table C.

‡ Provided with set and taped inside lower housing.

Note: Telephone set must be equipped with a 960B Memory when these kits are used.

◆ TABLE C ◆

CONNECTIONS – 2960A01M TELEPHONE SET FOR
RINGER OR A-LEAD CONTROL OPTIONS

| OPTION | | LEAD | | REMOVE FROM PSB TERM. | CONNECT TO PSB TERM. | REMARKS | |
|--------------------------------------|------------------------|---------------|-------|-----------------------|----------------------|-------------------------------|-------------------------|
| | | DESIG. | COLOR | | | | |
| Selective Ringing (Note 1) | Ring Party | Ringer | BK | 7 | 1 | Ring current from ring to Grd | |
| | Tip Party | Ringer | BK | 7 | 1 | Ring current from Tip to Grd | |
| | | Mtg Cord Jack | G | 7 | 6 | | |
| | | | R | 6 | 7 | | |
| Tip Party with Identification Ground | Ringer Leads | | BK | 7 | 1 | Ring current from Tip to Grd | |
| | | | S† | * | 6 | | |
| | | | S-R | * | * | | |
| | Mtg Cord Jack | | G | 7 | 5 | | |
| | | | R | 6 | 7 | | |
| | Spade Tip Leads on PSB | | BL | 6 | 10 | | |
| | | | BK | 11 | 9 | | |
| | | G | * | 11 | | | |
| A-Lead Control (Note 2) | Mtg Cord Jack | | Y | 1 | 5 | A1 | Leads must be dedicated |
| | | | BK | * | 9 | A | |
| | Shield | | BK | 1 | 5 | | |

Note 1: For 4-party full selective or 8-party semiselective, one of the following must be provided:

- (a) 426N diode. For connections, Refer to Section 501-320-100.
- (b) 11-type extender (MD) or 28A ringer isolator. These may also be used to extend the range of selective ringing and/or provide ringer isolation on all lines using grounded ringers. Refer to Section 501-322-101 for connection information using 11-type extender, or Section 501-375-101 for connection information using 28A isolator.

Note 2: No ringer option available (factory wired bridged ringer only) when A lead control option is used.

* Insulated and stored.

† Approximately 2600 ohm identification ground only.

TABLE D

CONNECTIONS FOR D-180812 KIT OF PARTS

| D-KIT SWITCH LEADS | | TERMINAL POSTS FOR SWITCH LEAD CONNECTORS | |
|-----------------------|-------------------|----------------------------------------------|-------------------------------------------------|
| DESIG. | COLOR (NOTE 1) | RECORD DISABLE ONLY | RECORD DISABLE AND DIAL INTERMIX (NOTE 2) |
| LND-LK | BK | * | 27-LNK-LK |
| VDD | R | 29-VDD | 29-VDD |
| RCD-LK | BK | 28 | 28-RCD-LK |

* Insulate and store.

Note 1: These are single pin connectors attached to the switch leads. There are 2 (BK) leads and 1 (R) lead. The (BK) leads are interchangeable.

Note 2: When this option is provided, the LAST NUMBER DIALED (LND) feature is disabled and the 16th memory may be used as any other memory.

TABLE E

**CONNECTIONS FOR D-180837 KIT OF PARTS
(2960A01M TELEPHONE SET)**

| FEATURE | APPARATUS | LEAD | | REMOVE FROM | CONNECT TO | COMMENTS |
|-----------------------------------------|-----------------------|--------|-------------|------------------------|----------------------------|------------------------------------------|
| | | DESIG | COLOR | | | |
| Record Disable Only | D-180837 Kit of Parts | GRD | Y | | PSB-1 | |
| | | Neg. | BR (Male) | | * | |
| | | Neg. | BR (Female) | | * | |
| | | VDD | R | | 29-VDD | These Terminal posts are on 960B Memory |
| | | RCD-LK | BK† | | 28-RCD-LK | |
| | | WDC | BK† | | * | |
| | | DP | G | | * | |
| Record Disable And Dial Intermix | D-180837 Kit of Parts | GRD | Y | | PSB-1 | |
| | | Neg. | BR (Male) | | * | |
| | | Neg. | BR (Female) | | * | |
| | | VDD | R | | 29-VDD | Thess Terminal posts are on 960B Memory |
| | | RCD-LK | BK† | | 28-RCD-LK | |
| | | WDC | BK† | | 27-LND-LK | |
| | | DP | G | | * | |
| Record Disable and Manual Dial Lock-Out | Tel Set | Neg. | BR | Position No. 2 Plug-J1 | Connector Housing of D-Kit | See Note |
| | D-180837 Kit of Parts | GRD | Y | | PSB-1 | |
| | | Neg. | BR (Male) | | Connector Housing of D-Kit | |
| | | Neg. | BR (Female) | | Position No. 2 Plug-J1 | |
| | | VDD | R | | 29-VDD | These Terminals posts are on 960B Memory |
| | | RCD-LK | BK† | | 28-RCD-LK | |
| | | WDC | BK† | | 27-LND-LK | |
| | DP | G | | * | | |
| DP | G | | * | | | |

* Insulate and store.

† (BK) leads are interchangeable.

Note: Connector J1 is the 12-position dial connector. Place pointed object or paper clip in slot No. 2 in the side of the connector housing and push gently to release spring latch while pulling on the (BR) lead.

TABLE F

CONNECTIONS – 2960A01M TELEPHONE SET WITH
3B (MD) SPEAKERPHONE SYSTEM

| APPARATUS | CORD OR WIRE | LEAD | | CONNECT | | |
|---------------------|----------------------|--------|-------|------------------|--------------------------|-----|
| | | | | FROM | TO | |
| | | DESIG. | COLOR | PSB TERM. | CONTROL UNIT (NOTE 2) | |
| | | | | 55A* (NOTE 1) | 55B | |
| 2960A01M Tel Set | D6AD-87 Cord | R1 | BL-W | 6 | 28 | 10 |
| | | T1 | W-BL | 7 | 19 | 1 |
| | | LK | G-W | 10 | 11 | 35 |
| | | A1 | O-W | 5 | 12 | 2 |
| | | AG | W-G | 9 | 5 | 11 |
| | | | W-O | * | * | * |
| 666B Trmtr | T7A Mtg. Cord | M1 | S-BK | | 4 | 7 |
| | | P1 | BL-R | | 13 | 8 |
| | | -15V | BK-S | | 14 | 16 |
| | | S | O-BK | | 3 | 18 |
| | | A1 | Y-O | | 29 | 19 |
| | | F1 | G-Y | | 2 | 17 |
| | | LK | BK-O | | 11 | 35 |
| 760A LSPK | R2FK-87 Mtg. Cord | SP1 | R | | 33† | 29† |
| | | SP2 | G | | 34 | 20 |
| 2012B Trnsf | D-Station Wire | AC1 | | | 27 | 27 |
| | | AC2 | | | 36 | 36 |

Notes:

1. 55A* control unit modified by Western Electric for use with TOUCH-TONE dial equipped telephone sets.
2. Strap terminals 20 and 22 (55A*) or 4 and 5 (55B). (See Fig. 17, for block diagram of interface.)

* Insulate and store.

† To reduce loudspeaker volume, move SP1 lead to terminal 24 (55A*) or 30 (55B).

TABLE G

CONNECTIONS – 2960A01M TELEPHONE SET
WITH 4A SPEAKERPHONE

| APPARATUS | CORDS (SEE NOTE) | LEAD | | CONNECT TO |
|---------------------|----------------------|--------|-------|---------------|
| | | DESIG. | COLOR | |
| 2960A01M Tel Set | M16H Cord | AC | R-G | * |
| | | AC | G-R | * |
| | | LK | O-W | PSB-10 |
| | | Spare | O-R | * |
| | | Spare | R-O | * |
| | | K5M | BR-W | * |
| | | IT | W-G | * |
| | | IR | G-W | * |
| | | T1 | W-BL | PSB-7 |
| | | R1 | BL-W | PSB-6 |
| | | K4C | S-W | * |
| | | K5C | W-S | * |
| | | K4B | BL-R | * |
| | | K5B | R-BL | * |
| | | AG | W-O | PSB-9 |
| A1 | W-BR | PSB-5 | | |
| 680-Type Trmtr | D8S-87 Mtg. Cord | | | |
| 108-Type LSPK | D20N-87 Mtg. Cord | | | |
| 85B1 Power Unit | M2FG Cord | AC | BK | 3 |
| | | AC | Y | 4 |

Note: All cords plug into 223D adapter. (See Fig. 18 for block diagram of interface.)

* Insulate and store

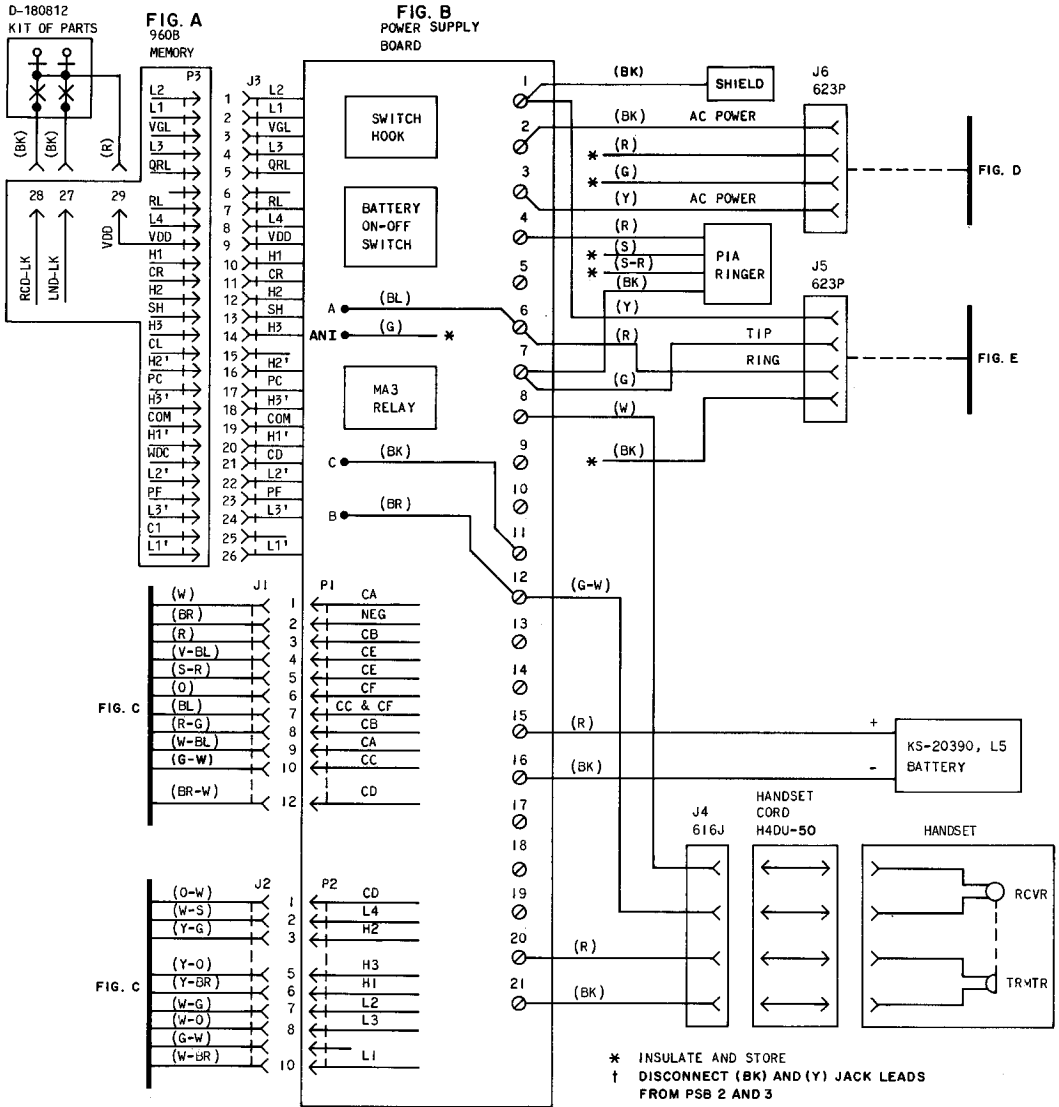


Fig. 15—2960A01M Telephone Set, Connections (Sheet 1 of 3)

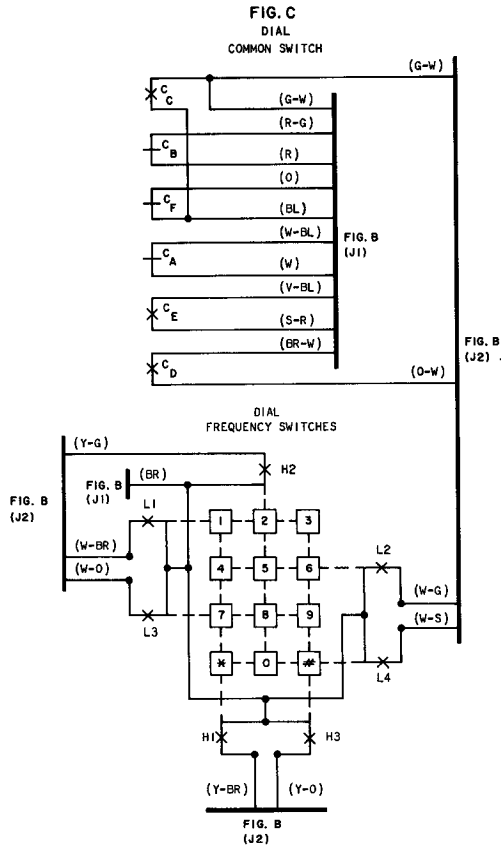


Fig. 15—2960A01M Telephone Set, Connections (Sheet 2 of 3)

FIG. D
POWER CONNECTIONS

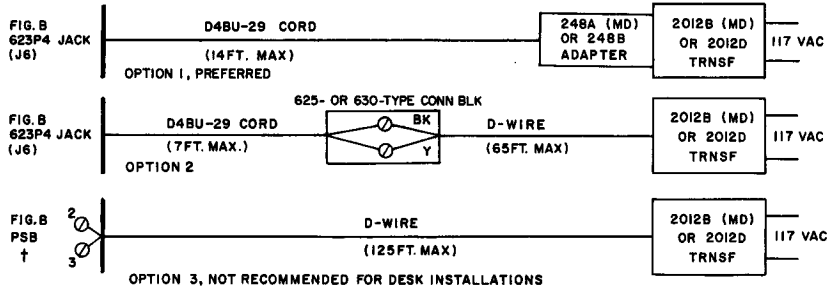


FIG. E
LINE CONNECTIONS

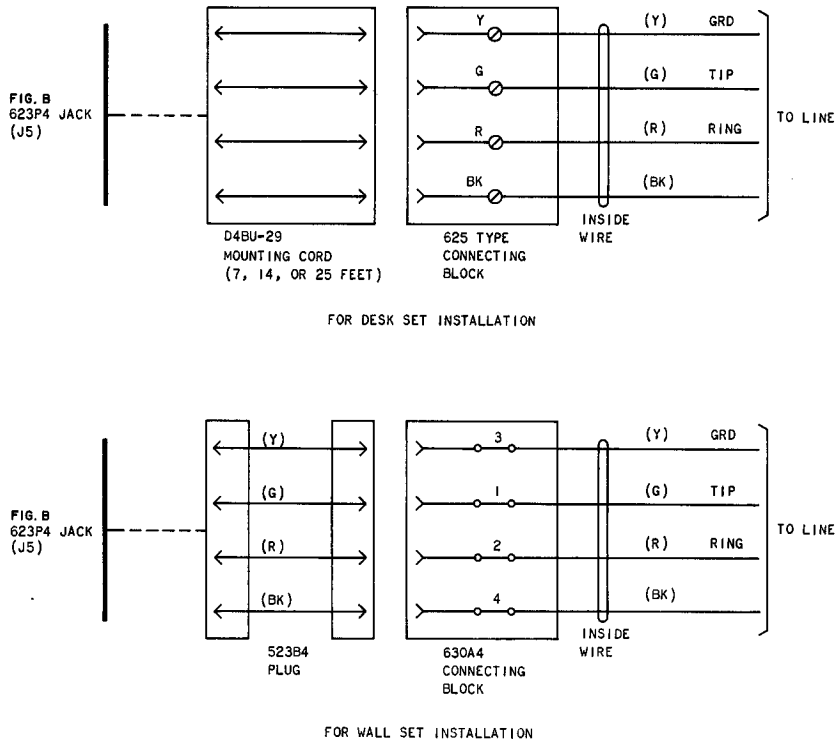
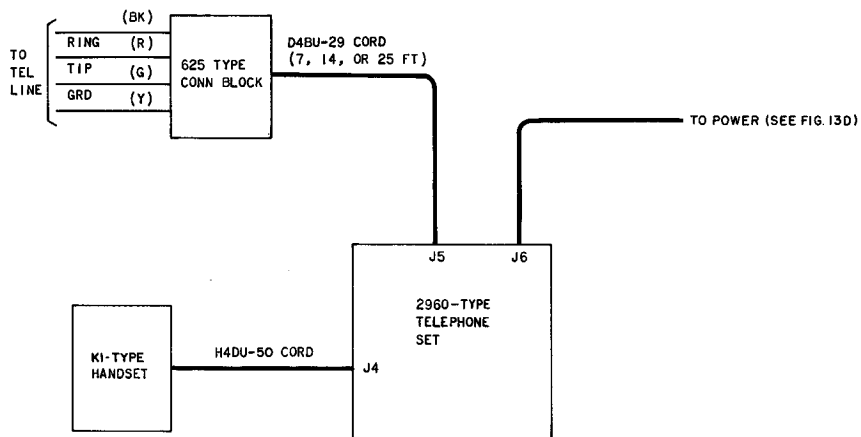
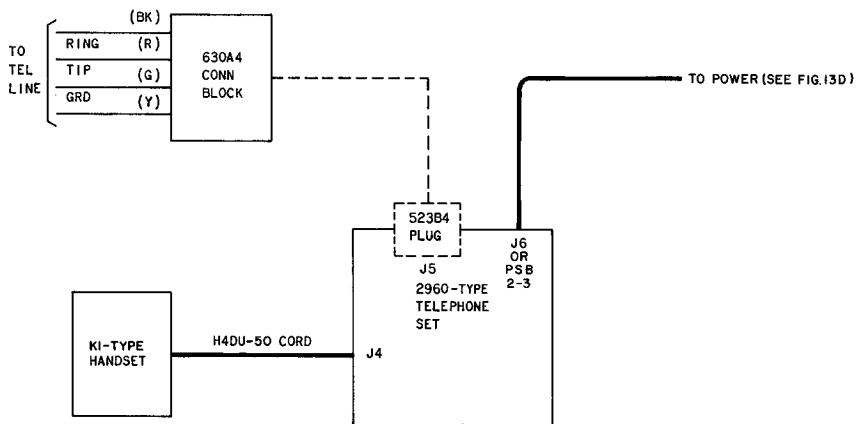


Fig. 15—2960A01M Telephone Set, Connections (Sheet 3 of 3)



A. DESK SET



B. WALL SET

Fig. 16—Block Diagram—2960A01M Telephone Set, Desk- and Wall-Type

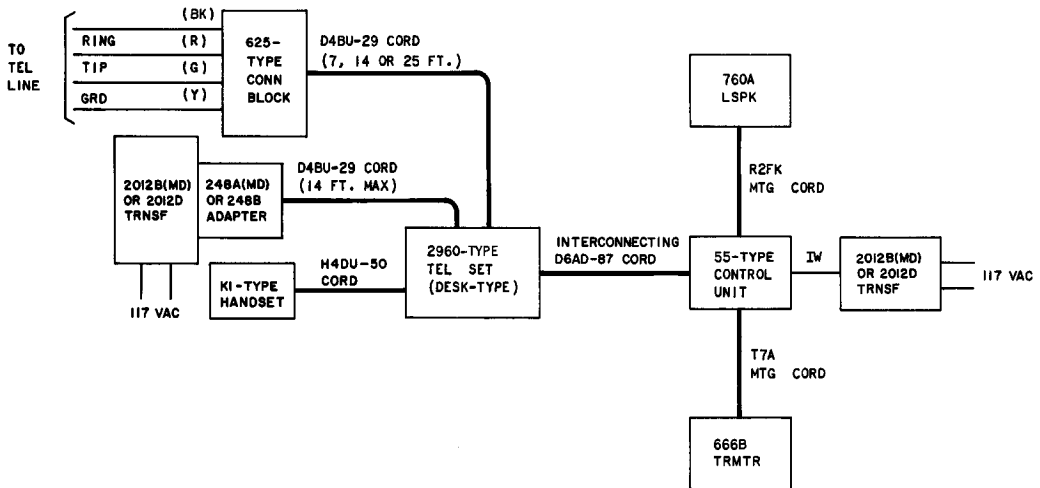


Fig. 17—Block Diagram—2960A01M Telephone Set With 3B (MD) Speakerphone

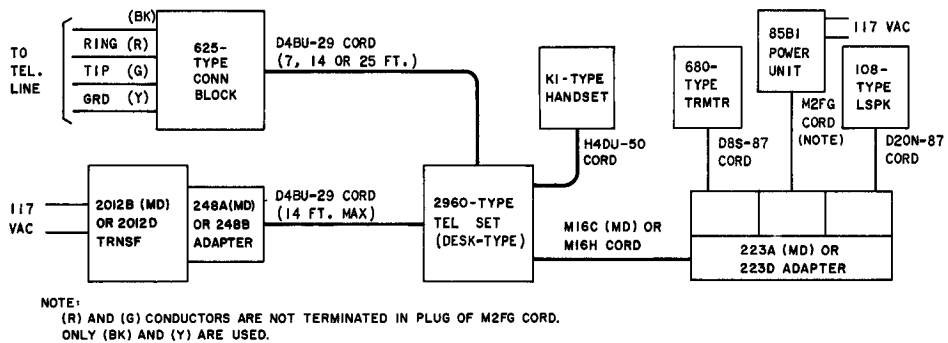


Fig. 18—Block Diagram—2960A01M Telephone Set With 4A Speakerphone

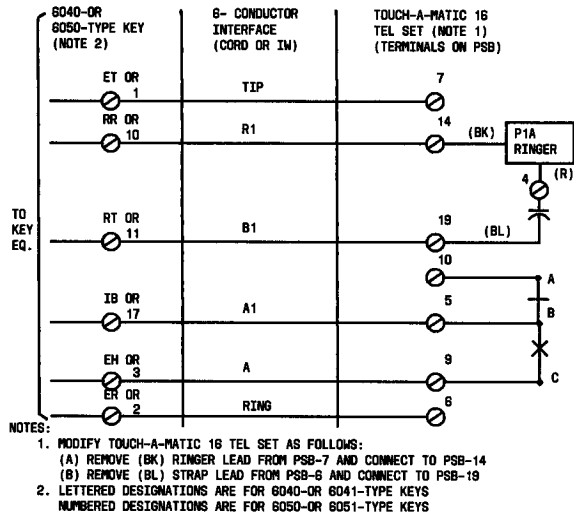


Fig. 19—Connections from Telephone Set to 6040/6050—Type Key

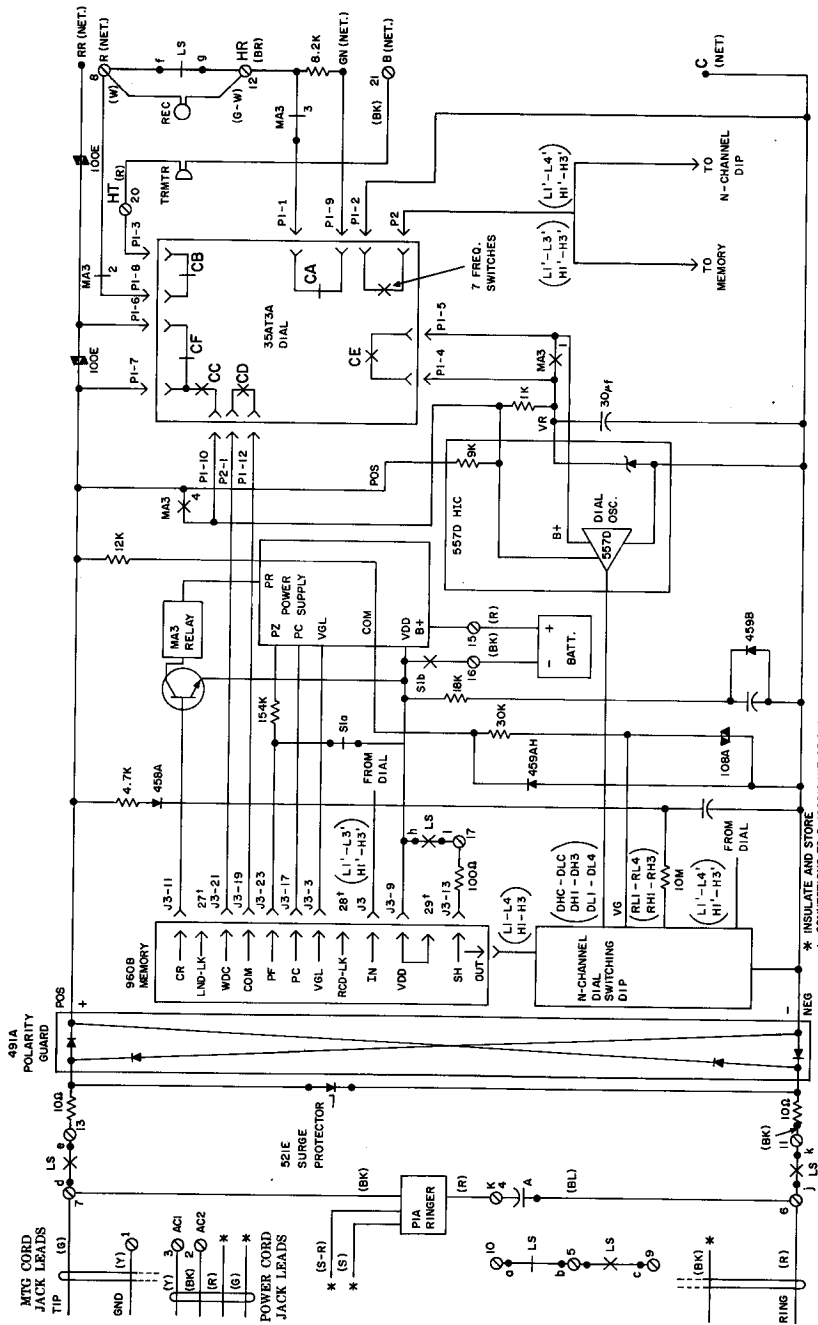


Fig. 20—2960A01M Telephone Set, Partial Functional Schematic

TABLE H

TROUBLE ANALYSIS – 2960A01M

| TROUBLE NUMBER | FAILURE | ADDITIONAL SYMPTOM | POSSIBLE CAUSE | REMEDIAL ACTION |
|----------------|------------------------------------|---------------------------------------------------------------------------------------------------------|-----------------------------------------------------------------------|------------------------------------------------------------------------|
| 1 | Dead set | RECORD lamp does not turn on when RECORD button is depressed | Mounting and power cords reversed in jacks | Plug cords into proper jacks |
| | | | D4BU-29 mounting cord improperly inserted at set or connecting block. | Check mounting cord insertion at set and connecting block. |
| | | | Bad connection between handset and telephone set | 1. Check handset cord connections 2. Check handset jack connections |
| | | | Defective handset | Replace handset |
| | | With strap lead between screw terminals 7 and 13 and/or 6 and 11 on PSB, dial tone is present | Defective line switch contacts | Replace telephone set |
| | | Unknown | Replace telephone set | |
| 2 | Cannot transmit when off-hook | | Bad connection | Check handset, handset cord, and handset jack connections |
| | | | Defective transmitter | Replace handset |
| | | Can transmit properly with a temporary strap lead between screw terminals 8 and 20 on PSB | Defective contacts on 35AT3A dial | Replace 35AT3A dial |
| | | | Unknown | Replace telephone set |
| 3 | Cannot receive when off-hook | | Bad connection | Check handset, handset cord, and handset jack connections |
| | | | Defective receiver | Replace handset |
| | | Can receive properly with temporary strap lead between screw terminals 12 and 21 on PSB | Defective contacts on 35AT3A dial | Replace 35AT3A dial |
| | | | Unknown | Replace telephone set |
| 4 | Cannot manually dial when off-hook | Clicking sounds or damped TOUCH-TONE signals heard when dial buttons are depressed. Cannot hang up set. | Bridged set off-hook | Place bridged set on-hook |
| | | | No audible TOUCH-TONE signal present | Dial connectors not properly inserted |
| | | | Defective dialing circuits on PSB | Replace telephone set |
| | | | Unknown | Replace telephone set |

TABLE H (Contd)

TROUBLE ANALYSIS – 2960A01M

| TROUBLE NUMBER | FAILURE | ADDITIONAL SYMPTOM | POSSIBLE CAUSE | REMEDIAL ACTION |
|----------------|---------------------------------------------------------------------------------------------|--------------------------------------------------------------------------------------------------------------------------------------------------------------------------------------|------------------------------------------------------------|-----------------------------------------------------------------------------------------------------------------|
| 5 | Cannot manually dial some digits when off-hook | | Open or loose leads to dial contacts | Check for proper insertion of leads into 10-position dial connector |
| | | | Defective frequency contacts on 35AT3A dial | Replace 35AT3A dial |
| | | | Defective dialing circuits on PSB | Replace telephone set |
| | | | Unknown | Replace telephone set |
| 6 | Cannot manually dial off-hook without ac power | Can manually dial off-hook with ac power on | Open path on PSB | Replace telephone set |
| 7 | RECORD lamp does not function properly | RECORD lamp does not turn on when RECORD button is depressed | Switch of D-180812 or D-180837 Kit of Parts in ON position | Change switch position to OFF |
| | | | AC power set present | Check for commercial power |
| | | | D4BU-29 power cord improperly inserted | Check cord insertion at set and at 248A or 248B adapter |
| | | | 2012B or 2012D transformer not plugged in or defective | Check or replace 2012B or 2012D transformer. (Should read 13.4 to 18 Vac across screw terminals 2 and 3 on PSB) |
| | | | RECORD OFF button stuck down | Clear stuck button |
| | | | Battery switch OFF | Place switch to ON |
| | | | Defective lamp or lamp driver circuit | Replace memory assembly |
| | | Unknown | Replace telephone set | |
| | | Lamp turns off when any memory button is depressed or Lamp does not momentarily turn off when a dial button is depressed | Defective Memory logic | Replace Memory assembly |
| | | | Unknown | Replace telephone set |
| 8 | Cannot record into Memory | RECORD lamp momentarily flashes when RECORD button is depressed | Stuck RECORD OFF button | Check RECORD OFF button |
| 9 | Cannot record properly into the 15 memory positions or into the LAST NUMBER DIALED position | Party is reached when number is recorded as it is manually dialed. However, when number is subsequently dialed from memory, part is not reached – wrong number is dialed from Memory | Incorrect dial contact sequence | Replace 35AT3A dial |
| | | | Defective Memory logic | Replace Memory assembly |
| | | | Open circuit on PSB | Replace telephone set |

TABLE H (Contd)

TROUBLE ANALYSIS – 2960A01M

| TROUBLE NUMBER | FAILURE | ADDITIONAL SYMPTOM | POSSIBLE CAUSE | REMEDIAL ACTION |
|-------------------------------------------------------------|----------------------------------------------|----------------------------------------------------------------------------------------------------------------------------|-------------------------------------------|-------------------------------------------------------|
| 10 | Cannot dial properly from Memory | | Did not record properly | 1. Record per 5.01 2. See trouble No. 7 |
| | | MA3 relay does not operate (no clicking sound heard) when memory button is depressed. No audible TOUCH-TONE signal present | Defective Memory logic | Replace Memory assembly |
| | | | Open circuit in power path | Replace telephone set |
| | | Defective line switch h-i contacts | | |
| | | MA3 relay operates (clicking sound heard) but holds for less than 0.1 second for a 15 digit number | Incorrect dial sequence | Replace 35AT3A dial |
| | | No audible TOUCH-TONE signal present | | |
| | | Audible gap in train of digits being dialed. | | |
| | | No digits or random digits in memory | An ac power outage for 16 hours or longer | Reestablish ac power and rerecord numbers into Memory |
| | | | | |
| | | | Defective power supply circuit | Replace telephone set |
| No digits or all the same digits in random memory locations | Defective Memory | Replace Memory assembly | | |
| 11 | All memory dialing functions are inoperative | RECORD lamp is on | RECORD ON button stuck down | Clear stuck button |
| | | Can manually dial off-hook with ac power on or off | RECORD OFF or Memory button stuck down | Clear stuck button |
| | | | Battery switch off | Place switch to ON |
| | | | Defective Memory logic | Replace Memory assembly |
| | | | Unknown | Replace telephone set |

TABLE H (Contd)

TROUBLE ANALYSIS – 2960A01M

| TROUBLE NUMBER | FAILURE | ADDITIONAL SYMPTOM | POSSIBLE CAUSE | REMEDIAL ACTION |
|----------------|----------------------------------------------------------------------------------------------------|------------------------------------------------------------|-----------------------------------------------------------------------|--------------------------------------------------------------------------------------------------------------------------------------------------------|
| 12 | Ringer does not operate | Operated with adjust level in HIGH position | Marginal operation with adjust lever in LOW position | Replace lever position |
| | | | Ringer lower limit stop screw removed | Replace lower limit stop screw in ringer |
| | | Does not operate with adjust level in HIGH position | Open ringer leads | Check ringer lead connections |
| | | | Defective ringer | Replace ringer |
| 13 | Noisy Line | Hum on line when set is off-hook | One side of ac power to set is grounded | 1. Check connections to PSB terminals 2 and 3 2. If IW is used to run power from 2012B or 2012D to PSB terminals 2 and 3, check for unwanted ground |
| | | | Defective power supply circuit | Replace telephone set |
| | | | Unknown | Replace telephone set |
| 14 | Reach wrong numbers when dialing from Memory locations (Numbers are not the same as were recorded) | Number can be rerecorded and dialing from Memory is proper | Improperly connected or defective (BK) lead from shield | Check lead and connection. (Lead must be connected to GRD.) Replace shield |
| | | | Improperly connected or defective (Y) lead from mounting cord jack J5 | Check lead and connections — Must be connected to Grd Replace jack J5 |
| | | | Defective D4BU mounting cord | Replace cord |
| | | | (Y) lead at connecting block not connected to earth ground | Check connections and insure that (Y) lead is dedicated as earth ground |

5001T01A "TOUCH-A-MATIC®" S SERIES TELEPHONE SET

IDENTIFICATION, INSTALLATION, CONNECTIONS, OPERATION, AND MAINTENANCE

1. GENERAL

1.01 This section contains information on the TOUCH-A-MATIC S Series, 12-button, desk type telephone set (Fig. 1 and 2).

1.02 Whenever this section is reissued, the reason(s) for reissue will be listed in this paragraph.

1.03 This telephone set can only be used on individual or single line TOUCH-TONE® service.

Note: This set is not designed for speakerphone, loudspeaker, A lead control, or party line service.

1.04 This set is available in colors listed in Table A. The only faceplate color available for the automatic dialer is silver (-122).

2. IDENTIFICATION

2.01 The 5001T01A desk telephone set has a 12-button automatic dialing feature. The two top name and digit buttons are illuminated by red and green light emitting diodes (LEDs). The set also contains a TOUCH-TONE dial, tone ringer, and M1A handset.

2.02 Design Features:

- Modular unit
- Solid state circuit memory and network
- Automatic dialing of up to 12 preprogrammed telephone numbers
- Will store up to 16 digits per number
- Capability to record, change, or delete numbers in memory

- Single button dialing and directory space for names and telephone numbers
- Two illuminated buttons to highlight important telephone numbers
- M1A handset
- Electronic tone ringer
- Internal S1 sounder unit which provides tones for automatic dialing, indicating proper recording procedures, and for checking battery
- Battery powered repertory dialer
- Telephone number recording with handset on or off hook. Off-hook recording does not interfere with conversation.
- RECORD ON/OFF button protected during normal usage by faceplate to prevent inadvertent erasure of stored numbers
- Built in polarity guard.

2.03 Operating Features:



This set is not compatible with all network facilities due to limited available loop current, and may not function properly in all cases. When these sets are connected to these facilities, such as analog loop carrier systems (SLC-1 type, SLC-8 type) and long loops (over 1300 ohms), the sets may not dial from the manual dial keypad. When this incompatibility is encountered, the customer should be directed to exchange the set for another product.

- 12-button memory field with low force, short travel nonlocking buttons

NOTICE

Not for use or disclosure outside the Bell System except under written agreement

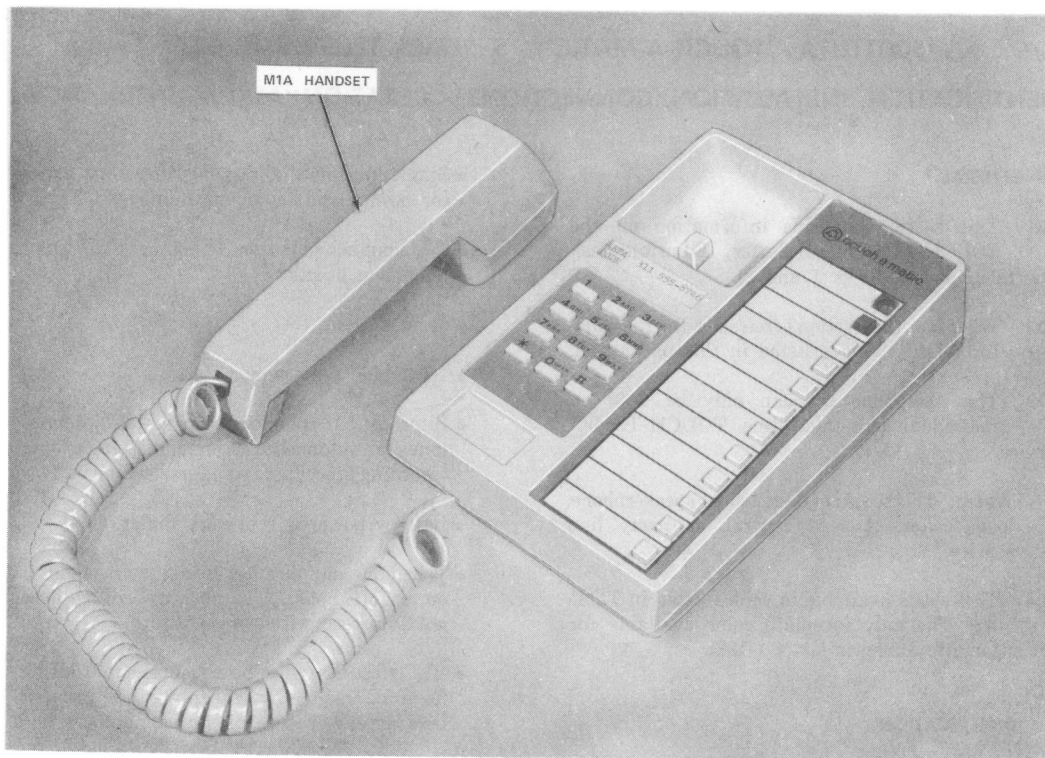


Fig. 1—5001T01A Telephone Set

- TOUCH-TONE dialing with short travel buttons
- RECORD ON/OFF button (under faceplate) when momentarily depressed places dialer in the record mode, subsequent operation terminates the record mode
- Approximately 1 to 1-1/2 minute automatic timeout if left idle in the record mode
- Approximately 10 second light time out on the red and green LED illuminated automatic dial buttons.
- Normal telephone usage with either the automatic dialer or manual TOUCH-TONE dial

- Tone ringer with slide adjustment for volume control.
- No provisions have been made in this set design to provide for ringer cutoff.

2.04 Ordering Guide.

- (a) The 5001T01A is a modular type telephone set and may be ordered as follows:
- Set, Telephone, 5001T01A-* (includes the following):
 - Faceplate, 1200A1-122
 - Battery, KS-21618L2 (9-volt)
 - Handset, M1A-*
 - 841386352 Directory Marker (color dots)

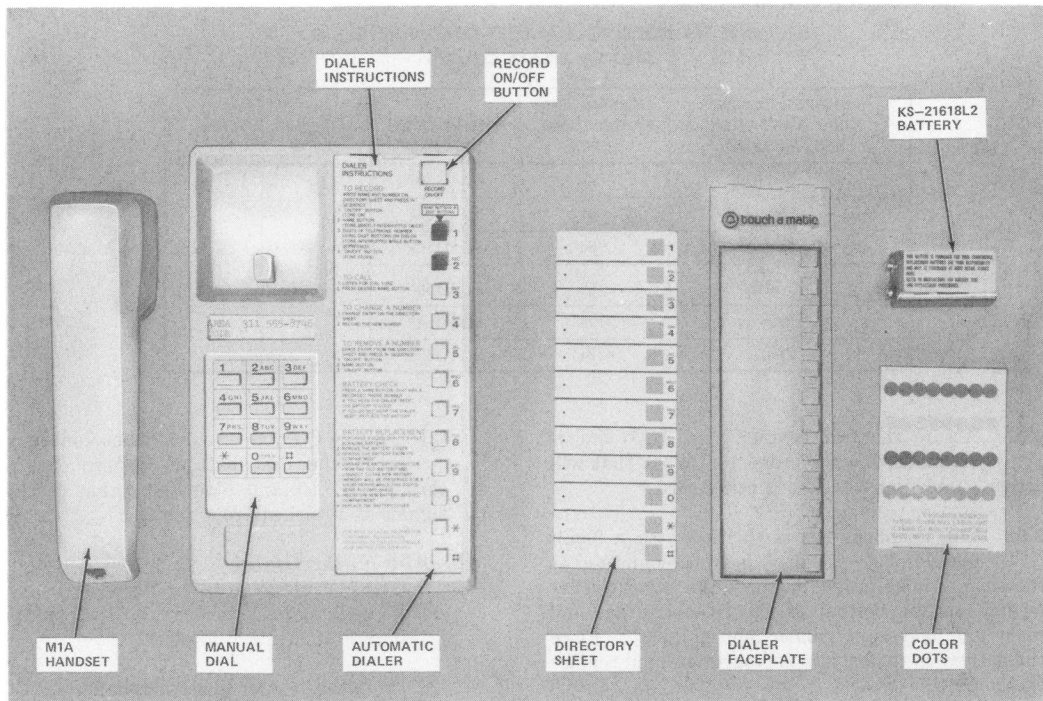


Fig. 2—5001T01A Telephone Set With Handset, Dialer Faceplate, Directory Sheet, and Battery, Removed

841396559 Directory Sheet (double-sided)

Customer Instruction Booklet, CIB-2506.

(b) **Ordered Separately:**

● Cord, Mounting, D4BU-29

● Cord, Handset, H4DU-*

(c) **Replacement Components:**

● Alkaline Battery, 9-volt (customer replacement only)

● Handset, M1A-*

● Cord, Mounting, D4BU-29

● Cord, Handset, H4DU-*

● Faceplate, 1200A1-122

● 841408289 Card Retainer

● 841408255 Number Card

● 841396559 Directory Sheet (double sided)

● Battery cover*.

* Add color suffix or comcode number from Table A.

3. **INSTALLATION AND CONNECTIONS**

Note: Inside wire need not be connected to the ground terminal at the protector or equivalent.

TABLE A

**TELEPHONE SET HOUSING, HANDSET CORD, BATTERY COVER,
AND FACEPLATE COLORS**

| HOUSING, HANDSET CORD, AND BATTERY COVER COLOR | HOUSING AND HANDSET CORD, SUFFIX | BATTERY COVER NUMBERS | FACEPLATE COLOR | SUFFIX |
|------------------------------------------------|----------------------------------|-----------------------|-----------------|--------|
| Ivory | -50 | 841411507 | Silver | -122 |
| Green | -51 | 841411515 | | |
| Yellow | -56 | 841411523 | | |
| White | -58 | 841411531 | | |
| Brown | -104 | 841411549 | | |
| Rust | -124 | 841411556 | | |

3.01 Assure that the central office (CO) line is terminated into a connecting block that will accept a modular D4BU mounting cord.

3.02 The telephone set is shipped with a 9-volt alkaline battery which is to be connected at the time of installation. Remove the battery cover located on the bottom of the telephone set and make the necessary connections (Fig. 3). Place the battery in the battery compartment and replace the cover.

Note: The battery should last approximately one year under normal telephone usage. All subsequent batteries are to be provided and installed by the customer. If the set is disconnected, remove and discard the battery.

3.03 Plug one end of the mounting cord (D4BU) into the modular jack in the rear of the set and the other end into the 625-type modular connecting block. Connect the handset cord to the set (Fig. 3).

3.04 Installation Test.

(a) **Telephone Set.**

- (1) Dial the appropriate code for ring-back to test the telephone set tone ringer. Move the ringer volume control lever (Fig. 3) on the bottom of the set to check variation of volume. There is no provision for ringer cut off using the volume control.

- (2) Call the CO dial test line, when connected press the dial buttons in sequence 1 through 9, *, 0, and # verifying that correct signals is returned from the CO.

(b) **Automatic Dialer.**

- (1) Record digits 1 through 9, *, 0, and # into first memory location.
- (2) From the telephone set manually dial CO "dial test circuit."
- (3) When test line is connected, depress the first memory button and verify that correct signal is returned from the CO.
- (4) Repeat Steps (1), (2), and (3) for memory buttons two through twelve.

4. OPERATION

4.01 The memory location buttons are used for the following functions:

- To select memory locations
- To be used as specific digits when recording or changing telephone numbers
- To automatically dial prerecorded telephone number.

A. To Place A Number Into Memory

4.02 Perform the following operations in sequence.

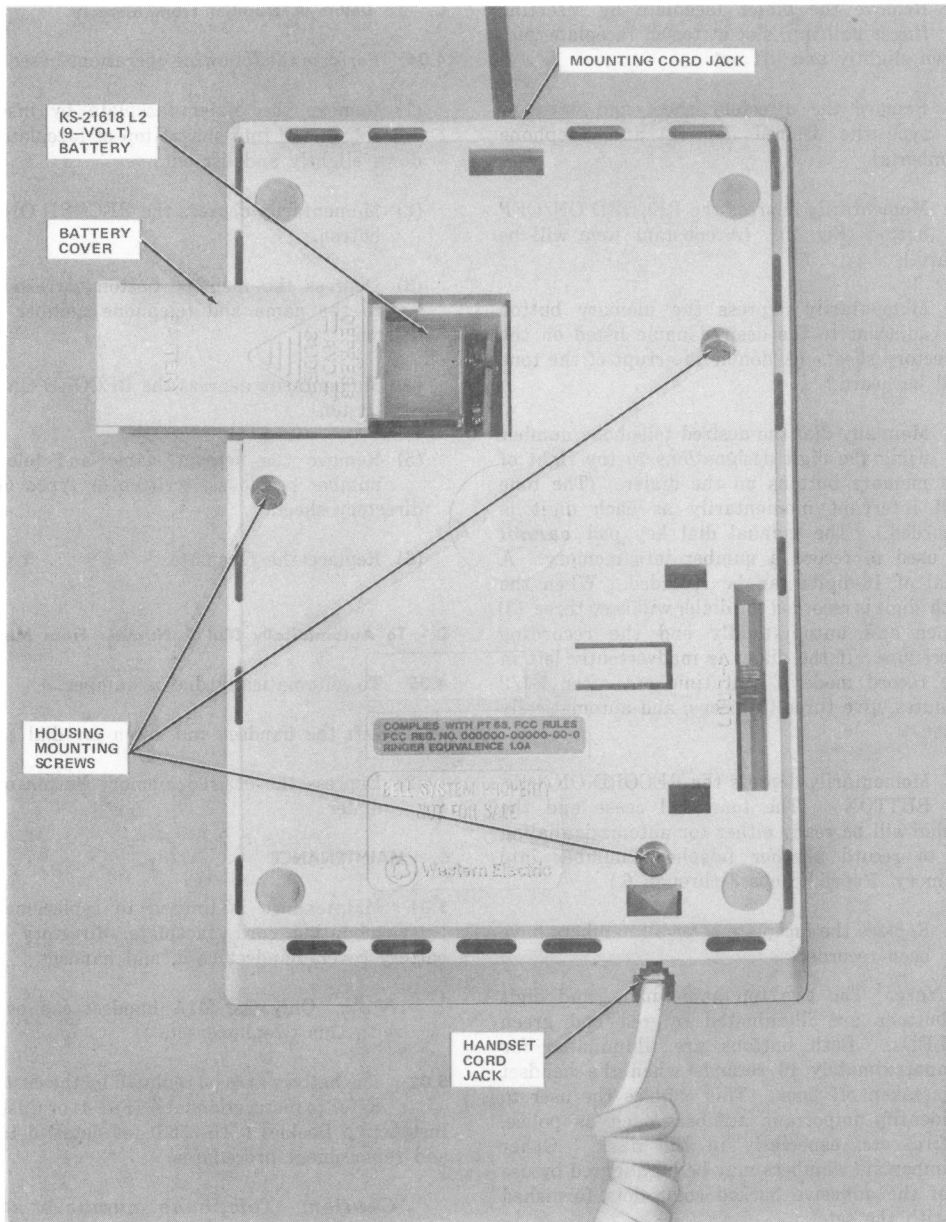


Fig. 3—5001T01A Telephone Set, Bottom View

- (1) Remove the dialer faceplate by inserting finger nail into slot at top of faceplate, pull down slightly and lift out.
- (2) Remove the directory sheet and write or type the desired name(s) and telephone number(s).
- (3) Momentarily depress the RECORD ON/OFF button (Fig. 2). (A constant tone will be heard.)
- (4) Momentarily depress the memory button adjacent to the desired name listed on the directory sheet. (A double interrupt of the tone will be heard.)
- (5) Manually dial the desired telephone number using the digit designations to the right of the memory buttons on the dialer. (The tone will interrupt momentarily as each digit is recorded.) The manual dial key pad **cannot** be used to record a number into memory. A total of 16-digits can be recorded. When the 16th digit is recorded the dialer will beep three (3) times and automatically end the recording procedure. If the dialer is inadvertently left in the record mode it will time out after 1-1/2 minutes, give three (3) beeps, and automatically reset.
- (6) Momentarily depress the RECORD ON/OFF BUTTON. (The tone will cease and the dialer will be ready either for automatic dialing or to record another telephone number into memory. Repeat Steps 3 through 6.)
- (7) Replace the faceplate after all numbers have been recorded.

Note: The two top name and digit buttons are illuminated by red and green LEDs. Both buttons are illuminated for approximately 10 seconds when the handset is taken off hook. This enables the user to identify important numbers such as police, fire, etc. especially in the dark. Other important numbers may be highlighted by use of the adhesive backed color dots furnished with the set.

B. To Change A Number In Memory

- 4.03 When a new number is recorded in a previously used memory position it will automatically replace the previously stored number.

C. To Delete A Number From Memory

- 4.04 Perform the following operations in sequence.

- (1) Remove the dialer faceplate by inserting finger nail into slot at top of faceplate, pull down slightly and lift out.
- (2) Momentarily depress the RECORD ON/OFF button.
- (3) Depress the memory button corresponding to the name and telephone number to be deleted.
- (4) Momentarily depress the RECORD ON/OFF button.
- (5) Remove the persons name and telephone number previously written or typed on the directory sheet.
- (6) Replace the faceplate.

D. To Automatically Dial A Number From Memory

- 4.05 To automatically dial a number.

- (1) Lift the handset and listen for dial tone.
- (2) Depress the desired memory button on the dialer.

5. MAINTENANCE

- 5.01 Maintenance is limited to replacement of mounting cord, faceplate, directory sheet, battery cover, handset cord, and handset.

Note: Only the M1A handset can be used with this telephone set.

- 5.02 The battery is to be replaced by the customer. Refer to instruction label (Fig. 4) or Customer Instruction Booklet (CIB-2506) for detailed testing and replacement procedures.

Caution: Telephone numbers stored in memory may be erased if battery is disconnected for longer than 1 minute during replacement.

- 5.03 If a weak or dead battery is suspected, inform the customer a new battery is required.

DIALER INSTRUCTIONS

TO RECORD
WRITE NAME AND NUMBER ON DIRECTORY SHEET AND PRESS IN SEQUENCE

1. "ON/OFF" BUTTON (TONE ON)
2. NAME BUTTON (TONE BRIEFLY INTERRUPTED TWICE)
3. DIGITS OF TELEPHONE NUMBER USING DIGIT BUTTONS ON DIALER (TONE INTERRUPTED WHILE BUTTON DEPRESSED)
4. "ON/OFF" BUTTON (TONE STOPS)

TO CALL

1. LISTEN FOR DIAL TONE
2. PRESS DESIRED NAME BUTTON

TO CHANGE A NUMBER

1. CHANGE ENTRY ON THE DIRECTORY SHEET
2. RECORD THE NEW NUMBER

TO REMOVE A NUMBER
ERASE ENTRY FROM THE DIRECTORY SHEET AND PRESS IN SEQUENCE

1. "ON/OFF" BUTTON
2. NAME BUTTON
3. "ON/OFF" BUTTON

BATTERY CHECK
PRESS A NAME BUTTON THAT HAS A RECORDED PHONE NUMBER.
IF YOU HEAR THE DIALER "BEEP" THE BATTERY IS GOOD.
IF YOU DO NOT HEAR THE DIALER "BEEP", REPLACE THE BATTERY

BATTERY REPLACEMENT

1. PURCHASE A GOOD QUALITY 9-VOLT ALKALINE BATTERY
2. REMOVE THE BATTERY COVER
3. REMOVE THE BATTERY FROM ITS COMPARTMENT
4. UNSNAP THE BATTERY CONNECTOR FROM THE OLD BATTERY AND CONNECT TO THE NEW BATTERY (MEMORY WILL BE PRESERVED FOR A SHORT PERIOD WHILE THIS STEP IS BEING ACCOMPLISHED)
5. INSERT THE NEW BATTERY INTO ITS COMPARTMENT
6. REPLACE THE BATTERY COVER

FOR MORE DETAILED INFORMATION CONCERNING INSTALLATION, OPERATION OR TROUBLE CONSULT YOUR INSTRUCTION BOOKLET

RECORD ON/OFF

1

ABC 2

DEF 3

GHI 4

JKL 5

MNO 6

PRS 7

TUV 8

WXY 9

0

*

#

RECORD ON/OFF BUTTON

NAME AND DIGIT BUTTONS

Fig. 4—Instruction Label

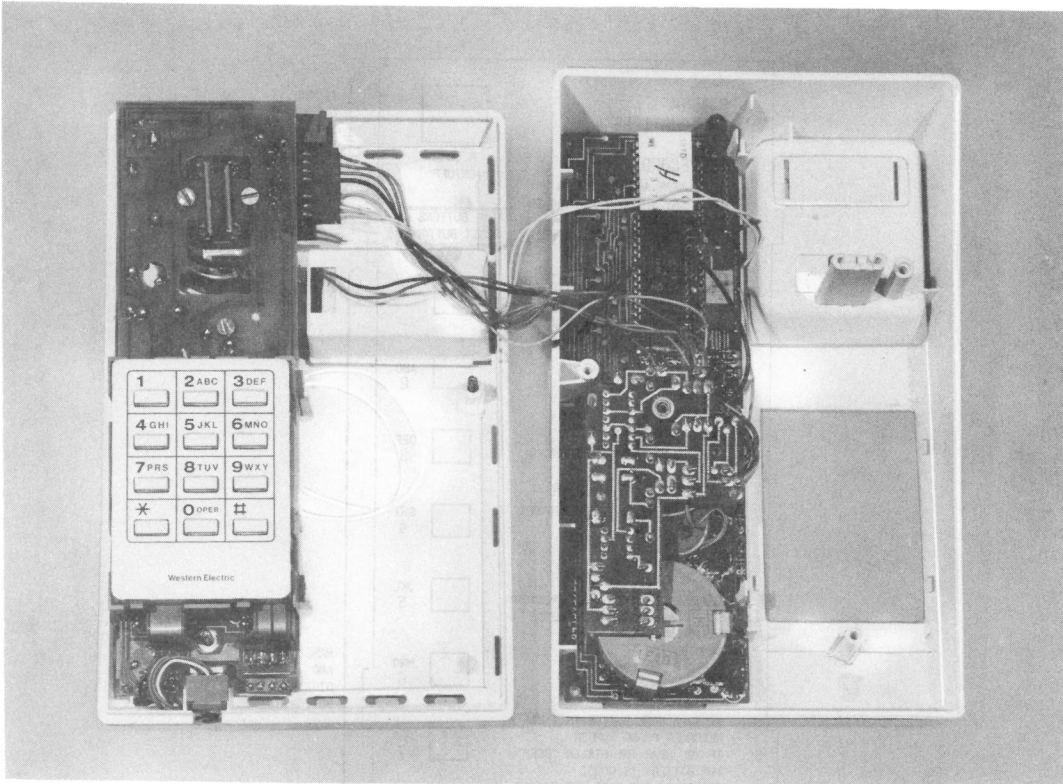


Fig. 5—5001T01A Telephone Set With Upper Housing Removed

5011T01A "TOUCH-A-MATIC®" S SERIES TELEPHONE SET

IDENTIFICATION, INSTALLATION, CONNECTIONS, OPERATION, AND MAINTENANCE

1. GENERAL

1.01 This section contains information on the TOUCH-A-MATIC S series 12-button, wall type telephone set (Fig. 1 and 2).

1.02 Whenever this section is reissued, the reason(s) for reissue will be listed in this paragraph.

1.03 This telephone set can only be used on individual or single line TOUCH-TONE® service.

Note: This set is not designed for speakerphone, loudspeaker, A lead control, or party line service.

1.04 The set is available in the colors listed Table A. The only faceplate color available for the automatic dialer is silver (-122).

2. IDENTIFICATION

2.01 The 5011T01A wall telephone set has a 12-button automatic dialing feature. The two top name and digit buttons are illuminated by red and green light emitting diodes (LEDs). The set also contains a TOUCH-TONE dial, tone ringer, and a M1A handset.

2.02 Design Features:

- Modular unit
- Solid state circuit memory and network
- Automatic dialing of up to 12 preprogrammed telephone numbers
- Will store up to 16 digits per number

- Capability to record, change, or delete numbers in memory
- Single button dialing and directory space for names and telephone numbers
- Two illuminated buttons to highlight important telephone numbers
- M1A handset
- Electronic tone ringer
- Internal S1 sounder unit which provides tones for automatic dialing, indicating proper recording procedures, and for checking the battery
- Battery powered repertory dialer
- Telephone number recording with handset on- or off-hook. Off-hook recording does not interfere with conversation
- RECORD ON/OFF button protected during normal usage by faceplate to prevent inadvertent erasure of stored numbers
- Built in polarity guard.

2.03 Operating Features:



This set is not compatible with all facilities due to limited available loop current, and may not function properly in all cases. When these sets are connected to these facilities, such as analog loop carrier systems (SLC-1 type, SLC-8 type) and long loops (over 1300 ohms), the sets may not dial from the manual

NOTICE

Not for use or disclosure outside the Bell System except under written agreement



Fig. 1—5011T01A Telephone Set

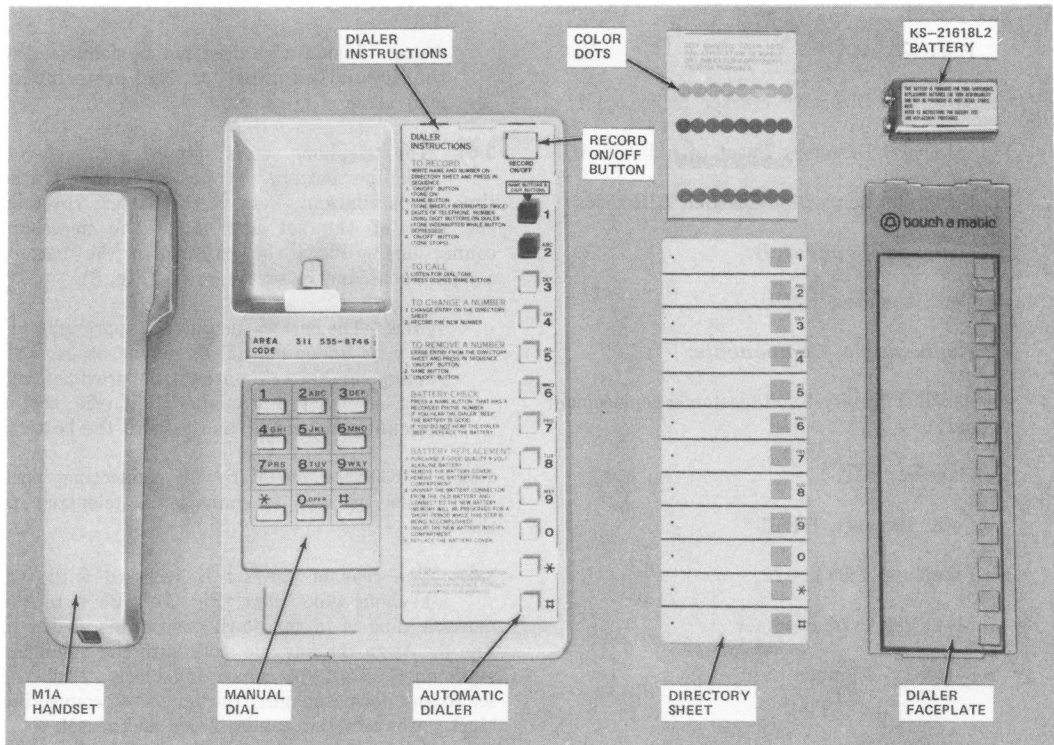


Fig. 2—5011T01A Telephone Set With Handset, Dialer Faceplate, Directory Sheet, and Battery Removed

dial keypad. When this incompatibility is encountered, the customer should be directed to exchange the set for another product.

- 12-button memory field with low force, short travel nonlocking buttons
- TOUCH-TONE dialing (with short travel buttons)
- RECORD ON/OFF button, when momentarily depressed places dialer in the record mode, subsequent operation terminates the recording mode
- Approximately 1 to 1-1/2 minutes automatic time out if left idle in the record mode

- Approximately 10 second light time out on the red and green LED illuminated buttons
- Normal telephone usage with either the automatic dialer or manual TOUCH-TONE dial
- Tone ringer with slide adjustment for volume control
- No provisions have been made in this set design to provide for ringer cutoff.

2.04 Ordering Guide:

- (a) The 5011T01A is a modular type telephone set and may be ordered as follows:
 - Set, Telephone, 5011T01A-* (includes the following):
 - Faceplate, 1200A1-122

- Battery, KS-21618L2 (9-volt)
- Handset, M1A-*
- 841386352 Directory Marker (color dots)
- 841396559 Directory Sheet (double-sided)
- Customer Instruction Booklet, CIB-2506.

(b) **Ordered Separately:**

- Cord, Handset, H4DU.

(c) **Replaceable Components:**

- Alkaline Battery, 9 volt (customer replacement only)
- Handset, M1A-*
- Cord, Handset, H4DU-*
- Faceplate, 1200A1-122
- 841408289 Card Retainer
- 841408255 Number Card
- 841396559 Directory Sheet (double-sided)
- Battery cover*.

* Add color suffix or comcode number from Table A.

3. INSTALLATION AND CONNECTIONS

Note: Inside wire need not be connected to the ground terminal at the protector or equivalent.

3.01 The telephone set is shipped with a 9-volt alkaline battery, to be connected at the time of installation. Remove the battery cover on the rear of the set and make the necessary connections. Place the battery in the battery compartment and close the cover (Fig. 3).

Note: The battery should last approximately one year under normal telephone usage. All subsequent batteries are to be provided and installed by the customer. If the set is disconnected, remove and discard the battery.

3.02 A 630-type modular wall connecting block must be used to connect the telephone to the wall.

3.03 The rear of the set is recessed with two keyhole type slots (Fig. 3). Be sure the movable plug is in the down position as shown in Fig. 3. Align the keyhole slots with the mounting studs on the 630-type connecting block. Push the set in and down engaging the set to the connecting block. Connect the handset cord to the set.

3.04 Installation Test:

(a) **Telephone Set.**

- (1) Dial the appropriate code for ring-back to test the telephone set tone ringer.

TABLE A

TELEPHONE SET HOUSING, HANDSET CORD, BATTERY COVER, AND FACEPLATE COLORS

| HOUSING, HANDSET CORD, AND BATTERY COVER COLOR | HOUSING AND HANDSET CORD, SUFFIX | BATTERY COVER NUMBERS | FACEPLATE COLOR | SUFFIX |
|------------------------------------------------|----------------------------------|-----------------------|-----------------|--------|
| Ivory | -50 | 841411507 | Silver | -122 |
| Green | -51 | 841411515 | | |
| Yellow | -56 | 841411523 | | |
| White | -58 | 841411531 | | |
| Brown | -104 | 841411549 | | |
| Rust | -124 | 841411556 | | |

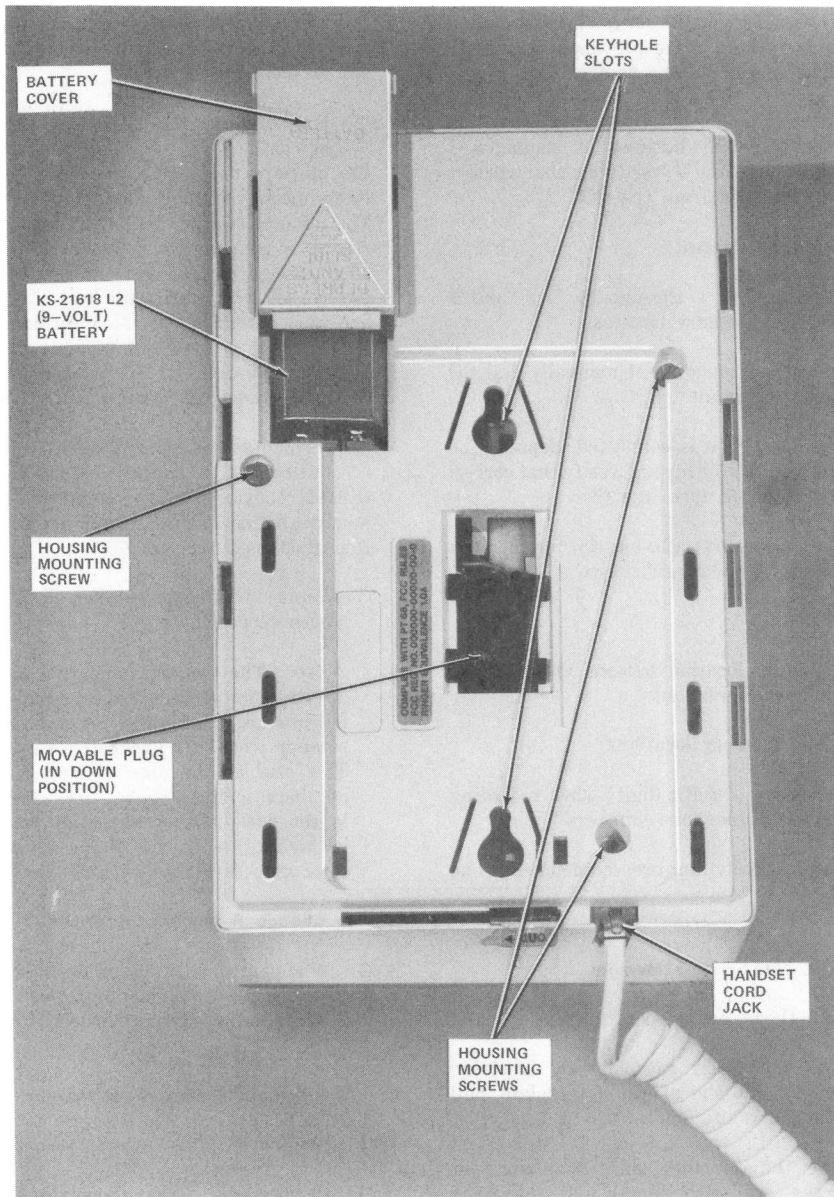


Fig. 3—5011T01A Telephone Set, Bottom View

Move the ringer volume control lever (Fig. 5) on the lower edge of the set to check variation of volume. There is no provision for ringer cut off using the volume control.

- (2) Call the CO dial test line, when connected press the dial buttons in sequence 1 through 9, *, 0, and # verifying that correct signal is returned from the CO.

(b) **Automatic Dialer.**

- (1) Record digits 1 through 9, *, 0, and # into first memory location.
- (2) From the telephone set manually dial CO "dial test circuit."
- (3) When test line is connected, depress the first memory button and verify that correct signal is returned from the CO.
- (4) Repeat Steps (1), (2), and (3) for memory buttons two through twelve.

4. OPERATION

4.01 The memory location buttons are used for the following functions:

- To select memory locations
- To be used as specific digits when recording or changing telephone numbers
- To automatically dial prerecorded telephone number.

A. To Place A Number Into Memory

4.02 Perform the following operations in sequence.

- (1) Remove the dialer faceplate by inserting finger nail into slot at top of faceplate, pull down slightly and lift out.
- (2) Remove the directory sheet and write or type the desired name(s) and telephone number(s).
- (3) Momentarily depress the RECORD ON/OFF button (Fig. 2). (A constant tone will be heard.)

(4) Momentarily depress the memory button adjacent to the desired name listed on the directory sheet. (A double interrupt of the tone will be heard.)

(5) Manually dial the desired telephone number using the digit designations to the right of the memory buttons on dialer. (The tone will interrupt momentarily as each digit is recorded.) The manual dial key pad **CANNOT** be used to record a number into memory. A total of 16-digits can be recorded. When the 16th digit is recorded, the dialer will beep three (3) times and automatically end the recording procedure. If the dialer is inadvertently left in the record mode it will time out after 1-1/2 minutes, give three (3) beeps, and automatically reset.

(6) Momentarily depress the RECORD ON/OFF button. (The tone will cease and the dialer will be ready either for automatic dialing or to record another telephone number into memory. Repeat steps 3 through 6.)

(7) Replace the faceplate after all numbers have been recorded.

Note: The two top name and digit buttons are illuminated by red and green LEDs. Both buttons are illuminated for approximately 10 seconds when the handset is taken off hook. This enables the user to identify important numbers such as police, fire, etc. especially in the dark. Other important numbers may be highlighted by use of the adhesive backed color dots furnished with the set.

B. To Change A Number In Memory

4.03 When a new number is recorded in a previously used memory position it will automatically replace the previously stored number.

C. To Delete A Number From Memory

4.04 Perform the following operations in sequence.

- (1) Remove the dialer faceplate by inserting finger nail into slot at top of faceplate, pull down slightly and lift out.
- (2) Momentarily depress the RECORD ON/OFF button.

- (3) Depress the memory button corresponding to the name and telephone number to be deleted.
- (4) Momentarily depress the RECORD ON/OFF button.
- (5) Remove the persons name and telephone number previously written or typed on the directory sheet.
- (6) Replace the faceplate.

D. To Automatically Dial A Number From Memory

4.05 To automatically dial a number.

- (1) Lift the handset and listen for dial tone.
- (2) Depress the desired memory button on the dialer.

5. MAINTENANCE

5.01 Maintenance is limited to replacement of, faceplate, directory sheet, battery cover, handset cord, and handset.

Note: Only the M1A handset can be used with this telephone set.

5.02 The battery is to be replaced by the customer. Refer to instruction label (Fig. 4) or Customer Instruction Booklet (CIB-2506) for detailed testing and replacement procedures.

Caution: Telephone numbers stored in memory may be erased if battery is disconnected for longer than one (1) minute during replacement.

5.03 If a weak or dead battery is suspected, inform the customer a new battery is required.

DIALER INSTRUCTIONS

TO RECORD
WRITE NAME AND NUMBER ON DIRECTORY SHEET AND PRESS IN SEQUENCE

1. "ON/OFF" BUTTON (TONE ON)
2. NAME BUTTON (TONE BRIEFLY INTERRUPTED TWICE)
3. DIGITS OF TELEPHONE NUMBER USING DIGIT BUTTONS ON DIALER (TONE INTERRUPTED WHILE BUTTON DEPRESSED)
4. "ON/OFF" BUTTON (TONE STOPS)

TO CALL

1. LISTEN FOR DIAL TONE
2. PRESS DESIRED NAME BUTTON

TO CHANGE A NUMBER

1. CHANGE ENTRY ON THE DIRECTORY SHEET
2. RECORD THE NEW NUMBER

TO REMOVE A NUMBER
ERASE ENTRY FROM THE DIRECTORY SHEET AND PRESS IN SEQUENCE

1. "ON/OFF" BUTTON
2. NAME BUTTON
3. "ON/OFF" BUTTON

BATTERY CHECK
PRESS A NAME BUTTON THAT HAS A RECORDED PHONE NUMBER. IF YOU HEAR THE DIALER "BEEP" THE BATTERY IS GOOD. IF YOU DO NOT HEAR THE DIALER "BEEP", REPLACE THE BATTERY

BATTERY REPLACEMENT

1. PURCHASE A GOOD QUALITY 9-VOLT ALKALINE BATTERY
2. REMOVE THE BATTERY COVER
3. REMOVE THE BATTERY FROM ITS COMPARTMENT
4. UNSNAP THE BATTERY CONNECTOR FROM THE OLD BATTERY AND CONNECT TO THE NEW BATTERY (MEMORY WILL BE PRESERVED FOR A SHORT PERIOD WHILE THIS STEP IS BEING ACCOMPLISHED)
5. INSERT THE NEW BATTERY INTO ITS COMPARTMENT
6. REPLACE THE BATTERY COVER

FOR MORE DETAILED INFORMATION CONCERNING INSTALLATION, OPERATION OR TROUBLE CONSULT YOUR INSTRUCTION BOOKLET

RECORD ON/OFF

NAME BUTTONS & DIGIT BUTTONS

1

ABC 2

DEF 3

GHI 4

JKL 5

MNO 6

PRS 7

TUV 8

WXY 9

0

*

#

RECORD ON/OFF BUTTON

NAME AND DIGIT BUTTONS

Fig. 4—Instruction Label

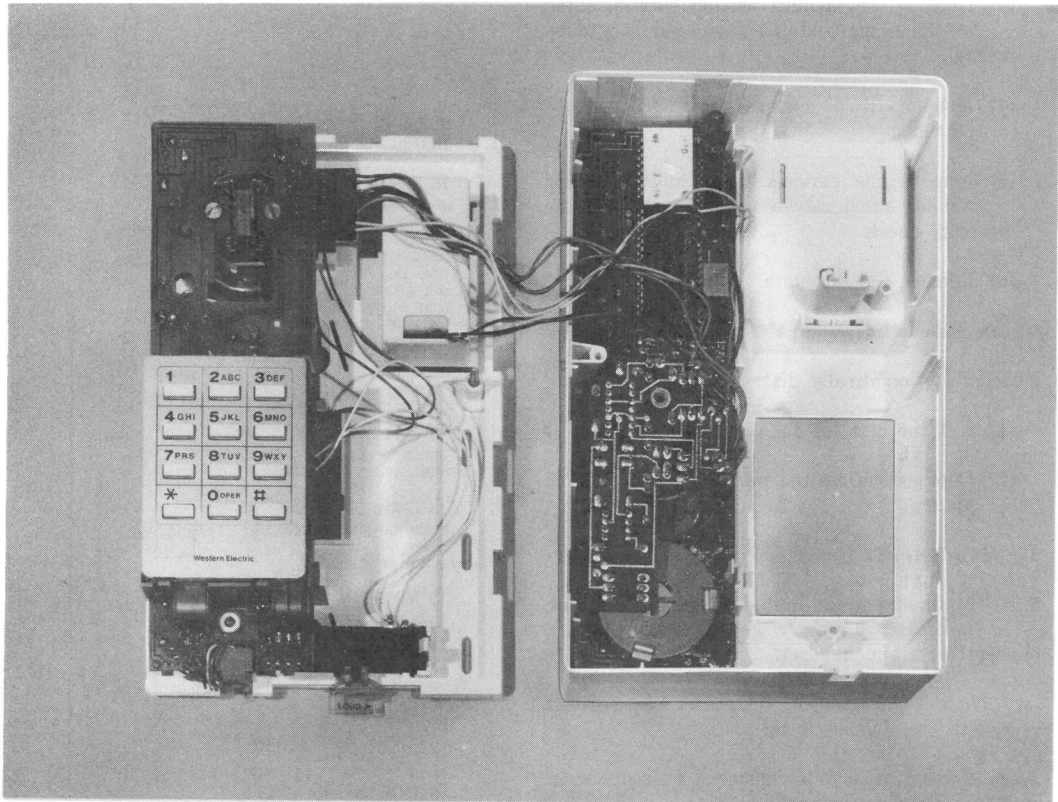


Fig. 5—5011T01A Telephone Set With Upper Housing Removed

**2872A1M OR 2872A2M "TOUCH-A-MATIC®" TELEPHONE SET
IDENTIFICATION, INSTALLATION, CONNECTIONS,
OPERATION, AND MAINTENANCE**

| CONTENTS | PAGE | CONTENTS | PAGE |
|--------------------------------------------------------------------------------------------|------|---------------------------------------------------------|------|
| 1. GENERAL | 2 | A. Location of Components | 13 |
| 2. IDENTIFICATION | 3 | B. Mounting Cord | 14 |
| A. Design Features | 3 | C. Network Terminals | 15 |
| B. Optional Features | 3 | D. Power Supply (PSB) Terminals | 15 |
| C. Ordering Guide | 4 | E. Line Key Removal | 18 |
| D. Operating Features | 6 | F. Faceplate Removal | 18 |
| 3. INSTALLATION | 7 | G. Handset Cradle Removal | 18 |
| STANDARD INSTALLATION | 7 | H. Housing Removal | 18 |
| Installation Check Procedure | 8 | 4. CONNECTIONS | 19 |
| OPTIONAL APPARATUS INSTALLATION | 10 | 5. OPERATION | 19 |
| A. D-180492 Kit of Parts (With Speakerphone) | 10 | A. Record A Number Into Memory | 19 |
| B. D-180493 Kit of Parts (Dial Tone Detector and One-Touch Calling Switch) | 10 | B. Change A Number In Memory | 20 |
| C. D-180494 Kit of Parts (2/4-Wire Service) | 11 | C. Delete A Number From Memory | 20 |
| D. D-180818 Kit of Parts (Record Disable and Dial Intermix Features) | 11 | D. Automatically Dial A Number From Memory | 20 |
| E. Single Line Service | 13 | E. LAST NUMBER DIALED Feature | 20 |
| F. Head Telephone Set | 13 | F. End-to-End Signaling | 21 |
| COMPONENT LOCATION AND ACCESS INFORMATION | 13 | 6. MAINTENANCE | 21 |
| | | A. Trouble Analysis | 21 |
| | | B. Battery | 22 |
| | | C. Memory | 22 |

NOTICE

Not for use or disclosure outside the
Bell System except under written agreement

| CONTENTS | PAGE |
|--------------------------------|------|
| D. Dial | 22 |
| E. 6-Button Line Key | 22 |
| F. Ringer | 23 |
| G. Buzzer | 23 |
| H. Handset Jack | 23 |
| I. Handset | 24 |
| J. Faceplate | 24 |
| K. Speakerphone | 25 |

1.02 This section is reissued to:

- Revise Table A
- Add Fig. 6
- Add safety information for the 95B1 power unit
- Add 533K diode for dial restriction
- Add 2012D transformer
- Show 2012B transformer MD
- Show 3B speakerphone MD

1. GENERAL

1.01 This section contains information on the 2872A1M (MD) or 2872A2M (TOUCH-TONE® Dial) TOUCH-A-MATIC telephone set (Fig. 1).

1.03 The 2872A1M (MD) or 2872A2M telephone set is factory-wired for use with 1A1, 1A2, or 6A key telephone systems (KTS). They may be converted (Table J) for use with 1A KTS.



Fig. 1—2872A1M (MD) or 2872A2M Telephone Set

1.04 The telephone sets are available in the following colors:

- Black (-03)
- Green (-51)
- White (-58)
- Lt. Beige (-60).

1.05 The 2872A1 (MD) faceplate is available in satin-silver (-87) color only.

1.06 The 2872B1 decorative faceplates are available in the following colors:

- Teak Woodgrain (-108)
- Walnut Woodgrain (-109)
- Matte Aluminum (-122).

2. IDENTIFICATION

2.01 The 2872A1M or 2872A2M telephone set provides all standard features of a 6-button key telephone set plus (manual) TOUCH-TONE dialing, automatic dialing of 31 frequently called numbers, and a LAST NUMBER DIALED *scratch pad* memory.

2.02 The 2872A2M telephone set differs from the 2872A1M set only in the battery circuit. The 2872A2M set has a battery interlock circuit that prevents the set from dialing automatically if the battery is not plugged in. Also, the 2872A2M telephone set utilizes a newly coded battery (KS-20390L4) which can not be used in the 2872A1M set.

A. Design Features

2.03 *Design Features:*

- Modular key telephone set
- Integrated circuit RC TOUCH-TONE oscillator
- Integrated circuit memory
- Surge protector

- Polarity guard (removable for dry circuit application)
- Common audible ringing
- Buzzer
- Busy lamp diode
- Line pickup buttons convertible to nonlocking signal buttons
- Memory buttons from which to select preprogrammed telephone numbers for automatic dialing
- Capability to record and automatically dial 31 telephone numbers of up to 15 digits each
- Last number manually dialed memory
- Plug-in battery
- Capability to pause for subsequent dial tones during automatic dialing (WAIT input)
- End-to-end signaling for data application.

B. Optional Features

2.04 *Optional Features (Refer to Table A):*

- Speakerphone—either 3B (MD) or 4A speakerphone systems may be added to stations
- Dial Tone Detector—automatically starts dialer when precise TOUCH-TONE dial tone (350 Hz and 440 Hz) is present.
- One-Touch Calling, (requires both dial tone detector and speakerphone)—depressing one memory button will automatically turn on speakerphone, detect dial tone, and dial complete number.

Note: All dial tones encountered in the process of placing a call must be precise TOUCH-TONE dial tone if the call is to be completed automatically.

- D-180818 Kit of Parts provides the following features.

Note: Telephone set must be equipped with 2870B memory.

- (a) Record Disable—turns off recording feature to prevent accidental erasures of previously stored numbers. No recording possible except for last number dialed memory which will store digits manually dialed from the telephone set.
- (b) Record Disable and Dial Intermix Feature—digits dialed manually from the telephone set dial and digits dialed automatically from memory may be intermixed without depressing RECORD OFF button. Memories cannot be altered and LAST NUMBER DIALED feature is inoperative.¶
- Station Busy Lamp (busy lamp diode wired in set)
- 2/4-Wire Service
- Add-On-Conference
- Exclusion (multiline)
- "T" Hold
- Signaling
- Bridged Ringing
- Restricted Dialing
- Amplifying Handset
- Decorative Faceplate
- Head telephone set operation using jackset.

2.05 All options are implemented by:

- Wiring changes in the telephone set
- Installation of appropriate additional items.

C. Ordering Guide

2.06 Ordering Guide:

- (a) The 2872A2M telephone set is a modular type telephone set and may be ordered complete and ready to install as:

- Set, Telephone, 2872A2M-*

- (b) **Ordered Separately.**

- Unit, Power, 95B1 (required for operation of the automatic dialing feature).

Note: One power unit is required for each telephone set.

- Decorative Faceplate, 2872B1-108 (Teak Woodgrain) or 2872B1-109 (Walnut Woodgrain).

- (c) The 2872A2M set is comprised of the following component parts:

- Housing, Lower, 870A1-*
- Housing, Upper, 870A1U-* (used only with 2872B1 faceplate)
- Faceplate, 2872B1-122 (matte aluminum)
- Handset, G15A-*
- Cord, Handset, H4DU-*
- Base, Telephone Set, 2872A2M (includes the following):
 - Dial, 35AG3A
 - Key, 635BT5
 - 812365039 (P-23F503) Collar
 - Ringer, P1B
 - Network, 425K (MD) or 4228-type
 - Buzzer, KS-20419L1
 - Cord, Mounting, D50BB-87

*Add appropriate color suffix (paragraph 1.04).

◆ TABLE A ◆

OPTIONS

| OPTION | | ADDITIONAL ITEMS REQUIRED | CONNECTION PER | |
|--------------------------------------|---------|------------------------------------|----------------|---------|
| | | | FIGURE | TABLE |
| Speakerphone* | 4 A | 108AA Loudspeaker | 12 | D, E |
| | | 680AE Transmitter | 12 | D, E |
| | | 82B Connecting Block | 12 | D, E |
| | | 85B1 Power Unit | 12 | D, E |
| | | D-180492 Kit of Parts | 9(C) | D, E |
| | 3B (MD) | 760A (MD) Loudspeaker | 11 | B, C |
| | | 666B (MD) Transmitter | 11 | B, C |
| | | 55-Type (MD) Control Unit | 11 | B, C |
| | | 2012D Transformer | 11 | B, C |
| | | 149B Adapter | | B, C |
| | | D-180492 Kit of Parts | 9(C) | D, E |
| One-Touch Calling | | D-180492 Kit of Parts | 9(D, E) | C, E |
| | | Speakerphone | 9(B) | |
| Dial Tone Detector | | D-180493 Kit of Parts | 9(D) | C, E, F |
| Station Busy Lamp | | | 10 | |
| "I" Hold | | | 10 | |
| Signaling | | | | H |
| Exclusion (Multiline) | | | 10 | |
| Add-On-Conference | | | 10 | |
| Amplifying Handset | | G6BM, G7BM, or G8BM Handset | 9(H) | |
| 2/4 Wire Service* | | D-180494 Kit of Parts | 13 | G |
| Dry Circuit (without Polarity Guard) | | | 9(B) | |
| 1A Key Service | | | | J |
| Restricted Dialing | | 533K Diode, Capacitor (>. 5MF) | 14 | |
| Bridged Ringing | | | | L, M |
| Record Disable | | D-180818 Kit of Parts (See Note 1) | | K |
| Dial Intermix | | | | |

◆ TABLE A (Contd) ◆

OPTIONS

| OPTION | ADDITIONAL ITEMS REQUIRED | CONNECTION PER | |
|------------------------------|--------------------------------------------------|------------------------------------------|-------|
| | | FIGURE | TABLE |
| Decorative Faceplate | 2872B1-108 (Teak Woodgrain)† | | |
| | 2872B1-109 (Walnut Woodgrain)† | | |
| Head Telephone Set Operation | Plantronics Jackset Model JS0180-1A or JS0180-2A | Tables provided with Plantronics Jackset | |
| | Desired Head Telephone Set ‡ | | |

Note 1. If set is equipped with the 2870A memory, replace with a 2870B memory.

Note 2. Set must be equipped with 4228-type network.

* D-kits for 2/4-wire service and speakerphone are designed to mount in the same place in the set. If both services are to be provided simultaneously, consult your Telco engineer.

† An 870A1U- upper housing may be required (paragraph 6.11).

‡ The KS-19796, KS-20778, 52-, 53-, and 60-type headsets are registered with the Jackset Models.

Battery, KS-20390L2 [may be used in either 2872A1M (MD) or 2872A2M sets]

Battery, KS-20390L4 (2872A2M sets only)

Jack, Handset, 616B

Memory, 2870B

840393581 Power Supply Printed Wiring Board (PSB) Assembly [2872AM (MD) base]

841382658 Power Supply Printed Wiring Board (PSB) Assembly (2872A2M base)

840393672 Directory Sheet Set

Booklet, Instruction, Subscriber, SIB-2455B

(d) **Optional Apparatus (order as required):**

- Kit of Parts, D-180492 (must be used for speakerphone service)
- Kit of Parts, D-180493 (Dial Tone Detector and One-Touch Calling switch)
- Kit of Parts, D-180494 (for conversion to 4-wire service)

- Kit of Parts, D-180818 (Record Disable and Dial Intermix)

Note: This kit of parts may be used only with sets equipped with a 2870B memory

- Faceplate, 2872B1-†

Note: If set is equipped with 2872A1-87 faceplate, then an upper housing (870A1U-*) of the appropriate color must also be ordered.

- Handset, Amplifier (G6BM, G7BM, and G8BM)

- Set, Head Telephone [using Plantronics Jackset Model JS0180-1A (1-1/2 foot cord) or JS0180-2A (6 foot cord)].

D. Operating Features

2.07 Operating Features (Fig. 2):

- Dial (TOUCH-TONE dial).

*Add appropriate color suffix (paragraph 1.04).

†Add appropriate color suffix (paragraph 1.06).

- Line key (635BT5), 6-button key. Hold with five line pickup buttons which are convertible to nonlocking. An additional momentary contact (logic reset switch) is attached to the Hold side of the key to reset the logic circuit anytime a key button is depressed.
- 32-button array of low force, low travel nonlocking memory buttons arranged in three columns. Left and right columns have eleven buttons, center column has ten buttons.
- LAST NUMBER DIALED button located in lower right corner of memory array, when momentarily depressed, automatically redials the last number manually dialed.
- RECORD button (nonlocking), when momentarily depressed, lights the RECORD lamp and enables the memory circuits to store telephone numbers.
- RECORD OFF button (nonlocking), when momentarily depressed extinguishes the RECORD lamp, indicating that the dialer is switched out of the record mode.
- WAIT button (nonlocking), when momentarily depressed during recording operation, enters a code into memory to initiate a halt in the automatic dialing sequence [used where access digit(s) required].

3. INSTALLATION

STANDARD INSTALLATION

3.01 Make all wiring changes and telephone set modifications (Table A) before external connections are made to the set (paragraph 4.01).

Warning: *Do not plug in either battery or power unit until all connections and modifications are completed. Take extreme care not to damage the exposed components, circuit, etc. when the set is opened.*

3.02 The set is shipped from the factory with the battery disconnected. After all wiring changes and modifications have been completed, connect the battery (Fig. 7) by tilting the set up, and inserting the battery plug into the mating jack.

Note: Write date of installation on label provided on battery.

3.03 Install the 95B1 power unit within 150 feet (24 gauge conductors) of the telephone set and plug into an ac outlet not controlled by a switch (continuous ac power is required). A retaining clamp (841050818) will be shipped with the 95B-type power unit and should be mounted to the ac receptacle to hold power unit securely and prevent accidental loss of power. The power unit may be located at the equipment end of the cable or run directly into the telephone set by conductors separate from the mounting cord and connected to PSB terminals 30 and 31. Refer to applicable tables and Fig. 8 for particular type of installation. When separate power conductors are used, disconnect, insulate, and store the (BL-V) and (V-BL) mounting cord leads from PSB terminals 30 and 31.

Danger: *Securely attach retaining clamp to ac outlet using outlet cover screw BEFORE attempting to install 95B1 power unit. ⚡The power unit and any other cord plugged into the ac outlet should always be unplugged completely⚡ from the outlet BEFORE attempting to attach or remove the retaining clamp. This will prevent the possibility of a loosened retainer clamp or metallic outlet cover making contact with the ac prongs of the power unit when partially withdrawn from outlet. Do not use retaining clamps on outlets where the cover mounting screw holds the duplex outlet in the box.*

⚡Warning: *Care should be taken to trim and dress leads connecting to low voltage output terminals of 95B1 power unit to assure that inadvertent connection to conducting surfaces or other power source does not occur. If more than one power unit is plugged into a multiple receptacle power strip, there must be at least one inch separation between power units. Only UL listed receptacle power strips with adequate power rating shall be used. Use of a continuous terminal power strip that allows the secondary output terminals of the power unit to be in close*

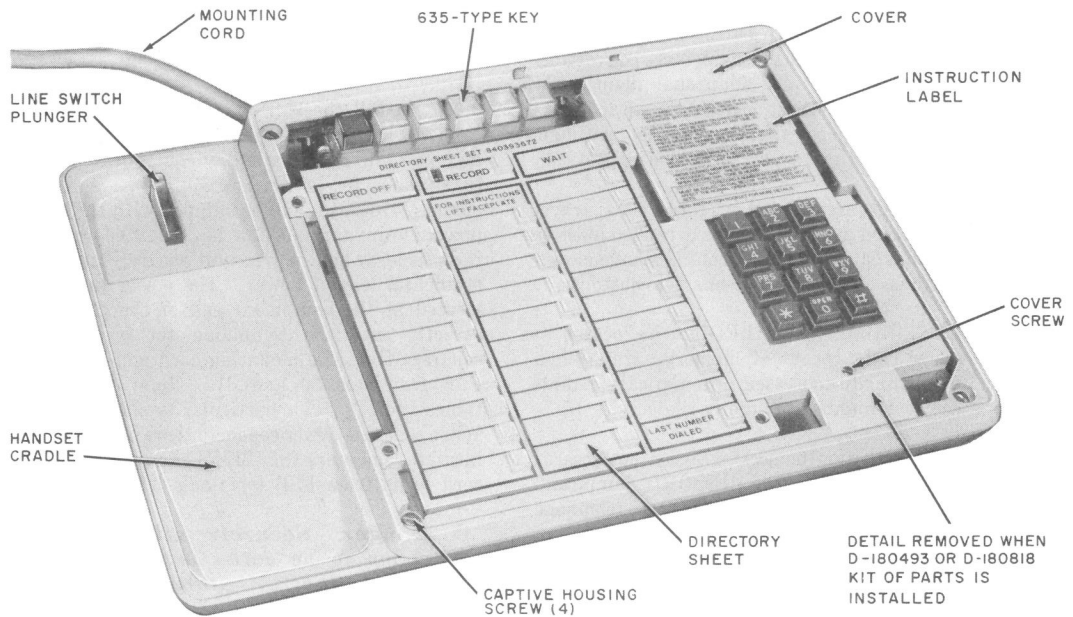


Fig. 2—2872A2M Telephone Set—Faceplate and Handset Removed

proximity to the ac line source is not recommended.

Note: The 95B1 power unit must be located no closer than 1-1/2 feet from the telephone set in order to prevent a noise problem.

3.04 The station number card retainer 812558039 (P-25E803) snaps into the faceplate below the dial.

3.05 The directory sheets (Fig. 2) fit over the buttons of the memory and are held in place by the faceplate. Additional sheets are available in the directory sheet set, 840393672.

3.06 To designate the buttons of the 635-type 6-button key.

- (1) Use Form 5837 tabs.
- (2) Squeeze the sides of the key button caps gently and remove.
- (3) Insert the tabs.

(4) Replace the caps so that small bumps on side of caps fit into small holes on sides of buttons.

Installation Check Procedure

3.07 Check telephone set installation per the following tests (refer to Part 5 for operation). In case of failure, refer to Trouble Analysis, Table N.

- (1) Disconnect the power unit and manually dial a known telephone number to check that the telephone operates correctly in the absence of commercial power.
- (2) Reconnect the power unit to ac outlet.
- (3) With handset on-hook, record digits 1 through 0 into consecutive memory locations, storing one digit per memory. Fill all memory locations except LAST NUMBER DIALED and location immediately above it [paragraph 5.01 (4) through (7)].

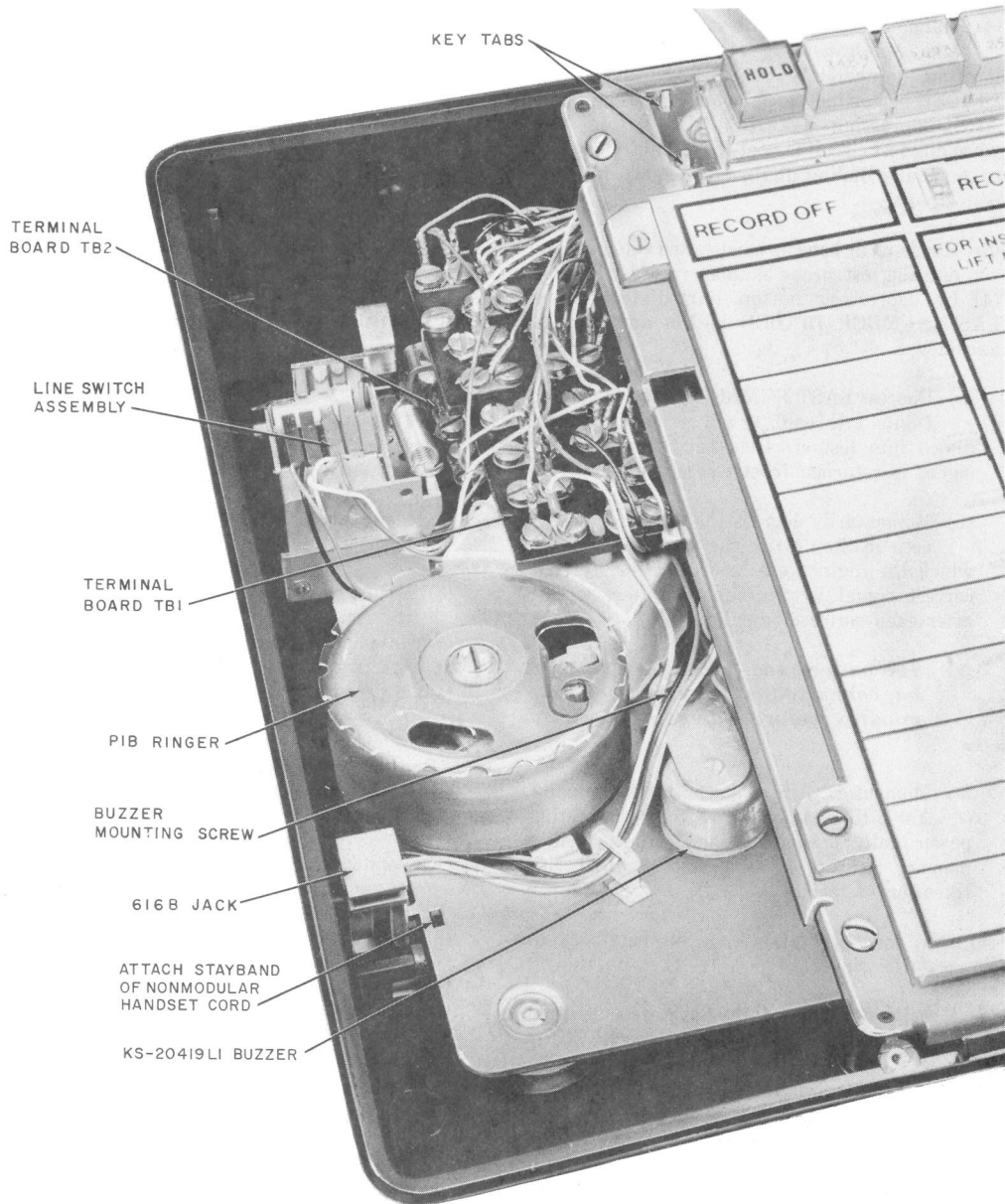


Fig. 3—2872A2M Telephone Set With Faceplate, Handset, Handset Cradle, and Upper Housing Removed

(4) Manually dial CO dial test and ringer circuit and simultaneously record into memory location immediately above LAST NUMBER DIALED button [paragraph 5.01 (4) through (7)]. After depressing RECORD OFF button, and when dial test circuit is ready, test dial frequencies by manually dialing digits 1 through 0 into the test circuit.

(5) Momentarily hang up handset and automatically dial the test circuit number recorded in Step (4) by depressing button immediately above LAST NUMBER DIALED button and proceed as follows.

(a) Depress LAST NUMBER DIALED button. Digits 1 through 0 will be automatically dialed into test circuit. Verify that correct signal is returned from test circuit.

(b) Momentarily depress the memory buttons used in Step (3) in the same sequence in which the digits were recorded. Verify that correct signal is returned from test circuit after each series of numbers.



The battery and the power unit must be connected a minimum of five minutes before doing Step (c).

(c) Momentarily disconnect the power unit (for 5 to 10 seconds). After reconnecting power unit, depress a memory button of a memory location used in Step (3), to verify retention of memory.

(6) Dial the appropriate code for ring-back to test the ringer.

(7) Check operation of the logic reset switch by pressing the RECORD button (RECORD lamp will come on) and subsequently pressing an unoperated line button. The RECORD lamp must go out.

(8) If equipped with one-touch calling option (D-180493 Kit of Parts and speakerphone), and with set in on-hook condition, depress the memory button used in Step (4). The speakerphone should turn on, dial tone should be detected, and the stored number should be automatically dialed.

(9) Go off-hook and manually dial a known telephone number with a WAIT input inserted in the telephone number.

(10) Momentarily hang up the handset and then automatically dial the number by depressing the LAST NUMBER DIALED button. The set should stop dialing when it reaches the stored WAIT input. Depress the LAST NUMBER DIALED button again and the remaining digits should be dialed.

OPTIONAL APPARATUS INSTALLATION

A. D-180492 Kit of Parts (With Speakerphone)

3.08 To install.

- (1) Proceed as described in paragraph 3.16.
- (2) Make connections per the appropriate Tables, B through E.
- (3) Mount the kit assembly to the chassis with the screws provided (Fig. 4). Beveled corner of printed wiring board (PWB) should be located at lower right corner.

B. D-180493 Kit of Parts (Dial Tone Detector and One-Touch Calling Switch)

3.09 To install.

- (1) Remove the housings (paragraph 3.21), and access PSB terminal board (paragraph 3.17).
- (2) Insert the board assembly from the back of the set and locate as shown in Fig. 4, such that the two tabs on the board assembly fit into the slots in the bottom of the chassis.
- (3) Lock the board into position by inserting the self-threading screw through the right side of the chassis.
- (4) Mount the one-touch calling switch below the dial with the two screws provided.

Note: If switch for D-180818 Kit of Parts is already present, the one-touch calling switch can not be installed. The PSB terminal where the switch leads should be connected (Table C or E) shall be strapped together. (The

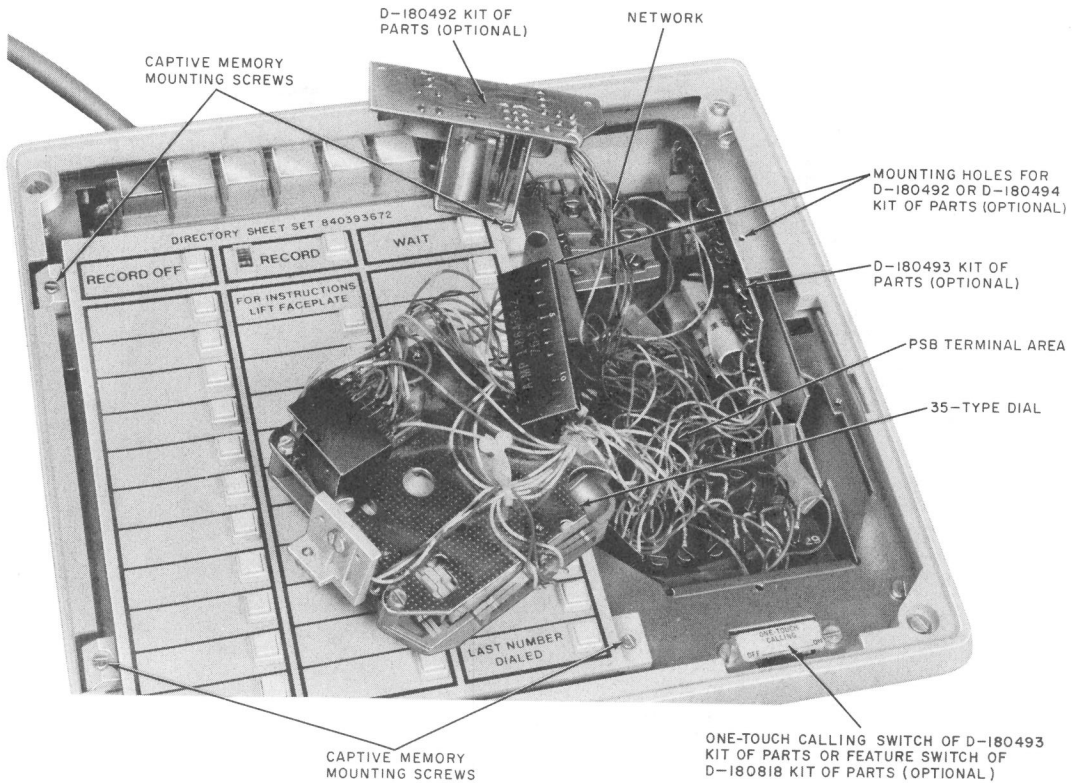


Fig. 4—2872A2M Telephone Set—Dial Removed To Show Terminal Area

one-touch calling option cannot be turned off by the subscriber.)

- (5) Make connections per Table C, E, or F.
- (6) Break off the detail at the bottom of the cover (Fig. 2) and trim edge as required.
- (7) Verify correct operation of the option.
- (8) Reassemble set.

C. D-180494 Kit of Parts (2/4-Wire Service)

3.10 To install.

- (1) Proceed as described in paragraph 3.17.

- (2) Make connections per Table G.

- (3) Mount the kit assembly to the chassis with the screws provided (Fig. 4).

D. D-180818 Kit of Parts (Record Disable and Dial Intermix Features)

3.11 To install.

- (1) Remove faceplate (paragraph 3.19).
- (2) Loosen the captive screw at the bottom of the cover around the dial and remove the cover.
- (3) Disengage the four captive memory mounting screws (Fig. 4).

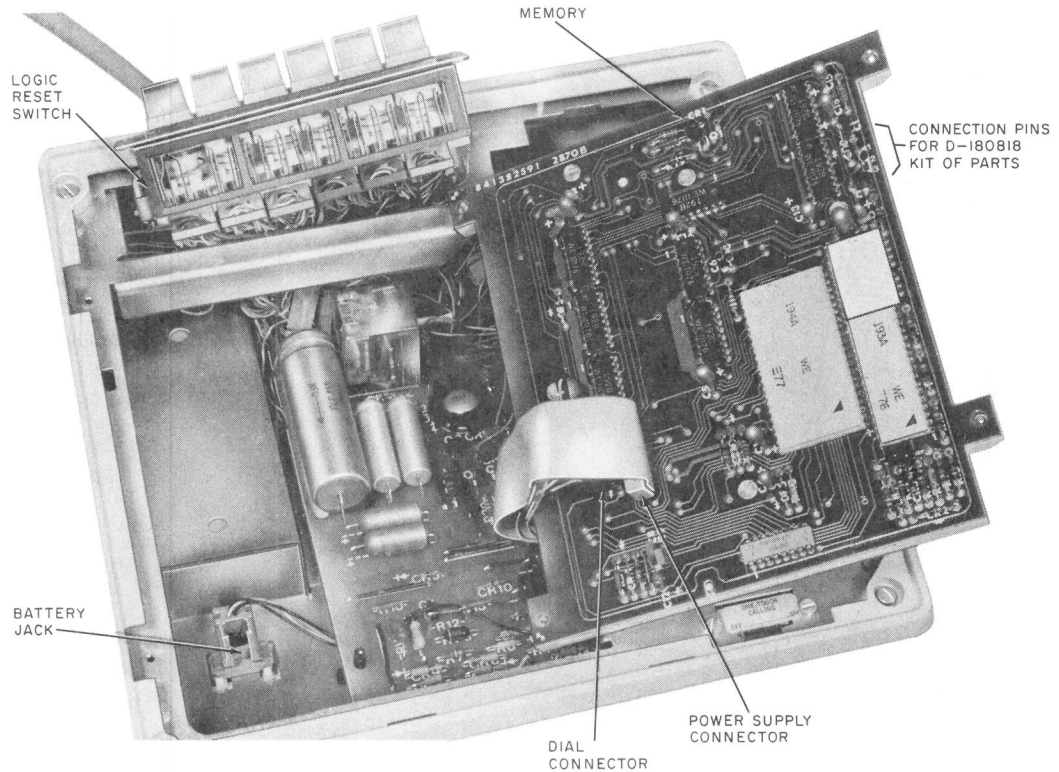


Fig. 5—2872A2M Telephone Set, Internal View, Overall

- (4) Disengage the two captive dial mounting screws and move dial aside.
- (5) Rotate left edge of the memory upward as shown by Fig. 5.

Note: If set is equipped with a 2870A Memory, replace it with 2870B Memory and carefully pack and return the old memory according to local procedures.

- (6) Mount switch below dial using the two screws provided (Fig. 4).

Note: If the one-touch calling switch (D-180493 Kit of Parts) has been provided, it must be removed. The PSB terminals where the switch leads were connected (Table C or E) must be

strapped together. (The one-touch calling option can no longer be turned off by the subscriber.)

- (7) Connect switch lead connectors to post terminals on memory board per Table K.
- (8) With feature switch in OFF position, verify that set operates in normal manner:
 - Numbers can be recorded into memory
 - Numbers can be changed
 - Numbers can be deleted from memory.
- (9) Set feature switch to ON position and verify feature provided.

- Record disable feature, only.
 - (a) RECORD lamp will not light when RECORD button is depressed.
 - (b) No telephone numbers can be recorded, changed, or deleted in memory.
 - (c) LAST NUMBER DIALED feature is operative.
- Record disable and dial intermix features.
 - (a) RECORD lamp will not light when record button is depressed.
 - (b) No telephone numbers can be recorded, changed, or deleted in memory.
 - (c) LAST NUMBER DIALED feature is disabled.
 - (d) Manually and automatically dialed digits may be intermixed (paragraph 5.07).

(10) Reassemble set.

E. Single Line Service

3.12 The 2870A2M TOUCH-A-MATIC telephone set is available from the factory as a single line set. However, the 2872A1M (MD) and 2872A2M telephone sets may be converted to single line service as follows.

- (1) Remove the faceplate, key collar, and all buttons of the 635-type key.
- (2) Gain access to terminal area (paragraph 3.17).
- (3) Remove the cradle (paragraph 3.20).
- (4) Make connection per Table L.
- (5) Reassemble set and install a 2870B1 faceplate of the appropriate color.

Note: If set was originally equipped with a 2872A1-87 faceplate, refer to paragraph 6.11.

F. Head Telephone Set

3.13 To install.

- (1) Remove housing (paragraph 3.21).
- (2) Access PSB terminal area (paragraph 3.17).
- (3) Remove cradle (paragraph 3.20).
- (4) Thread jackset cord through hole in rear of housing and make connections per appropriate table provided with Plantronics Jackset.
- (5) Reassemble telephone set.
- (6) Insert head telephone set plug into jackset.



Other optional components may be used such as SPOKESMAN® loudspeaker sets, etc. Refer to the appropriate section for connection information for these components.

COMPONENT LOCATION AND ACCESS INFORMATION

A. Location of Components

3.14 The components are located in three areas as follows.

- (a) Under the handset cradle (Fig. 3):
 - Buzzer
 - Ringer
 - Line switch assembly
 - Handset jack
 - Terminal boards (TB1 and TB2).
- (b) Under the faceplate, inside the set (Fig. 4 and 5):
 - Battery jack (Fig. 5)
 - Power supply (PSB) terminal area (Fig. 4)
 - Network (Fig. 4)
 - Options (Fig. 4):
 - D-180492 (relay kit for speakerphone)
 - D-180493 (dial tone detector and one-touch calling switch kit)

D-180494 (2/4-wire relay kit)

D-180818 (record disable and dial intermix feature switch)

(c) Bottom of telephone set (Fig. 7).

- Battery.

B. Mounting Cord

3.15 The D50BB-87 mounting cord is amphenol ended at the equipment end and equipped

with 508-type plugs for terminating on the back of the 635-type key module at the telephone set end. The conductors terminated in the 508-type plugs provide the major line service requirements. Spade-tipped conductors are provided for auxiliary control functions or options and are terminated directly on associated equipment, terminal boards, or stored.

Note: Sets manufactured prior to fourth quarter 1976 were equipped with D50AM-87 mounting cords. The major difference in the cords is that TIP and RING contact strips

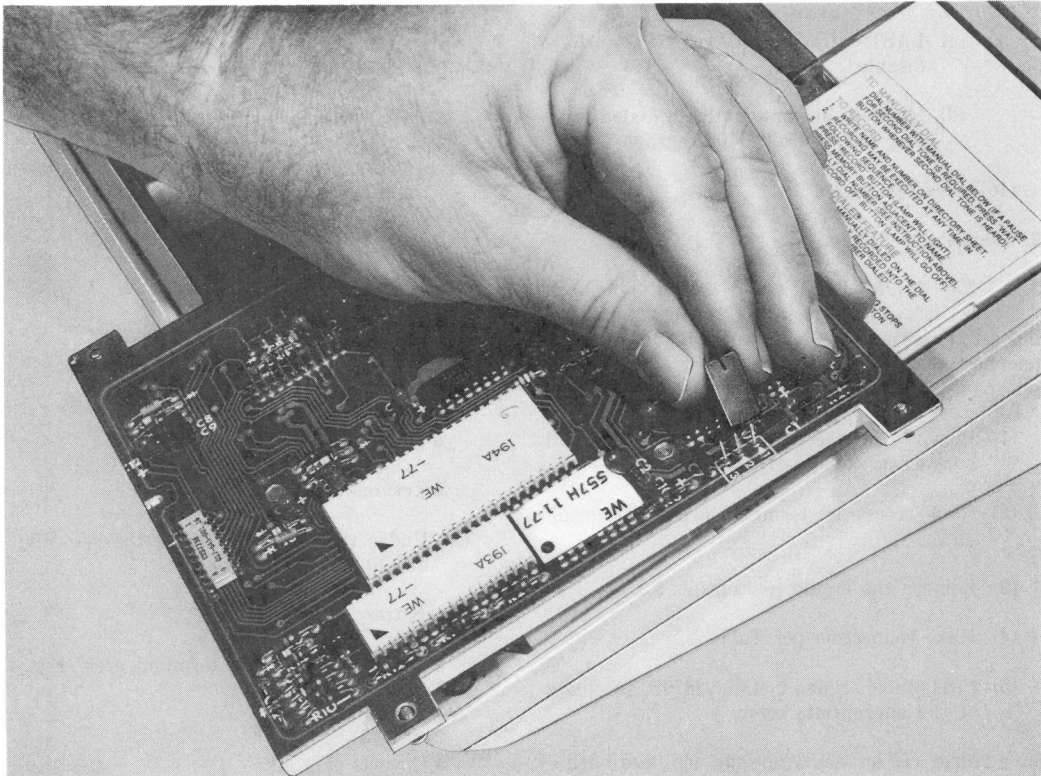


Fig. 6—2872A1M (MD) or 2872A2M Telephone Set, Connection of D-180818 Kit of Parts, Record Disable Feature Only

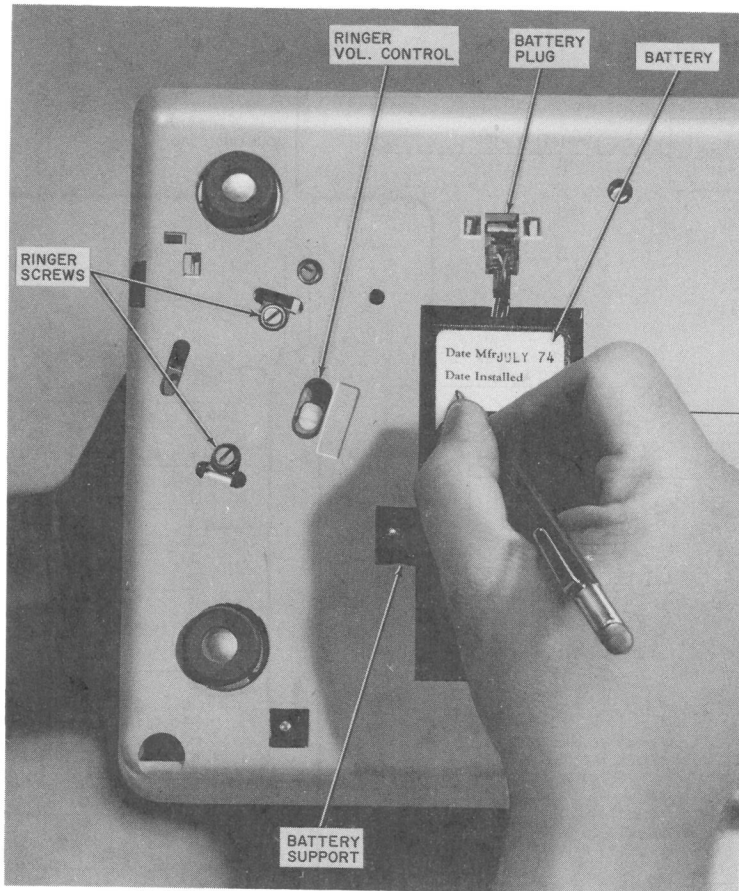


Fig. 7—2872A1M (MD) or 2872A2M Telephone Set, Bottom View

were required with the D50AM-87, whereas individual conductors of the D50BB-87 connect to the TIP and RING contacts of the 635-type key.

C. Network Terminals

3.16 For access to the network terminals.

- (1) Remove the faceplate (paragraph 3.19).
- (2) Loosen the captive cover screw at the bottom of the white cover around the dial (Fig. 2).

(3) Remove the cover.

(4) To replace the cover, the three tabs of the cover (one at the top center and one at each side just above the dial) must be aligned with holes in the chassis before the screw is refastened. Failure to do this will result in improper seating of the faceplate.

D. Power Supply (PSB), Terminals

3.17 To access the terminal field on the power supply board, proceed as follows.

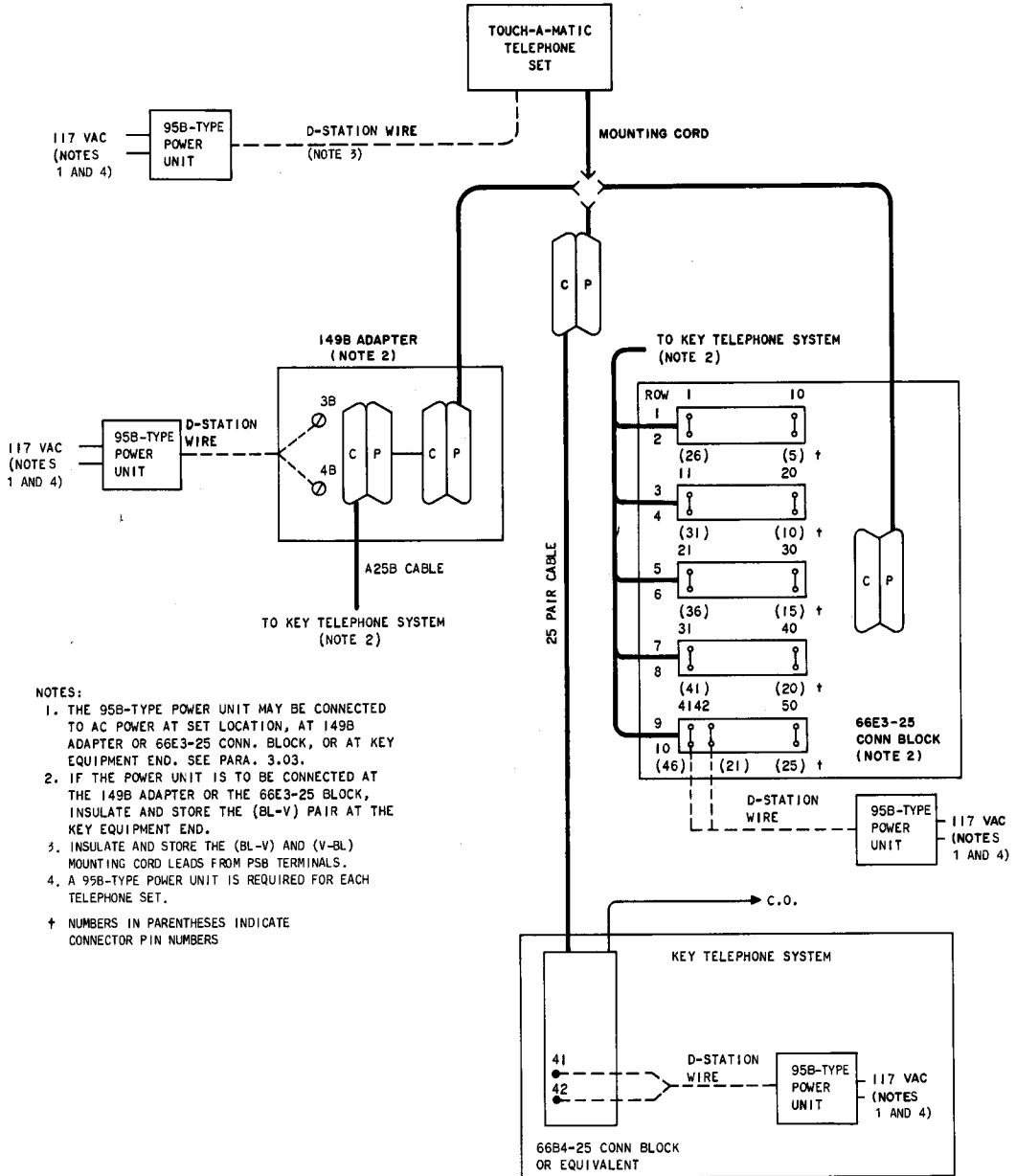


Fig. 8—2872A1M (MD) or 2872A2M Telephone Set, Alternate Power Connection Methods

TABLE B

CONNECTIONS – 2872A1M OR 2872A2M TELEPHONE SET WITH 3B (MD) SPEAKERPHONE ONLY

| APPARATUS | LEAD | | TEL. SET (NOTE 1) | | CONNECT | | |
|--------------------------------|---------|-------|-----------------------|-----|-----------------------------|-----|------|
| | DESIG | COLOR | | | FROM | | TO |
| | | | CONT UNIT (NOTE 2) | | 149B ADPT (D10R CORD) | | |
| | | | 55A | 55B | TERM. | | |
| Tel Set | T1 | V-G | * | 2 | 19 | 1 | 8A |
| | R1 | G-V | * | 11 | 28 | 10 | 7A |
| | A1 | | | | 12 | 2 | A1 |
| | AG | V-S | * | L2† | 5 | 11 | 12A |
| | LK | S-V | * | 17 | 11 | 35 | 11A |
| | R or R1 | | | | 18 | 34 | 1B |
| | R or R1 | | | | 9 | 25 | 1A |
| | B or B1 | | | | 17 | 33 | 2B |
| | B or B1 | | | | 8 | 24 | 2A |
| | Strap | BK | PSB10 | * | | | |
| Strap | BK | PSB20 | * | | | | |
| D-180492 Kit of Parts | CE | BL-BK | | 10 | | | |
| | B+ | BK-BL | | 15 | | | |
| | SHa | R-BL | | 16 | | | |
| | LK | BL-R | | 17 | | | |
| | SHi | G-W | | 18 | | | |
| | PFR | BL-V | | 20 | | | |
| | VDD | W-G | | 21 | | | |
| 666B TRMTR (T7A Cord) | M1 | S-BK | | | 4 | 7 | |
| | P1 | BL-R | | | 13 | 8 | |
| | -15V | BK-S | | | 14 | 16 | |
| | S | O-BK | | | 3 | 18 | |
| | A1 | Y-O | | | 29 | 19 | |
| | F1 | G-Y | | | 2 | 17 | |
| | LK | BK-O | | | 11 | 35 | |
| 760A LSPK (R2FK Cord) | SP1 | G | | | 34 | 20 | |
| | SP2 | R | | | 33‡ | 29‡ | |
| 95B-Type Pwr-Unit | AC1 | | | | | | 3B § |
| | AC2 | | | | | | 4B § |
| 2012B (MD) or 2012D Trnsf | AC1 | | | | 27 | 27 | |
| | AC2 | | | | 36 | 36 | |

* Insulated and stored.

† Terminal on network.

‡ To reduce loudspeaker volume, move SP2 lead to terminal 24 (55A) or 30 (55B)

§ Insulate and store (BL-V) and (V-BL) leads in connector cable.

Note 1: Plug telephone set mounting cord into 149B adapter.

Note 2: When 55A control unit is used, it must be the type modified for TOUCH-TONE, and strap terminals 20 and 21 (55A) or 4 and 5 (55B).

- (1) Remove the faceplate (paragraph 3.19).
- (2) Loosen the captive cover screw at the bottom of the white cover around the dial (Fig. 2).
- (3) Remove the cover.
- (4) Loosen the two captive screws that hold the dial in place.

Note: On sets with metal dial brackets, the screws will have to be removed.

- (5) Gently raise the dial and disconnect 12 position plug from terminal board.
- (6) Rotate dial over onto the memory.
- (7) To reassemble; reverse procedure.
- (8) To replace the cover, the three tabs of the cover (one at the top center and one at each side just above the dial) must be aligned with holes in the chassis before the screw is refastened. Failure to do this will result in improper seating of the faceplate.

E. Line Key Removal

3.18 To remove, use the following procedure.

- (1) Remove faceplate (paragraph 3.19).
- (2) Push the key toward the rear of the set to unlock it from the tabs.
- (3) Raise the metal plate of the key just above the tabs and move the key toward the left, then raise the right end of the key until it clears the chassis of the set.

Warning: Do not damage contact strips which protrude from bottom right side of key or logic reset switch attached on HOLD side of key. (Contact strips will only be found on sets equipped with D50AM-87 mounting cords.)

- (4) Lift the key completely out of the set.
- (5) Replace key by reverse procedure.

F. Faceplate Removal

3.19 Removal will differ depending on faceplate provided.

- (a) The 2872B1 faceplate is held in place by a spring clip attached to the 870A1U upper housing. To disengage the faceplate, lift up the tab which protrudes from the center of the back edge of the faceplate.

Note: The 2872B1 faceplate is not a direct replacement for the 2872A1-87 faceplate. An 870A1U upper housing is also required with the 2872B1 faceplate (see paragraph 6.11).

- (b) The 2872A1-87 faceplate is held in place by two snaps bonded to the faceplate and aligned to fit holes in the chassis. To remove the faceplate, grasp it by any convenient edges and lift.

G. Handset Cradle Removal

3.20 To remove the handset cradle from the housing, proceed as follows.

- (1) Remove the faceplate (paragraph 3.19), and place the handset aside.
- (2) Remove upper housing, if provided, [paragraph 3.21(b)].
- (3) Disengage the captive cradle screws (if provided) located in the two tabs on the cradle (Fig. 2).
- (4) Lift the cradle, by pulling up on the plunger, and remove.
- (5) Replace the handset cradle by sliding it sideways to engage the clips with the mating tabs in the side of the housing.

Warning: The plunger must be held from the top side of the cradle as it is slid into position to prevent damage to the line switch arm.

- (6) Refasten the captive cradle screws, if provided.

H. Housing Removal

3.21 To remove, proceed as follows.

(a) **Lower housing.**

- (1) Unplug the handset cord, at the telephone set end and remove handset.
- (2) Remove the faceplate (paragraph 3.19).
- (3) Remove the handset cradle (paragraph 3.20).

Warning: *Attempting to remove the housing without removing the handset cradle may damage the line switch arm.*

- (4) Disengage the four captive housing screws (Fig. 2) located in each corner of the upper housing.
- (5) Separate the housing from the telephone set base.
- (6) Feed mounting cord through hole in bottom of housing as housing is removed.
- (7) Before replacing the housing, lift the set to check that the shoulders of the battery jack are against the two tabs on the chassis. Misalignment may cause the bottom of the housing to bow.
- (8) When replacing the housing, keep the handset jack from being trapped between the housing and the chassis.

(b) **Upper housing.**

- (1) Remove the faceplate (paragraph 3.19).
- (2) Disengage the captive housing screws located in each corner of the upper housing (Fig. 2). This will release the lower housing.
- (3) Pull the upper housing away from the chassis as each housing screw is backed out. This will separate the upper housing from the chassis.
- (4) If necessary, back screws out of upper housing.
- (5) To reassemble, reverse procedure.

4. CONNECTIONS

- 4.01** Telephone set connections are shown in Fig. 9 and Table I.

Caution: *Some conductor assignments are not standard (Table I).*

- 4.02** Refer to Table A for connection reference for all options.
- 4.03** A partial functional schematic is shown on Fig. 15.

5. OPERATION**A. Record A Number Into Memory****5.01** To record.

- (1) Remove the faceplate (paragraph 3.19).
- (2) Write or type the desired name and telephone number for a selected memory button on the associated position of the directory sheet.
- (3) Replace the directory sheet and faceplate.
- (4) Depress the RECORD button. The RECORD lamp adjacent to the RECORD button will light. (A number can be called and recorded simultaneously by lifting handset before depressing the RECORD button.)

Note: If set is equipped with the D-180818 Kit of Parts, switch must be in the OFF position.

- (5) Depress the specific memory button adjacent to the desired telephone number listed on the directory sheet.
- (6) Manually dial the desired telephone number, if an access code and pause for second dial tone is required—
 - (a) Dial the access digit(s) for the outside line.
 - (b) Push the WAIT button when the RECORD lamp relights. (The WAIT entry counts as one digit.)
 - (c) Dial the telephone number.

Note: A number up to 15 digits in length may be recorded. The RECORD lamp will go out momentarily as each digit is dialed. If exactly 15 digits are recorded, the RECORD lamp will go out and stay out, indicating that the dialer has been reset. If a memory button has not been depressed, the RECORD lamp will go out when the first digit is dialed and recording operation will be voided.

- (7) Depress the RECORD OFF button if less than 15 digits are recorded. The RECORD lamp will go out. The dialer will be reset. The number is now stored in the selected memory. The dialer will also be reset by a line switch, line key, or speakerphone operation.

B. Change A Number In Memory

Note: If set is equipped with a D-180818 Kit of Parts, switch must be in the OFF position.

- 5.02 Whenever a new number is recorded in a previously used memory position, it will automatically replace the previously stored number.

C. Delete A Number From Memory

Note: If set is equipped with a D-180818 Kit of Parts, switch must be in the OFF position.

- 5.03 Complete the following operations in succession.

- (1) Depress the RECORD button.
- (2) Depress the memory button corresponding to the name and number to be deleted.
- (3) Depress the RECORD OFF button.

D. Automatically Dial A Number From Memory

- 5.04 To automatically dial a number.

- (a) For factory-wired sets go off-hook, listen for dial tone, and depress the desired memory button. If WAIT input has been recorded, automatic dialing will stop. When second dial tone is heard, depress memory button again to complete automatic dialing.

- (b) For sets equipped with the dial tone detector only, go off-hook, listen for dial tone, and depress the desired memory button.

- (c) For sets equipped with the one-touch calling option (with speakerphone and dial tone detector), simply depress the memory button.

E. LAST NUMBER DIALED Feature

5.05 The TOUCH-A-MATIC telephone set automatically records into the LAST NUMBER DIALED position (Fig. 1) any number dialed using the standard telephone dial. Each number in the LAST NUMBER DIALED position is automatically replaced by the next number manually dialed. Although the unit is recording, the RECORD lamp does not light at any time during this operation.

Note: If set is equipped with a D-180818 Kit of Parts, and dial intermix feature is provided, LAST NUMBER DIALED feature is functional only when the feature switch is in the OFF position.

5.06 Operation of LAST NUMBER DIALED feature.

- (a) With no access digit(s) required.

- (1) Go off-hook.
- (2) Listen for dial tone.
- (3) Manually dial telephone number.

- (4) To redial same number automatically—

- (a) For factory-wired sets, go off-hook, listen for dial tone and depress LAST NUMBER DIALED button.

- (b) For sets equipped with the dial tone detector only, go off-hook, listen for dial tone, and depress the LAST NUMBER DIALED button.

- (c) For sets equipped with the one-touch calling option (with speakerphone and dial tone detector), simply depress the LAST NUMBER DIALED button.

- (b) When an access code and pause for second dial tone is required.

- (1) Go off-hook.
- (2) Listen for dial tone.
- (3) Dial access digit(s).
- (4) Depress WAIT button, after second dial tone is heard.
- (5) Manually dial telephone number.
- (6) To redial same number automatically.
 - (a) For factory-wired sets, go off-hook, listen for dial tone and depress LAST NUMBER DIALED button. Automatic dialing will stop at the recorded WAIT input. When second dial tone is heard, depress LAST NUMBER DIALED button again to complete automatic dialing.
 - (b) For sets equipped with the dial tone detector only, go off-hook, listen for dial tone, and depress LAST NUMBER DIALED button.
 - (c) For sets equipped with the one-touch calling option (with speakerphone and dial tone detector), simply depress the LAST NUMBER DIALED button.

F. End-to-End Signaling

5.07 For end-to-end signaling (such as data transmission) this set has the capability to intermix manual and automatic dialing. This can be accomplished if the following procedures are observed.

Note: If the telephone set is to be used for end-to-end signaling, V option (with polarity guard) shall be used, (Fig. 9B).

- (1) If the telephone set is equipped with the one-touch calling option the initial number must be dialed automatically (even if the one-touch calling switch is in the OFF position). This allows the dial tone detector to complete its function and then additional numbers may be dialed automatically or manually.
 - (a) **Standard Operation:** If, at any time, information is keyed in manually, the RECORD OFF button must be depressed

before another number can be dialed from memory. (The RECORD lamp will not light at any time but depressing the RECORD OFF button will remove the set from the "last number dialed" mode and allow additional automatic dialing.)

- (b) **Dial Intermix (D-180818 Kit of Parts):** With the switch in the ON position, manually and automatically dialed digits may be intermixed as desired. Operation of the RECORD OFF button is not required.

Note: In this mode, the RECORD button and the LAST NUMBER DIALED feature are inoperative.

6. MAINTENANCE

6.01 In case of power failure, the automatic dialing feature cannot be used. The battery retains the number associated with each of the memory buttons for at least 24 hours. If power loss exceeds 24 hours, the numbers may have to be rerecorded.

A. Trouble Analysis

6.02 When trouble is encountered, the subsequent procedure should be followed.

- (1) Confirm improper operation either as a basic telephone set or as an automatic dialer (Part 5).
- (2) Check for improper connections.
- (3) Refer to Table N, and the following paragraphs.
- (4) If removal of set is required, proceed as follows.
 - (a) ♦ Disconnect power unit from ac outlet and unplug battery.♦
 - (b) Disconnect telephone set.
 - (c) Place battery plug sideways into housing slot below battery jack and tape into place.

Warning: Failure to restrain plug can result in plug damage necessitating battery replacement.

B. Battery

6.03 The KS-20390L2 and L4 batteries are not completely interchangeable. The List 2 battery may be used in both sets but the List 4 battery should only be used in the 2872A2M telephone set. Either battery has an expected life of about 4 years. It can be replaced without loss of memory provided that commercial ac power to the set is continuously maintained. To replace the battery, proceed as follows (Fig. 7).

- (1) Tilt the front of the set up.
- (2) Unplug the battery.
- (3) Loosen captive screw on the battery support.
- (4) Remove battery support.
- (5) Remove battery.
- (6) Install new battery.
- (7) When battery has been connected at least five minutes, check memory retention by momentarily disconnecting ac power and then automatically dialing a known telephone number.

C. Memory

6.04 The memory may be replaced in the following manner.

- (1) ⚡ Disconnect power unit from ac outlet and unplug battery.

Note: Removal of the memory or ac and battery power results in loss of stored telephone numbers.⚡

- (2) Remove the faceplate (paragraph 3.19).
- (3) Loosen the four captive memory mounting screws (Fig. 4).
- (4) Rotate the left edge of the memory upward as shown in Fig. 5.
- (5) Disengage the two connectors by pulling on them perpendicular to the printed wiring board.

(6) Replace the memory by engaging the dial connector first. The dial connectors are keyed, one position is filled and should fit over the vacant position in the row of pins. The flat power supply cable should not be twisted. It should form a loop as shown in Fig. 5 when connected to the board.

- (7) Reassemble set.
- (8) ⚡ Reconnect battery and power unit.
- (9) Test per paragraph 3.07.
- (10) Reprogram memory, see Part 5.⚡

D. Dial

6.05 To replace.

- (1) ⚡ Disconnect power unit from ac outlet and unplug battery.

Note: Removal of ac and battery power results in the loss of stored numbers.⚡

- (2) Proceed per paragraph 3.17.
- (3) Loosen the four captive mounting screws of the memory (Fig. 4).
- (4) Gently raise the left side of the memory and rotate to position shown in Fig. 5. This will expose 10-position dial connector.
- (5) Carefully disengage the dial connector by pulling on it perpendicular to the printed wiring board.
- (6) Lift the dial out.
- (7) To install a new dial, reverse the previous steps. The connectors are keyed to orient them relative to the pins. Observe the correct orientation and do not force the connection.
- (8) ⚡ Reconnect battery and power unit.
- (9) Reprogram memory, see Part 5.⚡

E. 6-Button Line Key

6.06 To replace.

- (1) ⚡ Disconnect power unit from ac outlet and unplug battery.

Note: Removal of ac and battery power results in loss of stored numbers.⚡

- (2) Remove key per paragraph 3.18.
- (3) Access PSB terminal area per paragraph 3.17.
- (4) Disconnect logic reset leads from PSB terminals 14 and 29.
- (5) Remove the 508-type plugs and (if provided) the two contact strips from the back of the key.
- (6) Install new key.
- (7) Reassemble the set.
- (8) ⚡ Reconnect battery and power unit.
- (9) Test for operation of the logic reset switch [paragraph 3.07(7)].
- (10) Reprogram memory, see Part 5.⚡

F. Ringer

6.07 To replace.

- (1) ⚡ Disconnect power unit from ac outlet and unplug battery.

Note: Removal of ac and battery power results in loss of stored numbers.⚡

- (2) Remove the faceplate (paragraph 3.19) and place handset aside.
- (3) Remove upper housing, if provided, [paragraph 3.21(b)].
- (4) Remove the cradle (paragraph 3.20).
- (5) Disconnect the ringer leads (Fig. 9I).
- (6) Tilt the front of the set up.
- (7) Loosen ringer mounting screws (Fig. 7).
- (8) Remove ringer.

- (9) Install new ringer and assemble in reverse order. The leads should be routed as shown in Fig. 3 to prevent contact with the gong and subsequent dampening of the ringer output.

- (10) Reassemble set.
- (11) ⚡ Reconnect battery and power unit.
- (12) Dial ringback code to test ringer.
- (13) Reprogram memory, see Part 5.⚡

G. Buzzer

6.08 To replace the buzzer.

- (1) ⚡ Disconnect power unit from ac outlet and unplug battery.

Note: Removal of ac and battery power results in loss of stored numbers.⚡

- (2) Remove the faceplate (paragraph 3.19), and place handset aside.
- (3) Remove upper housing, if provided, [paragraph 3.21(b)].
- (4) Remove the cradle (paragraph 3.20).
- (5) Remove the buzzer mounting screw.
- (6) Remove the mounting screw and spacer for TB1 (Fig. 3).
- (7) Move terminal board TB1 to gain access to the appropriate terminals on TB2.
- (8) Remove appropriate leads (Fig. 9H).
- (9) Reassemble. When replacing TB1, locate its tabs in the slots of the chassis before refastening the TB1 mounting screw.
- (10) ⚡ Reconnect battery and power unit.
- (11) Reprogram memory, see Part 5.⚡

H. Handset Jack

6.09 To replace the 616B handset jack.

- (1) ⚡ Disconnect power unit from ac outlet and unplug battery.

Note: Removal of ac and battery power results in loss of stored numbers.⚡

- (2) Remove the faceplate (paragraph 3.19), and place handset aside.
- (3) Remove upper housing, if provided, [paragraph 3.21(b)].
- (4) Remove the cradle (paragraph 3.20).
- (5) Remove the mounting screw and spacer for TB1 (Fig. 3).
- (6) Move terminal board TB1 to gain access to the appropriate terminals on TB2.
- (7) Disconnect the appropriate leads (Fig. 9H), and remove jack.
- (8) Reassemble. When replacing TB2, locate its tabs in the slots of the chassis before refastening the TB1 mounting screw.
- (9) ⚡ Route leads through wire guide as shown in Fig. 3.
- (10) Reconnect battery and power unit.
- (11) Reprogram memory, see Part 5.⚡

I. Handset

6.10 A defective G15A handset may be replaced or changed to a modular amplifying handset (G6BM, G7BM, or G8BM) by unplugging the H4DU cord and inserting it into the new handset. To replace the G15A handset with a nonmodular amplifying handset (G6B, G7B, or G8B) proceed as follows.

- (1) ⚡ Disconnect power unit from ac outlet and unplug battery.

Note: Removal of ac and battery power results in loss of stored numbers.⚡

- (2) Unplug H4DU handset cord at telephone set end.

- (3) Remove faceplate (paragraph 3.19), and place handset aside.
- (4) Remove upper housing, if provided, [paragraph 3.21(b)].
- (5) Remove handset cradle (paragraph 3.20).
- (6) Disconnect 616B handset jack (paragraph 6.09). (Jack may be removed or stored just to right of ringer.)
- (7) Insert spade-tipped end of handset cord through hole in the side of the housing.
- (8) Attach stayband hook to bottom of chassis (Fig. 3).
- (9) Route leads as shown in Fig. 3.
- (10) Make connections (Fig. 9H).
- (11) Reassemble set.
- (12) ⚡ Reconnect battery and power unit.
- (13) Reprogram memory, see Part 5.⚡

J. Faceplate

6.11 To replace a 2872A1-87 faceplate with a 2872B1 faceplate.

- (1) Remove the 2872A1-87 faceplate by lifting up at any of its edges.
- (2) Remove the four captive housing screws (Fig. 2) from the chassis.
- (3) Use the four housing screws to mount the 870A1U upper housing to the chassis and 870A1 housing. The three parts should be held tightly together as the screws are driven.
- (4) Place the two tabs located along the lower edge of the 2872B1 faceplate in the notches in the lower side of the 870A1U-type upper housing.
- (5) Lower the faceplate to rest on the memory. The spring clip located at the top center of the upper housing should retain the faceplate.

K. Speakerphone

6.12 For maintenance information on the 3B
♦(MD)♦ or 4A speakerphone systems, refer
to Section 512-620-100 or 512-700-100, respectively.

6.13 For speakerphone connections use appropriate
Tables, B through E.

TABLE C

CONNECTIONS – 2872A1M OR 2872A2M TELEPHONE SET WITH
ONE-TOUCH CALLING USING 3B (MD) SPEAKERPHONE

| APPARATUS | LEAD | | TEL SET (NOTE 1) | | CONNECT | | |
|--------------------------------|---------|-------|---------------------|-----------------|-----------------------|-----|-----------------------------|
| | | | | | FROM | | TO |
| | DESIG | COLOR | FROM | TO PSB TERM. | CONT UNIT (NOTE 2) | | 149B ADPT (D10R CORD) |
| | | | | | 55A | 55B | TERM. |
| Tel Set | T1 | V-G | * | 2 | 19 | 1 | 8A |
| | R1 | G-V | * | 11 | 28 | 10 | 7A |
| | A1 | | | | 12 | 2 | A1 |
| | AG | V-S | * | L2† | 5 | 11 | 12A |
| | LK | S-V | * | 17 | 11 | 35 | 11A |
| | SPO | O-V | * | 34 | 3 | 18 | 5B |
| | R or R1 | | | | 18 | 34 | 1B |
| | R or R1 | | | | 9 | 25 | 1A |
| | B or B1 | | | | 17 | 33 | 2B |
| | B or B1 | | | | 8 | 24 | 2A |
| | Strap | BK | 10 | * | | | |
| | Strap | BK | 20 | * | | | |
| | Strap | BK | 19 | * | | | |
| | Strap | BK | 26 | * | | | |
| Strap | BK | 29 | * | | | | |
| D-180493 Kit of Parts | Input | G-R | | 2 | | | |
| | PB | O-BK | | 9 | | | |
| | Input | G-R | | 11 | | | |
| | LK | Y-G | | 17 | | | |
| | DT | O-Y | | 19 | | | |
| | VDD | R-O | | 21 | | | |
| | DR | Y-O | | 24 | | | |
| PL | O-R | | 25 | | | | |

TABLE C (Contd)

CONNECTIONS – 2872A1M OR 2872A2M TELEPHONE SET WITH
ONE-TOUCH CALLING USING 3B (MD) SPEAKERPHONE

| APPARATUS | LEAD | | TEL SET (NOTE 1) | | CONNECT | | |
|-------------------------------------------|--------|-------|---------------------|-----------------|-----------------------|-----|-----------------------------|
| | | | | | FROM | | TO |
| | DESIG | COLOR | FROM | TO PSB TERM. | CONT UNIT (NOTE 2) | | 149B ADPT (D10R CORD) |
| | | | | | 55A | 55B | TERM. |
| D-180493 Kit of Parts (Contd) | DTT | BL-Y | | 26 | | | |
| | SPR | Y-BL | | 27 | | | |
| | COM | BK-O | | 29 | | | |
| | SPO | G-Y | | 34 | | | |
| | Switch | S | | 28 | | | |
| | | S | | 29 | | | |
| D-180492 Kit of Parts | CE | BL-BK | | 10 | | | |
| | B+ | BK-BL | | 15 | | | |
| | SHa | R-BL | | 16 | | | |
| | LK | BL-R | | 17 | | | |
| | SHi | G-W | | 18 | | | |
| | PFR | BL-V | | 20 | | | |
| | VDD | W-G | | 21 | | | |
| 666B (MD) TRMTR (T7A Cord) | M1 | S-BK | | | 4 | 7 | |
| | P1 | BL-R | | | 13 | 8 | |
| | -15V | BK-S | | | 11 | 16 | |
| | S | O-BK | | | 3 | 18 | |
| | A1 | Y-O | | | 29 | 19 | |
| | F1 | G-Y | | | 2 | 17 | |
| | LK | BK-O | | | 11 | 35 | |
| 760A (MD) Lspk (R2FK Cord) | SP1 | G | | | 34 | 20 | |
| | SP2 | R | | | 33‡ | 29‡ | |

◆ TABLE C (Contd) ◆

**CONNECTIONS – 2872A1M OR 2872A2M TELEPHONE SET WITH
ONE-TOUCH CALLING USING 3B (MD) SPEAKERPHONE**

| APPARATUS | LEAD | | TEL SET (NOTE 1) | | CONNECT | | |
|---------------------------------|-------|-------|---------------------|-----------------|-----------------------|-----|-----------------------------|
| | | | | | FROM | | TO |
| | DESIG | COLOR | FROM | TO PSB TERM. | CONT UNIT (NOTE 2) | | 149B ADPT (D10R CORD) |
| | | | | | 55A | 55B | TERM. |
| 95B-Type Pwr Unit | AC1 | | | | | | 3B § |
| | AC2 | | | | | | 4B § |
| 2012B (MD) or 2012D Trnsf | AC1 | | | | 27 | 27 | |
| | AC2 | | | | 36 | 36 | |

Note 1: Plug telephone set mounting cord into 149B adapter.

Note 2: When 55A control unit is used, it must be the type modified for TOUCH-TONE, and strap terminals 20 and 21 (55A) or 4 and 5 (55B).

* Insulated and stored.

† Terminal on network.

‡ To reduce loudspeaker volume, move SP2 lead to terminal 24 (55A) or 30 (55B).

§ Insulate and store (BL-V) and (V-BL) leads in connector cable.

♦ TABLE D ♦

CONNECTIONS -- 2872A1M OR 2872A2M TELEPHONE SET WITH
4A SPEAKERPHONE ONLY, USING 82B CONNECTING BLOCK

| APPARATUS | LEAD | | TEL SET | | 82B CONN BLK (NOTE 1) | CONN CABLE AT KEY EQUIP | |
|--------------------------------|-------|-------|---------|-----------------|--------------------------------|----------------------------------|----|
| | DESIG | COLOR | FROM | TO PSB TERM. | | COLOR | TO |
| Tel Set | T1 | V-G | * | 2 | (Note 2) | | |
| | R1 | G-V | * | 11 | | | |
| | A1 | | | | | | |
| | AG | V-S | * | L2† | | | |
| | LK | S-V | * | 17 | | | |
| | Strap | BK | PSB-10 | * | | | |
| | Strap | BK | PSB-20 | * | | | |
| D-180492 Kit of Parts | CE | BL-BK | | 10 | | | |
| | B+ | BK-BL | | 15 | | | |
| | SHa | R-BL | | 16 | | | |
| | LK | BL-R | | 17 | | | |
| | SHi | G-W | | 18 | | | |
| | PFR | BL-V | | 20 | | | |
| | VDD | W-G | | 21 | | | |
| 85B1 Power Unit | AC1 | | | | AC1 | BR-V | * |
| | | BK | | | | | |
| AC2 | | | | | AC2 | V-BR | * |
| | Y | | | | | | |
| 95B-Type Power Unit | AC1 | | | | 21 | BL-V | * |
| | | R | | | | | |
| | AC2 | G | | | 46 | V-BL | * |

Note 1: Plug mounting cords of telephone set, 108-type loudspeaker, and 680-type transmitter into 82B connecting block. Install option plug in ringer cutoff mode.

Note 2: For 1A1 or 1A2 KTS, connect link between 2 and A1. For 1A KTS, connect link between 19 and A1.

* Insulated and stored.

† Terminal on network.

TABLE E

CONNECTIONS – 2872A1M OR 2872A2M TELEPHONE SET WITH
ONE-TOUCH CALLING USING 4A SPEAKERPHONE

| APPARATUS | LEAD | | TEL SET | | 82B CONN. BLK (NOTE 1) | CONN CABLE AT KEY EQUIP. | |
|--------------------------------|--------|-------|---------|-----------------|---------------------------------|-----------------------------------|----|
| | DESIG | COLOR | FROM | TO PSB TERM. | | COLOR | TO |
| Tel Set | T1 | V-G | * | 2 | | | |
| | R1 | G-V | * | 11 | | | |
| | A1 | | | | | | |
| | AG | V-S | * | L2† | | | |
| | LK | S-V | * | 17 | | | |
| | SPO | O-V | * | 34 | Strap 10 to 35 | O-V | * |
| | Strap | BK | 10 | * | | | |
| | Strap | BK | 20 | * | | | |
| | Strap | BK | 19 | * | | | |
| | Strap | BK | 26 | * | | | |
| | Strap | BK | 29 | * | | | |
| D-180493 Kit of Parts | Input | G-R | | 2 | | | |
| | PB | O-BK | | 9 | | | |
| | Input | G-R | | 11 | | | |
| | LK | Y-G | | 17 | | | |
| | DT | O-Y | | 19 | | | |
| | VDD | R-O | | 21 | | | |
| | DR | Y-O | | 24 | | | |
| | PL | O-R | | 25 | | | |
| | DTT | BL-Y | | 26 | | | |
| | SPR | Y-BL | | 27 | | | |
| | COM | BK-O | | 29 | | | |
| | SPO | G-Y | | 34 | | | |
| | SWITCH | S | | 28 | | | |
| S | | | 29 | | | | |

◆ TABLE E (Contd) ◆

**CONNECTIONS – 2872A1M OR 2872A2M TELEPHONE SET WITH
ONE-TOUCH CALLING USING 4A SPEAKERPHONE**

| APPARATUS | LEAD | | TEL SET | | 82B CONN. BLK (NOTE 1) | CONN CABLE AT KEY EQUIP. | |
|--------------------------------|-------|-------|---------|-----------------|---------------------------------|-----------------------------------|----|
| | DESIG | COLOR | FROM | TO PSB TERM. | | COLOR | TO |
| D-180492 Kit of Parts | CE | BL-BK | | 10 | | | |
| | B+ | BK-BL | | 15 | | | |
| | SHa | R-BL | | 16 | | | |
| | LK | BL-R | | 17 | | | |
| | SHi | G-W | | 18 | | | |
| | PFR | BL-V | | 20 | | | |
| | VDD | W-G | | 21 | | | |
| 85B1 Power Unit | AC1 | | | | | BR-V | * |
| | | BK | | | AC1 | | |
| | AC2 | | | | | V-BR | * |
| | | Y | | | AC2 | | |
| 95B-Type Power Unit | AC1 | | | | | BL-V | * |
| | | R | | | 21 | | |
| | AC2 | | | | | V-BL | * |
| | | G | | | 46 | | |

Note 1: Plug mounting cords of telephone set, 108-Type loudspeaker, and 680-Type transmitter into 82B connecting block. Install option plug in ringer cutoff mode.

Note 2: For 1A1 or 1A2 KTS, connect link between 2 and A1. For 1A KTS, connect link between 19 and A1.

* Insulated and stored.

† Terminal on network.

◆ TABLE F ◆

**CONNECTIONS – 2872A1M OR 2872A2M
TELEPHONE SET WITH DIAL TONE
DETECTOR ONLY (SEE NOTE)**

| APPARATUS | LEAD | | TEL SET | |
|--------------------------------|-------------|-------|---------|-------------|
| | DESIG | COLOR | FROM | TO PSB TERM |
| Tel Set | Strap | BK | 19 | * |
| | Strap | BK | 26 | * |
| D-180493 Kit of Parts | Input | G-R | | 2 |
| | PB | O-BK | | 9 |
| | Input | G-R | | 11 |
| | LK | Y-G | | * |
| | DT | O-Y | | 19 |
| | VDD | R-O | | 21 |
| | DR | Y-O | | 24 |
| | PL | O-R | | 25 |
| | DTT | BL-Y | | 26 |
| | SPR | Y-BL | | * |
| | COM | BK-O | | 29 |
| | SPO | G-Y | | * |
| | Switch † | S | | * |
| | S | | * | |

Note: May be used for applications where first dial tone is not precise (350 Hz and 440 Hz) but all subsequent dial tones must be precise if number is to be dialed automatically.

* Insulated and stored.

† Switch is not required when speakerphone is not provided.

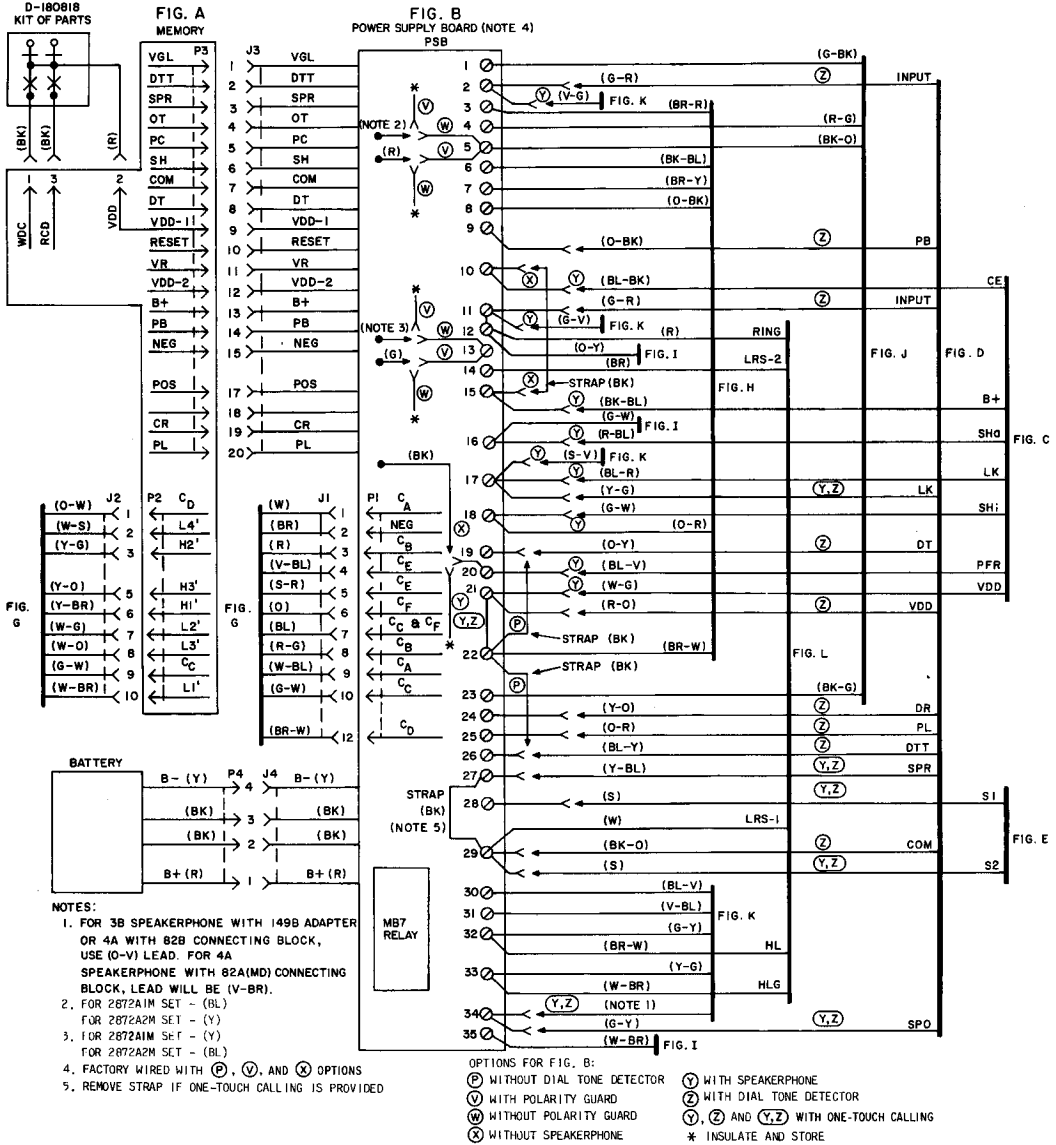


Fig. 9—2872A1M (MD) or 2872A2M Telephone Set, Connections (Sheet 1 of 5)

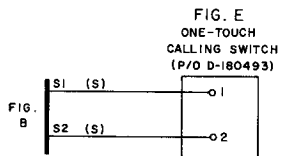
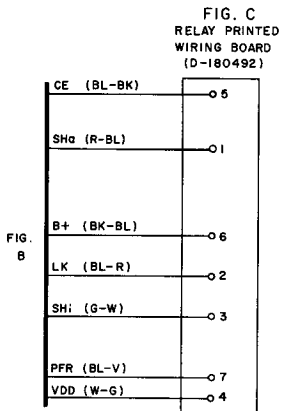


FIG. D
DIAL TONE DETECTOR
(P/O D-180493)

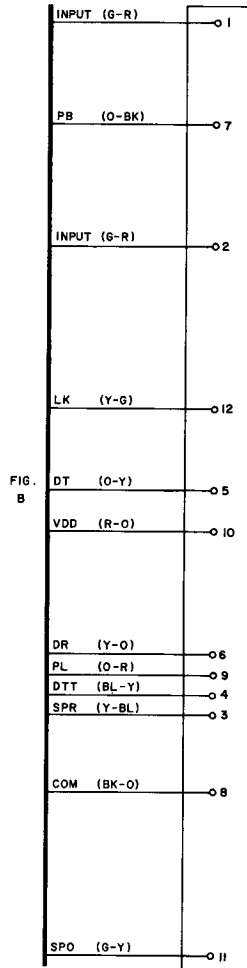


Fig. 9—2872A1M (MD) or 2872A2M Telephone Set, Connections (Sheet 2 of 5)

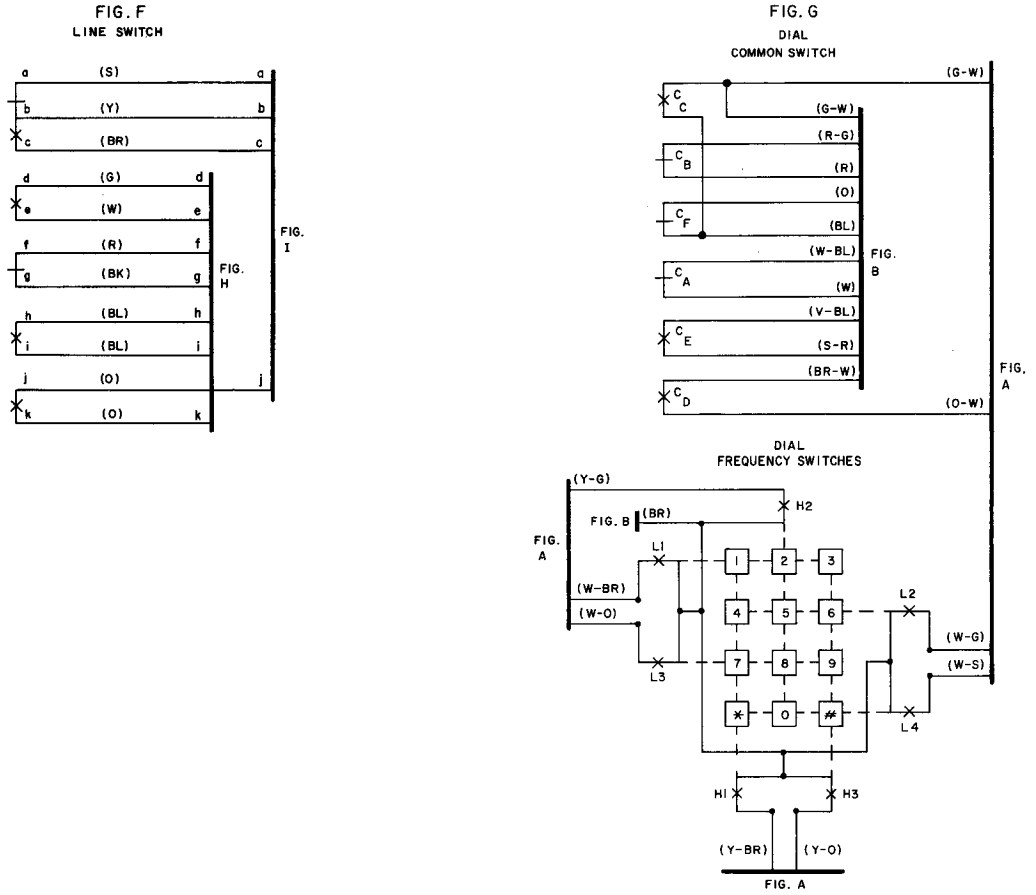


Fig. 9—2872A1M (MD) or 2872A2M Telephone Set, Connections (Sheet 3 of 5)

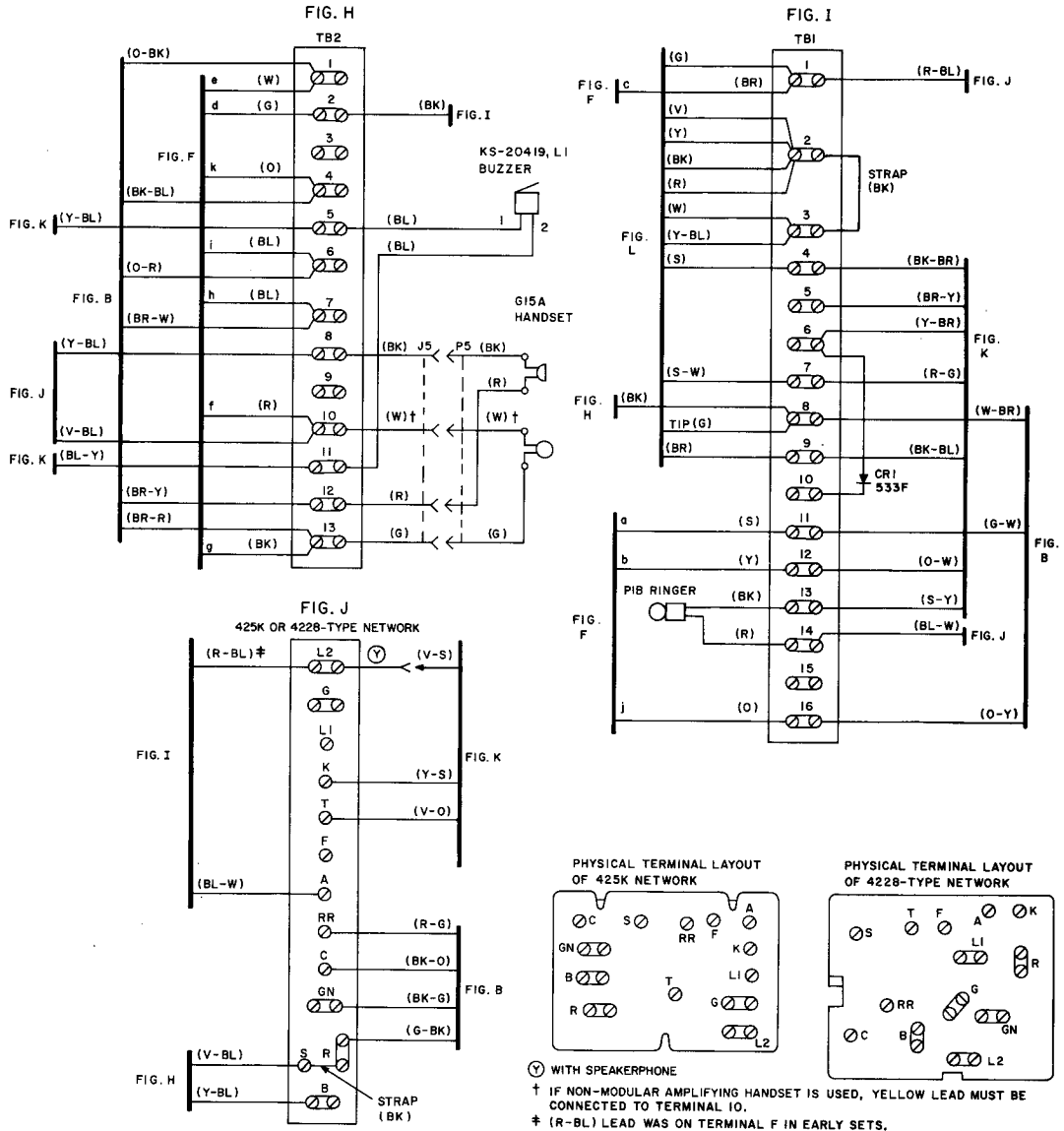
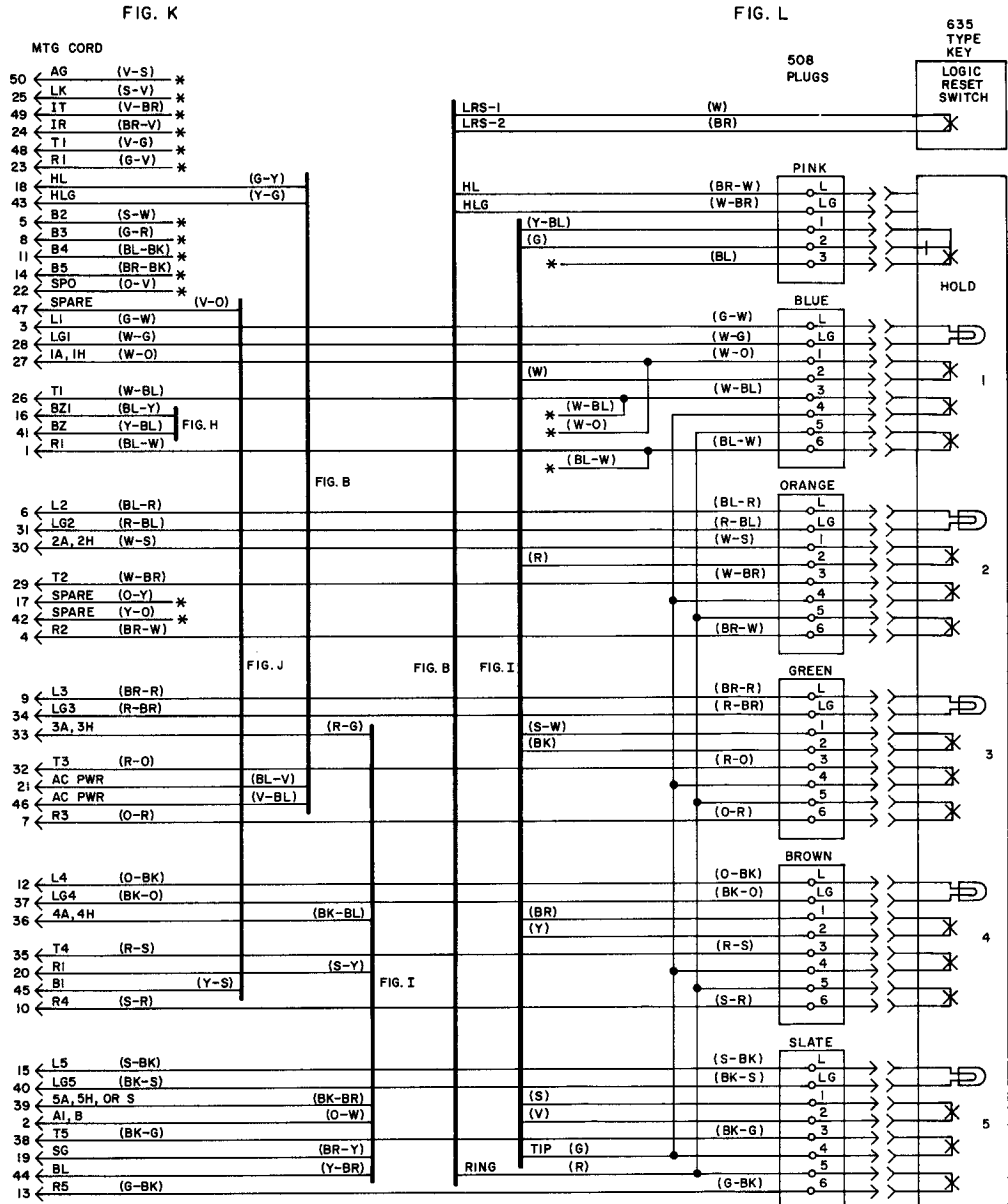


Fig. 9—2872A1M (MD) or 2872A2M Telephone Set, Connections (Sheet 4 of 5)



* - INSULATE AND STORE.

Fig. 9—2872A1M (MD) or 2872A2M Telephone Set, Connections (Sheet 5 of 5)

♦ TABLE G ♦

CONNECTIONS FOR 2/4-WIRE SERVICE

| APPARATUS | LEAD COLOR | REMOVE FROM | CONNECT TO |
|--------------------------|------------|-------------|------------|
| Tel Set | BK-G | Net. GN | Net. L1 |
| | BK | Net. R | * |
| | BR-V | * | PSB-17 |
| | V-BR | * | PSB-34 |
| D-180494 Kit of Parts | V | | Net. T |
| | S | | Net. L2 |
| | BR | | PSB-3 |
| | Y-BR | | Net. L1 |
| | BL-R | | Net. GN |
| | G-BK | | PSB-17 |
| | R-BR | | Net. R |
| | R-O | | Net. S |
| | BL-Y | | PSB-34 |

* Insulated and Stored.

♦ TABLE H ♦

CONVERSION OF KEYS FOR SIGNALING

| SELECTIVE SIGNALING | | | | | | | |
|-----------------------------|-------------|-------|--------|-------|-------|-------|-------|
| 508 PLUG | COLOR: | BLUE | ORANGE | GREEN | BROWN | SLATE | |
| | PIN NO: | 2 | 2 | 2 | 2 | 2 | 1 |
| | LEAD COLOR: | W | R | BK | Y | V | S |
| Key Functions † | HPPPPP | TB1-3 | TB1-2 | TB1-2 | TB1-2 | TB1-2 | TB1-4 |
| | HPPPPS | TB1-3 | TB1-2 | TB1-2 | TB1-2 | TB1-5 | TB1-4 |
| | HPPSSS | TB1-3 | TB1-2 | TB1-2 | TB1-5 | TB1-5 | TB1-4 |
| | HPPSSS | TB1-3 | TB1-2 | TB1-5 | TB1-5 | TB1-5 | TB1-4 |
| COMMON SIGNALING (SEE NOTE) | | | | | | | |
| 508 PLUG | COLOR: | BLUE | ORANGE | GREEN | BROWN | SLATE | |
| | PIN NO: | 2 | 2 | 2 | 2 | 2 | 1 |
| | LEAD COLOR: | W | R | BK | Y | V | S |
| Key Functions † | HPPP*P*S | TB1-3 | TB1-3 | TB1-2 | TB1-2 | TB1-2 | TB1-3 |
| | HPP*P*P*S | TB1-3 | TB1-2 | TB1-2 | TB1-2 | TB1-2 | TB1-3 |

Note: Insulate and store (BK) strap lead from TB1-3.

* These arrangements use line switch controlled ground for common signal key, used with private or intercommunicating lines. Common signal should be used to operate a common signal relay. Do not wire directly to a buzzer.

† Remove pins to make key nonlocking when used for signaling.

TABLE I
MOUNTING CORD AND 508 PLUG CONNECTIONS

| AMPHENOL PLUG | | | INSIDE TELEPHONE SET | | | | | | |
|---------------|---------|-------|----------------------------|-----------|---------|--------------------------------------|--------------|-------|-------|
| DESIG | PIN NO. | COLOR | MTG CD TERMINATIONS | | | SPADE TIP CONDUCTORS FROM 508 PLUGS. | | | |
| | | | SPADE TIP COND. IN MTG. CD | 508 PLUGS | | PLUG COLOR | PLUG PIN NO. | COLOR | TERM. |
| | | | | COLOR | PIN NO. | | | | |
| R(1) | 1 | BL-W | | BL | 6 | BL | 6 | BL-W | * |
| T(1) | 26 | W-BL | | BL | 3 | BL | 3 | W-BL | * |
| A1 | 2 | O-W | TB1-12 | | | BL | 2 | W | TB1-3 |
| A(1) | 27 | W-O | | BL | 1 | BL | 1 | W-O | * |
| L(1) | 3 | G-W | | BL | L | | | | |
| LG(1) | 28 | W-G | | BL | LG | | | | |
| R(2) | 4 | BR-W | | O | 6 | | | | |
| T(2) | 29 | W-BR | | O | 3 | | | | |
| B(2) | 5 | S-W | * | | | O | 2 | R | TB1-2 |
| A(2) | 30 | W-S | | O | 1 | | | | |
| L(2) | 6 | BL-R | | O | L | | | | |
| LG(2) | 31 | R-BL | | O | LG | | | | |
| R(3) | 7 | O-R | | G | 6 | | | | |
| T(3) | 32 | R-O | | G | 3 | | | | |
| B(3) | 8 | G-R | * | | | G | 2 | BK | TB1-2 |
| A(3) | 33 | R-G | TB1-7 | | | G | 1 | S-W | TB1-7 |
| L(3) | 9 | BR-R | | G | L | | | | |
| LG(3) | 34 | R-BR | | G | LG | | | | |
| R(4) | 10 | S-R | | BR | 6 | | | | |
| T(4) | 35 | R-S | | BR | 3 | | | | |
| B(4) | 11 | BL-BK | * | | | BR | 2 | Y | TB1-2 |
| A(4) | 36 | BK-BL | TB1-9 | | | BR | 1 | BR | TB1-9 |
| L(4) | 12 | O-BK | | BR | L | | | | |
| LG(4) | 37 | BK-O | | BR | LG | | | | |
| R(5) | 13 | G-BK | | S | 6 | | | | |
| T(5) | 38 | BK-G | | S | 3 | | | | |
| B(5) | 14 | BR-BK | * | | | S | 2 | V | TB1-2 |
| A(5) | 39 | BK-BR | TB1-4 | | | S | 1 | S | TB1-4 |
| L(5) | 15 | S-BK | | S | L | | | | |
| LG(5) | 40 | BK-S | | S | LG | | | | |
| BZ1 | 168 | BL-Y | TB2-11 | | | | | | |
| BZ | 418 | Y-BL | TB2-5 | | | | | | |

TABLE I (Contd)
MOUNTING CORD AND 508 PLUG CONNECTIONS

| AMPHENOL PLUG | | | INSIDE TELEPHONE SET | | | | | | |
|---------------|---------|-------|----------------------------|-----------|---------|--------------------------------------|--------------|-------|--------|
| DESIG | PIN NO. | COLOR | MTG CD TERMINATIONS | | | SPADE TIP CONDUCTORS FROM 508 PLUGS. | | | |
| | | | SPADE TIP COND. IN MTG. CD | 508 PLUGS | | PLUG COLOR | PLUG PIN NO. | COLOR | TERM. |
| | | | | COLOR | PIN NO. | | | | |
| Spare | 17 | O-Y | * | | | | | | |
| Spare | 42 | Y-O | * | | | | | | |
| HL | 18 | G-Y | PSB-32 | | | | | | |
| HLG | 43 | Y-G | PSB-33 | | | | | | |
| SG | 19 | BR-Y | TB1-5 | | | | | | |
| BL | 44 | Y-BR | TB1-6 | | | | | | |
| R or R1 | 20 | S-Y | TB1-13 | | | | | | |
| B or B1 | 45 | Y-S | Net. K | | | | | | |
| AC1† | 21§ | BL-V | PSB-30 | | | | | | |
| AC2† | 46§ | V-BL | PSB-31 | | | | | | |
| SPO‡ | 22§ | O-V | * | | | | | | |
| Spare | 47 | V-O | Net. T | | | | | | |
| R1‡ | 23 | G-V | * | | | | | | |
| T1‡ | 48 | V-G | * | | | | | | |
| IR‡ | 24 | BR-V | * | | | | | | |
| IT‡ | 49 | V-BR | * | | | | | | |
| LK‡ | 25 | S-V | * | | | | | | |
| AG‡ | 50 | V-S | * | | | | | | |
| Tip | | | | | | S | 4 | G | TB1-8 |
| Ring | | | | | | S | 5 | R | PSB-12 |
| | | | | | | Pink | HL | BR-W | PSB-32 |
| | | | | | | Pink | HLG | W-BR | PSB-33 |
| | | | | | | Pink | 3 | BL | * |
| | | | | | | Pink | 2 | G | TB1-1 |
| | | | | | | Pink | 1 | Y-BL | TB1-3 |

* Insulate and store.

† 95B1 Power Unit (Touch-A-Matic Power Supply)

‡ Designations for speakerphone options. Refer to Tables B through E.

§ Nonstandard pin numbers.

◆ TABLE J ◆

TO CONVERT THE 2872A1M OR 2872A2M
TELEPHONE SET FROM 1A1, 1A2, TO
1A OPERATION (SEE NOTE)

| LEAD DESIG | COLOR | FROM (1A1, 1A2) | TO (1A) |
|---------------|-------|---------------------|------------|
| LSb | Y | TB1-12 | TB1-5 |
| Hold | Y-BL | TB1-3 | TB1-16 |
| Hold | BL | *(Pink 508 Plug) | TB1-3 |
| Hold | G | TB1-1 | Spare 1 § |
| Ring | R | PSB-12 | Spare 1 § |
| LSc† | BR | TB1-1 | TB1-6 |
| Net. L2 ‡ | R-BL | TB1-1 | TB1-6 |

Note: Tables B through E provide speakerphone connections for 1A1 and 1A2 KTS. The same tables apply for 1A KTS.

* Insulated and stored.

† Only required when busy-lamp option is provided.

‡ Only required when both busy-lamp and speakerphone options are provided.

§ Connect to same spare terminal or D-161488 connector.

◆ TABLE K ◆

CONNECTIONS FOR D-180818
KIT OF PARTS

| D-KIT SWITCH LEADS | | TERMINAL POSTS FOR SWITCH LEAD CONNECTORS | |
|-----------------------|-------------------|----------------------------------------------|------------------------------------------------------------|
| DESIG. | COLOR (NOTE 1) | RECORD DISABLE ONLY | RECORD DISABLE AND DIAL INTERMIX FEATURE (NOTE 2) |
| WDC | BK† | * | 1 |
| VDD | R | 2 | 2 |
| RCD | BK | 3 | 3 |

Note 1: These are connectors attached to the switch leads. A single pin connector with a (BK) lead and a double pin connector with a (R) and (BK) lead.

Note 2: When this option is provided the LAST NUMBER DIALED (LND) feature is disabled and the 32nd memory may be used just as any other memory.

* Insulate and store.

† Single pin connector.

◆ TABLE L ◆

**CONNECTIONS FOR CONVERSION
TO SINGLE LINE SERVICE WITH
BRIDGED RINGING**

| LEAD | | CONNECT | |
|--------|-------|----------|--------|
| DESIG. | COLOR | FROM | TO |
| Tip | W-BL | (1PU-3)* | TB1-8 |
| Ring | BL-W | (1PU-6)* | TB1-16 |
| B1 | Y-S | Net. K | * |
| Strap | BK | Net. K | PSB-35 |
| R1 | S-Y | TB1-13 | * |
| Strap | BK | TB1-13 | TB1-16 |
| A-Lead | W-O | (1PU-1)* | TB1-1 |
| Hold | Y-BL | TB1-3 | * |
| LRS-2 | BR | PSB-14 | * |

* Insulated and stored.

◆ TABLE M ◆

**CONVERSION TO BRIDGED
RINGING ON FIRST LINE WITH
6-BUTTON KEY SERVICE**

| LEAD | | CONNECT | |
|--------|-------|----------|--------|
| DESIG. | COLOR | FROM | TO |
| Tip | W-BL | (1PU-3)* | Net. K |
| Ring | BL-W | (1PU-6)* | TB1-13 |
| B1 | Y-S | Net. K | * |
| R1 | S-Y | TB1-13 | * |

* Insulated and stored.

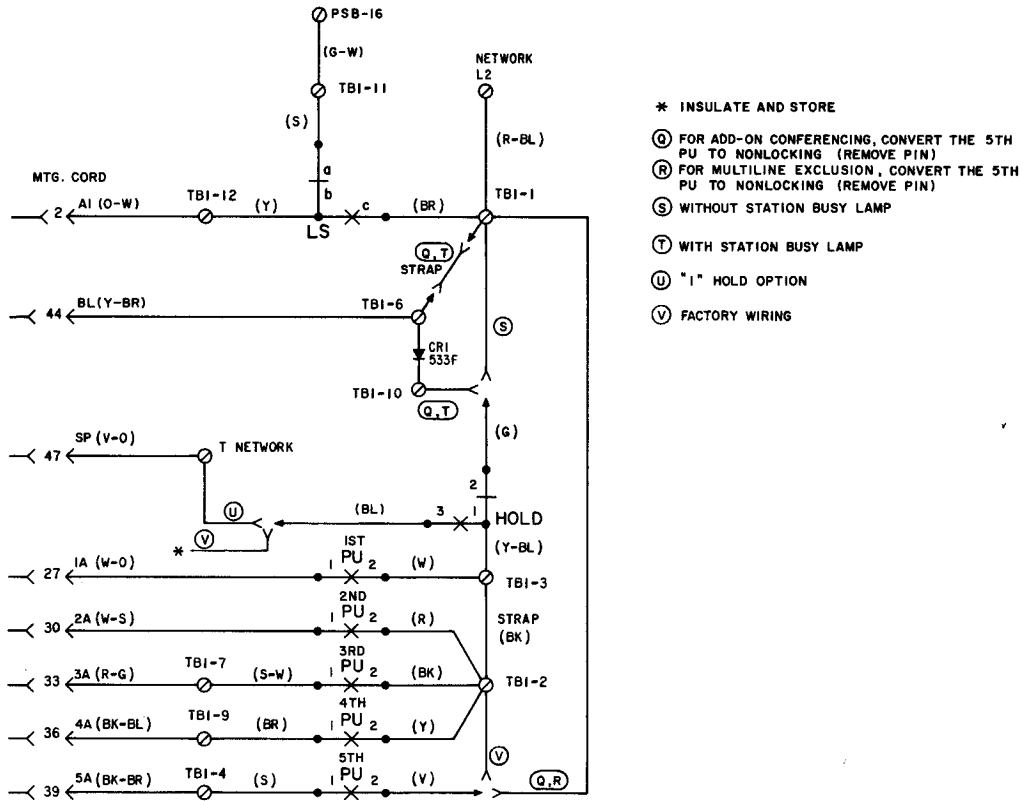
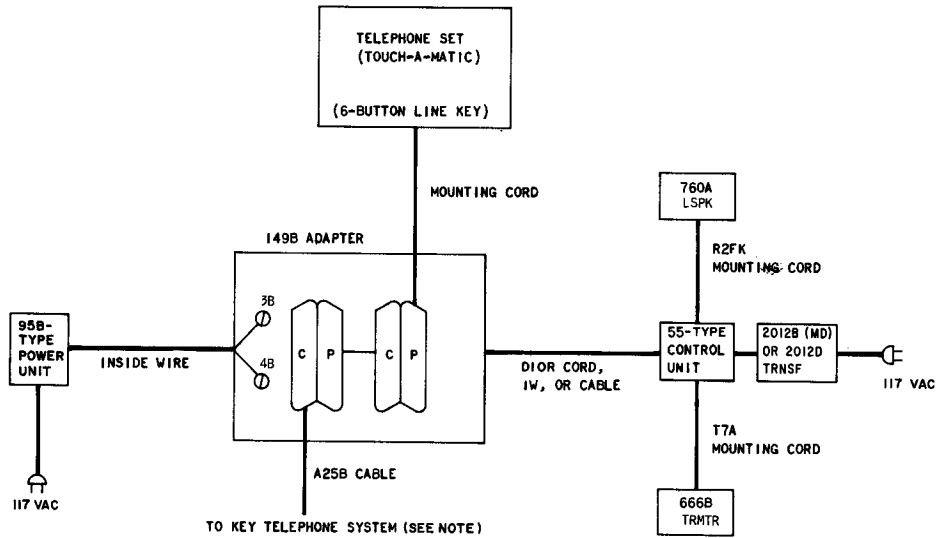
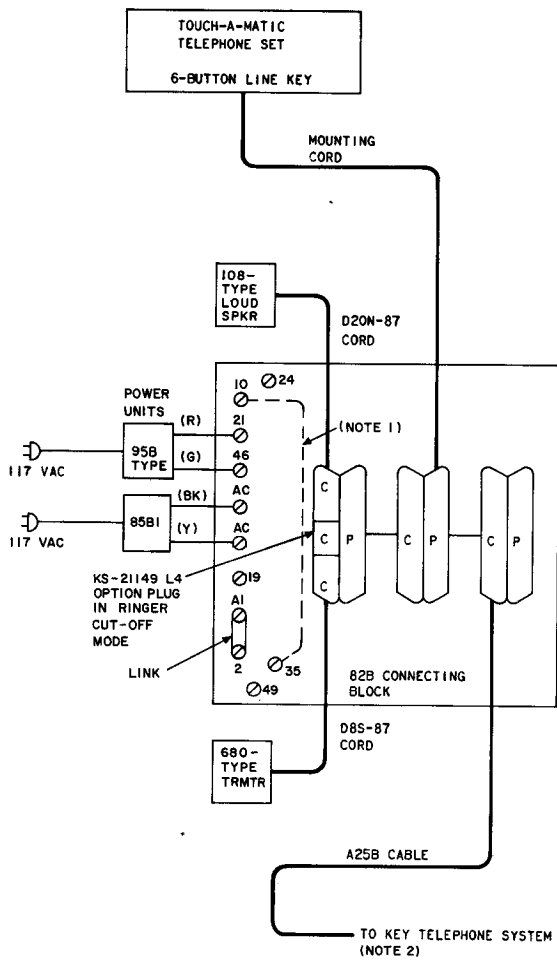


Fig. 10—“I” Hold, Exclusion, Station Busy Lamp, and Add-On Conferencing—1A1 and 1A2 KTS (Showing 5th Key Modified)◆



NOTE: DISCONNECT THE (V-BL) AND (BL-V) LEADS IN THE CABLE AT KEY SYSTEM END

Fig. 11—Block Diagram—2872A1M (MD) or 2872A2M Telephone Set Using 3B (MD) Speakerphone



- NOTES:
1. STRAP NECESSARY ONLY IF SET IS ALSO EQUIPPED WITH DIAL TONE DETECTOR TO PROVIDE ONE-TOUCH CALLING OPTION.
 2. IF POWER IS PROVIDED THROUGH KEY CABLE, USE (BR-V) PAIR FOR 85-TYPE POWER UNIT AND STRAP 24 TO AC1 AND 49 TO AC2 ON 82B CONNECTING BLOCK.

Fig. 12—Block Diagram—2872A1M (MD) or 2872A2M Telephone Set Using 4A Speakerphone

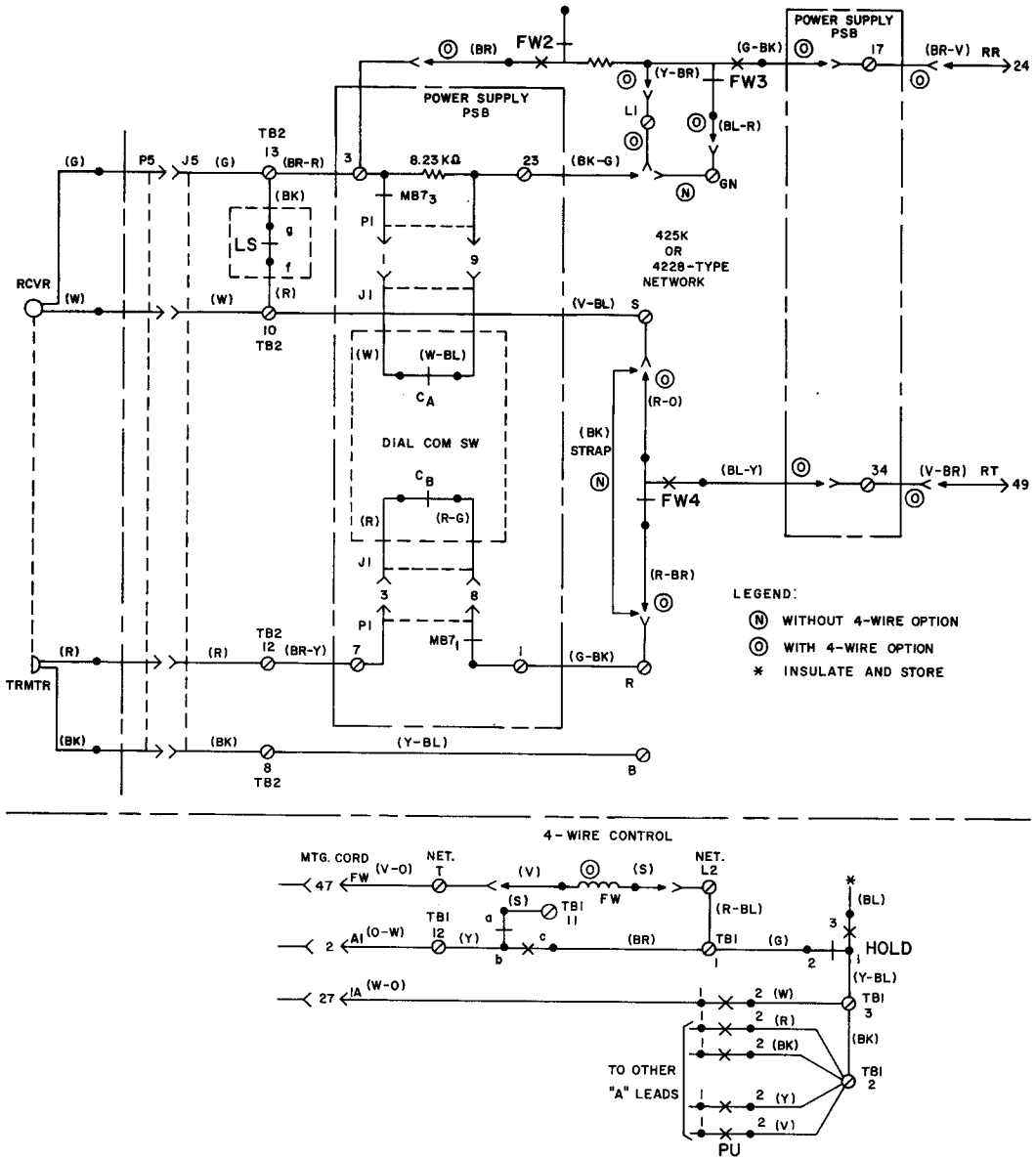
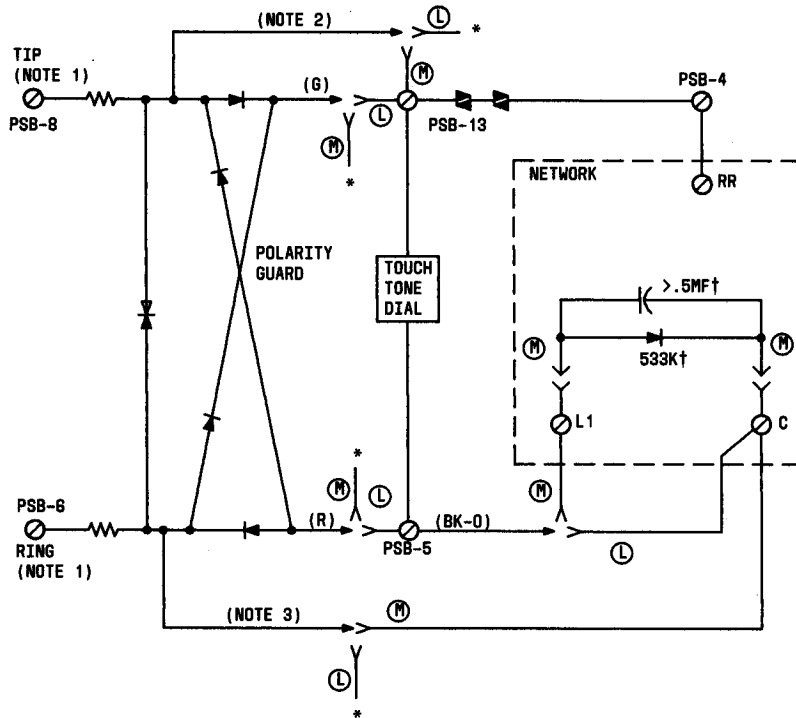


Fig. 13—2872A1M (MD) or 2872A2M Telephone Set—2/4-Wire Connections



- * INSULATED AND STORED
- † DIODE AND CAPACITOR ORDERED AND INSTALLED SEPARATELY
- (L) WITHOUT RESTRICTED DIALING (FACTORY WIRED)
- (M) WITH RESTRICTED DIALING

NOTES:

1. REVERSE POLARITY ON TIP AND RING LEADS ON ALL LINES WITH RESTRICTED DIALING
2. FOR 2872A1M SET - (Y)
FOR 2872A2M SET - (BL)
3. FOR 2872A1M SET - (BL)
FOR 2872A2M SET - (Y)

Fig. 14—2872A1M (MD) or 2872A2M Telephone Set, Connections for Restricted Dialing Option

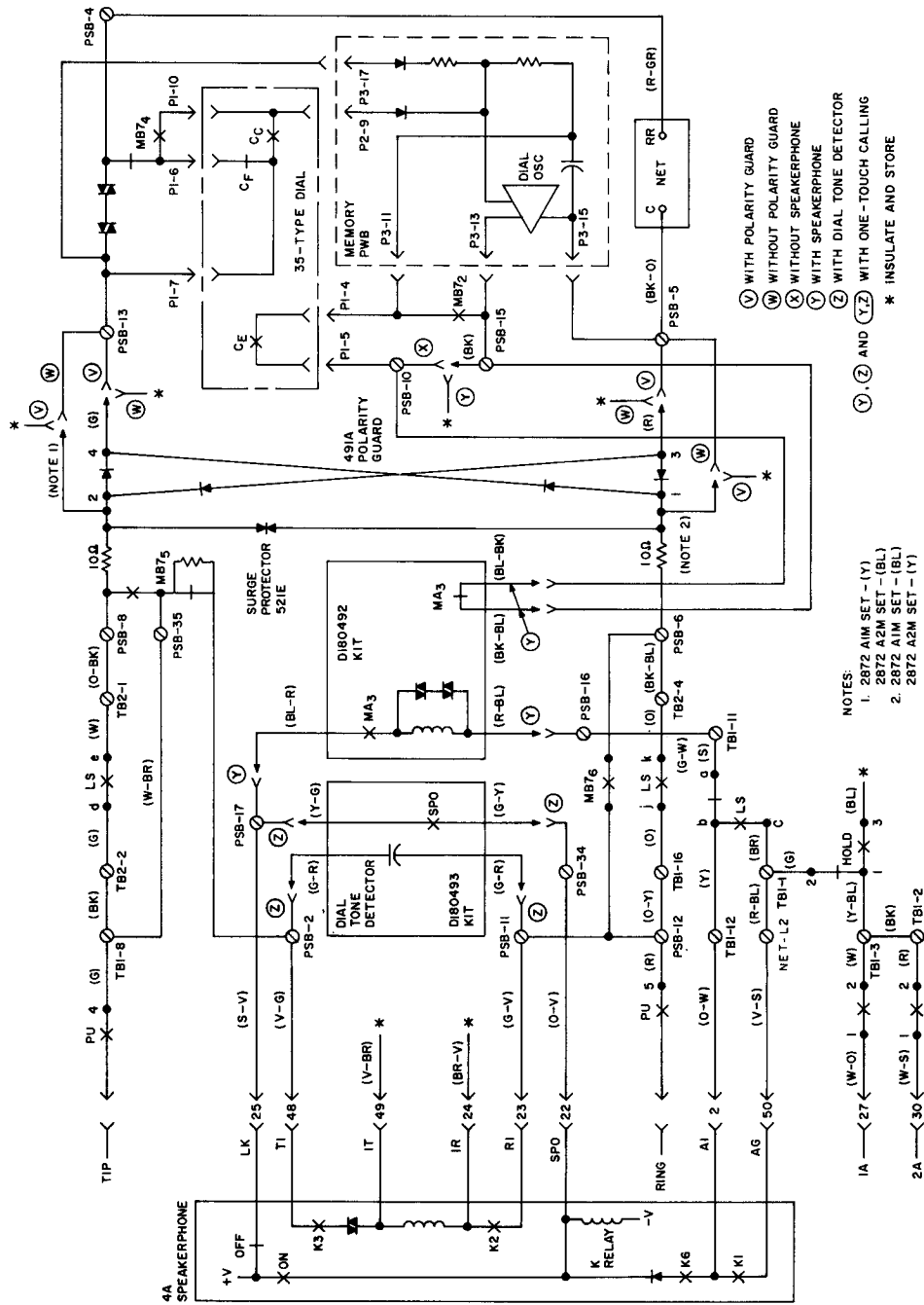


Fig. 15—2872A1M (MD) or 2872A2M Telephone Set, Partial Functional Schematic

♦ TABLE N ♦

TROUBLE ANALYSIS – 2872A1M OR 2872A2M

| TROUBLE NUMBER | FAILURE | ADDITIONAL SYMPTOM | POSSIBLE CAUSE | REMEDIAL ACTION |
|----------------------------------------------|--------------------------------------------------------|-----------------------------------------------------------------------------------------------------------|------------------------------------------------------------------------------|---------------------------------------------------------------------------|
| 1 | Dead set on all lines | Line lamp does not come on when handset is taken off-hook | Mounting cord improperly inserted at equipment end | Check cord insertion and connections |
| | | Line lamp comes on when handset is taken off-hook | Bad connection between handset and telephone set | 1. Check handset cord connections 2. Check handset jack connections |
| | | | Defective receiver | Check handset |
| | | | Unknown | Replace telephone set* |
| | | Dial tone is not present when speakerphone is on | Open tip or ring lead at line key | Check leads and connections from contact strips |
| Dial tone is present when speakerphone is on | Defective line switch d-e or j-k contacts | Replace telephone set* | | |
| 2 | Cannot transmit or receive when off-hook using handset | Line lamp comes on | Handset cord improperly inserted into handset or jack in telephone set | Check handset cord and/or handset |
| | | Dial tone present, but sidetone absent. No audible TOUCH-TONE® signal | 12-pin connector or dial not properly inserted on pins on power supply board | 1. Check connector insertion 2. Replace dial |
| | | | Defective 616B jack | Replace 616B jack |
| | | | Defective network | Replace telephone set* |
| 3 | Cannot manually dial when off-hook | Clicking sounds or damped TOUCH-TONE signals heard when dial buttons are depressed Cannot hang up set. | Bridged set off-hook | Place bridged set on-hook |
| | | | No audible TOUCH-TONE signal present | 20-pin power supply connector not properly inserted on pins on memory PWB |
| | | Dial connectors not properly inserted | | 1. Check connector insertion 2. Replace dial |
| | | Defective memory PWB | | Replace memory |
| | | Unknown | Replace telephone set* | |
| Some TOUCH-TONE dial frequencies incorrect | Static discharge damage | 1. Consult Telco engineer for proper grounding procedure 2. Replace memory | | |
| 4 | Cannot manually dial some digits when off-hook | | Open or loose leads to dial contacts | Check for proper insertion of leads into 10-position dial connector |
| | | | Defective frequency contacts on dial | Replace dial |

*Refer to 6.02 (4).

◆ TABLE N (Contd) ◆

TROUBLE ANALYSIS – 2872A1M OR 2872A2M

| TROUBLE NUMBER | FAILURE | ADDITIONAL SYMPTOM | POSSIBLE CAUSE | REMEDIAL ACTION | |
|-------------------------------------------------------------|--------------------------------------------------------------|------------------------------------------------------------------------------------------------------------|--------------------------------------------------------------|------------------------------------------------|--------------------------------------------------------------------------------------------------|
| 4 (cont'd) | | | Defective memory PWB | Replace memory. | |
| | | | Unknown | Replace telephone set* | |
| 5 | Cannot manually dial off-hook for ac power failure condition | Can manually dial off-hook with ac power | Open strap lead between screw terminals 10 and 15 on PSB | Repair or replace strap lead | |
| | | | Open path on PSB | Replace telephone set* | |
| 6 | RECORD lamp does not function properly | RECORD lamp does not turn on when RECORD button is depressed or RECORD lamp is on and cannot be turned off | Battery not plugged in, or defective | Plug in or replace battery | |
| | | | RECORD lamp does not turn on when RECORD button is depressed | AC power not present | Check for commercial power |
| | | | | Switch of D-180818 Kit of Parts in ON position | Change switch position to OFF |
| | | | | AC power unit not plugged in or defective | Check or replace power unit (should read 13.4 to 18 VAC across screw terminals 30 and 31 on PSB) |
| | | | | Open in IW | Check IW and connection |
| | | | | Memory, RECORD OFF, or WAIT button stuck down | Clear stuck button |
| | | | | Defective lamp or lamp driver circuit | Replace memory |
| | | | | Defective logic reset switch on line key | Replace line key |
| | | | | Static discharge damage | 1. Consult your Telco engineer for proper grounding procedures 2. Replace memory |
| | | | | Unknown | Replace telephone set* |
| | | | 7 | Cannot record into memory | RECORD lamp momentarily flashes when RECORD button is depressed |
| Wait contacts closed even when WAIT button is not depressed | 1. Check WAIT button 2. Replace memory | | | | |

*Refer to 6.02 (4).

♦ TABLE N (Contd) ♦

TROUBLE ANALYSIS – 2872A1M OR 2872A2M

| TROUBLE NUMBER | FAILURE | ADDITIONAL SYMPTOM | POSSIBLE CAUSE | REMEDIAL ACTION | | |
|----------------|---------------------------------------------------------------------------------------------|---------------------------------------------------------------------------------------------------------------------------------------------------------------------------------------|-------------------------------------------------------------|-------------------------------------------------------------------|--------------|---------------------------------------------|
| 8 | Cannot record properly into the 31 memory positions or into the LAST NUMBER DIALED position | Warble tones heard when automatically dialing. Get "cannot complete" intercept for automatic or manual dialing | WAIT contacts closed even when WAIT button is not depressed | Replace memory | | |
| | | | Switch of D-180818 Kit of Parts in ON position | Change switch position to OFF | | |
| | | Party is reached when number is recorded as it is manually dialed. However, when number is subsequently dialed from memory, party is not reached — wrong number is dialed from memory | Incorrect dial contact sequence | Replace dial | | |
| | | | Defective logic | Replace memory | | |
| | Open circuit on PSB | Replace telephone set* | | | | |
| 9 | Cannot dial properly from memory | | Did not record properly | 1. Record per 5.01 2. See No. 7 | | |
| | | MB7 relay does not operate (no clicking sound heard) when memory button is depressed. No audible TOUCH-TONE signal present | Battery not plugged in (2872A2M tel set) | Plug battery in | | |
| | | | Memory not securely mounted | Tighten memory mounting screws | | |
| | | | Open circuit in power path | Check for proper strap lead connections on PSB. See Fig. 9 [B] | | |
| | | | Defective logic | Replace memory | | |
| | | MB7 relay operates (clicking sound heard) but holds for less than 0.1 second for a 15 digit number | No audible TOUCH-TONE signal present | Incorrect dial sequence | Replace dial | |
| | | | | | | Audible gap in train of digits being dialed |
| | | | | | | |
| | | Digits dialed too rapidly (fast dialer) | Noise on ac power line (2872A1M) | Minimize wire length between 95B1 power unit and telephone set. | | |
| | | | Defective power supply PWB assembly (2872A2M) | Replace telephone set* | | |

* Refer to 6.02 (4).

♦ TABLE N (Contd) ♦

TROUBLE ANALYSIS – 2872A1M.OR 2872A2M

| TROUBLE NUMBER | FAILURE | ADDITIONAL SYMPTOM | POSSIBLE CAUSE | REMEDIAL ACTION |
|------------------------------------------------------------------------------------------------------------------|-----------------------------------------------------------------------------------------------------|-----------------------------------------------------------------------------------------------------------------------|-----------------------------------------------------------|----------------------------------------------------------------------------------------------------------------------------------------------------------------------------------------------------------------------------------------------------------------------------------------------------------------------------------------------------------|
| 9 (cont'd) | | No digits or random digits in memory | AC power outage for 24 hours or longer | Reestablish ac power and rerecord numbers into memory |
| | | | Disconnected or defective battery | <ol style="list-style-type: none"> 1. Plug in the battery 2. Allow the battery to be charged for a minimum of 5 minutes. Then momentarily remove the 95B1 power unit from the ac power outlet and reinsert 3. If previously stored numbers are not dialed from memory, replace the battery 4. Repeat procedure |
| | | | Defective power supply circuit | Replace telephone set* |
| | | No digits or all the same digits in random memory locations | Defective memory | Replace memory |
| | | Two or more memory locations have some digits which are usually different from originally recorded digits | Static discharge damage | <ol style="list-style-type: none"> 1. Consult your Telco engineer for proper grounding procedures 2. Replace memory |
| Automatically dials through a "wait" after pausing momentarily at the "wait" space on a train of recorded digits | Defective WAIT contacts or defective circuit components | Replace memory | | |
| | | | Defective dial tone detector | Replace dial tone detector PWB assembly of D-180493 Kit of Parts (if option is provided). |
| 10 | Cannot manually dial off-hook for ac power failure condition (Wired for speakerphone option) | With a strap lead between screw terminals 10 and 15 on PSB, can manually dial off-hook for ac power failure condition | Defective circuit or connections on D-180492 Kit of Parts | <ol style="list-style-type: none"> 1. Check connections per Table B, C, D, or E 2. Replace D-180492 Kit of Parts |
| 11 | Cannot turn speakerphone on when ON button is depressed (Wired for speakerphone option) | Speakerphone indicator lamp does not turn on, but line lamp is lit. | Handset off-hook | Place handset on-hook |
| | | No dial tone heard, but indicator lamp turns on | Line button not depressed | Depress line button |
| | | Speakerphone indicator lamp does not turn on and neither does line lamp | Improper connections or defective 85B1 power unit | <ol style="list-style-type: none"> 1. Check connections per Table B, C, D, or E 2. Check for commercial power 3. Check that 85B1 power unit is plugged into commercial ac power outlet 4. Check or replace 85B1 power unit (should read 18 to 25 VAC across secondary screw terminals) |

*Refer to 6.02 (4).

♦ TABLE N (Contd) ♦

TROUBLE ANALYSIS – 2872A1M OR 2872A2M

| TROUBLE NUMBER | FAILURE | ADDITIONAL SYMPTOM | POSSIBLE CAUSE | REMEDIAL ACTION |
|----------------|--------------------------------------------------------------------------------------------------------|---------------------------------------------------------------------------------------------------------------------------------------------------------------|--------------------------------------------------------------------------------------|-----------------------------------------------------------------------------------------------------------------------------|
| 11 (cont'd) | | Speakerphone indicator lamp does not turn on but line lamp lights | Improper connections or defective 95B-Type power unit | 1. Check connections 2. Check or replace power unit (should read 13.4 to 18 VAC across screw terminals 30 and 31 on PSB) |
| | | With temporary strap lead added between power supply screw terminals 16 and 17, speakerphone turns on when ON button is depressed | Defective 327A relay, MA3 relay or connecting leads on D-180492 Kit of Parts | Replace D-180492 Kit of Parts |
| | | When temporary strap lead added between screw terminals 11 and 12 on TB1, speakerphone turns on when ON button is depressed | Defective line switch a-b contacts or connecting lead to PSB | 1. Check (G-W) harness lead between screw terminal 11 on TB1 and terminal 16 on PSB 2. Replace telephone set* |
| | | | Defective speakerphone | See appropriate speakerphone BSP |
| 12 | Cannot turn speakerphone off when handset is lifted off-hook (Wired for speakerphone option) | Speakerphone turns off when OFF button is depressed but turns back on when OFF button is released | Short circuit between screw terminals 11 and 12 on TB1 | Clear short |
| | | | Defective line switch a-b contacts | Replace telephone set* |
| 13 | RECORD lamp does not turn off when speakerphone ON button is depressed (Wired for speakerphone option) | Speakerphone indicator lamp does not turn on. Line lamp is lit | Handset off-hook | Place handset on-hook |
| | | With temporary strap lead added between screw terminals 16 and 17 on power supply, speakerphone turns on when ON button is depressed and RECORD lamp goes off | LK relay circuit defective on D-180492 Kit of Parts | Replace D-180492 Kit of Parts |
| | | Operation of RECORD OFF button or line key buttons turns RECORD lamp off | Defective line switch h-i contacts | Replace telephone set* |
| 14 | Cannot break dial tone when dialing with speakerphone on (Wired for speakerphone option) | Cannot manually dial when off-hook | Refer to trouble number 3 | Refer to trouble number 3 |
| | | When dial button is depressed, audible level of TOUCH-TONE signal is high on speakerphone | Defective muting circuit on PSB | Replace telephone set* |
| 15 | Cannot hear tones when dialing with speakerphone on (Wired for speakerphone option) | With the speakerphone ON button depressed, the audible tone level is normal | Physical spacing between speakerphone loudspeaker and transmitter units is too close | See appropriate speakerphone BSP for proper placement of units |
| | | Normal conversational level on speakerphone | Defective muting circuit on PSB | Replace telephone set* |

*Refer to 6:02 (4).

◆ TABLE N (Contd) ◆

TROUBLE ANALYSIS – 2872A1M OR 2872A2M

| TROUBLE NUMBER | FAILURE | ADDITIONAL SYMPTOM | POSSIBLE CAUSE | REMEDIAL ACTION |
|----------------|----------------------------------------------------------------------------------------------------------------------------------------|---------------------------------------------------------------------------------------------------------------------------|---------------------------------------------------------------|--------------------------------------------------------------------------------------------------------------|
| 16 | Cannot turn speakerphone off (Wired for one-touch option) | Speakerphone turns off when OFF button is depressed but turns on when OFF button is released | Black strap lead to PSB-27 was not insulated and stored | Remove the strap lead |
| | | Speakerphone turns off and stays off when (Y-BL) lead is disconnected from terminal 27 on PSB and OFF button is depressed | Defective output logic level from memory PWB | Replace memory |
| | | Speakerphone turns off when handset is taken off-hook but turns on when handset is placed on-hook | Defective circuit on D-180493 Kit of Parts | Replace dial tone detector board assembly of D-180493 Kit of Parts |
| 17 | Speakerphone does not turn on when a memory button is momentarily depressed in the automatic dialing mode (Wired for one-touch option) | MB7 relay does not operate (no click heard) when memory button is depressed | Battery not plugged in (2872A2M set) | Plug battery in |
| | | | 3B (MD) speakerphone: V-BR lead connected to PSB-34 | Insulate and store V-BR lead, and connect O-V lead to PSB-34 |
| | | | 4A speakerphone installed using 82A connecting block | Change to 82B connecting block |
| | | | 4A speakerphone with 82B block: strap not placed on 82B block | Add strap from terminal 10 to 35 in 82B block |
| | | With temporary strap between screw terminals 28 and 29 on PSB, speakerphone turns on when a memory button is depressed | One-touch calling switch turned off or defective | 1. Turn one-touch calling switch on 2. Replace one-touch calling switch assembly of D-180493 Kit of Parts |
| | | | Defective dial tone detector D-180493 Kit of Parts | Replace dial tone detector PWB assembly of D-180493 Kit of Parts |
| | | With temporary strap between screw terminals 17 and 34 on PSB, speakerphone turns on. | Defective connections between dial tone detector and PSB | Check (Y-G) and (G-Y) leads to PSB terminals 17 and 34, respectively |
| | | | Defective dial tone detector D-180493 Kit of Parts | Replace dial tone detector PWB assembly of D-180493 Kit of Parts |
| 18 | Delay time between depression of a memory button and initiation of automatic dialing exceeds 3 seconds (Wired for one-touch option) | | Defective timing circuit | 1. Replace memory 2. Replace dial tone detector PWB assembly of D-180493 Kit of Parts |

*Refer to 6.02 (4).

♦ TABLE N (Contd) ♦

TROUBLE ANALYSIS – 2872A1M OR 2872A2M

| TROUBLE NUMBER | FAILURE | ADDITIONAL SYMPTOM | POSSIBLE CAUSE | REMEDIAL ACTION |
|----------------|-------------------------------------------------------------------------------------------------------------------------------|-------------------------------------------------------------------------------------------------|--------------------------------------------------------------------------------------|--------------------------------------------------------------------------------------------------------------------------------------------------------------------------------------|
| 19 | Speakerphone turns on but set does not automatically dial when memory button is depressed (Wired for one-touch option) | | Black strap leads were not lifted from PSB terminals 19 and 26 when option was wired | Insulate and store strap leads. |
| | | Set dials when screw terminals 26 and 29 on PSB are temporarily shorted | Precise dial tone not present | 1. Check CO line for presence of precise dial tone (350 Hz and 440 Hz) 2. If correct dial tone is present, replace dial tone detector PWB assembly of D-180493 Kit of Parts |
| | | Set does not dial from memory when screw terminals 26 and 29 on PSB are temporarily shorted | Defective logic | Replace memory |
| 20 | Automatic dialing commences for no apparent reason (wired for one-touch option) | | Static discharge damage | 1. Consult your Telco engineer for proper grounding procedures 2. Replace memory |
| 21 | Calls not completed if handset is quickly taken off-hook while automatically dialing on a speakerphone | Automatic dialing is terminated before all digits are dialed | Marginal switchhook sequence between a-b and h-i contacts | Remove handset more slowly from handset cradle |
| 22 | Set dials automatically but does not wait for dial tone (Wired for one-touch calling) | | Noise on line | 1. Add 5 μ f capacitor between PSB-21 and PSB-26 2. Remove above capacitor and add resistor (10K Ω -50K Ω) in series with (G-R) dial tone detector input lead. |
| 23 | Cannot dial properly from memory when on handset (Wired with dial tone detector option) | MB7 relay does not operate (no click heard) when memory button is depressed. | Battery not plugged in (2872A2M tel set) | Plug battery in |
| | | | Precise TOUCH-TONE [®] dial tone may not be present | Make sure precise (350 Hz and 440 Hz) dial tone is present |
| | | | Memory not securely mounted | Tighten memory mounting screws |
| | | | Improper installation of dial tone detector, D-180493 | Check connections for D-180493 installation |
| | | Same as above – Addition of strap lead between PSB terminals 26 and 29 does not correct problem | Improper connection to or defective memory | 1. Check connector cable 2. Replace memory |
| | | Addition of strap lead between PSB terminals 26 and 29 corrects problem | Defective memory | Replace memory |
| | | | Defective dial tone detector | Replace D-180493 dial tone detector |
| Unknown | Replace telephone set* | | | |

*Refer to 6.02 (4).

◆ TABLE N (Contd) ◆

TROUBLE ANALYSIS – 2872A1M OR 2872A2M

| TROUBLE NUMBER | FAILURE | ADDITIONAL SYMPTOM | POSSIBLE CAUSE | REMEDIAL ACTION |
|----------------|------------------------------------------------------------------------|--------------------|---------------------------|-----------------------------------------------------------------------------------|
| 24 | Hum or Noise caused by electrical apparatus (light dimmer switch, etc) | | Unbalanced telephone line | Check for unintentional connections that might cause an unbalanced telephone line |

872A1M "TOUCH-A-MATIC®" TELEPHONE SET

IDENTIFICATION, INSTALLATION, CONNECTIONS, OPERATIONS, AND MAINTENANCE

| CONTENTS | PAGE | CONTENTS | PAGE |
|--------------------------------------------------------------------------------------------|------|---------------------------------------------------------|------|
| 1. GENERAL | 2 | COMPONENT LOCATION AND ACCESS INFORMATION | 18 |
| 2. IDENTIFICATION | 2 | A. Location of Components | 18 |
| A. Design Features | 2 | B. Mounting Cord | 19 |
| B. Optional Features | 3 | C. Network Terminals | 19 |
| C. Ordering Guide | 4 | D. Power Supply Board (PSB) Terminals | 20 |
| D. Operating Features | 6 | E. Line Key Removal | 20 |
| 3. INSTALLATION | 7 | F. Faceplate Removal | 21 |
| STANDARD INSTALLATION | 7 | G. Handset Cradle Removal | 22 |
| Installation Check Procedure | 8 | H. Housing Removal | 23 |
| OPTIONAL APPARATUS INSTALLATION | 10 | 4. CONNECTIONS | 23 |
| A. D-180568 Kit of Parts (With Speakerphone) | 10 | 5. OPERATION | 23 |
| B. D-180493 Kit of Parts (Dial Tone Detector and One-Touch Calling Switch) | 10 | A. Record A Number Into Memory | 23 |
| C. D-180494 Kit of Parts (2/4-Wire Service) | 13 | B. Change A Number In Memory | 25 |
| D. D-180818 Kit of Parts (Record Disable and Dial Intermix Features) | 13 | C. Delete A Number From Memory | 25 |
| E. Single-Line Service | 17 | D. Automatically Dial A Number From Memory | 25 |
| F. Head Telephone Set | 17 | E. LAST NUMBER DIALED Feature | 25 |
| | | 6. MAINTENANCE | 26 |

NOTICE

Not for use or disclosure outside the
Bell System except under written agreement

| CONTENTS | PAGE |
|--------------------------------|------|
| A. Trouble Analysis | 26 |
| B. Battery | 26 |
| C. Memory | 27 |
| D. Dial | 27 |
| E. 6-Button Line Key | 27 |
| F. Ringer | 27 |
| G. Buzzer | 28 |
| H. Handset Jack | 28 |
| I. Handset | 28 |
| J. Faceplate | 29 |
| K. Speakerphone | 29 |

1. GENERAL

1.01 This section contains information on the 872A1M (rotary dial) TOUCH-A-MATIC® telephone set (Fig. 1).

1.02 This section is reissued to:

- Revise Table A
- Add Fig. 6
- Show 3B speakerphone system MD
- Add safety information for the 95B1 power unit
- Revise Fig. 9 and 10
- Add 2012D transformer
- Add 533K diode.

1.03 The 872A1M telephone set is factory-wired for use with 1A1, 1A2, or 6A key telephone systems (KTS). It may be converted (Table K) for use with 1A KTS.

1.04 The telephone set is available in the following colors:

- Black (-03)
- Green (-51)
- White (-58)
- Lt. Beige (-60).

1.05 The 872A1 (MD) faceplate is available in only the satin-silver (-87) color.

1.06 The 872B1 decorative faceplates are available in the following colors:

- Teak Woodgrain (-108)
- Walnut Woodgrain (-109)
- Matte Aluminum (-122).

2. IDENTIFICATION

2.01 The 872A1M telephone set provides all standard features of a 6-button key telephone set plus automatic dialing of 31 frequently called numbers, and a LAST NUMBER DIALED *scratch pad* memory.

A. Design Features

2.02 Design Features:

- Modular key telephone set
- Convertible to single line operation
- Integrated circuit memory
- Common audible ringing
- Buzzer
- Busy lamp diode
- Line pickup buttons convertible to nonlocking signal buttons
- Memory buttons from which to select preprogrammed telephone numbers for automatic dialing

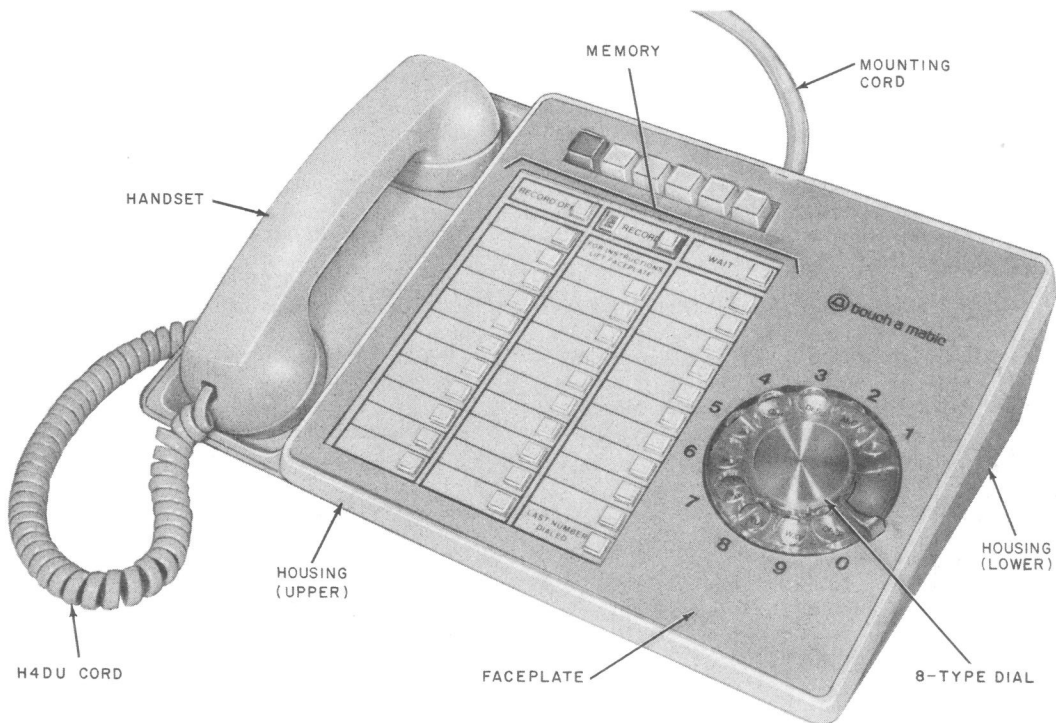


Fig. 1—872A1M Telephone Set

- Capability to record and automatically dial 31 telephone numbers of up to 15 digits each
- Last number dialed memory
- Plug-in battery
- Capability to pause for subsequent dial tones during automatic dialing (WAIT input).
- Speakerphone—either 3B (MD) or 4A speakerphone systems may be added to stations
- Dial Tone Detector—automatically starts dialer when precise TOUCH-TONE® dial tone (350 Hz and 440 Hz) is present.
- One-Touch Calling, (requires both dial tone detector and speakerphone)—depressing one memory button will automatically turn on speakerphone, detect dial tone, and dial complete number.

B. Optional Features

2.03 *Optional Features (Refer to Table A):*

- Decorative Faceplate

Note: All dial tones encountered in the process of placing a call must be precise TOUCH-TONE dial tone, if the call is to be completed automatically.

- D-180818 Kit of Parts provides the following features:

Note: Telephone set must be equipped with an 870B Memory.

- (a) Record Disable—turns off recording feature to prevent accidental erasures of previously stored numbers. No recording possible except for last number dialed memory which will store digits manually dialed from the telephone set.
 - (b) Record Disable and Dial Intermix Feature—digits dialed manually from telephone set dial and digits dialed automatically from memory may be intermixed without depressing RECORD OFF button. Memories cannot be altered and LAST NUMBER DIALED feature is inoperative.
- Station Busy Lamp
 - 2/4-Wire Service
 - Add-On-Conference
 - Exclusion (multiline)
 - Bridged Ringing
 - "I" Hold
 - Signaling
 - Restricted Dialing
 - Amplifying Handset
 - Head telephone set operation using jackset
 - End-to-end signaling using 1035C3A (MD) or 1035AF3A Dialed Adjunct (Section 501-164-130).

2.04 All options are implemented by:

- Wiring changes in the telephone set
- Installation of appropriate additional items.

C. Ordering Guide

2.05 Ordering Guide:

- (a) The 872A1M telephone set is a modular type telephone set and may be ordered complete and ready to install as.

- Set, Telephone, 872A1M-*

- (b) **Ordered Separately:**

- Unit, Power, 95B1 (required for operation of the automatic dialing feature)

Note: One power unit is required for each telephone set.

- Decorative Faceplate, 872B1-108 (Teak Woodgrain) or 872B1-109 (Walnut Woodgrain).

- (c) The 872A1M set is comprised of the following component parts:

- Housing (Lower) 870A1-*
- Housing, (Upper), 870A1U-* (used with 872B1 faceplate)
- Faceplate, 872A1-87 (MD)
- Faceplate, 872B1-122 (matte aluminum)
- Handset, G15A-*
- Cord, Handset, H4DU-*
- Base, Telephone Set, 872AM (includes the following):
 - Dial, 8EA-119
 - Key, 635BT5
 - 812365039 (P-23F503) Collar
 - Ringer, P1B
 - Network, 425K or 4228-type
 - Buzzer, KS-20419L1
 - Cord, Mounting, D50BB-87

* Add appropriate color suffix (paragraph 1.04).

♦ TABLE A ♦

OPTIONS

| OPTION | | ADDITIONAL ITEMS REQUIRED | CONNECTION PER | |
|-----------------------|--------------------------------------|---------------------------|----------------|-------|
| | | | FIGURE | TABLE |
| Speakerphone* | 4A | 108AA Loudspeaker | 12 | D, E |
| | | 680AE Transmitter | 12 | D, E |
| | | 82B Connecting Block | 12 | D, E |
| | | 85B1 Power Unit | 12 | D, E |
| | | D-180568 Kit of Parts | 9 (C) | D, E |
| | 3B (MD) | 760A (MD) Loudspeaker | 11 | B, C |
| | | 666B (MD) Transmitter | 11 | B, C |
| | | 55-Type (MD) Control Unit | 11 | B, C |
| | | 2012D Transformer | 11 | B, C |
| | | 149B Adapter | | B, C |
| One-Touch Calling | D-180493 Kit of Parts | 9 (D, E) | C or E | |
| | Speakerphone | 9 (B) | | |
| Dial Tone Detector | D-180493 Kit of Parts | 9 (D) | C, E, or F | |
| Station Busy Lamp | | 10 | | |
| "I" Hold | | 10 | | |
| Signaling | | | M | |
| Exclusion (Multiline) | | 10 | | |
| Add-On-Conference | | 10 | | |
| Bridged Ringing | | | H, I | |
| 2/4 Wire Service* | D-180494 Kit of Parts | 13 | G | |
| 1A Key Service | | | K | |
| Amplifying Handset | G6BM, G7BM, or G8BM Handset | 9 (H) | | |
| Restricted Dialing | 533K Diode | 14 | | |
| Record Disable | D-180818 Kit of Parts (See Note) | | L | |
| Dial Intermix | | | | |
| Decorative Faceplate | 872B1-108 (Teak)† | | | |
| | 872B1-109 (Walnut)† | | | |

◆TABLE A (Contd)◆

OPTIONS

| OPTION | ADDITIONAL ITEMS REQUIRED | CONNECTION PER | |
|------------------------------|--------------------------------------------------|------------------------------------------|-------|
| | | FIGURE | TABLE |
| Head Telephone Set Operation | Plantronics Jackset Model JS0180-1A or JS0180-2A | Tables provided with Plantronics Jackset | |
| | Desired Head Telephone Set † | | |

Note : If set is equipped with an 870A memory, replace with an 870B memory.

* D-Kits for 2/4 wire service and speakerphone are designed to mount in the same place in the set. If both services are to be provided simultaneously, consult your Telco engineer.

† An 870A1U upper housing may be required (paragraph 6.11).

‡ The KS-19796, KS-20778, 52-, 53-, and 60-type headsets are registered with the Jackset Models.

Battery, KS-20390L4 or KS-20390L2

Jack, Handset, 616B

Memory, 870B

841382617 Power Supply Printed Wiring Board (PSB) Assembly

840393672 Directory Sheet Set

Booklet, Instruction, Subscriber, SIB-2455B

(d) **Optional Apparatus (order as required):**

- Kit of Parts, D-180568 (must be used for speakerphone service)
- Kit of Parts, D-180493 (Dial Tone Detector and One-Touch Calling switch)
- Kit of Parts, D-180494 (for conversion to 4-wire service)
- Kit of Parts, D-180818 (Record Disable and Dial Intermix)

Note: This kit of parts may be used only with sets equipped with an 870B Memory.

- Faceplate, 872B1-†

Note: If set is equipped with an 872A1-87 faceplate, then an upper housing (870A1U-*) of the appropriate color must also be ordered.

- Handset, Amplifying (G6BM, G7BM, or G8BM)

- Set, Head Telephone [using Plantronics Jackset Model JS0180-1A (1-1/2 foot cord) or JS0180-2A (6 foot cord)]

D. Operating Features

2.06 Operating Features (Fig. 2).

- Line key (635BT5), 6-button key. Hold with five line pickup buttons which are convertible to nonlocking. An additional momentary contact (logic reset switch) is attached to the hold side of the key to reset the logic circuit anytime a key button is depressed.
- 32-button array of low force, low travel, nonlocking memory buttons arranged in three columns. Left and right columns have eleven buttons, center column has ten buttons.
- LAST NUMBER DIALED button, located in lower right corner of memory array, when momentarily depressed, automatically redials the last number manually dialed.

*Add appropriate color suffix (paragraph 1.04).

†Add appropriate color suffix (paragraph 1.06).

- RECORD button (nonlocking), when momentarily depressed, lights the RECORD lamp and enables the memory circuits to store telephone numbers.
- RECORD OFF button (nonlocking), when momentarily depressed extinguishes the RECORD lamp, indicating that the dialer is switched out of the record mode.
- WAIT button (nonlocking), when momentarily depressed during recording operation, enters a code into memory to initiate a halt in the automatic dialing sequence [used where access digit(s) required].

3. INSTALLATION

STANDARD INSTALLATION

3.01 Make all wiring changes and telephone set modifications (Table A) before external connections are made to the set, see Fig. 9 and Table J.

Warning: Do not plug in either battery or power unit until all connections and modifications are complete. Take extreme care not to damage the exposed components, circuit, etc. when the set is opened.

3.02 The set is shipped from the factory with the battery disconnected. After all wiring changes and modifications have been completed, connect the battery (Fig. 7), by tilting the set up, and inserting the battery plug into the mating jack.

Note: Wire date of installation on label provided on battery.

3.03 Install the 95B1 power unit within 150 feet (24 gauge conductors) of the telephone set and plug into an ac outlet not controlled by a switch (continuous ac power is required). A retaining clamp (841050818) will be shipped with the 95B1 power unit and should be mounted to the ac receptacle to hold power unit securely and prevent accidental loss of power. The power unit may be located at the equipment end of the cable or run directly into the telephone set by conductors separate from the mounting cord and connected to PSB terminals 24 and 25. When separate power

conductors are used, disconnect, insulate, and store the (BL-V) and (V-BL) mounting cord leads from PSB terminals 24 and 25.

Danger: *Securely attach retaining clamp to ac outlet using outlet cover screw BEFORE attempting to install 95B1 power unit. The power unit and any other cord plugged into the ac outlet should always be unplugged completely from the outlet BEFORE attempting to attach or remove the retaining clamp. This will prevent the possibility of a loosened retainer clamp or metallic outlet cover making contact with the ac prongs of the power unit when partially withdrawn from outlet. Do not use retaining clamps on outlets where the cover mounting screw holds the duplex outlet in the box.*

Warning: Care should be taken to trim and dress leads connecting to low voltage output terminals of 95B1 power unit to assure that inadvertent connection to conducting surfaces or other power source does not occur. If more than one power unit is plugged into a multiple receptacle power strip, there must be at least one inch separation between power units. Only UL listed receptacle power strips with adequate power rating shall be used. Use of a continuous terminal power strip that allows the secondary output terminals of the power unit to be in close proximity to the ac line source is not recommended.

Note: The 95B1 power unit must be located no closer than 1-1/2 feet from the telephone set in order to prevent a noise problem.

3.04 The station number card shall be placed in the plastic fingerwheel of the dial. The silver disc provided with the dial shall be retained under the number card.

3.05 The directory sheets (Fig. 2) fit over the buttons of the memory and are held in place

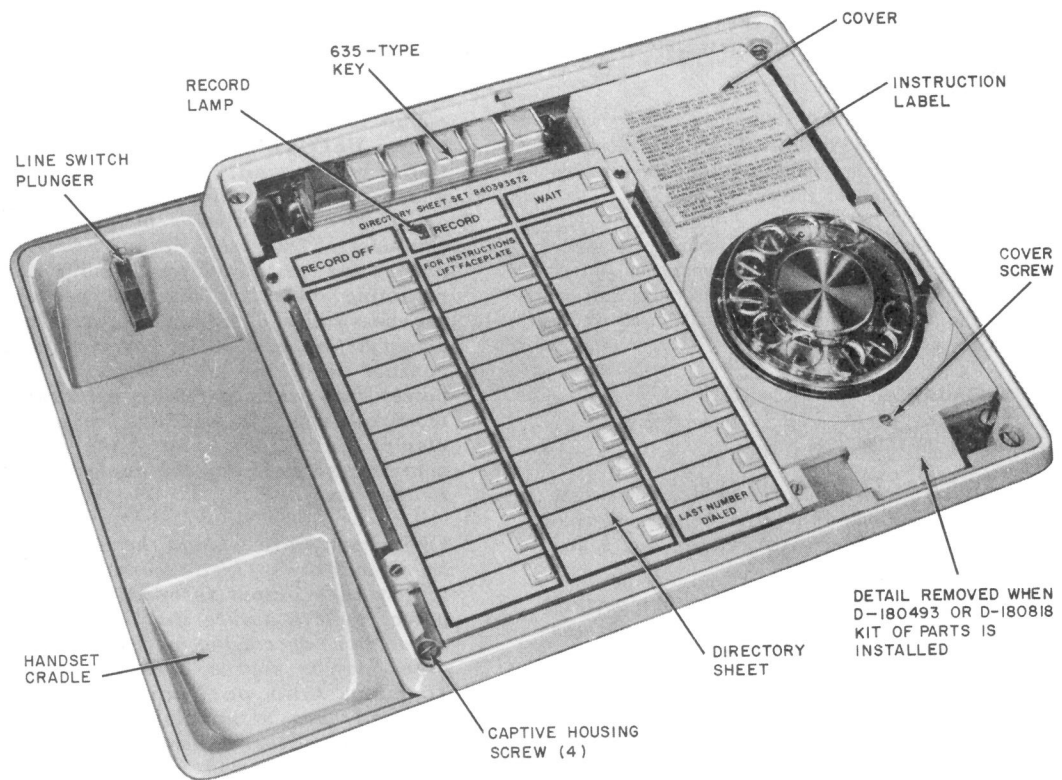


Fig. 2—872A1M Telephone Set—Faceplate and Handset Removed

by the faceplate. Additional sheets are available in directory sheet set, 840393672.

3.06 To designate the 635-type 6-button key.

- (1) Use Form 5837 tabs.
- (2) Squeeze the key button caps gently and remove.
- (3) Insert the tabs.
- (4) Replace the caps so that small bumps on side of caps are on sides of buttons.

Installation Check Procedure

3.07 Check telephone set installation per the following tests (refer to Part 5 for operation). In case of failure, refer to Table N, Trouble Analysis.

- (1) Disconnect the power unit and manually dial a known telephone number to check that the telephone operates correctly in the absence of commercial power.
- (2) Reconnect the power unit to ac outlet.
- (3) With the handset on-hook, record known telephone numbers, storing consecutive digits of the numbers in sequential memory locations.

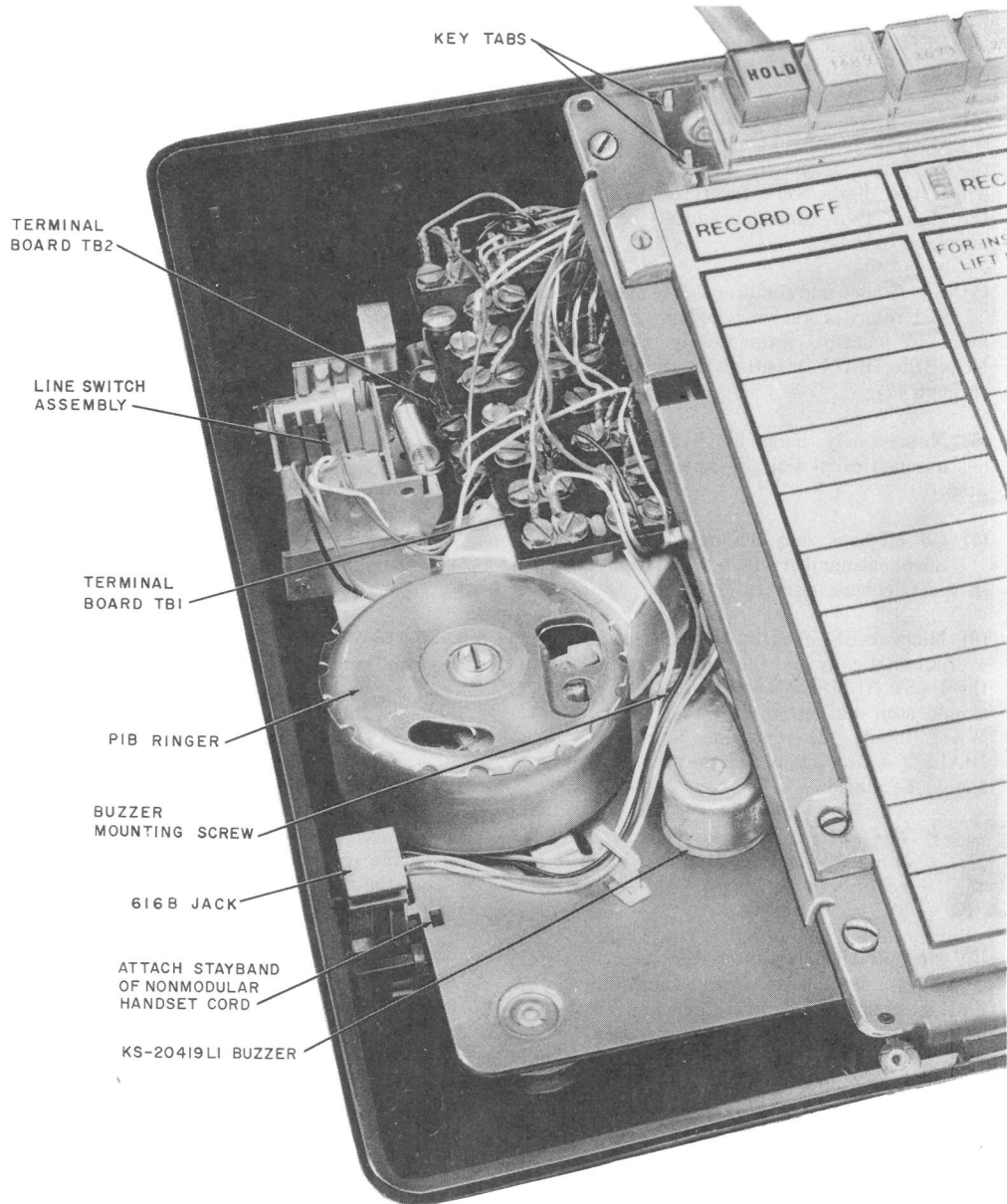


Fig. 3—872A1M Telephone Set With Faceplate, Upper Housing, Handset, and Handset Cradle Removed

Fill all memory locations except LAST NUMBER DIALED and location immediately above it [paragraph 5.01 (4) through (7)].

(4) Automatically dial the telephone numbers stored in Step (3) by momentarily depressing the memory buttons in the same sequence in which the digits were recorded. Verify that the digits thus dialed produce the expected telephone numbers.

(5) Go off-hook and simultaneously manually dial and record a known telephone number into memory location immediately above LAST NUMBER DIALED button [paragraph 5.01 (4) through (7)].

(6) Momentarily hang up handset and then automatically dial the number recorded in Step (5).

(7) Go off-hook and manually dial a known telephone number with a WAIT input inserted in the telephone number.

(8) Momentarily hang up the handset and then automatically dial the number by depressing the LAST NUMBER DIALED button. The set should stop dialing when it reaches the stored WAIT input. Depress the LAST NUMBER DIALED button again and the remaining digits should be dialed.



The battery and power unit must be connected a minimum of five minutes before doing Step (9).

(9) Momentarily disconnect the power unit (for 5 to 10 seconds). After reconnecting power unit, momentarily depress memory buttons in same sequence in which digits were recorded in Step (3). Verify that the correct telephone numbers are dialed.

(10) Dial the appropriate code for ring-back to test the ringer.

(11) Check operation of the logic reset switch by pressing the RECORD button (RECORD lamp will come on) and subsequently pressing an unoperated line button. (RECORD lamp must go out.)

(12) If equipped with one-touch calling option, (D-180493 Kit of Parts and speakerphone), and with set in on-hook condition, depress the memory button used in Step (5). The speakerphone should turn on, dial tone should be detected, and the stored number should be automatically dialed.

OPTIONAL APPARATUS INSTALLATION

A. D-180568 Kit of Parts (With Speakerphone)

3.08 To install.

(1) Proceed as described in paragraph 3.17.

(2) Make connections per one of the appropriate Tables, B through E.

(3) Mount the kit assembly to the chassis with the screws provided (Fig. 4). Beveled corner of printed wiring board (PWB) should be at lower right corner.

B. D-180493 Kit of Parts (Dial Tone Detector and One-Touch Calling Switch)

3.09 To install.

(1) Remove the housing (paragraph 3.21), and access PSB terminal board (paragraph 3.17).

(2) Insert the board assembly from the back of the set and locate as shown in Fig. 4, such that the two tabs on the board assembly fit into the slots in the bottom of the chassis.

(3) Lock the board into position by inserting the self-threading screw through the right side of the chassis.

(4) Mount the one-touch calling switch below the dial with the two screws provided.

Note: If switch for D-180818 Kit of Parts is already present, the one-touch calling switch can not be installed. The PSB terminals to which the switch leads are normally connected (Table C or E), shall be strapped together. (The one-touch calling option can not be turned off by the subscriber.)

(5) Make connections per Table C, E, or F.

◆ TABLE B ◆

CONNECTIONS – 872A1M TELEPHONE SET WITH 3B (MD) SPEAKERPHONE ONLY

| APPARATUS | LEAD | | 872A1M TEL. SET (NOTE 1) | | CONNECT | | |
|----------------------------------|---------|-----------------|--------------------------------|-----|--------------|-----|-----------------------------|
| | DESIG | COLOR | | | FROM | | TO |
| | | | | | CONT UNIT | | 149B ADPT (DIOR CORD) |
| | FROM | TO PSB TERM. | 55A | 55B | TERM. | | |
| 872A1M Tel Set | T1 | V-G | * | 2 | 19 | 1 | 8A |
| | R1 | G-V | * | 9 | 28 | 10 | 7A |
| | A1 | | | | 12 | 2 | A1 |
| | AG | V-S | * | L2† | 5 | 11 | 12A |
| | LK | S-V | * | 13 | 11 | 35 | 11A |
| | P3 | V-BR | * | 3 | 21 | 4 | 10A |
| | P4 | BR-V | * | 6 | 30 | 13 | 9A |
| | R or R1 | | | | 18 | 34 | 1B |
| | R or R1 | | | | 9 | 25 | 1A |
| | B or B1 | | | | 17 | 33 | 2B |
| | B or B1 | | | | 8 | 24 | 2A |
| D-180568 Kit of Parts | LK | BL-R | | 13 | | | |
| | SHi | G-W | | 14 | | | |
| | SHa | R-BL | | 16 | | | |
| | VDD | W-G | | 17 | | | |
| 666B (MD) TRMTR (T7A Cord) | M1 | S-BK | | | 4 | 7 | |
| | P1 | BL-R | | | 13 | 8 | |
| | -15V | BK-S | | | 14 | 16 | |
| | S | O-BK | | | 3 | 18 | |
| | A1 | Y-O | | | 29 | 19 | |
| | F1 | G-Y | | | 2 | 17 | |
| | LK | BK-O | | | 11 | 35 | |
| 760A (MD) Lspk (R2FK Cord) | SP1 | G | | | 34 | 20 | |
| | SP2 | R | | | 33‡ | 29‡ | |
| 95B1 Pwr Unit | AC1 | | | | | | 3B§ |
| | AC2 | | | | | | 4B§ |
| 2012B (MD) or 2012D Trnsf | AC1 | | | | 27 | 27 | |
| | AC2 | | | | 36 | 36 | |

Note: Plug telephone set mounting cord into 149B adapter.

*Insulated and stored.

†Terminal on network.

‡To reduce loudspeaker volume, move SP2 lead to terminal 24(55A) or 30(55B).

§Insulate and store (BL-V) and (V-BL) leads in connector cable.

◆TABLE C◆

CONNECTIONS – 872A1M TELEPHONE SET WITH ONE-TOUCH CALLING USING 3B (MD) SPEAKERPHONE

| APPARATUS | LEAD | | 872A1M TEL SET (NOTE 1) | | CONNECT | | | CONN CABLE AT KEY EQUIP. | |
|--------------------------------------------|---------|-----------------|-------------------------------|-----|--------------|-------|-----------------------------|--------------------------------|---|
| | DESIG | COLOR | | | FROM | | TO | | |
| | | | | | CONT UNIT | | 149B ADPT (DIOR CORD) | | |
| | FROM | TO PSB TERM. | 55A | 55B | TERM. | COLOR | TO | | |
| Tel Set | T1 | V-G | * | 2 | 19 | 1 | 8A | O-V | * |
| | R1 | G-V | * | 9 | 28 | 10 | 7A | | |
| | A1 | | | | 12 | 2 | A1 | | |
| | AG | V-S | * | L2† | 5 | 11 | 12A | | |
| | LK | S-V | * | 13 | 11 | 35 | 11A | | |
| | SPO | O-V | * | 21 | 3 | 18 | 5B | | |
| | P3 | V-BR | * | 3 | 21 | 4 | 10A | | |
| | P4 | BR-V | * | 6 | 30 | 13 | 9A | | |
| | R or R1 | | | | 18 | 34 | 1B | | |
| | R or R1 | | | | 9 | 25 | 1A | | |
| | B or B1 | | | | 17 | 33 | 2B | | |
| | B or B1 | | | | 8 | 24 | 2A | | |
| | STRAP | BK | PSB-11 | * | | | | | |
| | STRAP | BK | PSB-18 | * | | | | | |
| STRAP | BK | PSB-23 | * | | | | | | |
| D-180493 Kit of Parts (Note 2) | INPUT | G-R | | 2 | | | | | |
| | PB | O-BK | | 7 | | | | | |
| | INPUT | G-R | | 9 | | | | | |
| | DT | O-Y | | 11 | | | | | |
| | LK | Y-G | | 13 | | | | | |
| | VDD | R-O | | 17 | | | | | |
| | SPR | Y-BL | | 18 | | | | | |
| | DR | Y-O | | 19 | | | | | |
| | COM | BK-O | | 20 | | | | | |
| | SPO | G-Y | | 21 | | | | | |
| | PL | O-R | | 22 | | | | | |
| | DTT | BL-Y | | 23 | | | | | |
| | Switch | S | | 15 | | | | | |
| | S | | 20 | | | | | | |
| D-180568 Kit of Parts | LK | BL-R | | 13 | | | | | |
| | SHi | G-W | | 14 | | | | | |
| | SHa | R-BL | | 16 | | | | | |
| | VDD | W-G | | 17 | | | | | |

◆ TABLE C (Contd) ◆

CONNECTIONS – 872A1M TELEPHONE SET WITH ONE-TOUCH CALLING USING 3B (MD) SPEAKERPHONE

| APPARATUS | LEAD | | 872A1M TEL SET (NOTE 1) | | CONNECT | | | CONN CABLE AT KEY EQUIP. | |
|---------------------------------|-------|-----------------|-------------------------------|-----|-----------------------------|-------|----|--------------------------------|---|
| | DESIG | COLOR | | | FROM | | TO | | |
| | | | CONT UNIT | | 149B ADPT (DIOR CORD) | | | | |
| | FROM | TO PSB TERM. | 55A | 55B | TERM. | COLOR | TO | | |
| 666B (MD TRMTR (T7A Cord) | M1 | S-BK | | | 4 | 7 | | | |
| | P1 | BL-R | | | 13 | 8 | | | |
| | -15V | BK-S | | | 14 | 16 | | | |
| | S | O-BK | | | 3 | 18 | | | |
| | A1 | Y-O | | | 29 | 19 | | | |
| | F1 | G-Y | | | 2 | 17 | | | |
| | LK | BK-O | | | 11 | 35 | | | |
| 760A (MD Lspk (R2FK Cord) | SP1 | G | | | 34 | 20 | | | |
| | SP2 | R | | | 33‡ | 29‡ | | | |
| 95B1 Pwr Unit | AC1 | | | | | | 3B | BL-V | * |
| | AC2 | | | | | | 4B | V-BL | * |
| 2012B (MD) or 2012D Trnsf | AC1 | | | | 27 | 27 | | | |
| | AC2 | | | | 36 | 36 | | | |

Note 1: Plug telephone set mounting cord into 149B adapter.

Note 2: All dial tones encountered in the process of placing a call must be precise TOUCH-TONE dial tone.

*Insulated and stored.

†Terminal on network.

‡To reduce loudspeaker volume, move SP2 lead to terminal 24 (55A) or 30 (55B).

(6) Break off the detail at the bottom of the cover (Fig. 2) and trim edge as required.

(7) Verify correct operation of option.

(8) Reassemble set.

C. D-180494 Kit of Parts (2/4-Wire Service)

3.10 To install.

- (1) Proceed as described in paragraph 3.17.
- (2) Make connections per Table G.
- (3) Mount the kit assembly to the chassis with the screws provided (Fig. 4).

D. D-180818 Kit of Parts (Record Disable and Dial Intermix Features)

3.11 To install.

- (1) Remove faceplate (paragraph 3.19).
- (2) Loosen the captive screw at the bottom of the cover around the dial and remove the cover. Refer to paragraph 3.16(4).
- (3) Disengage the four captive memory mounting screws (Fig. 4).
- (4) Remove the two dial mounting screws and move dial aside.
- (5) Rotate left edge of memory upward as shown by Fig. 5.

TABLE D

CONNECTIONS—872A1M TELEPHONE SET WITH 4A SPEAKERPHONE ONLY USING 82B CONNECTING BLOCK

| APPARATUS | LEAD | | 872A1M TEL SET | | 82B CONN BLK (NOTE 1) | CONN CABLE AT KEY EQUIP | |
|--------------------------------|------------------------|-------|----------------------|-----------------|--------------------------------|----------------------------------|-----|
| | DESIG. | COLOR | FROM | TO PSB TERM. | | COLOR | TO |
| | | | | | | | |
| 872A1M Tel Set | T1 | V-G | * | 2 | (Note 2) | | |
| | R1 | G-V | * | 9 | | | |
| | A1 | | | | | | |
| | AG | V-S | * | L2† | | | |
| | LK | S-V | * | 13 | | | |
| | P3 | V-BR | * | 3 | | | |
| | P4 | BR-V | * | 6 | | | |
| D-180568 Kit of Parts | LK | BL-R | | 13 | | | |
| | SHi | G-W | | 14 | | | |
| | SHa | R-BL | | 16 | | | |
| | VDD | W-G | | 17 | | | |
| ‡ | 85B1 POWER UNIT | AC1 | BK | | AC1 | | |
| | | AC2 | Y | | AC2 | | |
| | 95B-TYPE POWER UNIT | AC1 | R | | 21 | BL-V | * |
| | | AC2 | G | | 46 | V-B95 | * |
| § | 85B1 POWER UNIT | AC1 | | | Strap AC1 to 24 | BR-V | AC1 |
| | | AC2 | | | Strap AC2 to 49 | V-BR | AC2 |
| | 95B1 POWER UNIT | AC1 | | | | BL-V | AC1 |
| | | AC2 | | | | V-BL | AC2 |

Note 1. Plug mounting cords of telephone set, 108-type loudspeaker, and 680-type transmitter into 82B connecting block. Install option plug in ringer cutoff mode.

Note 2. For 1A1 or 1A2 KTS, connect link between 2 and A1. For 1A KTS, connect link between 19 and A1.

*Insulated and stored.

†Terminal on network.

‡Preferred power connections.

§Alternate power connections.

Note: If set is equipped with an 870A Memory, replace it with an 870B Memory, and carefully pack and return the old memory according to local procedures.

- (6) Mount switch below dial using the two screws provided (Fig. 4).

Note: If the one-touch calling switch (D-180493 Kit of Parts) is already present, it must be

removed. The PSB terminals to which the switch leads were connected (Table C or E), must be strapped together. (The one-touch calling option can no longer be turned off by the subscriber.)

- (7) Connect switch lead connectors to post terminals on memory board per Table L and Fig. 6.

♦ TABLE E ♦

**CONNECTIONS – 872A1M TELEPHONE SET WITH ONE-TOUCH CALLING
USING 4A SPEAKERPHONE**

| APPARATUS | LEAD | | 872A1M TEL SET | | 82B CONN BLK (NOTE 1) | CONN CABLE AT KEY EQUIP. | |
|--------------------------------------|--------|-------|----------------------|----------------|--------------------------------|-----------------------------------|----|
| | DESIG | COLOR | FROM | TO PSB TERM | | COLOR | TO |
| 872A1M Tel Set | T1 | V-G | * | 2 | (Note 2) | | |
| | R1 | G-V | * | 9 | | | |
| | A1 | | | | | | |
| | AG | V-S | * | L2† | | | |
| | LK | S-V | * | 13 | | | |
| | SPO | O-V | * | 21 | Strap 10 to 35 | O-V | * |
| | P3 | V-BR | * | 3 | | | |
| | P4 | BR-V | * | 6 | | | |
| | Strap | BK | PSB-11 | * | | | |
| | Strap | BK | PSB-18 | * | | | |
| | Strap | BK | PSB-23 | * | | | |
| | | | | | | | |
| D-180493 Kit of Parts (Note 3) | Input | G-R | | 2 | | | |
| | PB | O-BK | | 7 | | | |
| | Input | G-R | | 9 | | | |
| | DT | O-Y | | 11 | | | |
| | LK | Y-G | | 13 | | | |
| | VDD | R-O | | 17 | | | |
| | SPR | Y-BL | | 18 | | | |
| | DR | Y-O | | 19 | | | |
| | COM | BK-O | | 20 | | | |
| | SPO | G-Y | | 21 | | | |
| | PL | O-R | | 22 | | | |
| | DTT | BL-Y | | 23 | | | |
| | Switch | S | | 15 | | | |
| S | | | 20 | | | | |
| D-180568 Kit of Parts | LK | BL-R | | 13 | | | |
| | SHi | G-W | | 14 | | | |
| | SHa | R-BL | | 16 | | | |
| | VDD | W-G | | 17 | | | |

◆TABLE E (Contd)◆

**CONNECTIONS – 872A1M TELEPHONE SET WITH ONE-TOUCH CALLING
USING 4A SPEAKERPHONE**

| APPARATUS | | LEAD | | 872A1M TEL SET | | 82B CONN BLK (NOTE 1) | CONN CABLE AT KEY EQUIP. | |
|-----------|----------------------|-------|-------|----------------------|----------------|--------------------------------|-----------------------------------|-----|
| | | DESIG | COLOR | FROM | TO PSB TERM | | COLOR | TO |
| ‡ | 85B1 PWR Unit | AC1 | BK | | | AC1 | | |
| | | AC2 | Y | | | AC2 | | |
| | 95B-Type PWR Unit | AC1 | R | | | 21 | BL-V | * |
| | | AC2 | G | | | 46 | V-BL | * |
| § | 85B1 PWR Unit | AC1 | | | | Strap 24-AC1 | BR-V | AC1 |
| | | AC2 | | | | Strap 49-AC2 | V-BR | AC2 |
| | 95B1 PWR Unit | AC1 | | | | | BL-V | AC1 |
| | | AC2 | | | | | V-BL | AC2 |

Note 1: Plug mounting cords of telephone set, 108-type loudspeaker, and 680 type transmitter into 82B connecting block. Install option plug in ringer cutoff mode.

Note 2: For 1A1 or 1A2 KTS, connect link between 2 and A1. For 1A KTS, connect link between 19 and A1.

Note 3: All dial tones encountered in placing a call must be precise TOUCH-TONE dial tone.

* Insulated and stored.

† Terminal on network.

‡ Preferred power connections.

§ Alternate power connections.

- (8) With feature switch in OFF position, verify that set operates in normal manner.
- Numbers can be recorded into memory
 - Numbers can be changed
 - Numbers can be deleted from memory.
- (9) Set feature switch to ON position and verify feature provided.
- Record disable feature, only.
 - (a) RECORD lamp will not light when RECORD button is depressed.
 - (b) No telephone numbers can be recorded, changed, or deleted in memory.
 - (c) LAST NUMBER DIALED feature is operative.
 - Record disable and dial intermix features.
 - (a) RECORD lamp will not light when RECORD button is depressed.
 - (b) No telephone numbers can be recorded, changed, or deleted in memory.
 - (c) LAST NUMBER DIALED feature is disabled.
 - (d) Manually and automatically dialed digits may be intermixed.
- (10) Reassemble set

TABLE F

**CONNECTIONS – 872A1M TELEPHONE SET
WITH DIAL TONE DETECTOR ONLY (SEE NOTE)**

| APPARATUS | LEAD | | 872A1M TEL SET | |
|--------------------------------|-------------|-------|-------------------|-----------------|
| | DESIG | COLOR | FROM PSB TERM. | TO PSB TERM. |
| 872A1M Tel Set | Strap | BK | 11 | * |
| | Strap | BK | 23 | * |
| D-180493 Kit of Parts | Input | G-R | | 2 |
| | PB | O-BK | | 7 |
| | Input | G-R | | 9 |
| | DT | O-Y | | 11 |
| | LK | Y-G | | * |
| | VDD | R-O | | 17 |
| | SPR | Y-BL | | * |
| | DR | Y-O | | 19 |
| | COM | BK-O | | 20 |
| | SPO | G-Y | | * |
| | PL | O-R | | 22 |
| | DTT | BL-Y | | 23 |
| | Switch † | S | | * |
| | S | | * | |

Note: May be used for applications where first dial tone is not precise (350 Hz and 440 Hz) but all subsequent dial tones must be precise if number is to be dialed automatically.

*Insulate and store.

†Switch not required when speakerphone is not provided.

E. Single-Line Service

3.12 The 870A2M TOUCH-A-MATIC telephone set is available from the factory as a modular single line set. However, with the addition of an 870B1 faceplate, the 872A1M telephone set may be converted to single line service as follows.

- (1) Remove the faceplate, key collar, and all buttons of the 635-type key.
- (2) Gain access to terminal area (paragraph 3.17).
- (3) Remove the cradle (paragraph 3.20).
- (4) Make connections per Table H.

- (5) Reassemble set and install an 870B1 faceplate of the appropriate color.

Note: If set was originally equipped with an 872A1-87 faceplate, refer to paragraph 6.11.

F. Head Telephone Set

3.13 To install.

- (1) Remove housing (paragraph 3.21).
- (2) Access PSB terminal area (paragraph 3.17).
- (3) Remove cradle (paragraph 3.20).
- (4) Thread jackset cord through hole in rear of housing and make connections per appropriate table provided with Plantronics Jackset.

TABLE G

CONNECTIONS FOR 2/4-WIRE SERVICE

| APPARATUS | COLOR | REMOVE FROM | CONNECT TO |
|-----------------------------|-------|-------------|------------|
| 872A1M Tel Set | BK-G | GN | L1 |
| | BK | R | * |
| | BR-V | * | PSB-13 |
| | V-BR | * | PSB-21 |
| D-180494 Kit of Parts | V | | T |
| | S | | L2 |
| | BR | | * |
| | Y-BR | | L1 |
| | BL-R | | GN |
| | G-BK | | PSB-13 |
| | R-BR | | R |
| | R-O | | S |
| BL-Y | | PSB-21 | |

*Insulate and store.

TABLE H

CONNECTIONS FOR CONVERSION TO SINGLE LINE SERVICE WITH BRIDGED RINGING

| LEAD | | REMOVE FROM | CONNECT TO |
|--------|-------|-------------|------------|
| DESIG | COLOR | | |
| Tip | W-BL | (1 PU-3)* | Net. K |
| Ring | BL-W | (1 PU-6)* | TB1-13 |
| B1 | Y-S | Net. K | * |
| R1 | S-Y | TB1-13 | * |
| A-Lead | W-O | (1 PU-1)* | TB1-1 |
| Hold | Y-BL | TB1-3 | * |
| LRS-1 | W | PSB-20 | * |

*Insulate and store.

TABLE I

CONVERSION TO BRIDGED RINGING ON FIRST LINE WITH 6-BUTTON KEY SERVICE

| LEAD | | REMOVE FROM | CONNECT TO |
|-------|-------|-------------|------------|
| DESIG | COLOR | | |
| Tip | W-BL | (1 PU-3)* | Net. K |
| Ring | BL-W | (1 PU-6)* | TB1-13 |
| B1 | Y-S | Net. K | * |
| R1 | S-Y | TB1-13 | * |

*Insulate and store.

(5) Reassemble telephone set.

(6) Insert head telephone set plug into jackset.



Other optional components may be used such as SPOKESMAN®, loudspeaker sets, etc. Refer to the appropriate section for connection information for these components.

COMPONENT LOCATION AND ACCESS INFORMATION

A. Location of Components

3.14 The components are located in three areas as follows.

(a) Under the handset cradle (Fig. 3):

- Buzzer
- Ringer
- Line switch assembly
- Handset jack
- Terminal boards (TB1 and TB2).

(b) Under the faceplate, inside the set (Fig. 4 and 5):

- Battery jack (Fig. 5)
- Power supply board (PSB) terminal area (Fig. 4)
- Network (Fig. 4)
- Options (Fig. 4):

D-180568 (relay kit for speakerphone)

D-180493 (dial tone detector and one-touch calling switch kit)

D-180494 (2/4-wire relay kit)

D-180818 (record disable and dial intermix switch) Fig. 6.

(c) Under the telephone set (Fig. 7):

- Battery.

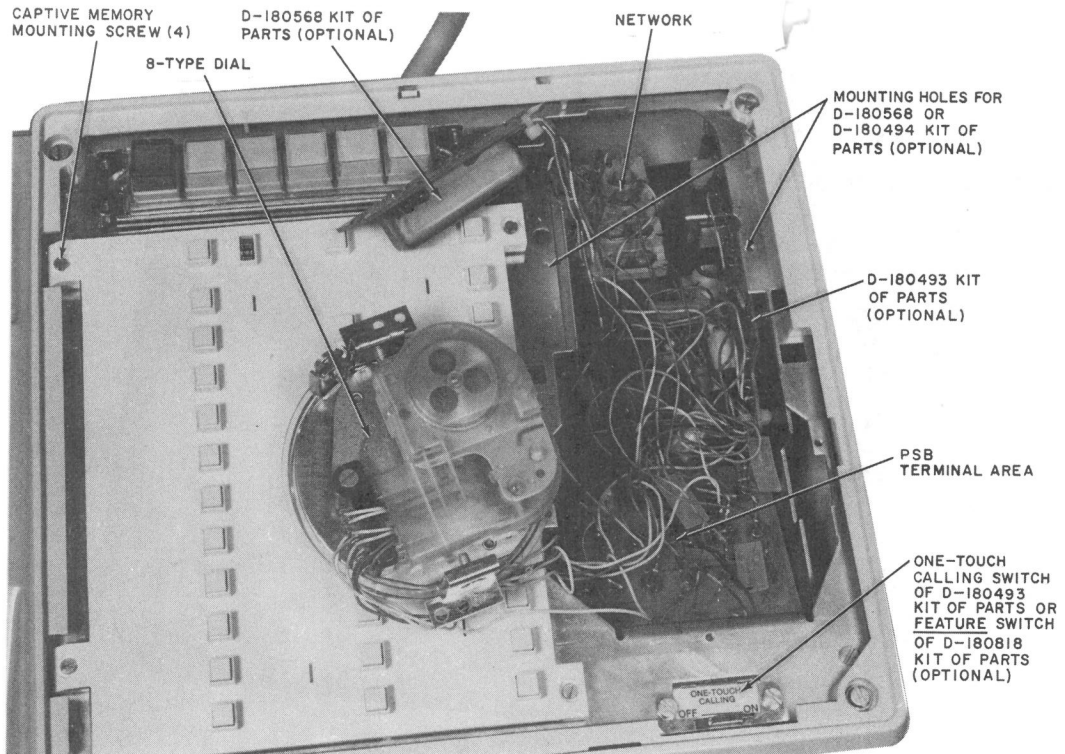


Fig. 4—872A1M Telephone Set—Dial Removed To Show Terminal Area

B. Mounting Cord

3.15 The D50BB-87 mounting cord is amphenol ended at the equipment end and equipped with 508-type plugs for terminating on the back of the 635-type module at the telephone set end. The conductors terminated in the 508-type plugs provide the major line service requirements. Spade-tipped conductors are provided for auxiliary control functions or options and are terminated directly on associated equipment, terminal boards, or stored.

Note: Sets manufactured prior to fourth quarter 1976 were equipped with D50AM-87 mounting cords. The major difference in the cords is that TIP and RING contact strips were required with the D50AM-87, whereas individual conductors of the D50BB-87 connect

to the TIP and RING contacts of the 635-type key.

C. Network Terminals

3.16 For access to the network terminals.

- (1) Remove the faceplate (paragraph 3.19).
- (2) Loosen the captive cover screw at the bottom of the white cover around the dial (Fig. 2).
- (3) Remove the cover.
- (4) To replace the cover, the three tabs of the cover (one at the top center and one at each side just above the dial) must be aligned with holes in the chassis before the screw is refastened.

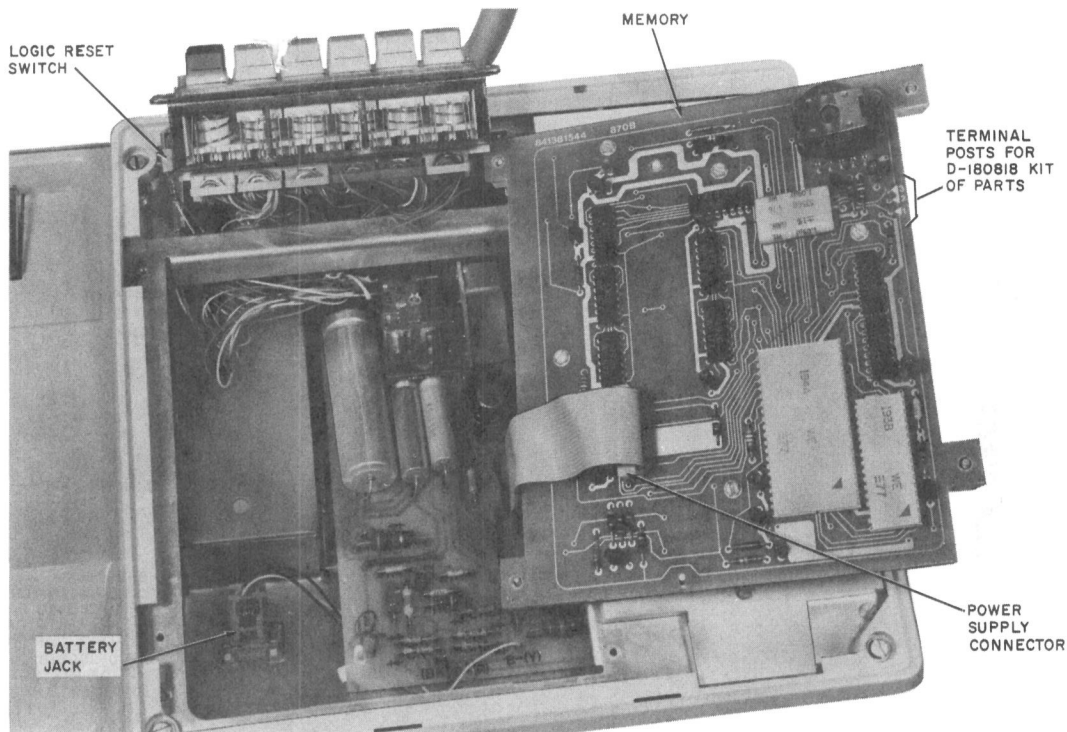


Fig. 5—872A1M Telephone Set, Overall Internal View

Failure to do this will result in improper seating of the faceplate.

D. Power Supply Board (PSB) Terminals

3.17 To access the terminal field on the power supply board, proceed as follows.

- (1) Remove the faceplate (paragraph 3.19).
- (2) Loosen the captive cover screw at the bottom of the white cover around the dial (Fig. 2).
- (3) Remove the cover.
- (4) Remove the two screws that hold the dial in place.
- (5) Gently raise the dial and move aside.

(6) To reassemble, reverse procedure.

(7) To replace the cover, the three tabs of the cover (one at the top center and one at each side just above the dial) must be aligned with holes in the chassis before the screw is refastened. Failure to do this will result in improper seating of the faceplate.

E. Line Key Removal

3.18 To remove, use the following procedure.

- (1) Remove faceplate (paragraph 3.19).
- (2) Push the key toward the rear of the set to unlock it from the tabs.
- (3) Raise the metal plate of the key just above the tabs and move the key toward the left,

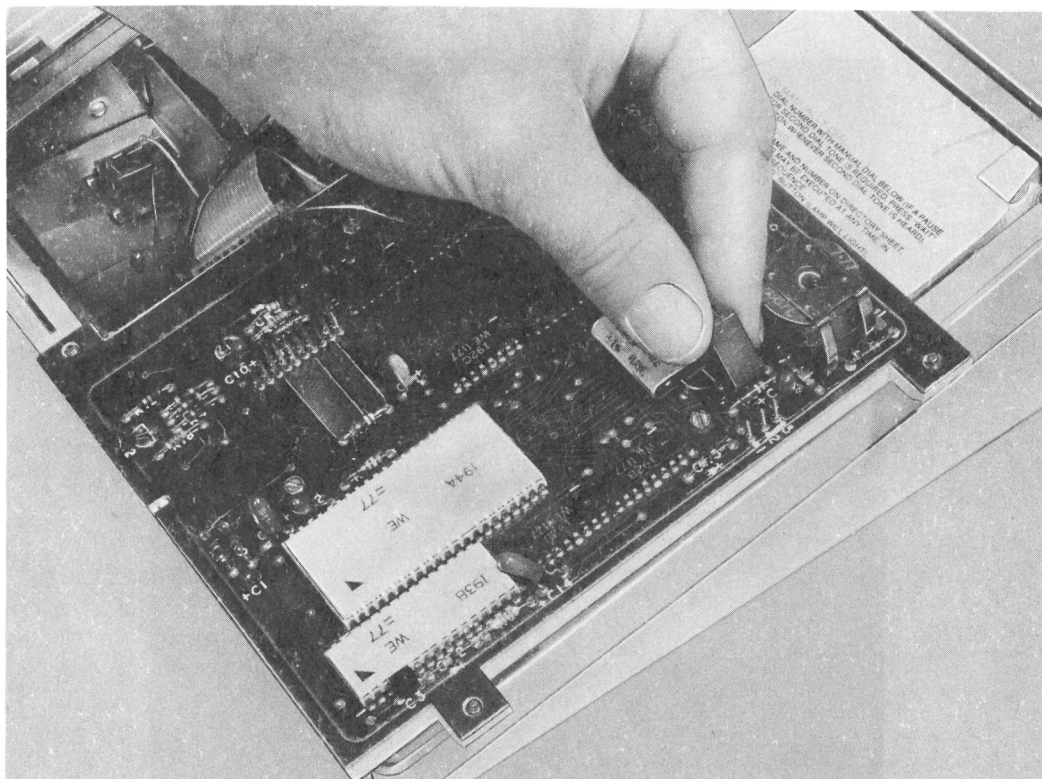


Fig. 6—872A1M Telephone Set Connections of D-180818 Kit of Parts, Record Disable Feature Only

then raise the right end of the key until it clears the chassis of the set.

Warning: Do not damage contact strips which protrude from the right side of the key or logic reset switch attached on HOLD side of key. (Contact strips will only be found on sets equipped with D50AM-87 mounting cords.)

- (4) Lift the key completely out of the set.
- (5) Replace key by reverse procedure.

F. Faceplate Removal

3.19 Removal will differ depending on faceplate provided.

- (a) The 872B1-type faceplate is held in place by a spring clip attached to the 870A1U upper housing. To disengage the faceplate, lift up on the tab which protrudes from the center of the back edge of the faceplate.

Note: The 872B1 faceplate is not a direct replacement for the 872A1-87 faceplate. An 870A1U upper housing is also required with the 872B1 faceplate (paragraph 6.11).

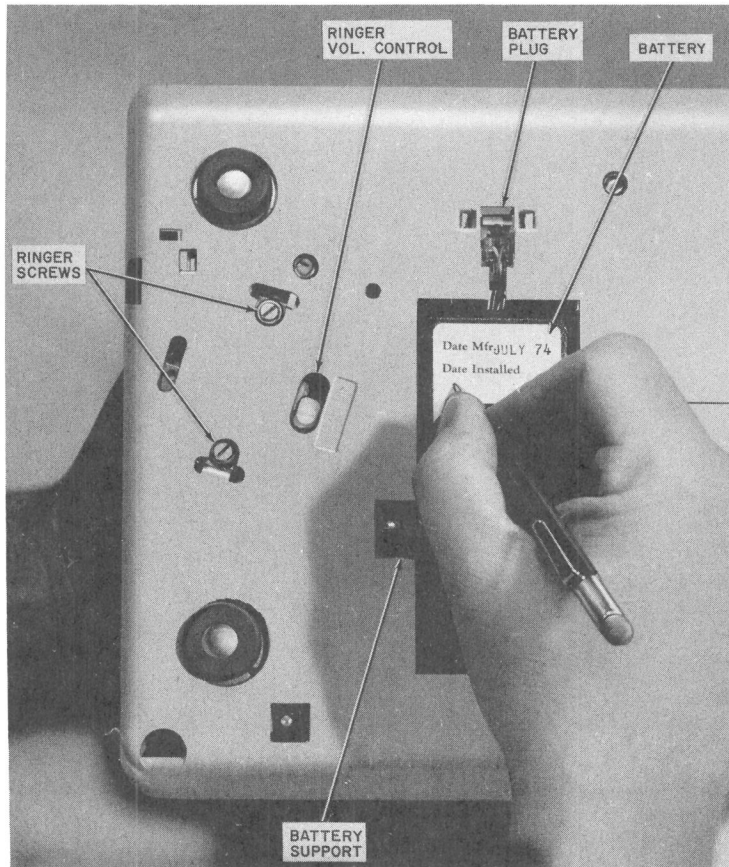


Fig. 7—872A1M Telephone Set, Bottom View

(b) The 872A1-87 faceplate is held in place by two snaps bonded to the faceplate and aligned to fit holes in the chassis. To remove the faceplate, grasp it by any convenient edges and lift.

G. Handset Cradle Removal

3.20 To remove the handset cradle from the housing, proceed as follows.

(1) Remove the faceplate (paragraph 3.19), and place the handset aside.

(2) Remove upper housing, if provided, [paragraph 3.21(b)].

(3) Disengage the captive cradle screws (if provided) located in the two tabs on the cradle (Fig. 2).

(4) Lift the cradle by pulling up on the line switch plunger, and remove.

(5) Replace the handset cradle by sliding it sideways to engage the clips with the mating tabs in the side of the housing.

Warning: *The line switch plunger must be held from the top side of the cradle as it is slid into position to prevent damage to the line switch arm.*

- (6) Refasten the captive cradle screws, if provided.

H. Housing Removal

3.21 To remove, proceed as follows.

(a) Lower housing.

- (1) Unplug the handset cord, at the telephone set end, and remove handset.
- (2) Remove the faceplate (paragraph 3.19).
- (3) Remove the handset cradle (paragraph 3.20).

Warning: *Attempting to remove the housing without removing the handset cradle may damage the line switch arm.*

- (4) Disengage the four captive housing screws, (Fig. 2), one located in each corner of the upper housing.
- (5) Separate the housing from the telephone set base.
- (6) Feed mounting cord through hole in bottom of housing as housing is removed.
- (7) Before replacing the housing, lift the set to check that the shoulders of the battery jack are against the two tabs of the chassis. Misalignment may cause the bottom of the housing to bow.
- (8) When replacing the housing, keep the handset jack from being trapped between the housing and chassis.

(b) Upper housing.

- (1) Remove the faceplate (paragraph 3.19).
- (2) Disengage the captive housing screws located in each corner of the upper

housing, (Fig. 2). This will release the lower housing.

- (3) Pull the upper housing away from the chassis as each housing screw is backed out. This will separate the upper housing from the chassis.

- (4) If necessary, back screws out of upper housing.

- (5) To reassemble, reverse procedure.

4. CONNECTIONS

- 4.01 Telephone set connections are shown in Fig. 9 and Table J.

Caution: *Some conductor assignments are not standard (Table J).*

- 4.02 Refer to Table A for connection information for all options.

- 4.03 A partial functional schematic is shown in Fig. 15.

5. OPERATION

A. Record A Number Into Memory

Note; *If telephone set is equipped with D-180818 Kit of Parts, switch must be in the OFF position.*

- 5.01 To record.

- (1) Remove the faceplate (paragraph 3.19).
- (2) Write or type the desired name and telephone number for a selected memory button on the associated position of the directory sheet.
- (3) Replace the faceplate.
- (4) Depress the RECORD button. The RECORD lamp adjacent to the RECORD button will light. (A number can be called and recorded simultaneously by lifting handset before depressing the RECORD button.)

Note: *If set is equipped with the D-180818 Kit of Parts, feature switch must be in the OFF position.*

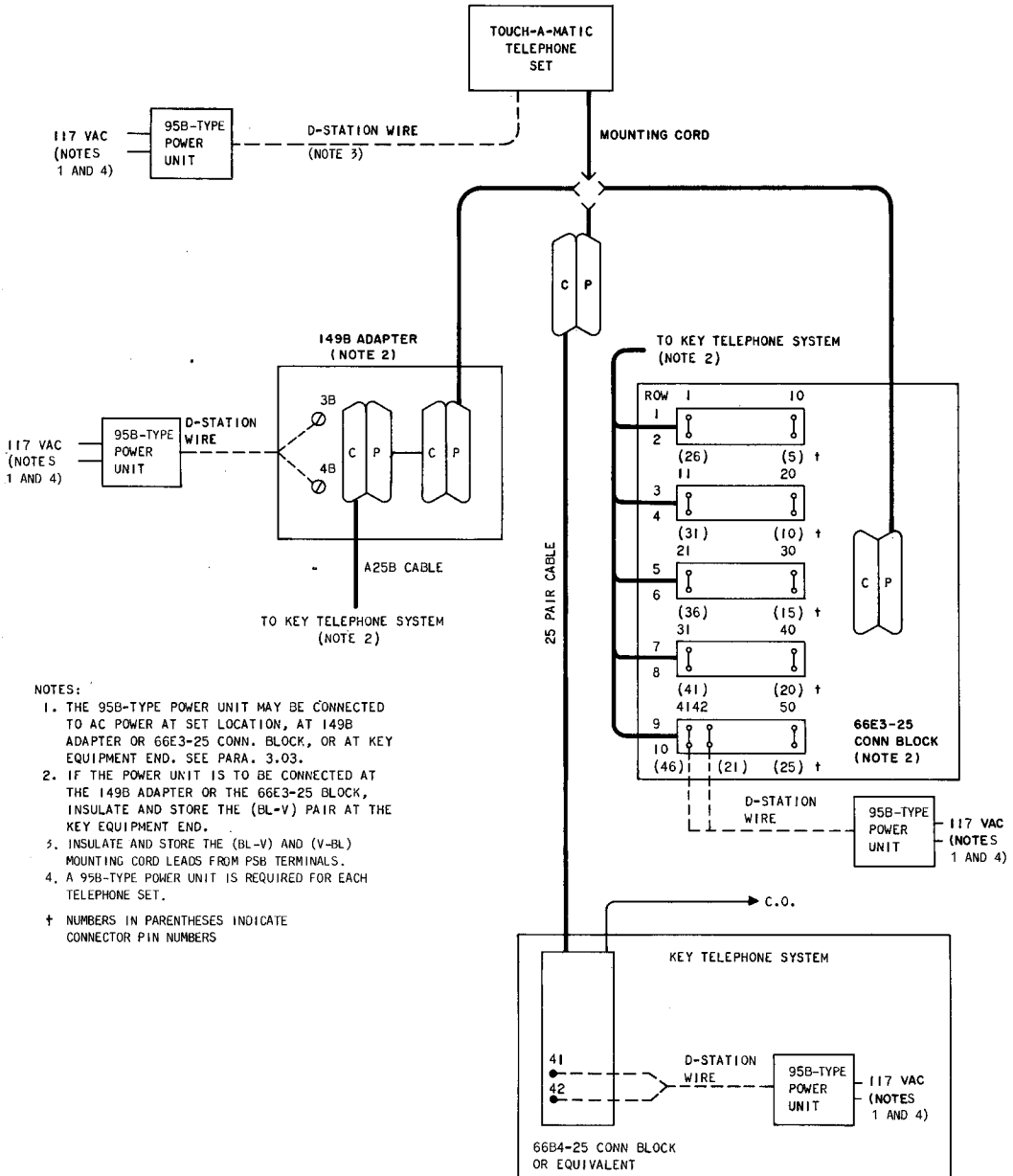


Fig. 8—872A1M Telephone Set, Alternate Power Connection Method

(5) Depress the specific memory button adjacent to the desired telephone number listed on the directory sheet.

(6) Manually dial the desired telephone number. If an access code and a pause for second dial tone is required.

(a) Dial the access digit(s) for the outside line.

(b) Push the WAIT button when the RECORD lamp relights. (The WAIT entry counts as one digit.)

(c) Dial the telephone number.

Note: A number up to 15 digits in length may be recorded. The RECORD lamp will go out momentarily as each digit is dialed. If exactly 15 digits are recorded, the RECORD lamp will go out and stay out, indicating that the dialer has been reset. If a memory button has not been depressed, the RECORD lamp will go out when the first digit is dialed and recording operation will be voided.

(7) Depress the RECORD OFF button if less than 15 digits are recorded. The RECORD lamp will go out. The dialer will be reset. The number is now stored in the selected memory. The dialer can also be reset by a switchhook, line key, or speakerphone operation.

B. Change A Number In Memory

Note: If the telephone set is equipped with D-180818 Kit of Parts, switch must be in the OFF position.

5.02 Whenever a new number is recorded in a previously used memory position, it will automatically replace the previously stored number.

C. Delete A Number From Memory

Note: If the telephone set is equipped with D-180818 Kit of Parts, switch must be in the OFF position.

5.03 Complete the following operations in succession.

(1) Depress the RECORD button.

(2) Depress the memory button corresponding to the name and number to be deleted.

(3) Depress the RECORD OFF button.

D. Automatically Dial A Number From Memory

5.04 To automatically dial a number.

(a) For factory-wired sets go off-hook, listen for dial tone, and depress the desired memory button. If a WAIT input has been recorded, automatic dialing will stop. When second dial tone is heard, depress memory button again to complete automatic dialing.

(b) For sets equipped with dial tone detector only, go off-hook, listen for dial tone and depress the memory button.

(c) For sets equipped with the one-touch calling option (with speakerphone and dial tone detector), simply depress the memory button.

E. LAST NUMBER DIALED Feature

5.05 The TOUCH-A-MATIC telephone set automatically records into the LAST NUMBER DIALED position (Fig. 1) any number dialed using the standard telephone dial. Each number in the LAST NUMBER DIALED position is automatically replaced by the next number manually dialed. Although the unit is recording, the RECORD lamp does not light at any time during this operation.

Note: If telephone set is equipped with D-180818 Kit of Parts, and dial intermix feature is provided, LAST NUMBER DIALED feature is functional only when the feature switch is in the OFF position.

5.06 Operation of LAST NUMBER DIALED feature.

(a) With no access digit(s) required.

(1) Go off-hook.

(2) Listen for dial tone.

(3) Manually dial telephone number.

(4) To redial same number automatically.

- (a) For factory-wired sets, go off-hook, listen for dial tone and depress LAST NUMBER DIALED button.
- (b) For sets equipped with the dial tone detector only, go off-hook, listen for dial tone, and depress the LAST NUMBER DIALED button.
- (c) For sets equipped with the one-touch calling option (with speakerphone and dial tone detector), simply depress the LAST NUMBER DIALED button.
- (b) When an access code and pause for second dial tone is required.
- (1) Go off-hook.
 - (2) Listen for dial tone.
 - (3) Dial access digit(s).
 - (4) Depress WAIT button, after second dial tone is heard.
 - (5) Manually dial telephone number.
 - (6) To redial same number automatically.
 - (a) For factory-wired sets, go off-hook, listen for dial tone and depress LAST NUMBER DIALED button. Automatic dialing will stop at the recorded WAIT input. When second dial tone is heard, depress LAST NUMBER DIALED button again to complete automatic dialing.
 - (b) For sets equipped with the dial tone detector only, go off-hook, listen for dial tone, and depress LAST NUMBER DIALED button.
 - (c) For sets equipped with the one-touch calling option (with speakerphone and dial tone detector), simply depress the LAST NUMBER DIALED button.

6. MAINTENANCE

6.01 In case of power failure, the automatic dialing feature cannot be used. The battery retains the number associated with each of the memory

buttons for at least 24 hours. If power loss exceeds 24 hours, the numbers may have to be rerecorded.

A. Trouble Analysis

6.02 When trouble is encountered, the subsequent procedure should be followed.

- (1) Confirm improper operation either as a basic telephone set or as an automatic dialer (Part 5).
- (2) Check for improper connections.
- (3) Refer to table N, and the following paragraphs.
- (4) If removal of set is required, proceed as follows.
 - (a) ⚡Disconnect power unit from ac outlet and unplug battery.⚡
 - (b) Disconnect telephone set.
 - (c) Place battery plug sideways into housing slot below battery jack and tape into place.

Warning: Failure to restrain plug can result in plug damage necessitating battery replacement.

B. Battery

6.03 The KS-20390L4 or L2 battery has an expected life of about 4 years. It can be replaced without loss of memory provided commercial ac power to the set is continuously maintained. To replace the battery, proceed as follows (Fig. 7).

- (1) Tilt the front of the set up.
- (2) Unplug the battery.
- (3) Loosen the captive screw on the battery support.
- (4) Remove battery support.
- (5) Remove battery.
- (6) Install new battery.

(7) When battery has been connected at least five minutes, check memory retention by momentarily disconnecting ac power and then automatically dialing a known telephone number.

C. Memory

6.04 The memory may be replaced in the following manner.

(1) ⚡ Disconnect power unit from ac outlet and unplug battery.

Note: Removal of the memory or ac and battery power results in loss of stored telephone numbers.⚡

(2) Remove the faceplate (paragraph 3.19).

(3) Loosen the four captive memory mounting screws (Fig. 4).

(4) Rotate the left edge of the memory upward as shown in Fig. 5.

(5) Disengage the connector by pulling it perpendicular to the printed wiring board.

(6) Replace the memory. Do not twist the gray power supply cable. It should form a loop as shown in Fig. 5 when connected to the board.

(7) Reassemble set.

(8) ⚡ Reconnect battery and power unit⚡

(9) Test per paragraph 3.07.

(10) ⚡ Reprogram memory, see Part 5.⚡

D. Dial

6.05 To replace.

(1) ⚡ Disconnect power unit from ac outlet and unplug battery.

Note: Removal of ac and battery power results in loss of stored numbers.⚡

(2) Access PSB terminal area per paragraph 3.17.

(3) Disconnect dial leads and remove dial.

(4) Install new dial by reversing procedure.

(5) ⚡ Reconnect battery and power unit.

(6) Reprogram memory, see Part 5.⚡

E. 6-Button Line Key

6.06 To replace.

(1) ⚡ Disconnect power unit from ac outlet and unplug battery.

Note: Removal of ac and battery power results in loss of stored numbers.⚡

(2) Remove key per paragraph 3.18.

(3) Access PSB terminal area per paragraph 3.17.

(4) Disconnect logic reset leads from PSB terminals 10 and 20.

(5) Remove the 508-type plugs and (if provided) the two contact strips from the back of the key.

(6) Install new key.

(7) Reassemble the set.

(8) ⚡ Reconnect battery and power unit.⚡

(9) Test for operation of the logic reset switch [paragraph 3.07(11)].

(10) ⚡ Reprogram memory, see Part 5.⚡

F. Ringer

6.07 To replace.

(1) ⚡ Disconnect power unit from ac outlet and unplug battery.

Note: Removal of ac and battery power results in loss of stored numbers.⚡

(2) Remove the faceplate (paragraph 3.19) and place the handset aside.

(3) Remove upper housing, if provided, [paragraph 3.21(b)].

- (4) Remove the cradle (paragraph 3.20).
- (5) Disconnect the ringer leads (Fig. 9I).
- (6) Tilt the front of the set up.
- (7) Loosen ringer mounting screws (Fig. 7).
- (8) Remove ringer.
- (9) Install new ringer and assemble in reverse order. The leads should be routed as shown in Fig. 3 to prevent contact with the gong and subsequent dampening of the ringer output.
- (10) ♦Reassemble set.
- (11) Reconnect battery and power unit.
- (12) Dial ringback code to test ringer.
- (13) Reprogram memory, see Part 5.♦

G. Buzzer

6.08 To replace.

- (1) ♦Disconnect power unit from ac outlet and unplug battery.

Note: Removal of ac and battery power results in loss of stored numbers.♦

- (2) Remove the faceplate (paragraph 3.19) and place handset aside.
- (3) Remove upper housing, if provided, [paragraph 3.21(b)].
- (4) Remove the cradle (paragraph 3.20).
- (5) Remove the buzzer mounting screw.
- (6) Remove the mounting screw and spacer for TB1 (Fig. 3).
- (7) Move terminal board TB1 to gain access to the appropriate terminals on TB2.
- (8) Remove appropriate leads (Fig. 9H).
- (9) Reassemble. When replacing TB1, locate its tabs in the slots of the chassis before refastening the TB1 mounting screw.

- (10) ♦Reconnect battery and power unit.
- (11) Reprogram memory, see Part 5.♦

H. Handset Jack

6.09 To replace.

- (1) ♦Disconnect power unit from ac outlet and unplug battery.

Note: Removal of ac and battery power results in loss of stored numbers.♦

- (2) Remove the faceplate (paragraph 3.19) and place handset aside.
- (3) Remove upper housing, if provided, [paragraph 3.21(b)].
- (4) Remove the cradle (paragraph 3.20).
- (5) Remove the mounting screw and spacer for TB1 (Fig. 3).
- (6) Move terminal board TB1 to gain access to the appropriate terminals on TB2.
- (7) Disconnect the appropriate leads (Fig. 9H) and remove jack.
- (8) Reassemble. When replacing TB1, locate its tabs in the slots of the chassis before refastening the TB1 mounting screw.
- (9) Route leads through wire guide as shown in Fig. 3.
- (10) ♦Reconnect battery and power unit.
- (11) Reprogram memory, see Part 5.♦

I. Handset

6.10 A defective G15A handset may be replaced or changed to a modular amplifying handset (G6BM, G7BM, or G8BM) by unplugging the H4DU cord and inserting it into the new handset. To replace the G15A handset with a nonmodular amplifying handset (G6B, G7B, or G8B) proceed as follows.

- (1) ♦Disconnect power unit from ac outlet and unplug battery.

Note: Removal of ac and battery power results in loss of stored numbers.♦

- (2) Unplug H4DU handset cord at telephone set end.
- (3) Remove faceplate (paragraph 3.19) and place handset aside.
- (4) Remove upper housing, if provided [paragraph 3.21(b)].
- (5) Remove handset cradle (paragraph 3.20).
- (6) Disconnect 616B handset jack (paragraph 6.09). (Jack may be removed or stored just to right of ringer.)
- (7) Insert spade-tipped end of handset cord through hole in the side of the housing.
- (8) Attach stayband hook to chassis.
- (9) Route leads through wire guide as shown in Fig. 3.
- (10) Make connections (Fig. 9H).
- (11) Reassemble set.
- (12) ♦Reconnect battery and power unit.
- (13) Reprogram memory, see Part 5.♦

J. Faceplate

6.11 To replace an 872A1-87 faceplate with an 872B1 faceplate.

- (1) Remove the 872A1-87 faceplate by lifting up at any of its edges.
- (2) Remove the four captive housing screws (Fig. 2) from the chassis.
- (3) Use the four housing screws to mount the 870A1U-type upper housing to the chassis and 870A1-type housing. The three parts should be held together tightly as the screws are driven.
- (4) Place the two tabs located along the lower edge of the 872B1 faceplate in the notches in the lower side of the 870A1U-type upper housing.
- (5) Lower the faceplate to rest on the memory. The spring clip located at the top center of the upper housing should retain the faceplate.

K. Speakerphone

6.12 For maintenance information on the 3B (MD) or 4A speakerphone systems, refer to Section 512-620-100 or 512-700-100, respectively. For speakerphone connections, use applicable Tables B through E.

TABLE J
MOUNTING CORD AND 508 PLUG CONNECTIONS

| AMPHENOL PLUG | | | INSIDE TELEPHONE SET | | | | | | |
|---------------|---------|-------|----------------------------|-----------|---------|--------------------------------------|--------------|-------|-------|
| DESIG | PIN NO. | COLOR | MTG CD TERMINATIONS | | | SPADE TIP CONDUCTORS FROM 508 PLUGS. | | | |
| | | | SPADE TIP COND. IN MTG. CD | 508 PLUGS | | PLUG COLOR | PLUG PIN NO. | COLOR | TERM. |
| | | | | COLOR | PIN NO. | | | | |
| R(1) | 1 | BL-W | | BL | 6 | BL | 6 | BL-W | * |
| T(1) | 26 | W-BL | | BL | 3 | BL | 3 | W-BL | * |
| A1 | 2 | O-W | TB1-12 | | | BL | 2 | W | TB1-3 |
| A(1) | 27 | W-O | | BL | 1 | BL | 1 | W-O | * |
| L(1) | 3 | G-W | | BL | L | | | | |
| LG(1) | 28 | W-G | | BL | LG | | | | |
| R(2) | 4 | BR-W | | O | 6 | | | | |
| T(2) | 29 | W-BR | | O | 3 | | | | |
| B(2) | 5 | S-W | * | | | O | 2 | R | TB1-2 |
| A(2) | 30 | W-S | | O | 1 | | | | |
| L(2) | 6 | BL-R | | O | L | | | | |
| LG(2) | 31 | R-BL | | O | LG | | | | |
| R(3) | 7 | O-R | | G | 6 | | | | |
| T(3) | 32 | R-O | | G | 3 | | | | |
| B(3) | 8 | G-R | * | | | G | 2 | BK | TB1-2 |
| A(3) | 33 | R-G | TB1-7 | | | G | 1 | S-W | TB1-7 |
| L(3) | 9 | BR-R | | G | L | | | | |
| LG(3) | 34 | R-BR | | G | LG | | | | |
| R(4) | 10 | S-R | | BR | 6 | | | | |
| T(4) | 35 | R-S | | BR | 3 | | | | |
| B(4) | 11 | BL-BK | * | | | BR | 2 | Y | TB1-2 |
| A(4) | 36 | BK-BL | TB1-9 | | | BR | 1 | BR | TB1-9 |
| L(4) | 12 | O-BK | | BR | L | | | | |
| LG(4) | 37 | BK-O | | BR | LG | | | | |
| R(5) | 13 | G-BK | | S | 6 | | | | |
| T(5) | 38 | BK-G | | S | 3 | | | | |
| B(5) | 14 | BR-BK | * | | | S | 2 | V | TB1-2 |
| A(5) | 39 | BK-BR | TB1-4 | | | S | 1 | S | TB1-4 |
| L(5) | 15 | S-BK | | S | L | | | | |
| LG(5) | 40 | BK-S | | S | LG | | | | |
| BZ1 | 16§ | BL-Y | TB2-11 | | | | | | |
| BZ | 41§ | Y-BL | TB2-5 | | | | | | |

*Insulate and store.

§Nonstandard pin numbers

TABLE J (Contd)
MOUNTING CORD AND 508 PLUG CONNECTIONS

| AMPHENOL PLUG | | | INSIDE TELEPHONE SET | | | | | | |
|---------------|---------|-------|----------------------------|-----------|---------|--------------------------------------|--------------|-------|--------|
| DESIG | PIN NO. | COLOR | MTG CD TERMINATIONS | | | SPADE TIP CONDUCTORS FROM 508 PLUGS. | | | |
| | | | SPADE TIP COND IN. MTG. CD | 508 PLUGS | | PLUG COLOR | PLUG PIN NO. | COLOR | TERM. |
| | | | | COLOR | PIN NO. | | | | |
| Spare | 17 | O-Y | * | | | | | | |
| Spare | 42 | Y-O | * | | | | | | |
| HL | 18 | G-Y | PSB-26 | | | | | | |
| HLG | 43 | Y-G | PSB-27 | | | | | | |
| SG | 19 | BR-Y | TB1-5 | | | | | | |
| BL | 44 | Y-BR | TB1-6 | | | | | | |
| R or R1 | 20 | S-Y | TB1-13 | | | | | | |
| B or B1 | 45 | Y-S | Net. K | | | | | | |
| AC1† | 21§ | BL-V | PSB-24 | | | | | | |
| AC2† | 46§ | V-BL | PSB-25 | | | | | | |
| SPO‡ | 22§ | O-V | * | | | | | | |
| Spare | 47 | V-O | Net. T | | | | | | |
| R1‡ | 23 | G-V | * | | | | | | |
| T1‡ | 48 | V-G | * | | | | | | |
| P4-IR‡ | 24 | BR-V | * | | | | | | |
| P3-IT‡ | 49 | V-BR | * | | | | | | |
| LK‡ | 25 | S-V | * | | | | | | |
| AG‡ | 50 | V-S | * | | | | | | |
| Tip | | | | | | S | 4 | G | TB1-8 |
| Ring | | | | | | S | 5 | R | PSB-9 |
| | | | | | | Pink | HL | BR-W | PSB-26 |
| | | | | | | Pink | HLG | W-BR | PSB-27 |
| | | | | | | Pink | 3 | BL | * |
| | | | | | | Pink | 2 | G | TB1-1 |
| | | | | | | Pink | 1 | Y-BL | TB1-3 |

*Insulate and store.

†95B1 Power Unit

‡Designations for speakerphone options. Refer to Tables B through E.

§ Non-standard pin numbers.

◆TABLE K◆

TO CONVERT THE 872A1M TELEPHONE SET
FROM 1A1, 1A2, TO 1A OPERATION (See Note)

| LEAD DESIG | COLOR | FROM (1A1, 1A2) | TO (1A) |
|---------------|-------|---------------------|------------|
| LSb | Y | TB1-12 | TB1-5 |
| HOLD | Y-BL | TB1-3 | TB1-16 |
| HOLD | BL | *(Pink 508 Plug) | TB1-3 |
| HOLD | G | TB1-1 | Spare 1 § |
| RING | R | PSB-9 | Spare 1 § |
| LSc† | BR | TB1-1 | TB1-6 |
| Net. L2‡ | R-BL | TB1-1 | TB1-6 |

Note: Tables B through E provide speakerphone connections for 1A1 and 1A2 KTS. The same tables apply for 1A KTS.

* Insulated and stored.

† Only required when busy-lamp option is provided.

‡ Only required when both busy-lamp and speakerphone options are provided.

§ Connect to same spare terminal or D-161488 connector.

◆TABLE L◆

CONNECTIONS FOR D-180818 KIT OF PARTS

| D-KIT SWITCH LEADS | | TERMINAL POSTS FOR SWITCH LEAD CONNECTORS (NOTE 3) | |
|-----------------------|-------------------|-------------------------------------------------------|-------------------------------------------------|
| DESIG. | COLOR (NOTE 1) | RECORD DISABLE ONLY | RECORD DISABLE AND DIAL INTERMIX (NOTE 2) |
| WDC | BK† | * | 1 |
| VDD | R | 2 | 2 |
| RCD | BK | 3 | 3 |

Note 1: These are connectors attached to the switch leads. A single pin connector with a (BK) lead and a double pin connector with a (R) and a (BK) lead.

Note 2: When this option is provided, the LAST NUMBER DIALED (LND) feature is disabled and the 32nd memory may be used just as any other memory.

Note 3: These terminal posts are found on the 870B Memory (Fig. 6).

* Insulate and store.

† Single pin connector.

TABLE M
CONVERSION OF KEYS FOR SIGNALING

| SELECTIVE SIGNALING | | | | | | | |
|-----------------------------|-------------|-------|--------|-------|-------|-------|-------|
| 508 PLUG | COLOR: | BLUE | ORANGE | GREEN | BROWN | SLATE | |
| | PIN NO: | 2 | 2 | 2 | 2 | 2 | 1 |
| | LEAD COLOR: | W | R | BK | Y | V | S |
| Key Functions† | HPPPPP | TB1-3 | TB1-2 | TB1-2 | TB1-2 | TB1-2 | TB1-4 |
| | HPPPPS | TB1-3 | TB1-2 | TB1-2 | TB1-2 | TB1-5 | TB1-4 |
| | HPPSSS | TB1-3 | TB1-2 | TB1-2 | TB1-5 | TB1-5 | TB1-4 |
| | HPPSSS | TB1-3 | TB1-2 | TB1-5 | TB1-5 | TB1-5 | TB1-4 |
| COMMON SIGNALING (SEE NOTE) | | | | | | | |
| 508 PLUG | COLOR: | BLUE | ORANGE | GREEN | BROWN | SLATE | |
| | PIN NO: | 2 | 2 | 2 | 2 | 2 | 1 |
| | LEAD COLOR: | W | R | BK | Y | V | S |
| Key Functions† | HPPP*P*S | TB1-3 | TB1-3 | TB1-2 | TB1-2 | TB1-2 | TB1-3 |
| | HPP*P*P*S | TB1-3 | TB1-2 | TB1-2 | TB1-2 | TB1-2 | TB1-3 |

Note: Remove (BK) strap from TB1-3, insulate and store.

*These arrangements use line switch controlled ground for common signal key, used with private or intercommunicating lines. Common signals should be used to operate a common signal relay. Do not wire directly to a buzzer.
†Remove pins to make key nonlocking when used for signaling.

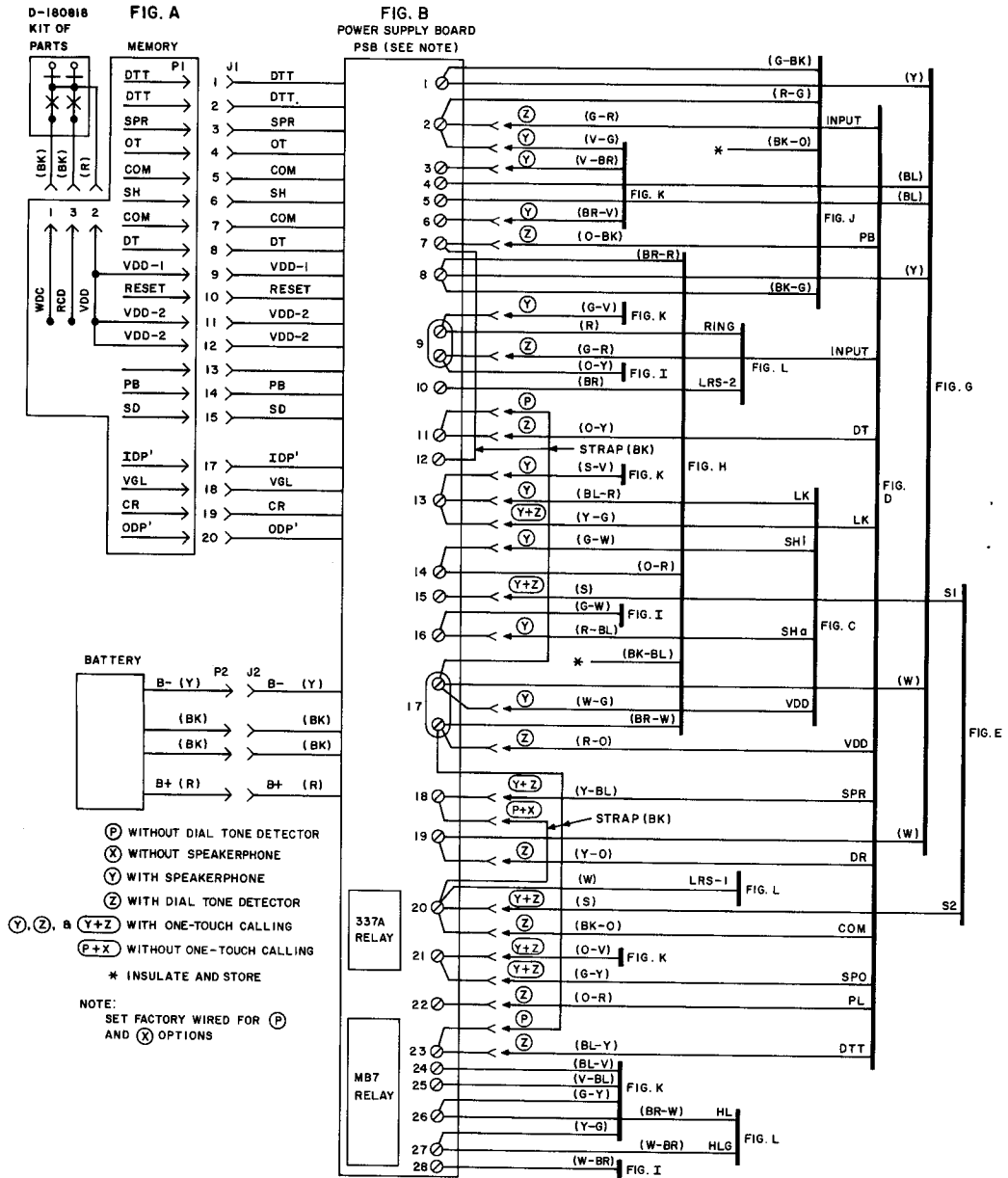


Fig. 9—872A1M Telephone Set, Connections (Sheet 1 of 4)

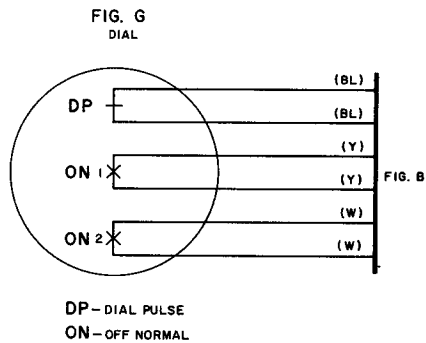
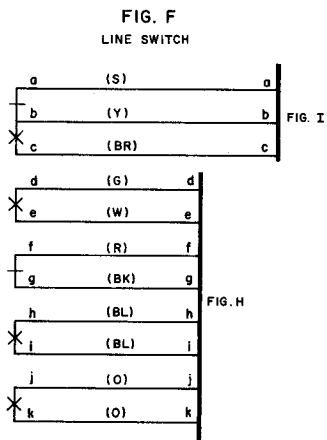
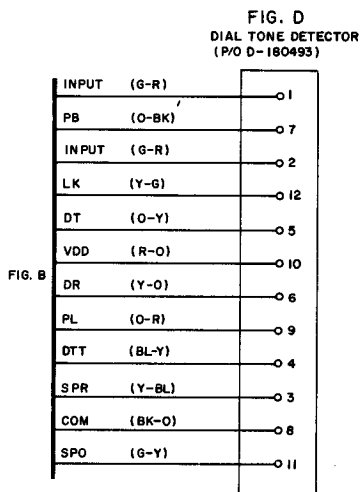
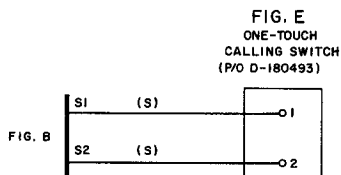
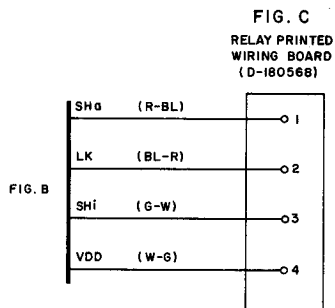


Fig. 9—872A1M Telephone Set, Connections (Sheet 2 of 4)

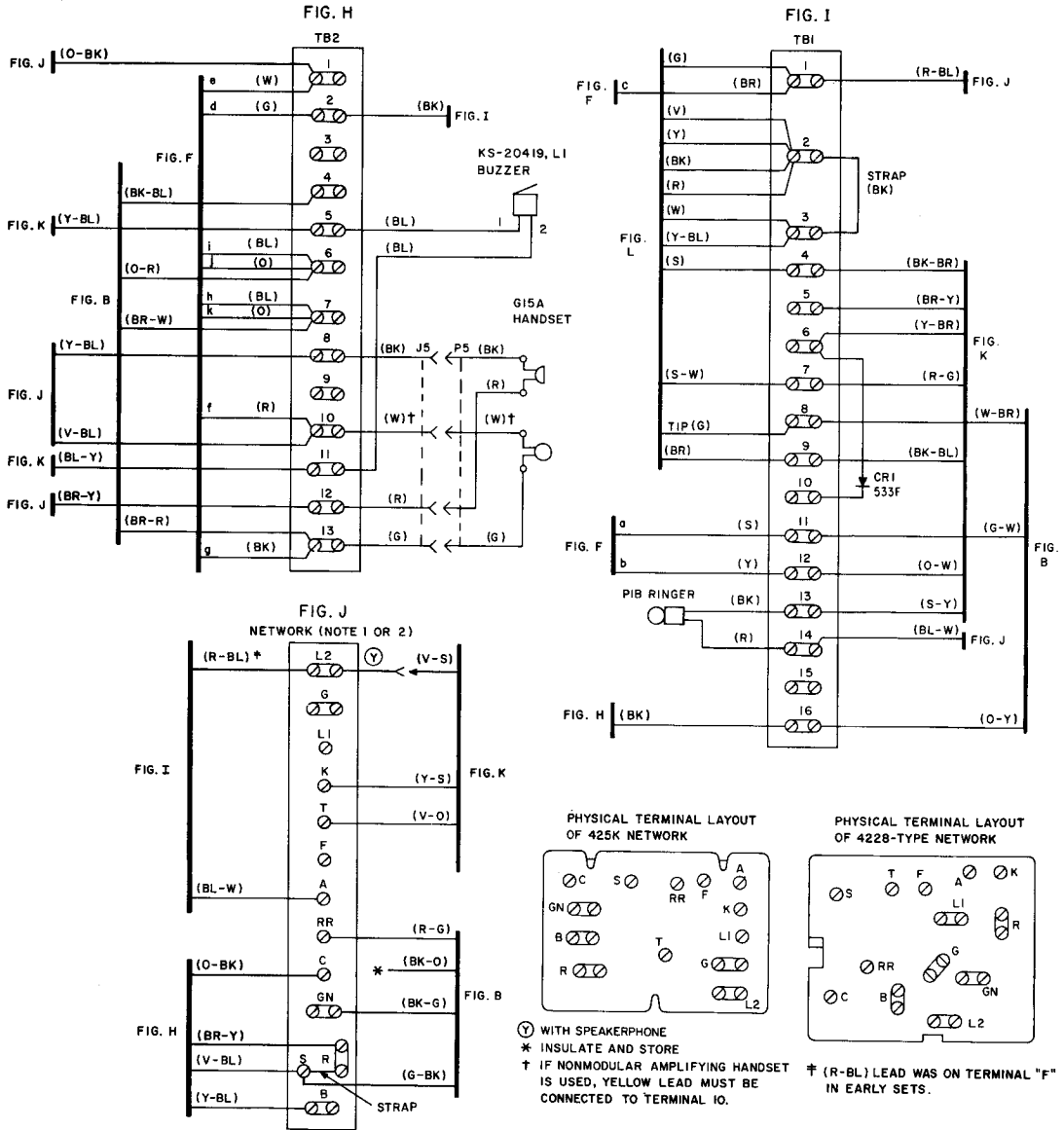


Fig. 9—872A1M Telephone Set, Connections (Sheet 3 of 4)

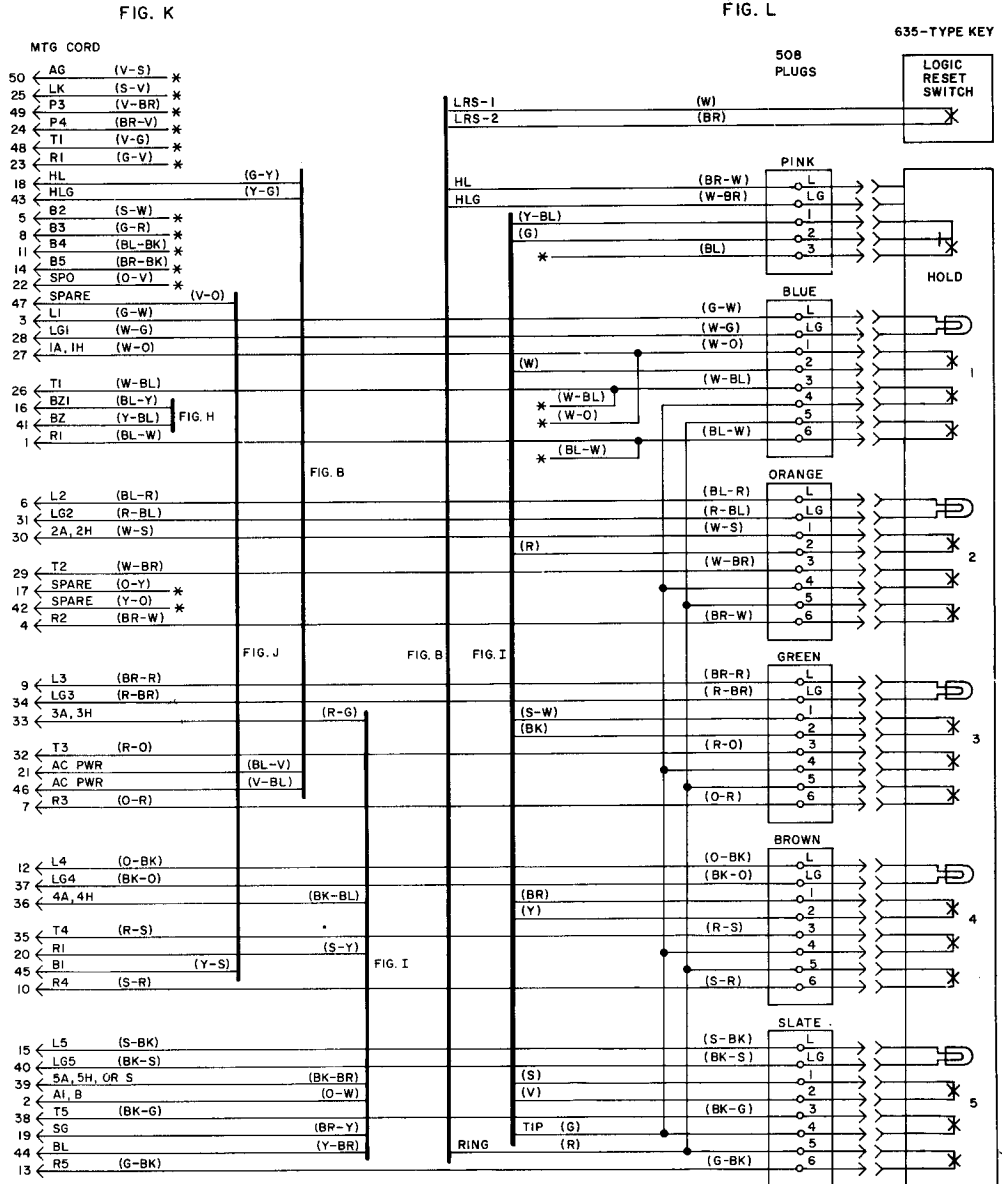


Fig. 9—872A1M Telephone Set, Connections (Sheet 4 of 4)

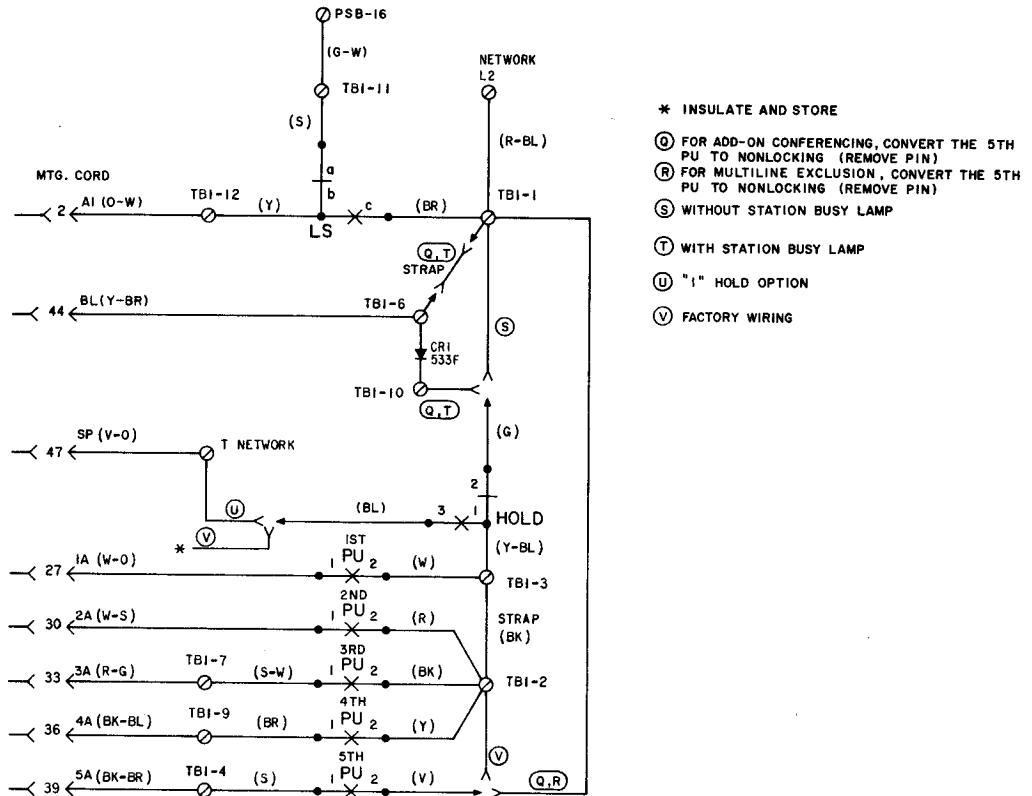


Fig. 10—“1” Hold, Exclusion, Station Busy Lamp, and Add-On Conference—1A1 and 1A2 KTS (Showing 5th Key Modified)

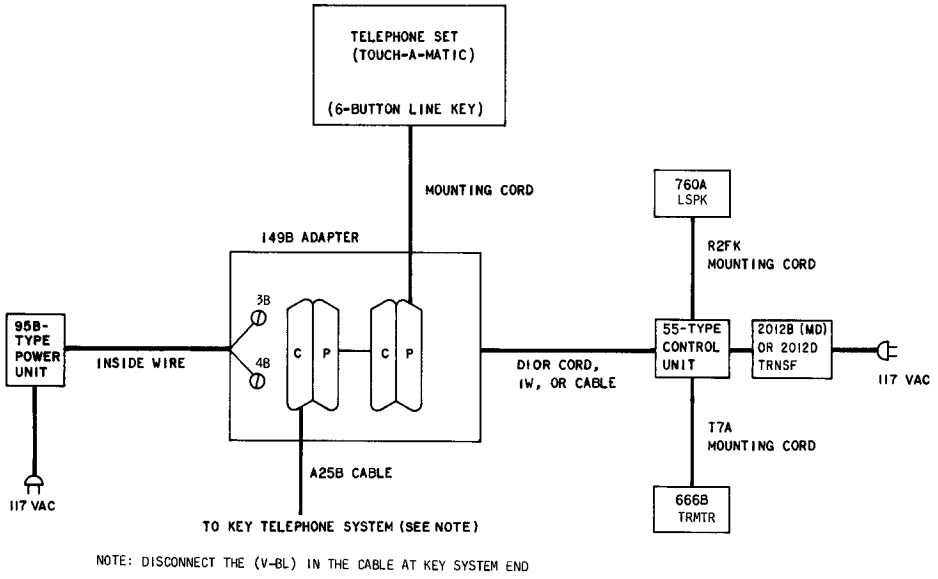
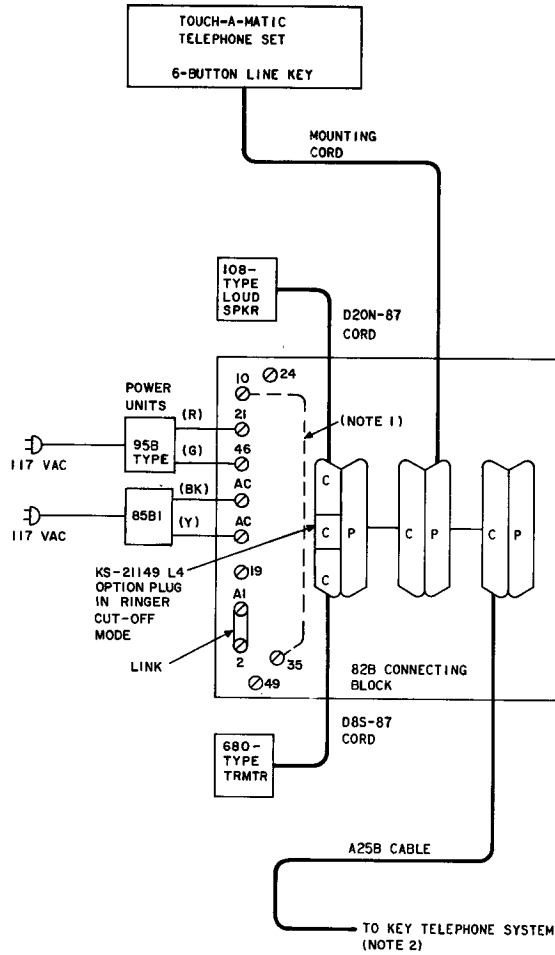


Fig. 11—Block Diagram—872A1M Telephone Set Using 3B (MD) Speakerphone



NOTES:

1. STRAP NECESSARY ONLY IF SET IS ALSO EQUIPPED WITH DIAL TONE DETECTOR TO PROVIDE ONE-TOUCH CALLING OPTION.
2. IF POWER IS PROVIDED THROUGH KEY CABLE, USE (BR-V) PAIR FOR 85-TYPE POWER UNIT AND STRAP 24 TO AC1 AND 49 TO AC2 ON 82B CONNECTING BLOCK.

Fig. 12—Block Diagram—872A1M Telephone Set Using 4A Speakerphone

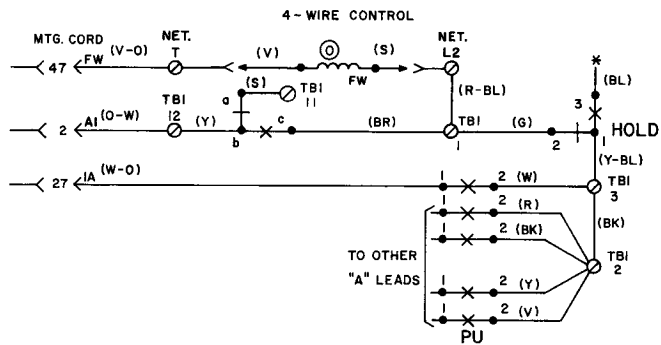
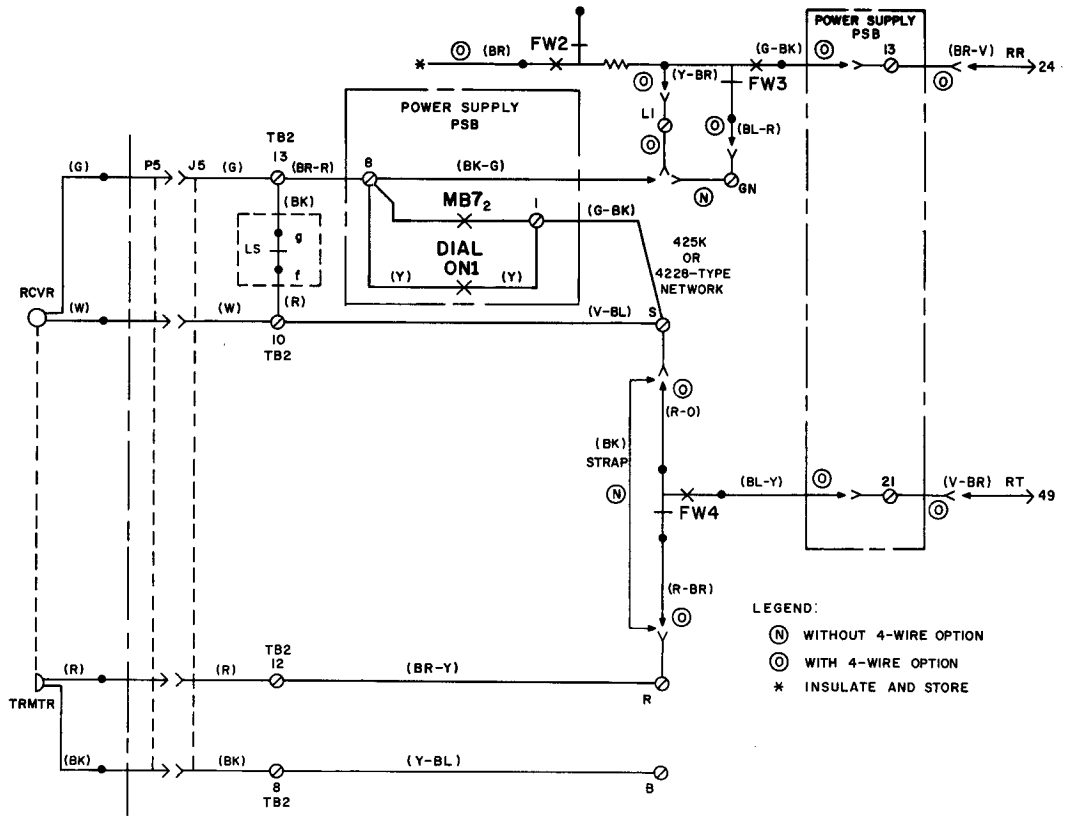
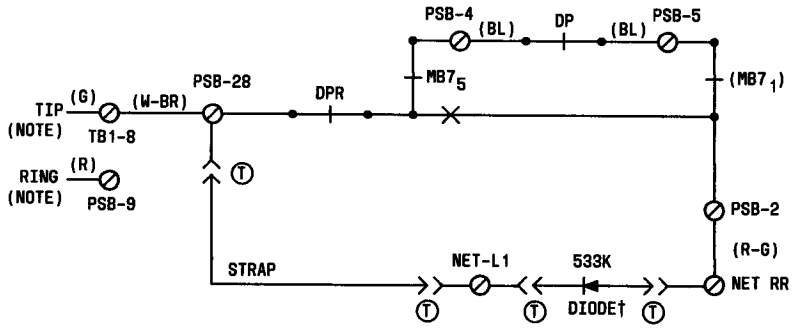


Fig. 13—872A1M Telephone Set—2/4 Wire Connections



† ORDERED AND INSTALLED SEPARATELY

Ⓣ - WITH RESTRICTED DIALING

NOTE: REVERSE POLARITY ON TIP AND RING LEADS ON ALL LINES WITH RESTRICTED DIALING.

Fig. 14—Connections for Restricted Dialing Option

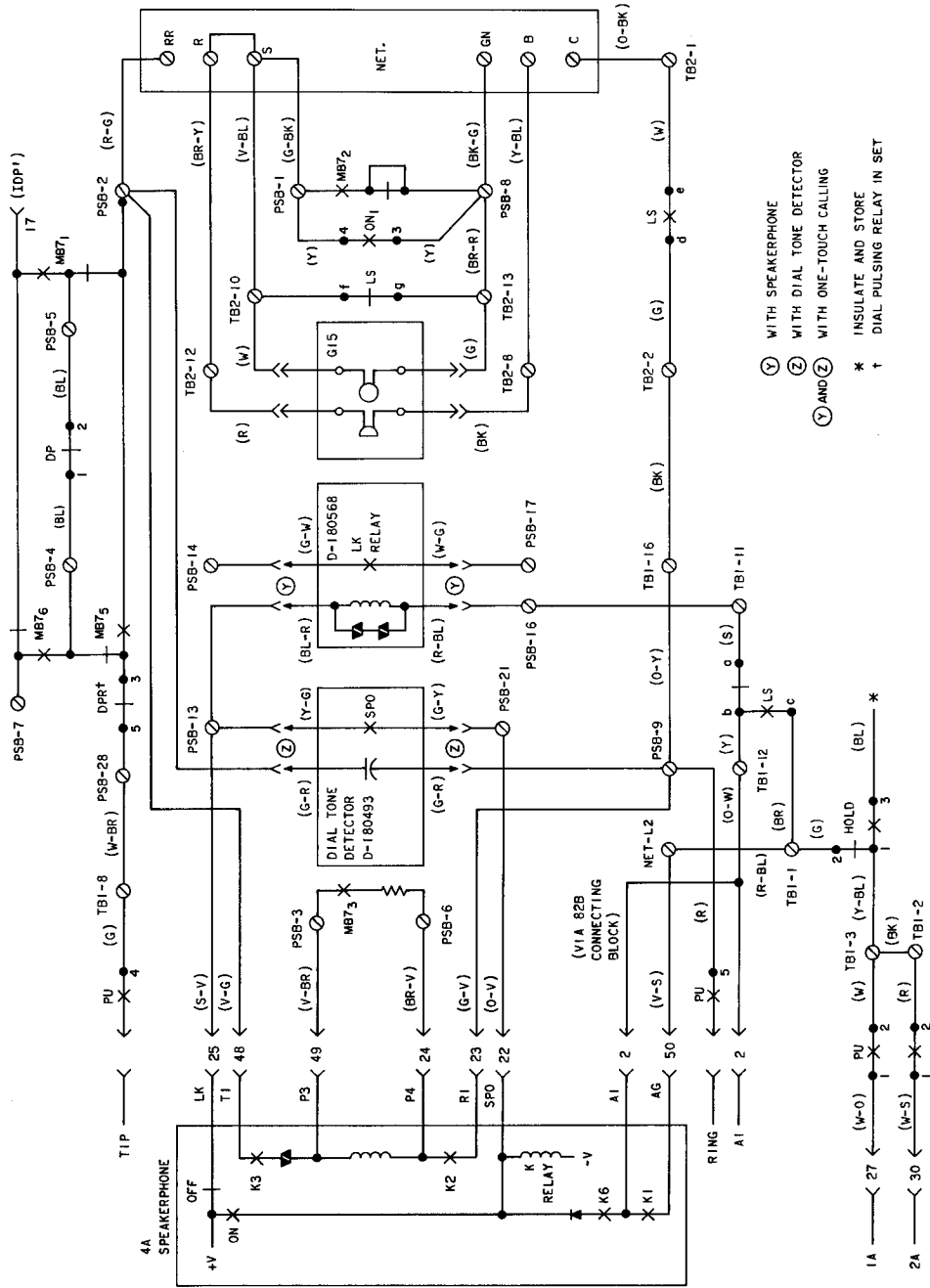


Fig. 15—872A1M Telephone Set, Partial Functional Schematic

◆ TABLE N ◆
TROUBLE ANALYSIS — 872A1M

| TROUBLE NUMBER | FAILURE | ADDITIONAL SYMPTOM | POSSIBLE CAUSE | REMEDIAL ACTION |
|----------------|----------------------------------------------------|------------------------------------------------------------------------------------------------------------|-------------------------------------------------------------------------------|----------------------------------------------------------------------------------|
| 1 | Dead set on all lines when off-hook on handset | Line lamp does not come on when handset is taken off-hook. | Mounting cord improperly inserted at equipment end | Check cord insertion and connections |
| | | Line lamp comes on when handset is taken off-hook. Set remains dead when 95B power unit is disconnected. | Bad connection between handset and telephone set | 1. Check handset cord connections 2. Check handset jack connections |
| | | Dial tone is not present when speakerphone is on. | Defective receiver | Check handset |
| 2 | Dead set on all lines only when speakerphone is on | Dial tone is not present when speakerphone is on. | Open tip or ring lead at 635-type line key | Check leads and connections from contact strips |
| | | Line lamp comes on when handset is taken off-hook. Set becomes active when 95B power unit is disconnected. | Unknown | Replace telephone set.* |
| | | Set is active when off-hook on handset. | Improperly installed or defective memory | 1. Check connector cable insertion 2. Replace memory |
| 3 | Cannot transmit when off-hook on handset. | Set is active when off-hook on handset. | Defective PSB | Replace telephone set.* |
| | | Line lamp comes on. Dial tone present, but sidetone absent. | Improperly connected or defective speakerphone | 1. Check connections 2. See appropriate speakerphone BSP for trouble analysis |
| | | Line lamp comes on. Dial tone present, but sidetone absent. | Handset cord improperly inserted into either handset or jack in telephone set | Check handset cord and/or handset |
| | | | Defective transmitter | Replace transmitter or handset |
| | | | Defective 616B jack | Replace 616B jack |
| | | | Defective network | Replace telephone set.* |

*Refer to 6.02 (4)

◆ TABLE N (Contd) ◆
TROUBLE ANALYSIS—872A1M

| TROUBLE NUMBER | FAILURE | ADDITIONAL SYMPTOM | POSSIBLE CAUSE | REMEDIAL ACTION |
|-------------------------------------------------|-----------------------------------------------------------------------|------------------------------------------------------------------------------------------------------------------|------------------------------------------------|------------------------------------------------------------------------------------------------------|
| 4 | Cannot manually dial when off-hook on handset (dial tone is present). | Dialing clicks heard (in handset) when dial is returning. | Bridged set off-hook | Place bridged set on-hook |
| | | | Speakerphone improperly installed or defective | Check appropriate speakerphone BSP for analysis |
| | | | Improperly installed or defective rotary dial | 1. Check connections 2. Replace rotary dial |
| | | | Unknown | Replace telephone set* |
| 5 | Cannot manually dial when speakerphone is on. (Dial tone is present.) | No dialing clicks heard when dial is returning. Condition remains unchanged when 95B power unit is disconnected. | Improperly installed or defective memory | 1. Check connector cable 2. Replace memory |
| | | | Defective PSB | Replace telephone set* |
| | | | Improperly installed on defective speakerphone | 1. Check connections 2. See appropriate speakerphone BSP for trouble analysis |
| 6 | RECORD lamp does not function properly | RECORD lamp does not turn on when RECORD button is depressed. | Defective line switch | Replace telephone set* |
| | | | AC power not present | Check for commercial power |
| | | | Battery not connected | Connect battery |
| | | | 95B power unit not plugged in or defective | Check or replace 95B power unit (should read 13.4 to 18 Vac across screw terminals 24 and 25 on PSB) |
| | | | Open in IW | Check IW and connections |
| | | | Memory, RECORD OFF or WAIT button stuck down | Clear stuck button |
| | | | Defective logic reset switch | Replace line key |
| Switch of D-180818 Kit of Parts in ON position. | Change switch position to OFF | | | |

*Refer to 6.02 (4)

◆ TABLE N (Cont'd) ◆
TROUBLE ANALYSIS—872A1M

| TROUBLE NUMBER | FAILURE | ADDITIONAL SYMPTOM | POSSIBLE CAUSE | REMEDIAL ACTION | |
|----------------|------------------------------------------------------------------------------------------|-------------------------------------------------------|--------------------------------------------------------------------------------------------------------------------------|--------------------------------------------------------------------|---------------------------------------------------------------|
| 6 (cont'd) | | | Improperly installed or defective memory | 1. Check connector cable 2. Replace memory | |
| | | | Unknown | Replace telephone set* | |
| | | | Lamps turn off when any memory button is depressed. | Improperly installed or defective memory | 1. Check connector cable 2. Replace memory |
| | | | Unknown | Replace telephone set* | |
| | | | Lamp does not turn off as dial is returning. No relay click heard at beginning of dial wind-up or at end of dial return. | Improperly connected or defective rotary dial (off-normal contact) | 1. Check rotary dial connections 2. Replace telephone set* |
| 7 | Cannot record properly into the 31 memory positions or into LAST NUMBER DIALED position. | | Improperly connected or defective memory | 1. Check cable 2. Replace memory | |
| | | | Unknown | Replace telephone set* | |
| | | | Memory button was not depressed prior to the operation of the dial | Record per 5.01 (4) through (7) | |
| | | | Defective memory | Replace memory | |
| | | | Unknown | Replace telephone set* | |
| | | Record lamp functions properly and set dials manually | Defective memory | Replace memory | |
| | | Unknown | Unknown | Replace telephone set* | |

*Refer to 6.02 (4)

◆ TABLE N (Cont'd) ◆
TROUBLE ANALYSIS—872A 1M

| TROUBLE NUMBER | FAILURE | ADDITIONAL SYMPTOM | POSSIBLE CAUSE | REMEDIAL ACTION |
|----------------|----------------------------------------------|---------------------------------------------------------------------------------------------------------------------------------------------------------------------------------------|-------------------------------------------------------------------------|-----------------------------------------------------|
| 7 (cont'd) | | Party is reached when number is recorded as it is manually dialed; however, when number is subsequently dialed from memory, party is not reached — wrong number is dialed from memory | Check recording procedure | Record per 5.01 (4) through (7) |
| | | | Defective memory | Replace memory |
| | | | Unknown | Replace telephone set* |
| 8 | Cannot dial properly from memory on handset. | MB7 relay does not operate (no click heard) when memory button is depressed | Battery not connected | Connect battery |
| | | | Memory not securely mounted | Tighten memory mounting screws |
| | | | Improper and/or defective strap from PSB terminal 18 to PSB terminal 20 | Check and/or replace strap lead. See Fig. 9B |
| | | | Improper connection to or defective memory | 1. Check connector cable 2. Replace memory |
| | | | Unknown | Replace telephone set* |
| | | | WAIT button is stuck down or defective | Free stuck WAIT button or replace memory |
| 8 | Cannot dial properly from memory on handset. | MB7 relay operates (click heard) when memory button is depressed but no dialing clicks are heard. In addition, transmit and receive levels are very low. | Unknown | Replace telephone set* |
| | | | AC power outage for 24 hours or longer | Reestablish ac power and record numbers into memory |

*Refer to 6.02 (4)

▶ TABLE N (Cont'd) ◀
TROUBLE ANALYSIS—872A1M

| TROUBLE NUMBER | FAILURE | ADDITIONAL SYMPTOM | POSSIBLE CAUSE | REMEDIAL ACTION |
|----------------|--------------------------------------------------------------------------------------------|-----------------------------------------------------------------------------------------------------------|------------------------------------------------------|----------------------------------------------------------------------------------------------------------------------------------------------------------------------------------------------------------------------------------------------------------------------------------------------------------------|
| 8 (cont'd) | | | Defective battery | <ol style="list-style-type: none"> Allow the battery to be charged for a minimum of 5 minutes. Then momentarily remove the 95B power unit from the ac power outlet and reinsert If previously stored numbers are not dialed from memory, replace the battery Repeat procedure |
| | | | Defective memory | Replace memory |
| | | | Unknown | Replace telephone set* |
| | | Two or more memory locations have same digits which are usually different from originally recorded digits | Static discharge damage | <ol style="list-style-type: none"> Consult Telco Engineer for proper grounding procedure Replace memory |
| | | Automatically dials through a "wait" | Memory not securely mounted | Tighten memory mounting screws |
| | | | Improper connection to PSB terminal 23 | Check connection to and/or replace strap to PSB terminal 23 |
| | | | Defective memory | Replace memory |
| | | | Unknown | Replace telephone set* |
| | | | Battery not connected | Connect battery |
| | | | Precise TOUCH-TONE dial tone may not be present | Make sure precise (350 Hz and 440 Hz) dial tone is present |
| | | | Memory not securely mounted | Tighten memory mounting screws |
| | | | Improper installation of dial tone detector D-180493 | Check connections for D-180493 installation |
| 9 | Cannot dial properly from memory when on the handset (wired for dial tone detector option) | MB7 relay does not operate (no click heard) when memory button is depressed. | | |

*Refer to 6.02 (4)

◆ TABLE N (Cont'd) ◆
TROUBLE ANALYSIS—872A1M

| TROUBLE NUMBER | FAILURE | ADDITIONAL SYMPTOM | POSSIBLE CAUSE | REMEDIAL ACTION |
|----------------|------------------------------------------------------------------------------------------|-----------------------------------------------------------------------------------------------------------------------------------------------------------------------------------------------------------------------------------------------------------------------------------------------------------------------|-------------------------------------------------------------------------------------------------------------------------------------|------------------------------------------------------------------------------------------------------------------------------------------------------------------------------------------------------|
| 9 (cont'd) | | Same as above — Addition of strap lead between PSB terminals 20 and 23 does not correct problem Addition of strap lead between PSB terminals 20 and 23 corrects problem. | Improper connection to or defective memory Defective memory Defective dial tone detector | 1. Check connector cable 2. Replace memory Replace memory Replace D-180594 dial tone detector |
| | | Automatically dials through a "wait." | Unknown Memory not securely mounted | Replace telephone set* Tighten memory mounting screws |
| | | Speakerphone indicator lamp does not turn on, but line lamp is on. | Improper connection to PSB terminals 23 and 11 Handset off-hook | Check installation of D-180493 Kit of Parts Place handset on-hook |
| 10 | Cannot turn speakerphone on when ON button is depressed (wired for speakerphone option). | No dial tone heard, but indicator lamp turns on. With temporary strap lead added between PSB screw terminals 16 and 13, speakerphone turns on when ON button is depressed. With temporary strap lead added between screw terminals 11 and 12 on TBI, speakerphone turns on when ON button is depressed. | Line button not depressed Improper connections or defective D-180568 Kit of Parts | Depress line button Check connections to and/or replace D-180568 Kit of Parts |
| | | Speakerphone indicator lamp does not turn on and neither does line lamp | Defective line switch a-b contacts or connecting lead to power supply PSB. Improper connections or defective 85B1 power unit | 1. Check (G-W) harness lead between screw terminal 11 on TBI and PSB terminal 16 2. Replace telephone set* 1. Check for commercial power 2. Check connections per Tables B, C, D, and E |

*Refer to 6.02 (4)

◆ TABLE N (Contd) ◆
TROUBLE ANALYSIS—872A1M

| TROUBLE NUMBER | FAILURE | ADDITIONAL SYMPTOM | POSSIBLE CAUSE | REMEDIAL ACTION |
|----------------|-----------------------------------------------------------------------------------------------------------------------------------------|---------------------------------------------------------------------------------------------------------------------------------------------------------------------------------------------------------------------------------|-----------------------------------------------------------------------------------------------------------------------------------------|----------------------------------------------------------------------------------------------------------------------------------------------------------------------------------------------------------------------------------------------------------|
| 10 (contd) | | | | 3. Check that 85B1 power unit is plugged into commercial ac power outlet. 4. Check or replace 85B1 power unit (should read 18 to 25 Vac across "open circuited" secondary screw terminals). See appropriate speakerphone BSP for trouble analysis. |
| 11 | RECORD lamp does not turn off when speakerphone ON button is depressed (wired for speakerphone option). | With temporary strap lead added between PSB screw terminals 14 and 17, speakerphone turns on when ON button is depressed and RECORD lamp goes off. Operation of RECORD OFF button or line key buttons turns RECORD lamp off. | Defective speakerphone LK relay circuit defective on D-180568 Kit of Parts | Replace D-180568 Kit of Parts |
| 12 | Cannot turn speakerphone off when handset is lifted off-hook (wired for speakerphone option). | Speakerphone turns off when OFF button is depressed but turns back on when OFF button is released | Defective line switch h-i or j-k contacts Short circuit between screw terminals 11 and 12 on TB1 | Replace telephone set* Clear short |
| 13 | Cannot hear dial clicks when dialing with speakerphone on (wired for speakerphone option). | With the speakerphone ON button depressed, dialing clicks can be heard. | Defective line switch a-b contacts Physical spacing between speakerphone, loudspeaker and transmitter units is too close | Replace telephone set* See appropriate speakerphone BSP for proper placement of units |
| 14 | Speakerphone does not turn on when a memory button is momentarily depressed in the automatic dialing mode (wired for one-touch option). | MB7 relay does not operate (no click heard) when memory button is depressed With temporary strap between PSB screw terminals 15 and 20 speakerphone turns on when a memory button is depressed | Battery not connected With 4A speakerphone, strap not added on 82B block One-touch calling switch turned off or defective | Connect battery Add strap from terminal 10 to 35 in 82B block 1. Turn one-touch calling switch on 2. Replace one-touch calling switch assembly of D-180493 Kit of Parts |

*Refer to 6.02 (4)

◆ TABLE N (Cont'd) ◆
TROUBLE ANALYSIS—872A1M

| TROUBLE NUMBER | FAILURE | ADDITIONAL SYMPTOM | POSSIBLE CAUSE | REMEDIAL ACTION |
|----------------|--------------------------------------------------------------------------------------------------------------------------------------|----------------------------------------------------------------------------------------|---------------------------------------------------------------------------------------------------------------------|-------------------------------------------------------------------------------------------------------------------------------------------------------------------------------------------|
| 14 (cont'd) | | | Defective dial tone detector D-180493 Kit of Parts | Replace dial tone detector PWB assembly of D-180493 Kit of Parts |
| | | With temporary strap between PSB screw terminals 13 and 21, speakerphone turns on. | Defective connections between dial tone detector and PSB. Defective dial tone detector D-180493 Kit of Parts | Check (Y-G) and (G-Y) leads to PSB terminals 13 and 21, respectively Replace dial tone detector PWB assembly of D-180493 Kit of Parts |
| 15 | Speakerphone turns on but set does not automatically dial when memory button is depressed (Wired for one-touch option). | | (BK) strap leads to screw terminals 11 and 23 on PSB were not insulated and stored when option was wired | Insulate and store strap leads. |
| | | Set automatically dials when screw terminals 20 and 23 on PSB are temporarily shorted. | Precise TOUCH-TONE dial tone not present or a defective dial tone detector | 1. Check CO line for presence of precise TOUCH-TONE dial tone (350 Hz and 440 Hz) 2. If correct dial tone is present, replace dial tone detector PWB assembly of D-180493 Kit of Parts |
| 16 | Delay time between depression of a memory button and initiation of automatic dialing exceeds 3 seconds (wired for one-touch option). | | Defective timing circuit | 1. Replace memory 2. Replace dial tone detector PWB assembly of D-180493 Kit of Parts |

* Refer to 6.02 (4)

◆ TABLE N (Contd) ◆
TROUBLE ANALYSIS — 872A1M

| TROUBLE NUMBER | FAILURE | ADDITIONAL SYMPTOM | POSSIBLE CAUSE | REMEDIAL ACTION |
|----------------|---------------------------------------------------------------------------------------|----------------------------------------------------------------------------------------------------------------------------|-------------------------------------------------------------------------------------------|--------------------------------------------------------------------------------------------------------------------------------------------------------------------------------------|
| 17 | Cannot turn speakerphone OFF (wired for one-touch calling) | Speakerphone turns off when OFF button is depressed but turns on when OFF button is released. | (BK) strap to screw terminal 18 on FSB was not insulated and stored when option was wired | Insulate and store strap lead |
| | | Speakerphone turns off and stays off when (Y-BL) lead is disconnected from terminal 18 on FSB and OFF button is depressed. | Defective output logic level | Replace memory |
| 18 | Set dials automatically but does not wait for dial tone (wired for one-touch calling) | Speakerphone turns off when handset is taken off-hook but turns on when handset is placed on-hook. | Defective circuit of D-180493 Kit of Parts | Replace dial tone detector PWB assembly of D-180493 Kit of Parts |
| | | | Noise on line | 1. Add .5 mf capacitor between PSB-17 and PSB-23 2. Remove above capacitor and add resistor (10 K Ω to 50 K Ω) in series with (G-R) dial tone detector input lead. |
| 19 | Automatic dialing commences for no apparent reason (wired for one-touch calling) | | Static discharge damage | 1. Consult Telco Engineer for proper grounding procedure 2. Replace memory |
| 20 | Hum or noise caused by electrical apparatus (light dimmer switch, etc.) | | Unbalanced telephone line | Check for unintentional connections that might cause an unbalanced telephone line. |